



US00D916566S

(12) **United States Design Patent** (10) **Patent No.:** **US D916,566 S**
Lacotta et al. (45) **Date of Patent:** **** Apr. 20, 2021**

(54) **LADLE**

(71) Applicants: **Paul Lacotta**, Tenafly, NJ (US); **Lance Hazelton**, Maplewood, NJ (US); **Phillip Shook**, Brooklyn, NY (US)

(72) Inventors: **Paul Lacotta**, Tenafly, NJ (US); **Lance Hazelton**, Maplewood, NJ (US); **Phillip Shook**, Brooklyn, NY (US)

(73) Assignee: **Helen of Troy Limited**, St. Michael (BB)

(**) Term: **15 Years**

(21) Appl. No.: **29/702,337**

(22) Filed: **Aug. 19, 2019**

(51) **LOC (13) Cl.** **07-02**

(52) **U.S. Cl.**
USPC **D7/691**

(58) **Field of Classification Search**
USPC D7/368, 669, 680–696
CPC A47J 43/28; A47J 43/00; A47J 43/281;
A47J 43/284; A47J 43/288
See application file for complete search history.

(56) **References Cited**

U.S. PATENT DOCUMENTS

D268,244 S *	3/1983	Morin	D7/691
D323,768 S *	2/1992	Friederichs	D7/691
D440,130 S *	4/2001	Armstrong	D7/691
D478,484 S *	8/2003	Bull	D7/691
D487,678 S *	3/2004	Overthun	D7/691
D496,564 S *	9/2004	Laib	D7/691
D552,941 S *	10/2007	McRorie	D7/691
D681,404 S *	5/2013	Cotter	D7/691
D693,640 S *	11/2013	Sweet	D7/395
D751,353 S *	3/2016	Rose	D7/688
2009/0307912 A1 *	12/2009	Chapman A47J 43/281	30/327

FOREIGN PATENT DOCUMENTS

CN 202030287520.1 * 6/2020

OTHER PUBLICATIONS

Pro Chef Kitchen Tools Big Soup Ladle—Kitchen Ladles Spoon To Serve Hot Soups And Sauces Or Punch Bowl Cup—Heavy Duty Commercial Restaurant Quality Dishwasher Safe Stainless Steel Serving Utensil. Online, published date Oct. 4, 2014. Retrieved on Dec. 2, 2020 from URL: <https://www.amazon.com/Chef-Kitchen-Tools-Sou>.*

Buffalo S/S Soup Ladle. Online, published date unknown. Retrieved on Dec. 2, 2020 from URL: <https://www.buffalocookware.com/en-us/buffalo-s-3-s-soup-ladle-soupl>.*

OXO Good Grips Brushed Stainless Steel Ladle. Online, published date May 5, 2003. Retrieved on Dec. 2, 2020 from URL: <https://www.amazon.com/OXO-Grips-Brushed-Stainless-Steel/dp/B0001BMXKI?th=1>.*

OXO Good Grips Silicone Everyday Ladle. Online, published date Jan. 5, 2020. Retrieved on Dec. 2, 2020 from URL: https://www.amazon.com/OXO-Grips-Silicone-Everyday-Ladle/dp/B082WNQ8TB/ref=asc_df_B082WNQ8TB/?tag=hyprod-20&linkCode=df0&hvadid=416884224873&hvpos=&hvnetw=g&hvrnd=1574664257223886143&hvpone=&hvptwo=&hvqmt=.*

<https://www.oxo.com/silicone-ladle.html>, publicly available prior to Aug. 19, 2019.

* cited by examiner

Primary Examiner — Susan Bennett Hattan

Assistant Examiner — Omeed Agilee

(74) *Attorney, Agent, or Firm* — Rankin, Hill & Clark LLP

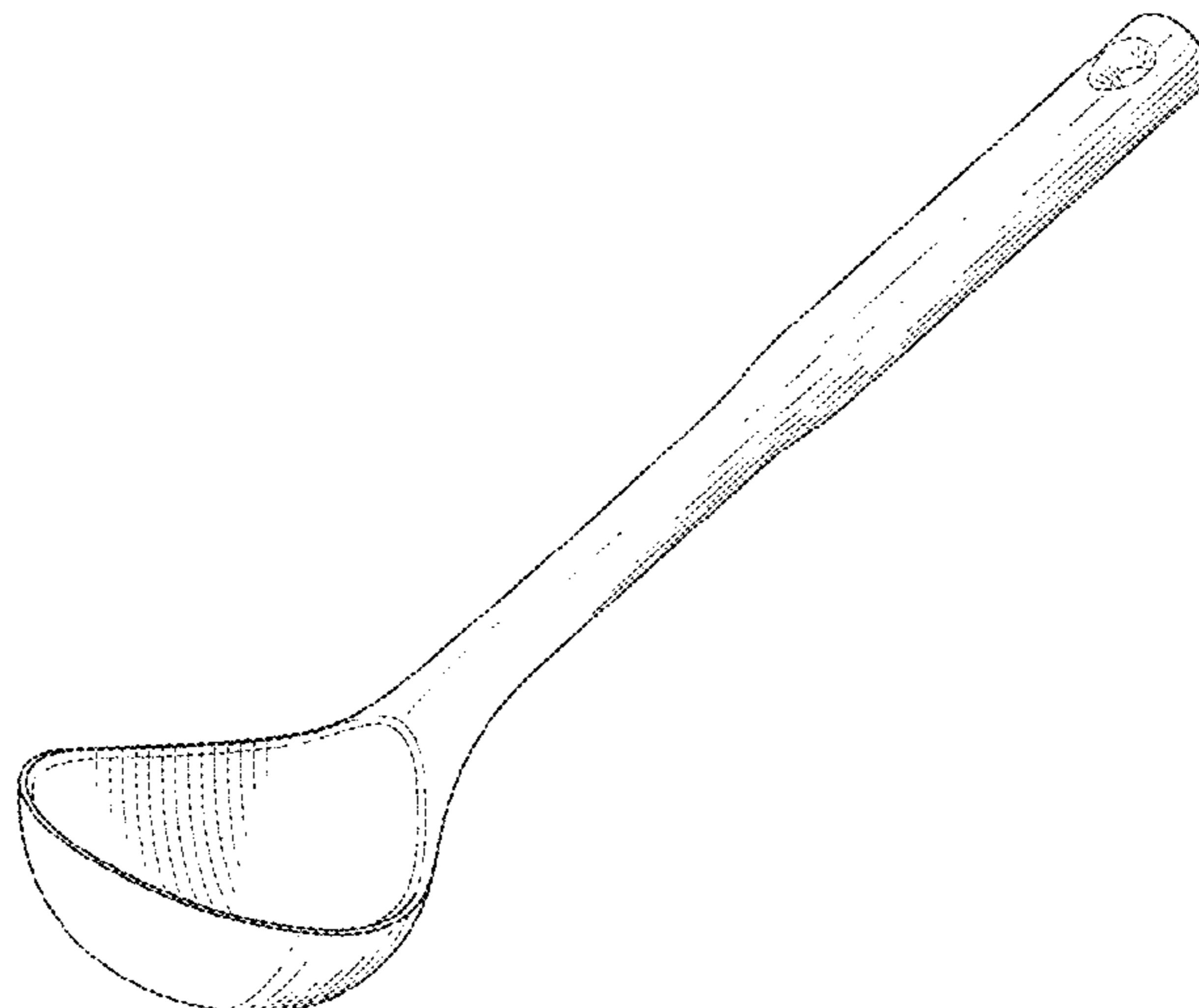
(57) **CLAIM**

The ornamental design for a ladle, as shown, and described.

DESCRIPTION

FIG. 1 is a perspective view of a ladle;
FIG. 2 is a front view thereof;
FIG. 3 is a rear view thereof;
FIG. 4 is a right elevation view thereof, the left elevation being a mirror image thereof;
FIG. 5 is a bottom plan view thereof; and,
FIG. 6 is a top plan view thereof.

1 Claim, 6 Drawing Sheets



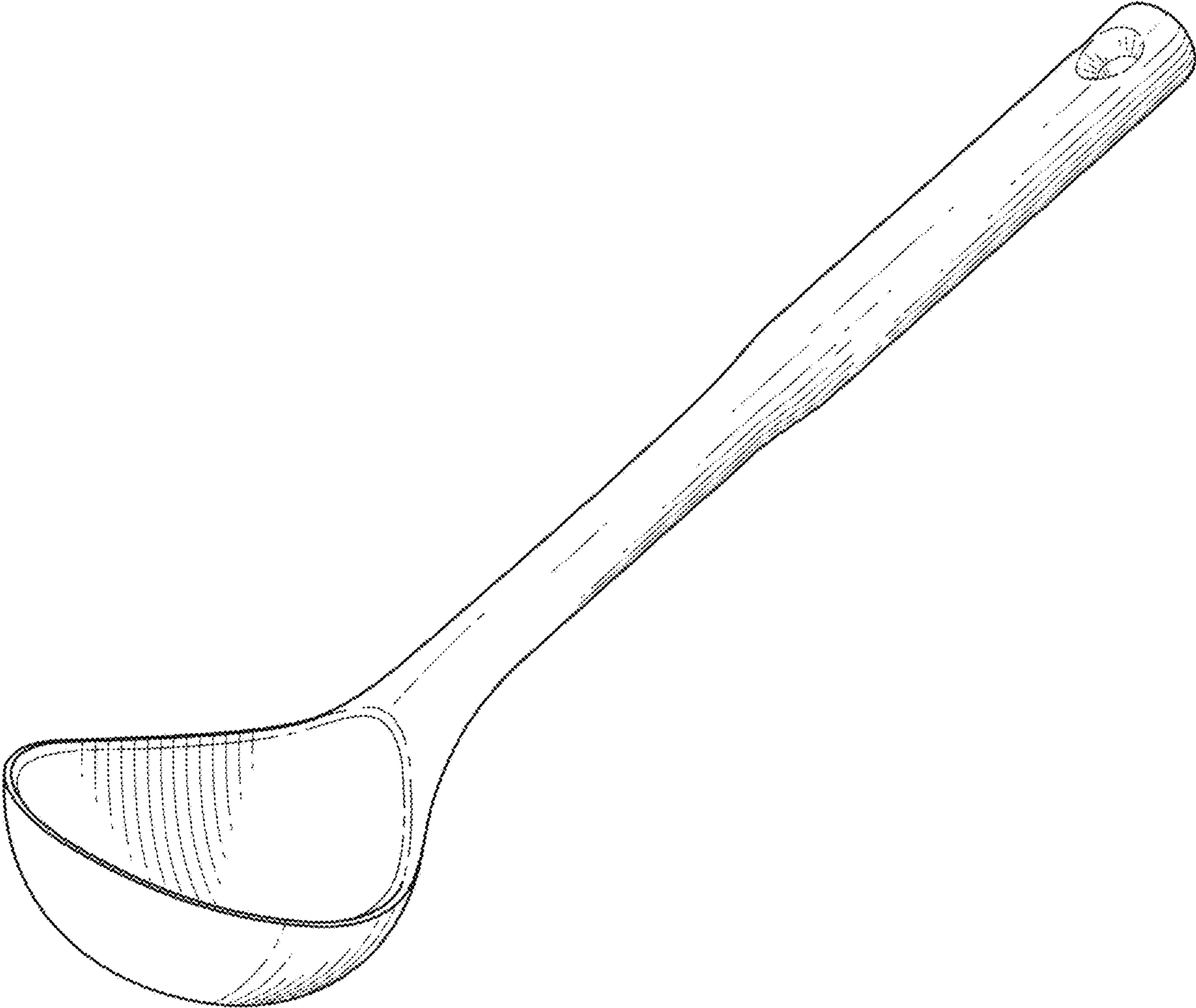


FIG. 1

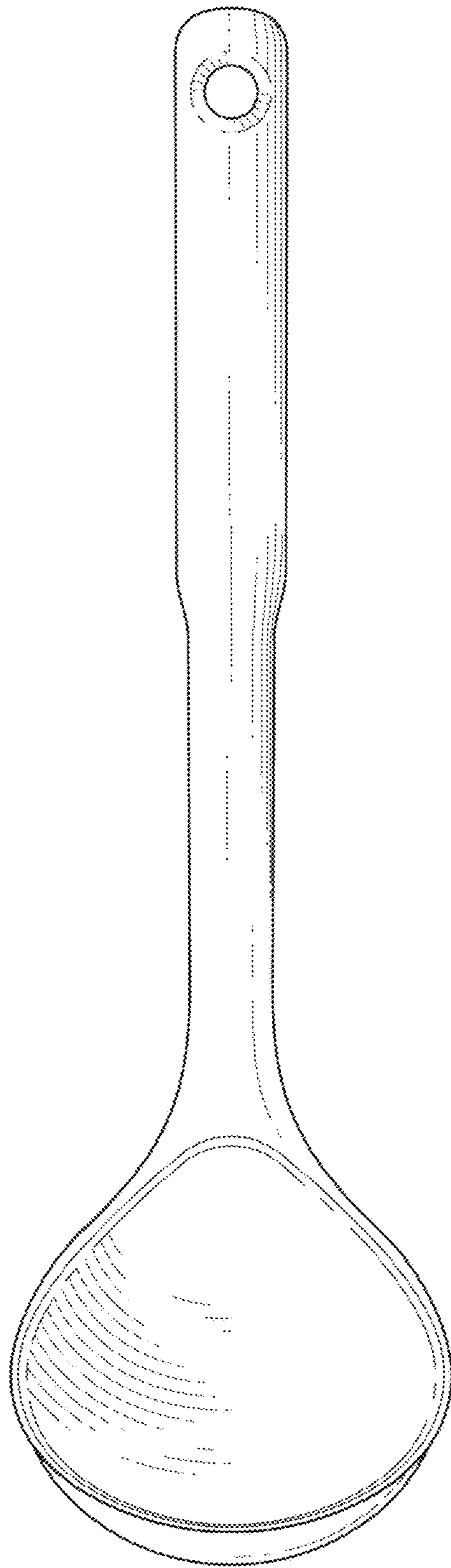


FIG. 2

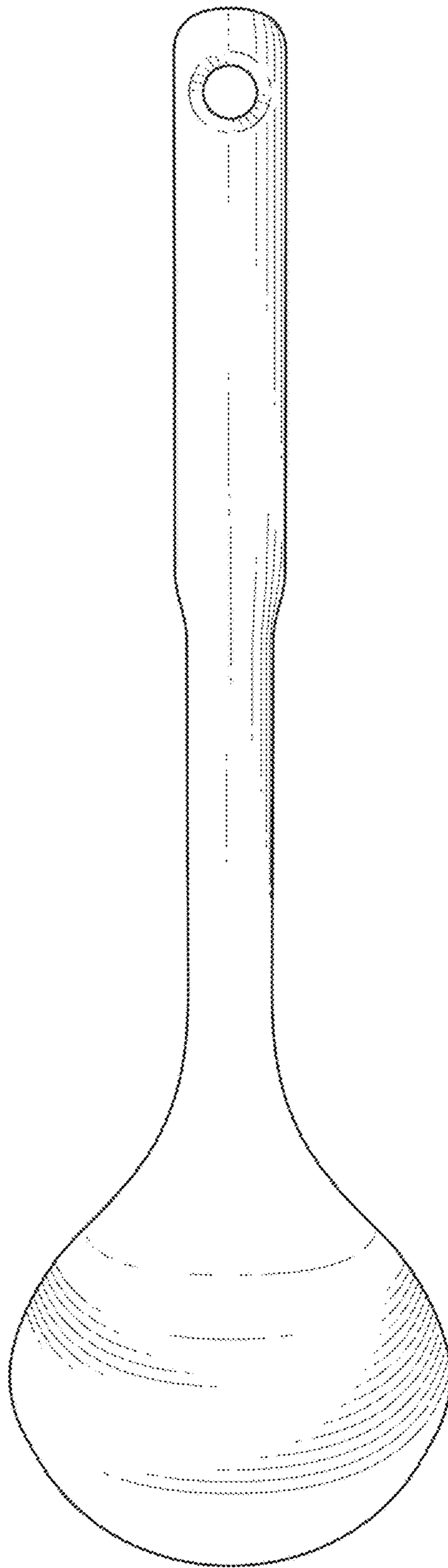


FIG. 3

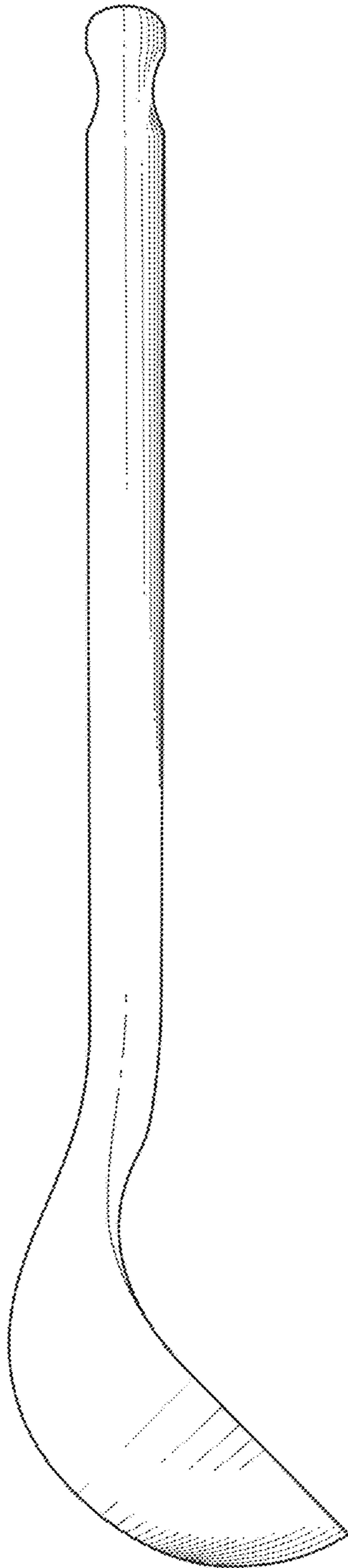


FIG. 4

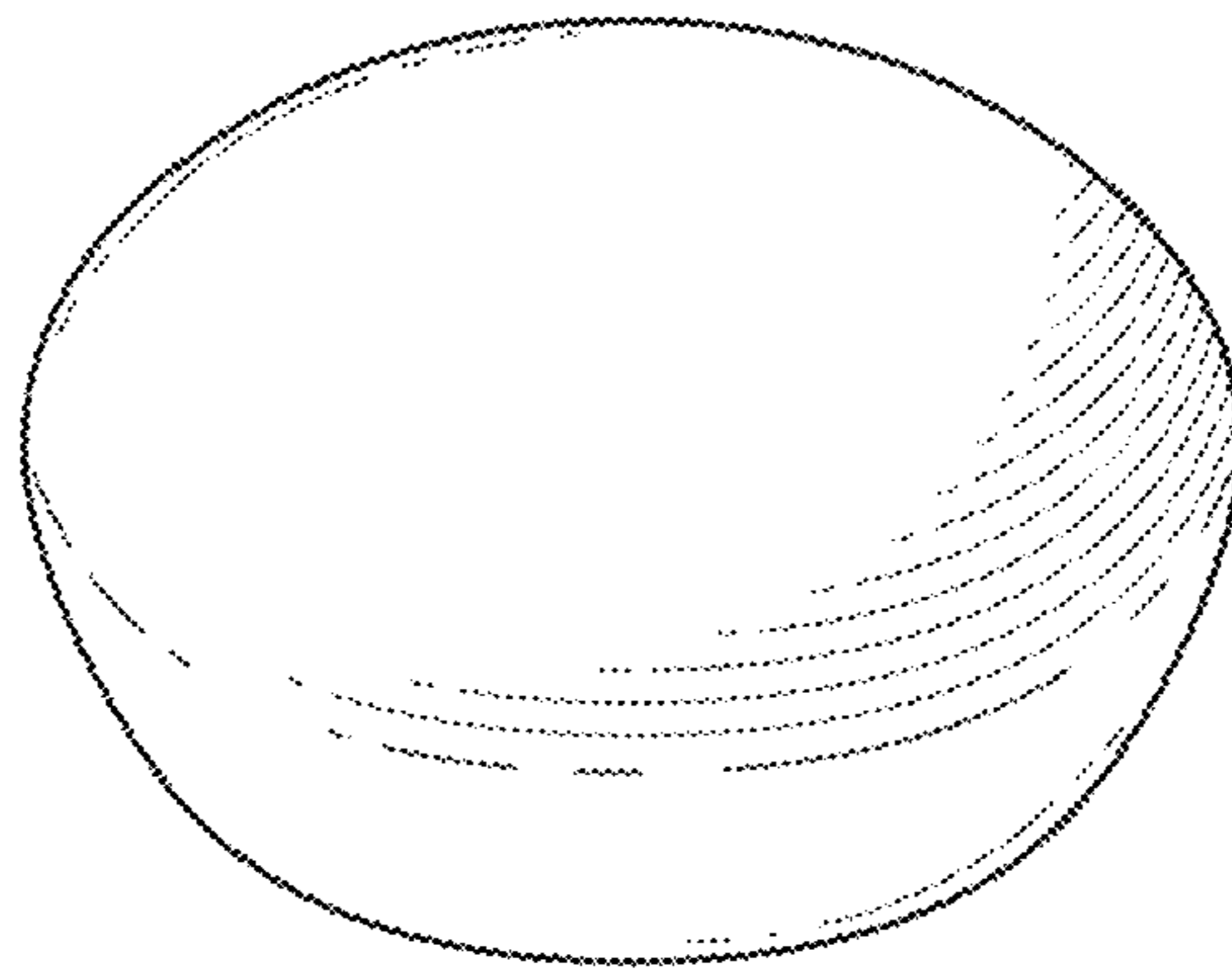


FIG. 5

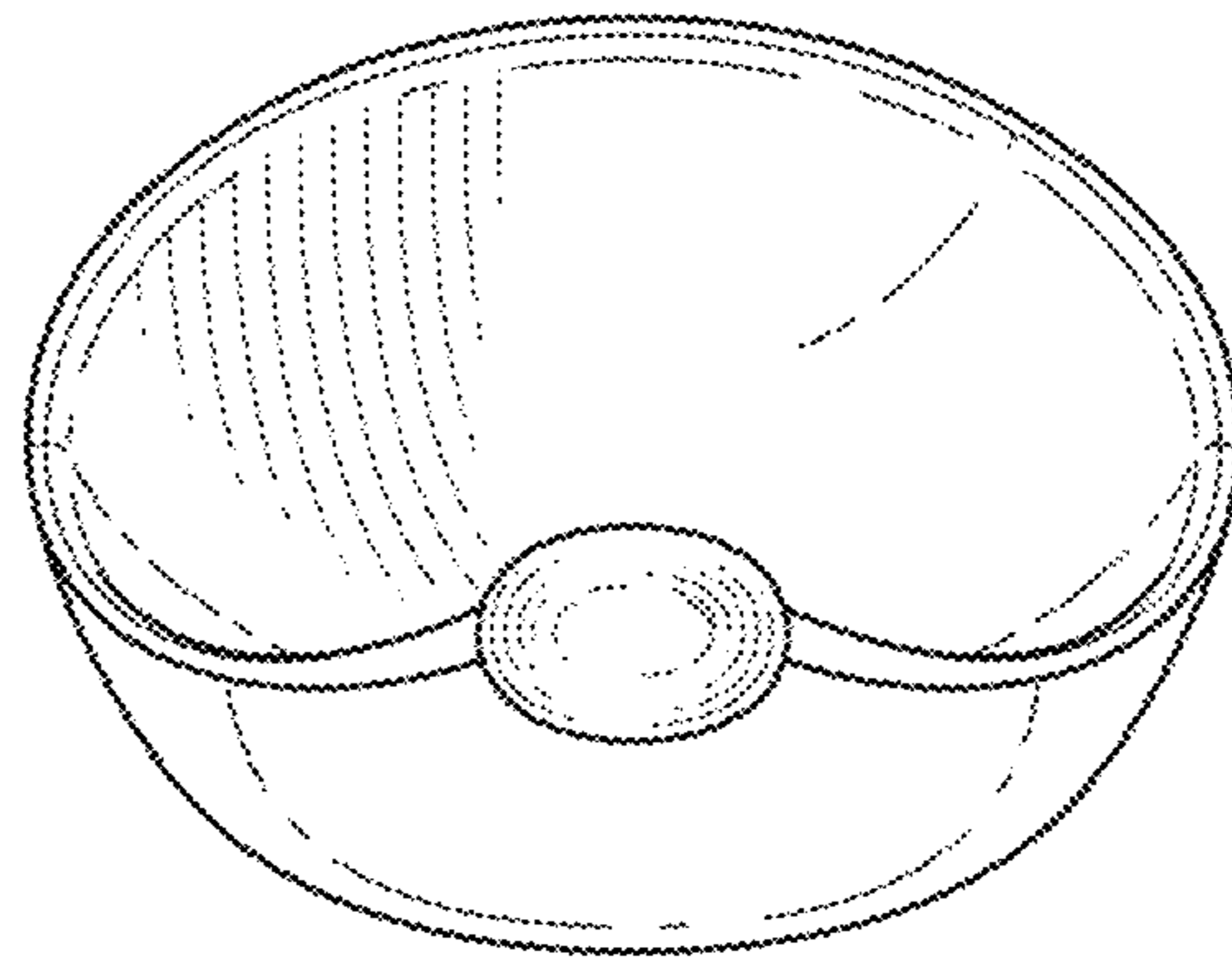


FIG. 6