



US00D916565S

(12) **United States Design Patent** (10) **Patent No.:** **US D916,565 S**
Wettlaufer et al. (45) **Date of Patent:** **** Apr. 20, 2021**

(54) **JUICING DEVICE**
(71) Applicant: **Goodnature Products, Inc.**, Orchard Park, NY (US)
(72) Inventors: **Eric Wettlaufer**, Buffalo, NY (US); **Christopher Flechtner**, Kyoto (JP)

2,068,013 A 1/1937 Fridlender et al.
2,087,435 A 7/1937 Hubbert
2,416,043 A 2/1947 Bucher-Guyer
2,612,100 A 9/1952 Bates
3,032,087 A 5/1962 Rodwick
(Continued)

(73) Assignee: **Goodnature Products, Inc.**, Orchard Park, NY (US)

FOREIGN PATENT DOCUMENTS
CH 359346 12/1961
CN 201115592 9/2008
(Continued)

(**) Term: **15 Years**

(21) Appl. No.: **29/750,607**

OTHER PUBLICATIONS

(22) Filed: **Sep. 15, 2020**

Norwalk. 2014. Model 280 Features. Retrieved on Oct. 9, 2015 from <http://www.norwalkjuicers.com/features/>.

(51) **LOC (13) Cl.** **31-00**

(Continued)

(52) **U.S. Cl.**

USPC **D7/665**

(58) **Field of Classification Search**

USPC D7/368, 665, 669, 323
CPC .. A23N 1/00; A23N 1/02; B30B 9/045; B30B 9/06; B30B 9/262; A47J 19/06; A47J 19/27; A47J 19/02; A47J 19/025
See application file for complete search history.

Primary Examiner — Terry A Wallace

(74) *Attorney, Agent, or Firm* — Knobbe, Martens, Olson & Bear LLP

(57) **CLAIM**

The ornamental design for a juicing device, as shown and described.

(56) **References Cited**

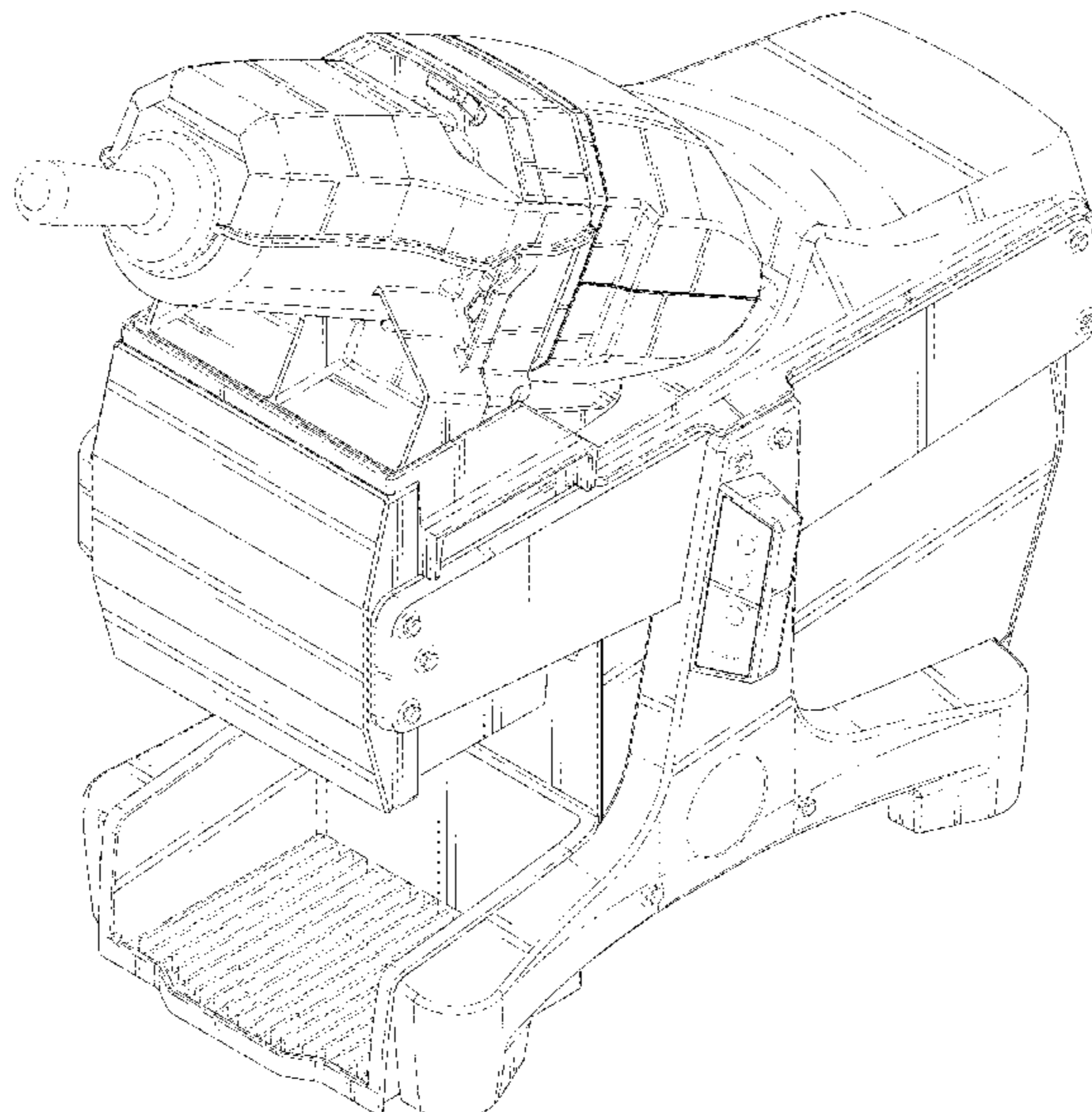
DESCRIPTION

U.S. PATENT DOCUMENTS

18,895 A 12/1857 Elberweiser
194,457 A 8/1877 Newsam
241,348 A 5/1881 Gilbert
250,979 A 12/1881 Russell
260,542 A 7/1882 Dannecker
630,669 A 8/1899 Green
729,807 A 6/1903 Stoveken et al.
929,717 A 8/1909 Self
982,516 A 1/1911 Marks
1,130,701 A 3/1915 Berrigan
1,131,032 A 3/1915 Berrigan
1,456,257 A 5/1923 Stevenson
1,841,413 A 1/1932 Macchia
2,022,679 A 12/1935 Leo

FIG. 1 is a top, front, left-side perspective view of a juicing device embodying our design;
FIG. 2 is a bottom, rear, right-side perspective view thereof;
FIG. 3 is a front view thereof;
FIG. 4 is a rear view thereof;
FIG. 5 is a right-side view thereof;
FIG. 6 is a left-side view thereof;
FIG. 7 is a top view thereof; and,
FIG. 8 is a bottom view thereof.
All features in broken line form no part of the claimed subject matter.

1 Claim, 8 Drawing Sheets



(56)

References Cited

U.S. PATENT DOCUMENTS

3,154,122	A	10/1964	Batchelor et al.	
3,162,384	A	12/1964	Wright	
3,334,790	A	8/1967	Eaton	
4,191,103	A	3/1980	Wettlaufer	
4,214,519	A	7/1980	Stollenwerk	
4,367,667	A	1/1983	Shibata	
4,393,737	A	7/1983	Shibata	
4,420,404	A	12/1983	Coate et al.	
4,456,185	A	6/1984	Ribassin et al.	
4,539,793	A	9/1985	Malek	
4,674,690	A	6/1987	Ponikwia et al.	
4,680,808	A	7/1987	Paleschuck	
4,730,555	A	3/1988	Blanchot	
4,778,117	A	10/1988	Karg	
4,892,665	A	1/1990	Wettlaufer	
4,986,912	A	1/1991	Fisch	
5,031,524	A	7/1991	Wettlaufer	
5,045,186	A	9/1991	Takashima	
5,146,848	A	9/1992	Dufour	
5,205,498	A	4/1993	Ostermeier et al.	
5,207,152	A	5/1993	Wettlaufer	
5,267,509	A	12/1993	Wettlaufer	
5,275,097	A	1/1994	Wettlaufer	
5,340,036	A	8/1994	Riley	
5,356,083	A	10/1994	Wettlaufer	
5,533,681	A	7/1996	Riley	
5,613,434	A	3/1997	Hartmann	
6,123,018	A	9/2000	Wettlaufer et al.	
6,159,527	A	12/2000	Wettlaufer	
6,422,138	B1	7/2002	Ballard	
6,457,403	B1	10/2002	Wettlaufer et al.	
7,337,996	B2	3/2008	Hanson et al.	
7,448,317	B2	11/2008	Pinnow	
7,607,599	B2	10/2009	Jara-Almonte et al.	
7,753,297	B2	7/2010	Hanson	
7,866,583	B2	1/2011	Jara-Almonte	
8,387,520	B2	3/2013	Backus	
8,578,846	B2	11/2013	Sherwood	
D725,439	S *	3/2015	Kim D7/665	
9,027,472	B2	5/2015	Bertocchi	
D774,848	S *	12/2016	Flotats Molinas D7/665	
9,763,470	B2	9/2017	Feinberg et al.	
9,844,229	B2	12/2017	Wettlaufer et al.	
9,888,802	B2	2/2018	Holzbauer et al.	
2008/0098908	A1	5/2008	Song	

2008/0116305	A1	5/2008	Hanson et al.	
2011/0185921	A1	8/2011	Lee	
2012/0037013	A1	2/2012	Bertocchi	
2012/0090478	A1	4/2012	Lin	
2013/0074708	A1	3/2013	Asbury et al.	
2014/0224137	A1	8/2014	Wettlaufer et al.	
2014/0306042	A1	10/2014	Chesack et al.	
2014/0314918	A1	10/2014	Wettlaufer et al.	
2015/0257435	A1	9/2015	Feinberg et al.	
2015/0359256	A1	12/2015	Wettlaufer et al.	
2015/0374025	A1	12/2015	Evans et al.	
2016/0199760	A1 *	7/2016	Wettlaufer B01D 29/353 210/232	
2017/0295982	A1	10/2017	Holzbauer et al.	
2018/0084818	A1	3/2018	Wettlaufer et al.	
2018/0103676	A1	4/2018	Wettlaufer et al.	
2018/0297310	A1	10/2018	Evans et al.	
2019/0159507	A1	5/2019	Wettlaufer et al.	
2019/0193359	A1	6/2019	Wettlaufer et al.	
2020/0367696	A1	11/2020	Wettlaufer et al.	

FOREIGN PATENT DOCUMENTS

CN	201245539	5/2009
CN	201604303	10/2010
CN	202515365	11/2012
CN	205727969	11/2016
EP	1364558	3/2005
EP	1632338	3/2006
FR	2806880	10/2001
JP	2006-094902	4/2006
JP	2015039493	3/2015
KR	20030004642	1/2003
WO	WO 2015/191738	12/2015
WO	WO 2019/108979	6/2019
WO	WO 2019/112901	6/2019
WO	WO 2019/126717	6/2019

OTHER PUBLICATIONS

Norwalk. 2014. Model 280 Technical Specifications. Retrieved on Oct. 9, 2015 from <http://www.norwalkjuicers.com/technical-specs/>.
International Search Report and Written Opinion in corresponding International Patent Application No. PCT/US20/34064, dated Aug. 14, 2020, in 9 pages.

* cited by examiner

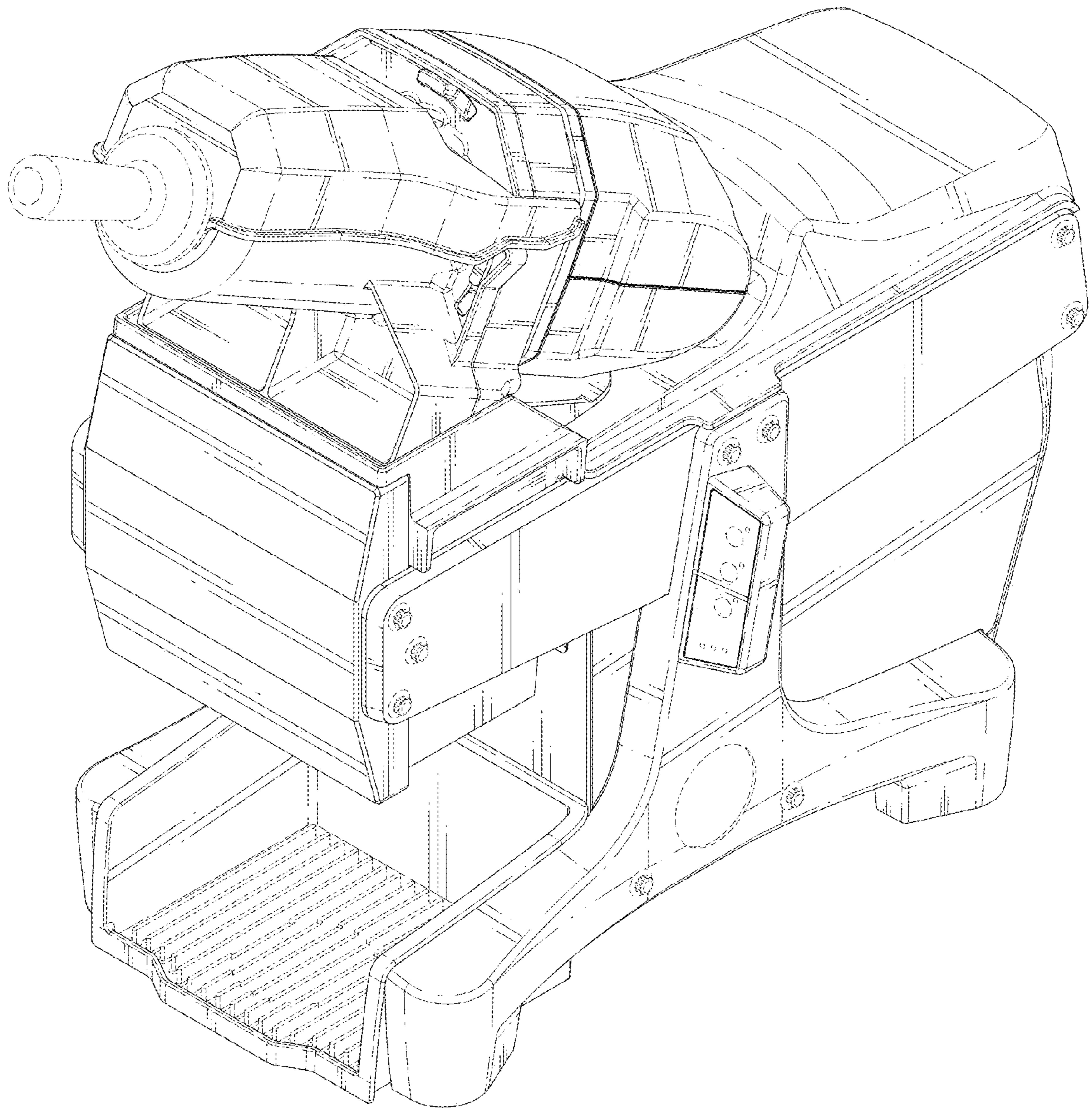


FIG. 1

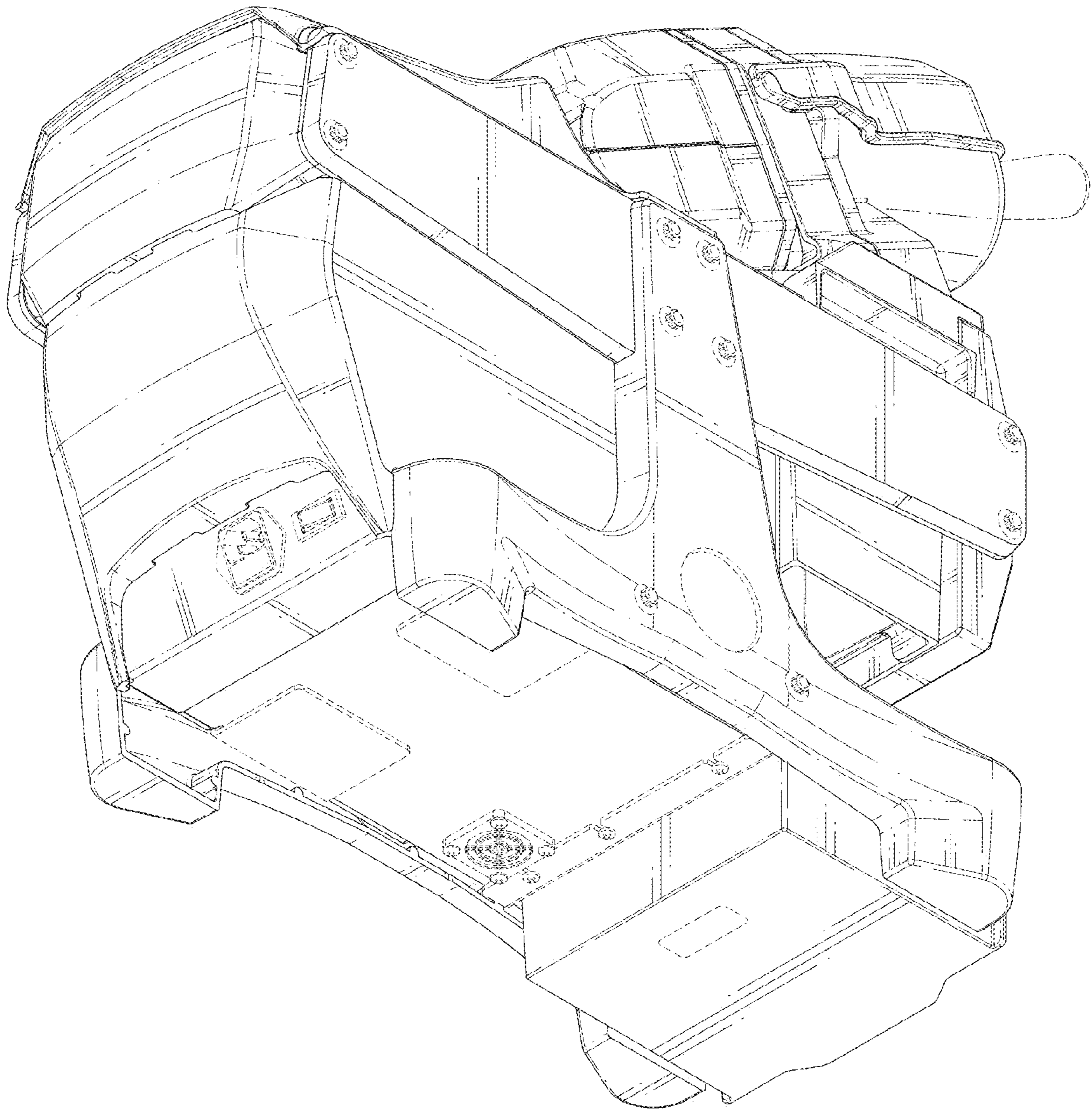


FIG. 2

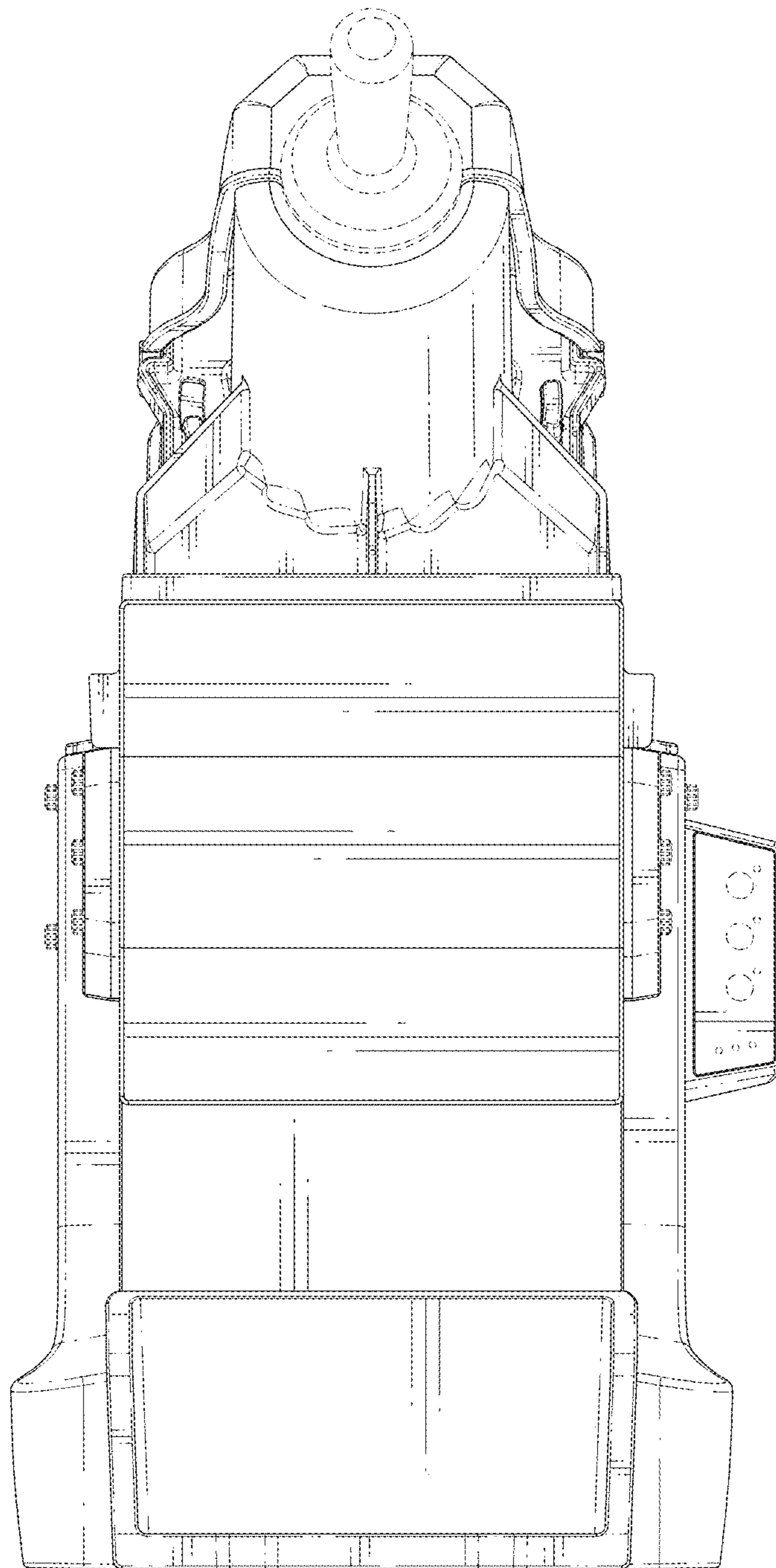


FIG. 3

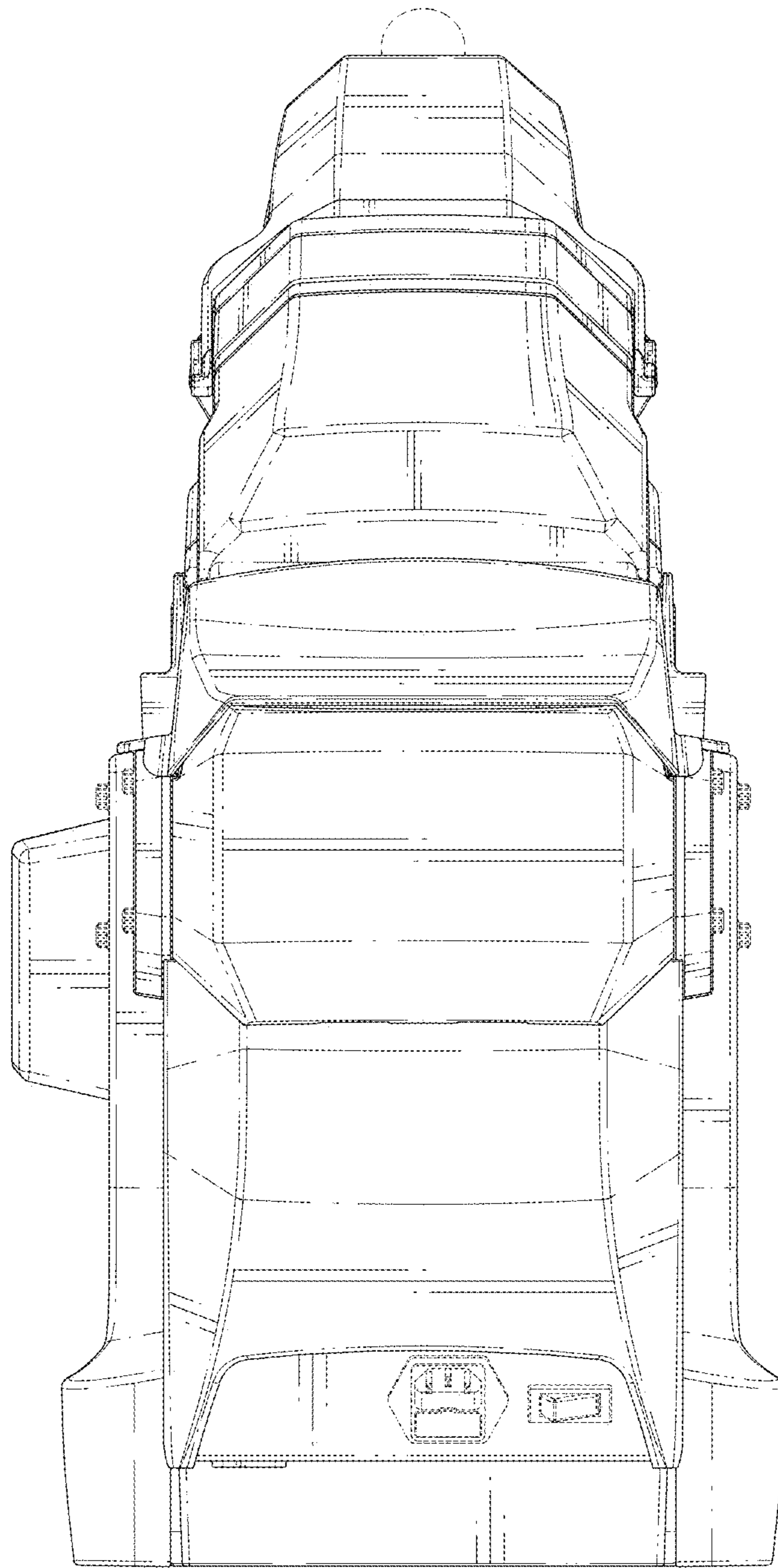


FIG. 4

FIG. 5

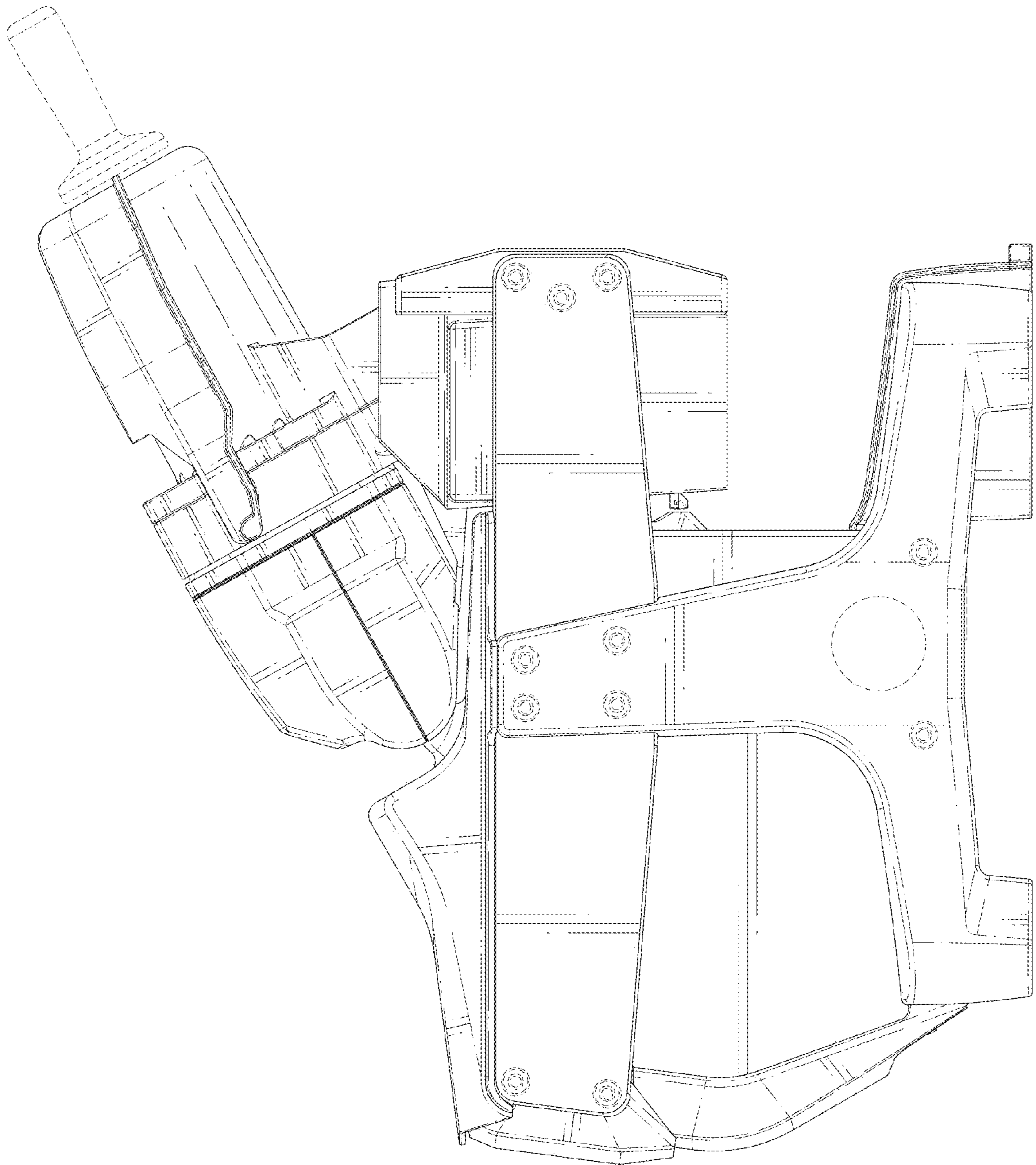
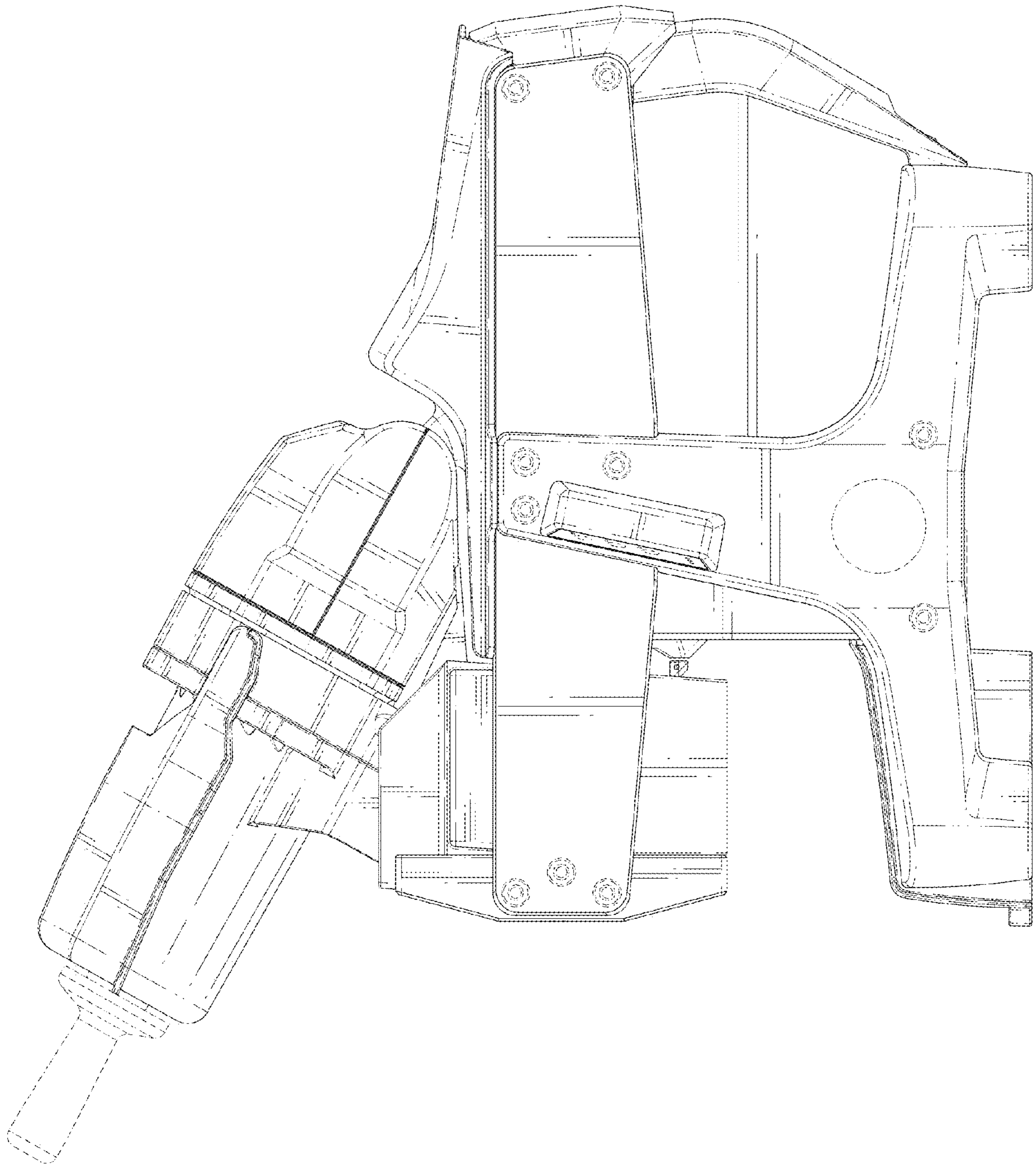


FIG. 6



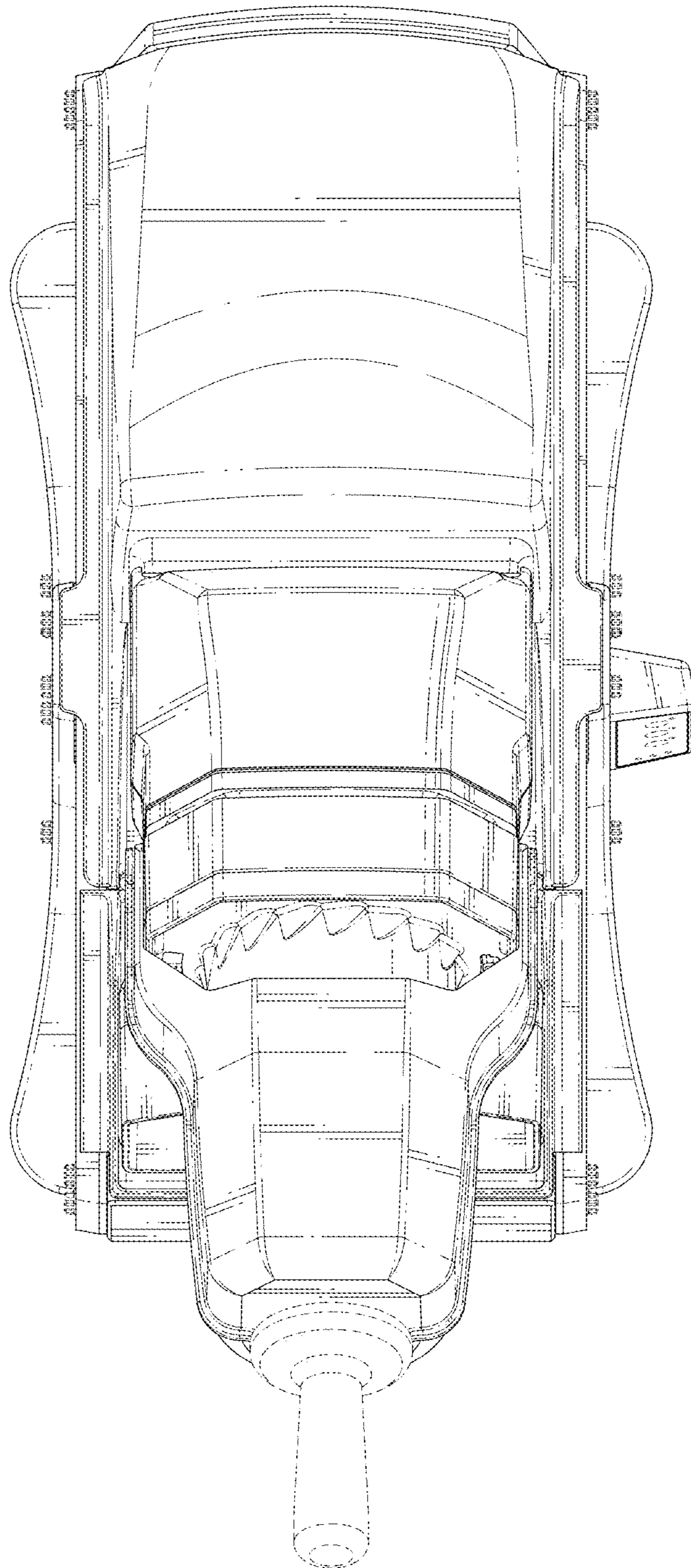


FIG. 7

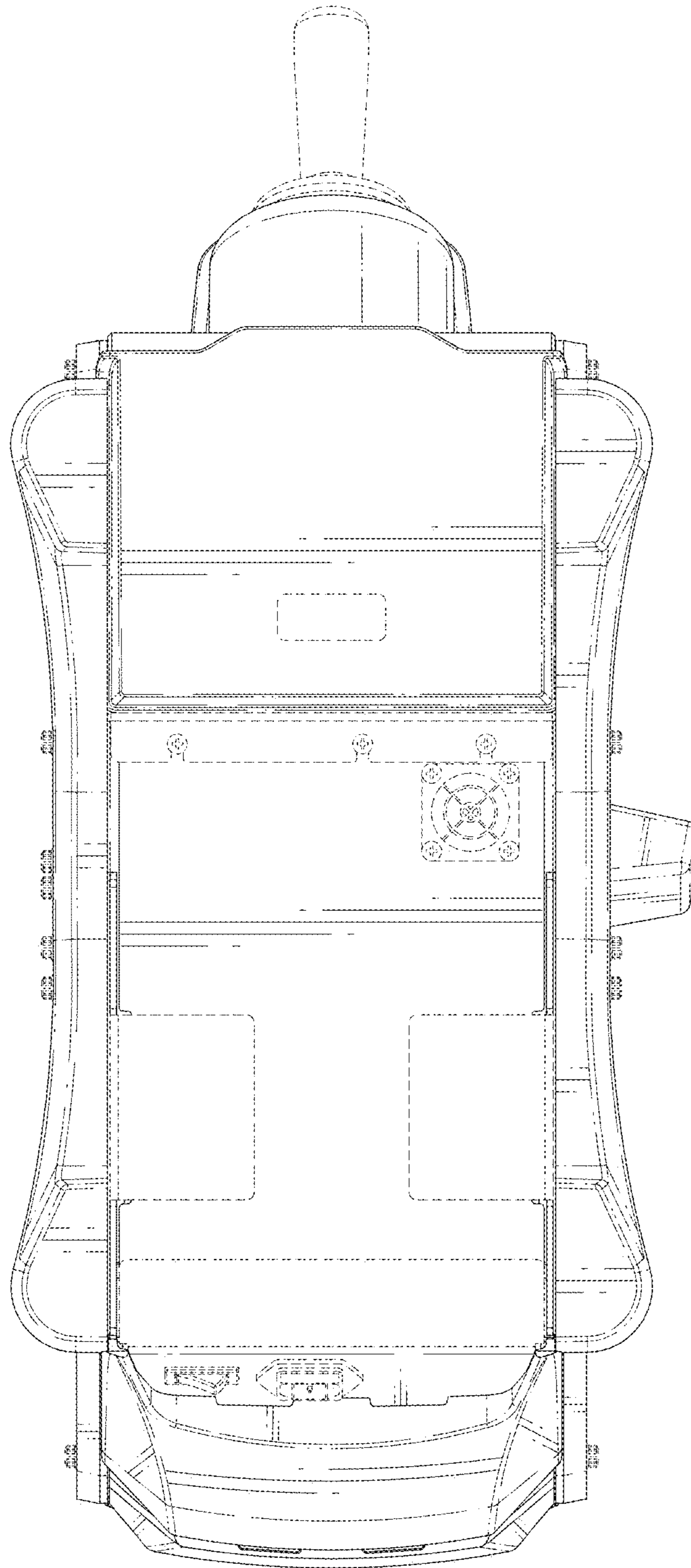


FIG. 8