



US00D916564S

(12) **United States Design Patent**
Kent et al.

(10) **Patent No.:** **US D916,564 S**
(45) **Date of Patent:** **** Apr. 20, 2021**

(54) **MIXER**

(71) Applicant: **Revelution Technology, LLC**, Carson, CA (US)

(72) Inventors: **Joshua Kent**, Carson, CA (US);
Christanne Cabal, Carson, CA (US);
DanAngelo Cabal, Chesapeake, VA (US);
Rebekah Cabal, Chesapeake, VA (US)

(73) Assignee: **REVELUTION TECHNOLOGY, LLC**, Carson, CA (US)

(**) Term: **15 Years**

(21) Appl. No.: **29/717,069**

(22) Filed: **Dec. 13, 2019**

(51) **LOC (13) Cl.** **31-00**

(52) **U.S. Cl.**
USPC **D7/412**; D7/376; D7/378; D7/379;
D7/384

(58) **Field of Classification Search**
USPC D7/372, 376–386, 412–413, 602, 629,
D7/665–666, 669, 679, 693–694
CPC A21C 1/02; A21C 1/04; A22C 17/0006;
A23N 1/00; A23N 1/02; A47F 7/00; A47J
27/004; A47J 43/04; A47J 43/25; A47J
43/27; A47J 43/042; A47J 43/044; A47J
43/046; A47J 43/075; A47J 43/0705;
A47J 43/0711; A47J 43/0722; A47J
43/0727; A47J 43/1093; B01F 3/00; B01F
3/0807; B01F 3/0853; B01F 7/00391;
B01F 7/00916; B01F 7/166; B01F 7/247;
B01F 7/1665; B01F 7/1695; B01F
13/0059; B01F 13/0064; B02C 1/08;
B02C 2/04; B02C 4/42; B02C 4/142;
B02C 4/143; B02C 4/423; B02C 13/1835;
B28C 5/10; B28C 5/12; B28C 5/14;
B28C 5/16

See application file for complete search history.

(56) **References Cited**

U.S. PATENT DOCUMENTS

116,855 A *	7/1871	Monfort	B01F 7/166 366/296
661,207 A *	11/1900	Carter	B01F 7/00391 366/183.2
868,220 A *	10/1907	Portelli et al.	A47J 43/0711 416/227 R
2,515,713 A *	7/1950	Johnson	A47J 43/0711 416/175
2,538,877 A *	1/1951	McCloy	A47J 43/0711 366/200
3,314,660 A *	4/1967	Arbiter	A47J 27/004 366/289
5,152,971 A *	10/1992	Bertrand	B01F 7/247 423/300

(Continued)

Primary Examiner — Ricky Pham

(74) *Attorney, Agent, or Firm* — Snell & Wilmer LLP

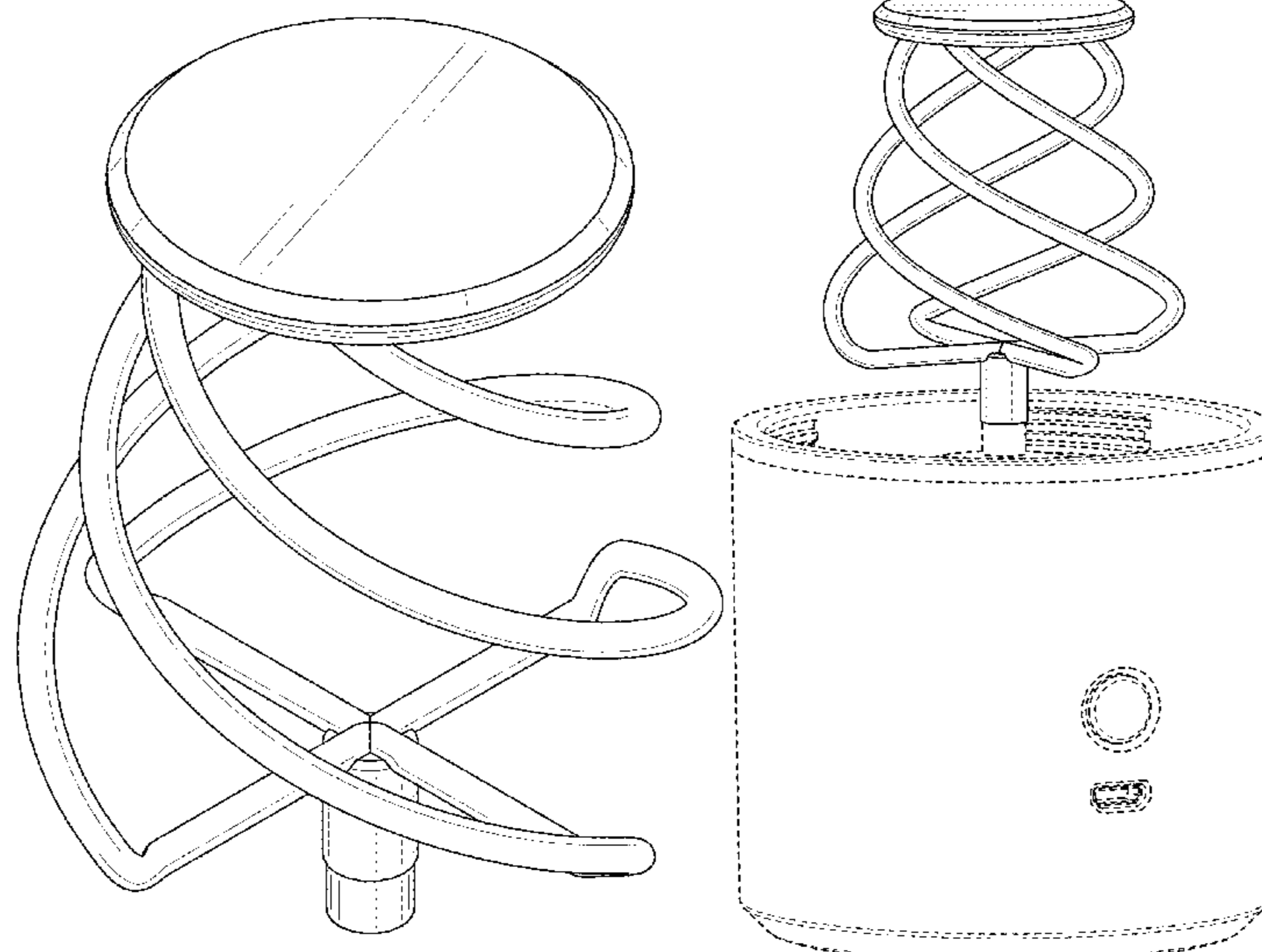
(57) **CLAIM**

The ornamental design for a mixer, as shown and described.

DESCRIPTION

FIG. 1 is an elevated perspective view of a mixer, showing our new design;
FIG. 2 is a left side view thereof;
FIG. 3 is a right side view thereof;
FIG. 4 is a front view thereof;
FIG. 5 is a back view thereof;
FIG. 6 is a top side view thereof;
FIG. 7 is a bottom side view thereof;
FIG. 8 is a view of the mixer attached to a blender base; and,
FIG. 9 is a view of the mixer attached to a blender shaft.
The broken lines shown in FIGS. 8 and 9 depict blenders that form no part of the claimed design.

1 Claim, 9 Drawing Sheets



(56)

References Cited

U.S. PATENT DOCUMENTS

5,411,330 A * 5/1995 Arutyunov (born Rjabokoni')
B01F 7/00391
366/270
6,666,339 B2 * 12/2003 Platek A47F 7/00
211/120
6,955,110 B1 * 10/2005 Spletzer A22C 17/0006
241/260.1
7,871,193 B2 * 1/2011 Brod B01F 7/1665
366/97
10,632,431 B2 * 4/2020 Saunders A47J 43/0711
2006/0158960 A1 * 7/2006 Wu B01F 7/00916
366/288

* cited by examiner

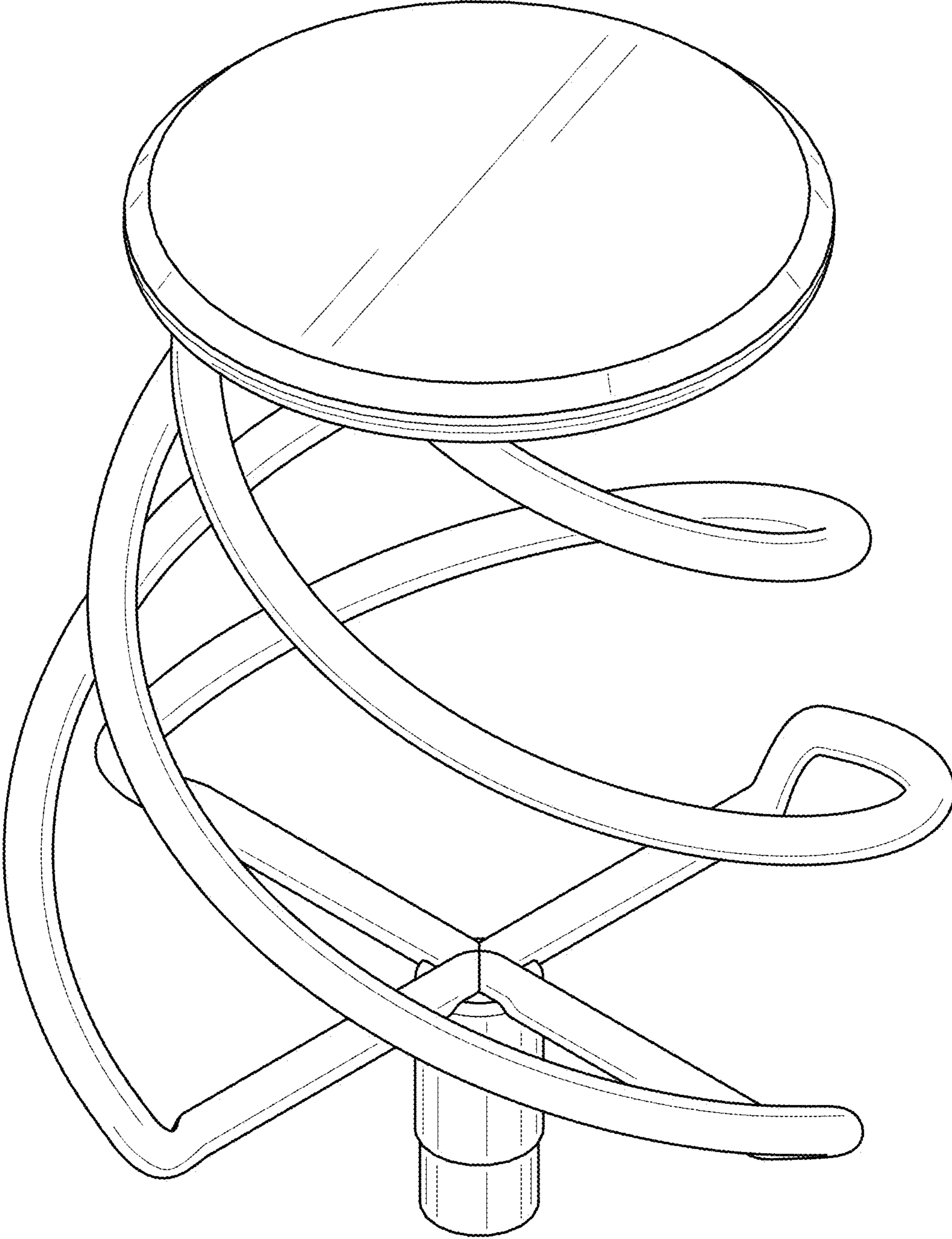


FIG. 1

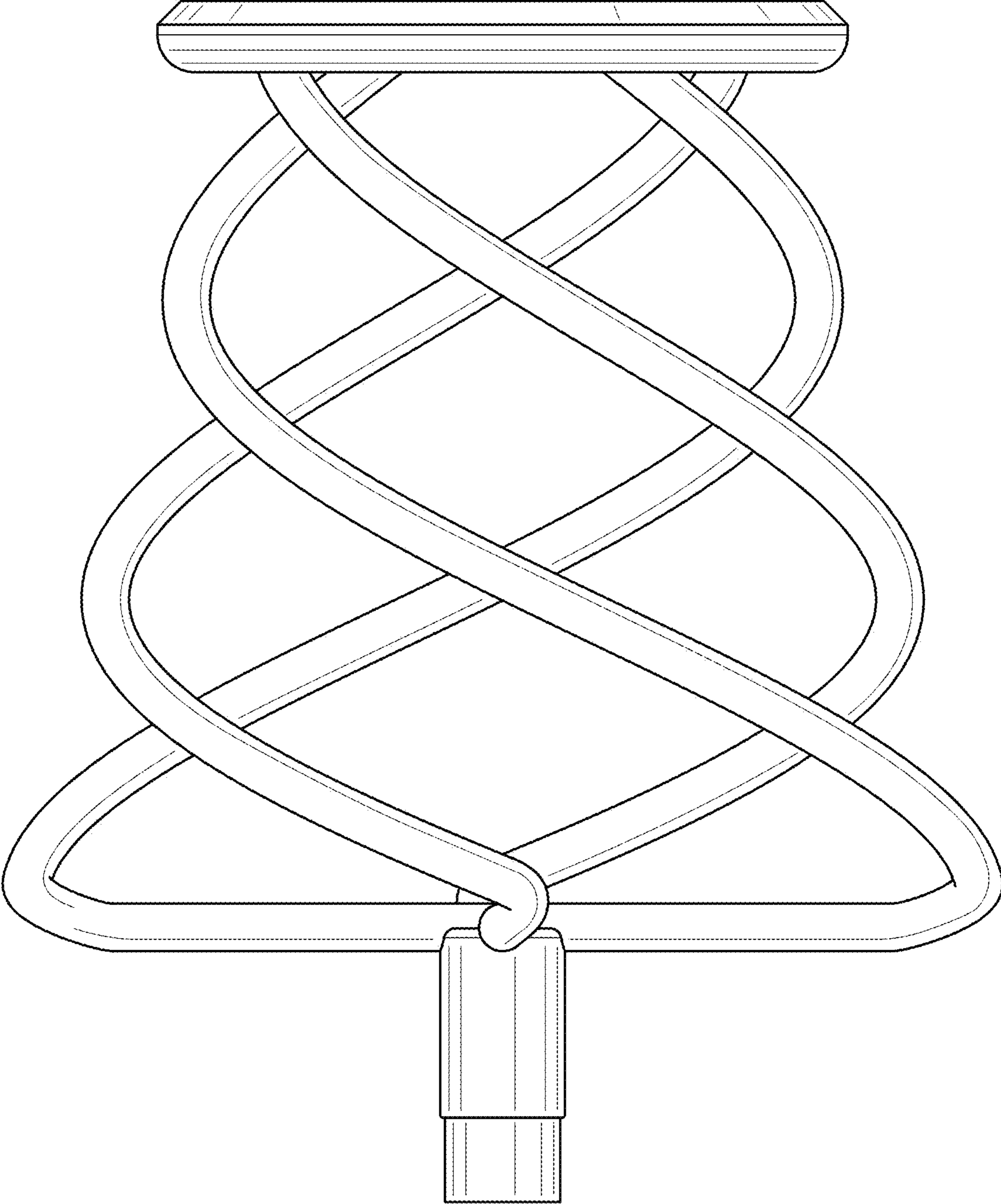


FIG. 2

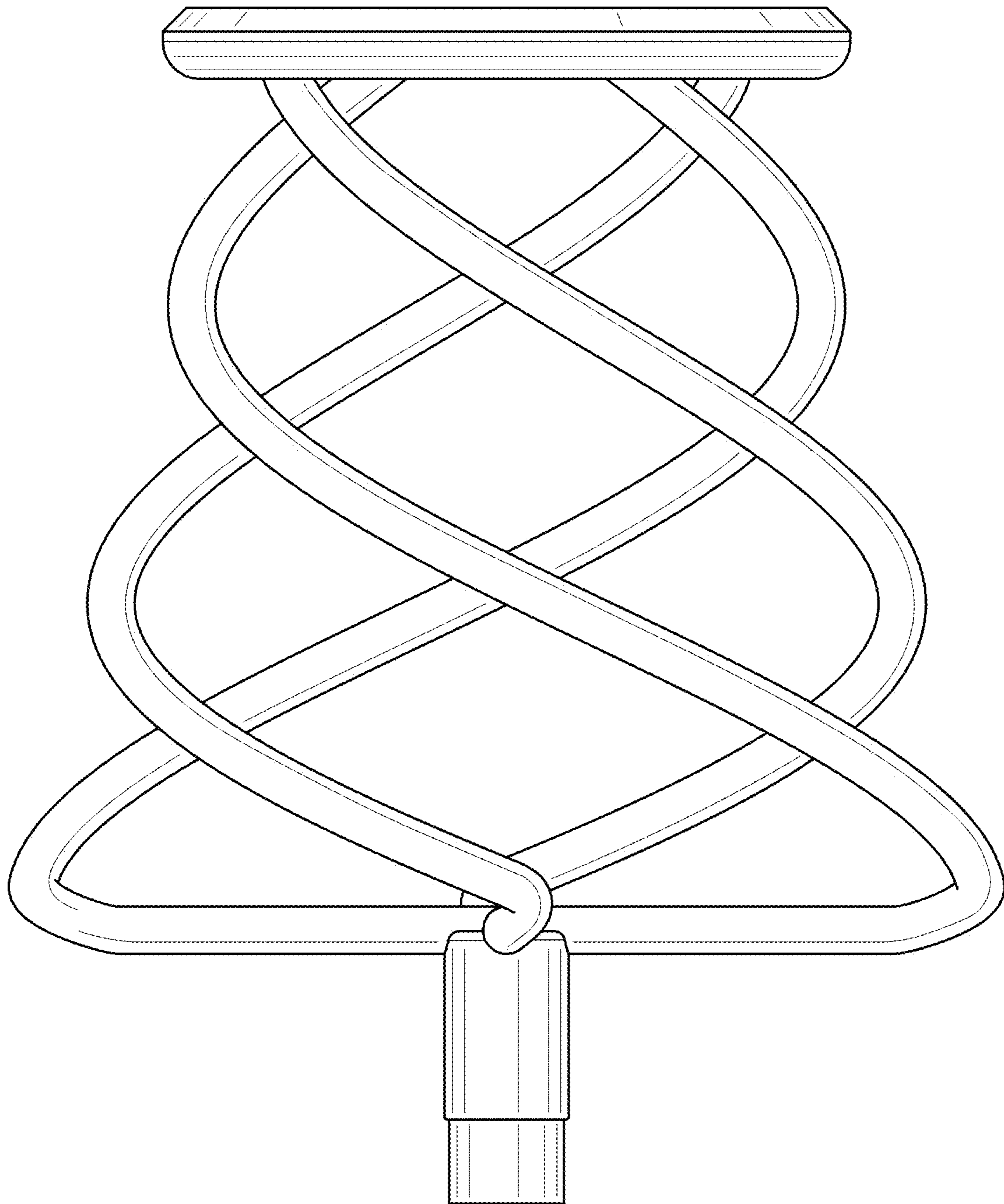


FIG. 3

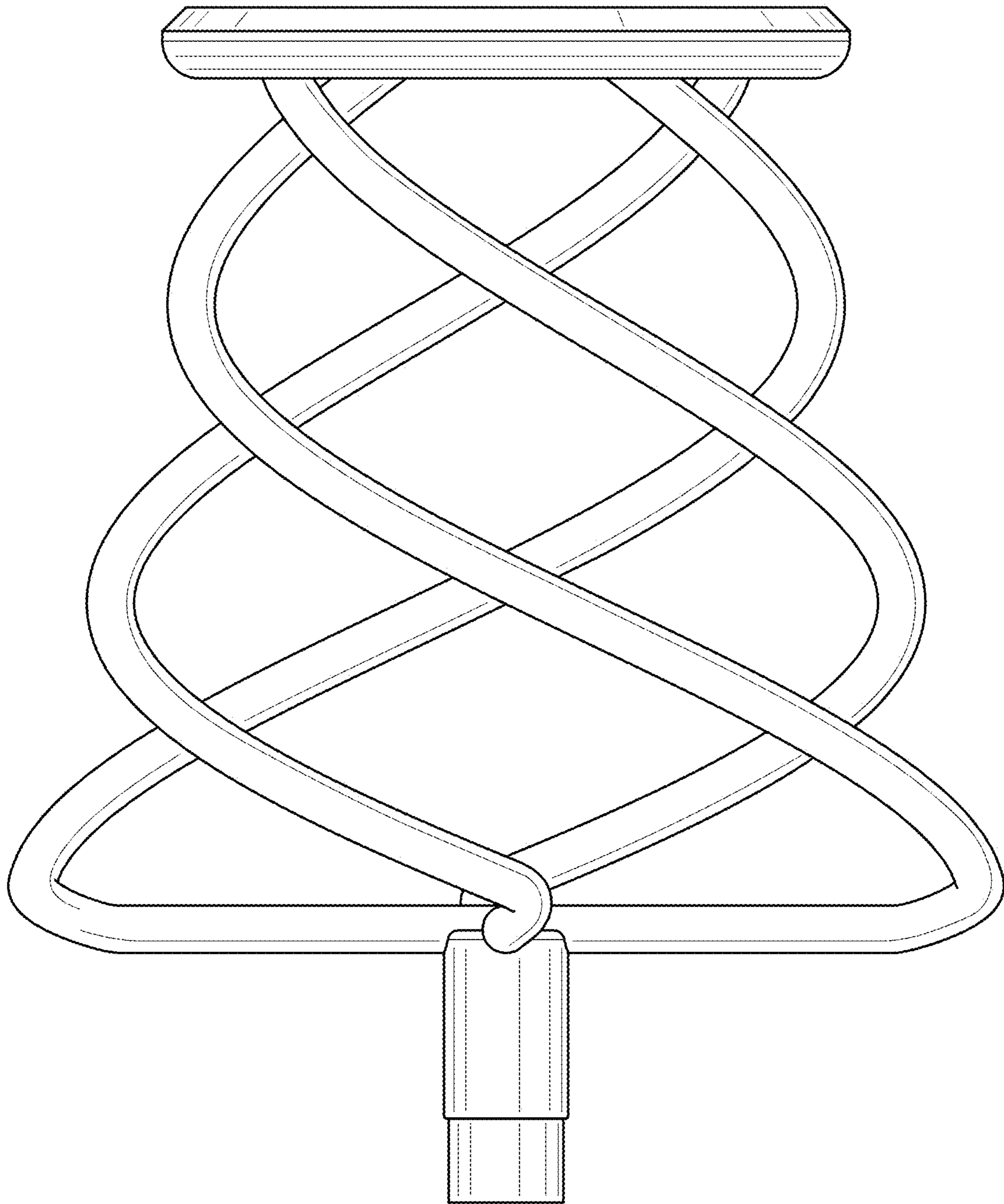


FIG. 4

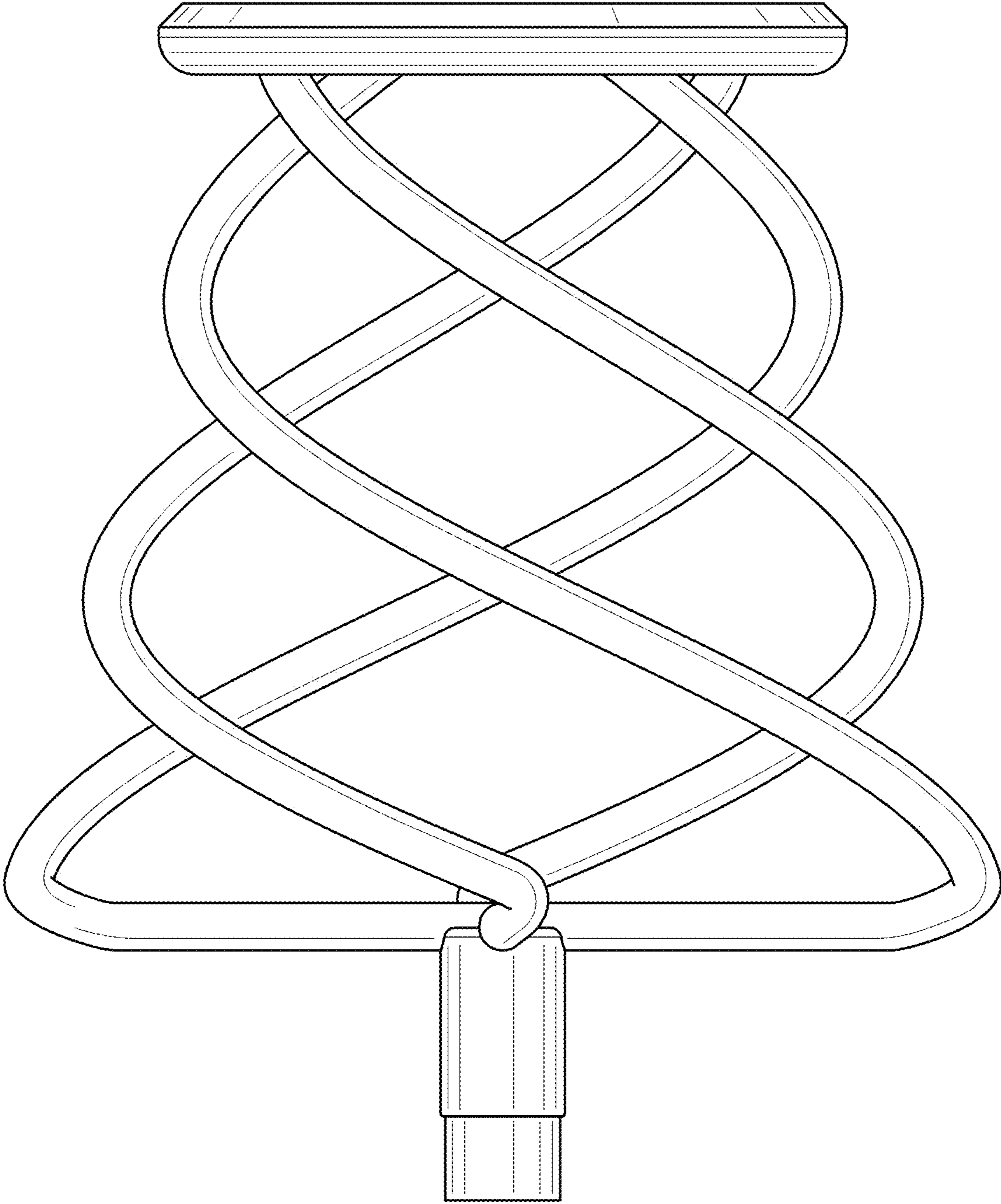


FIG. 5

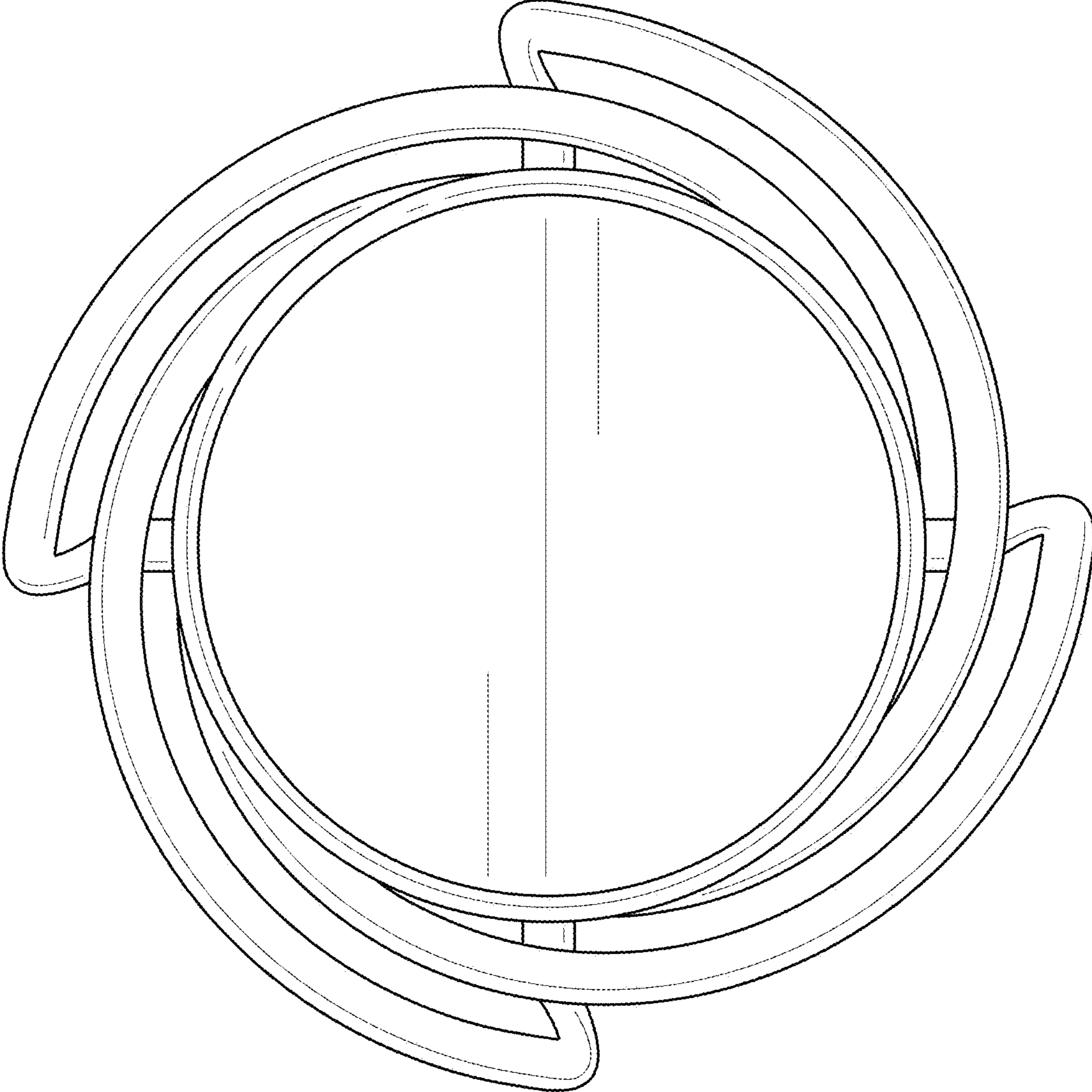


FIG. 6

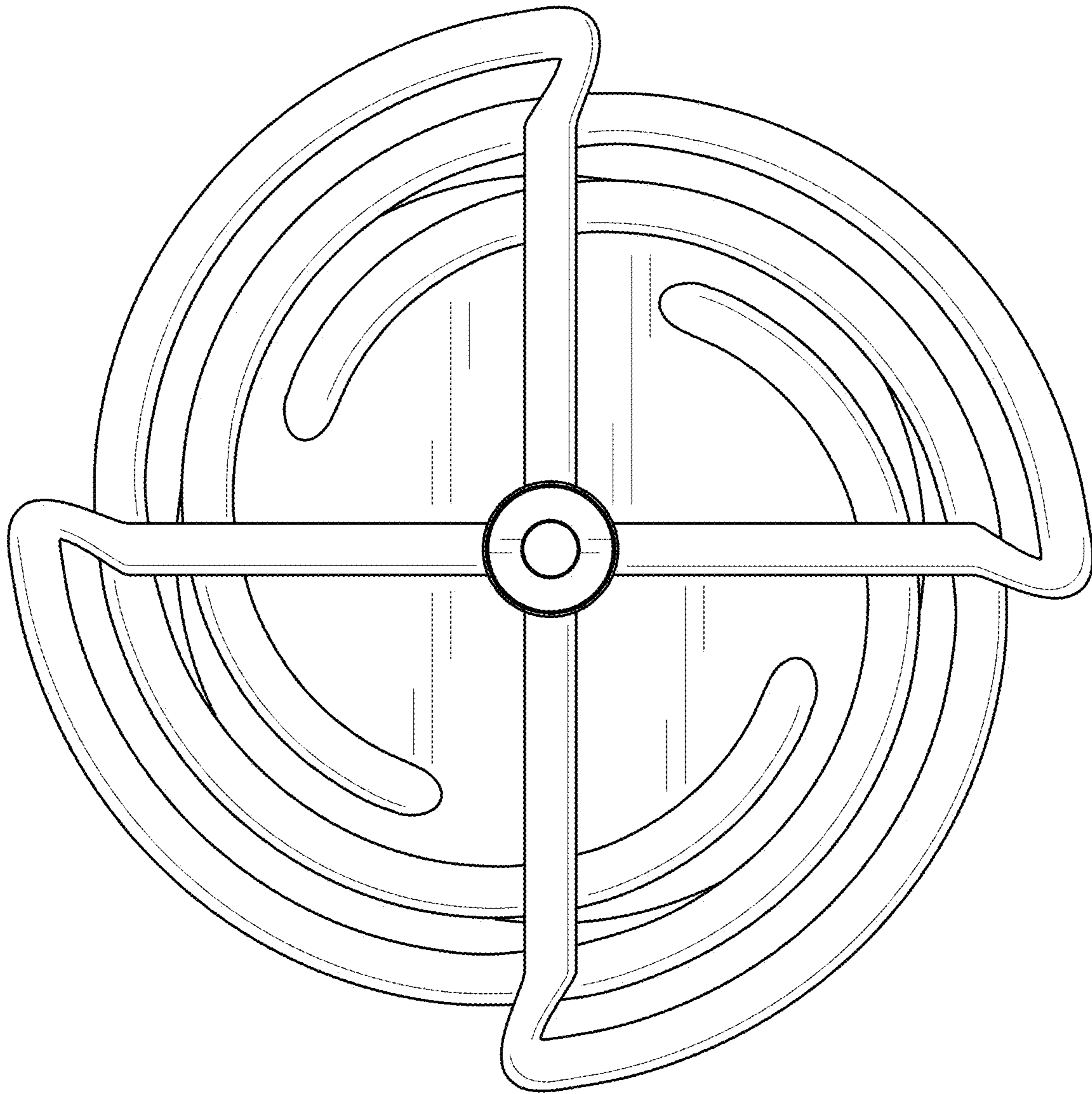


FIG. 7

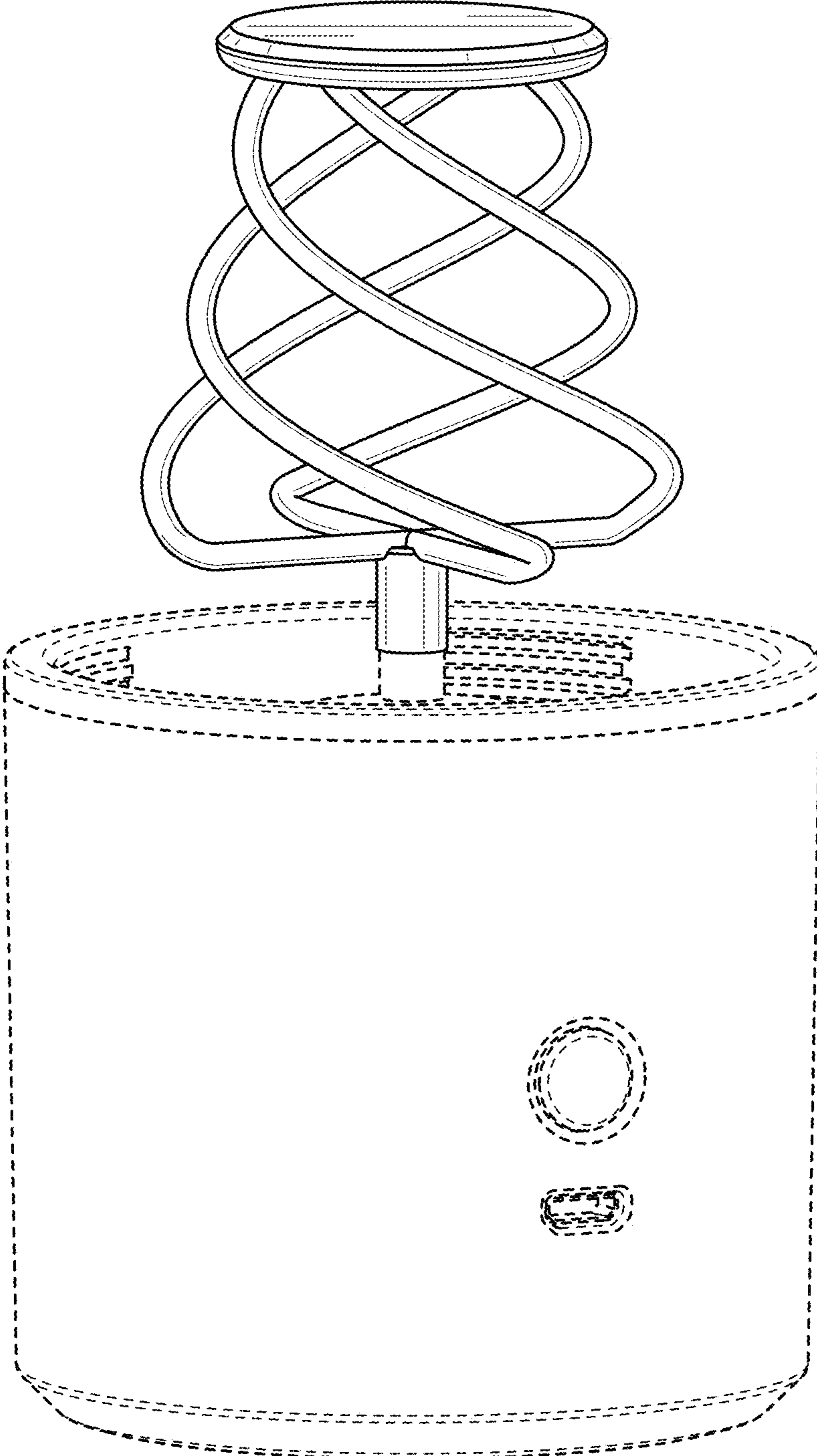


FIG. 8

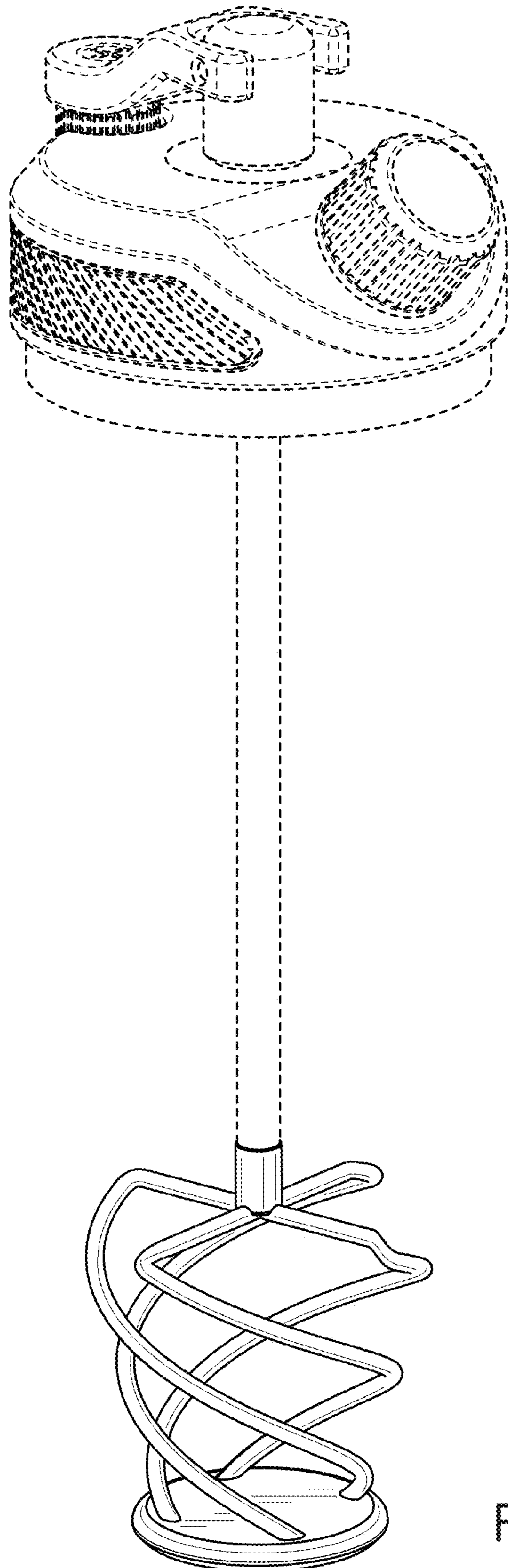


FIG. 9