



US00D916563S

(12) **United States Design Patent** (10) **Patent No.:** **US D916,563 S**  
**Dorion et al.** (45) **Date of Patent:** **\*\* Apr. 20, 2021**

(54) **GRILL PAN**  
(71) Applicants: **Chris Dorion**, South Pittsburg, TN (US); **Kelly Peterson**, South Pittsburg, TN (US)  
(72) Inventors: **Chris Dorion**, South Pittsburg, TN (US); **Kelly Peterson**, South Pittsburg, TN (US)  
(73) Assignee: **Lodge Manufacturing Company**, South Pittsburg, TN (US)

(\*\*) Term: **15 Years**

(21) Appl. No.: **29/695,800**

(22) Filed: **Jun. 21, 2019**

(51) **LOC (13) Cl.** ..... **07-99**

(52) **U.S. Cl.**  
USPC ..... **D7/409**

(58) **Field of Classification Search**  
USPC ..... D7/323, 352, 354, 355, 356, 357, 358, D7/359, 360, 361, 362, 363, 364, 365, D7/366, 396.1, 402, 409, 410  
CPC .. A47J 27/00; A47J 37/00; A47J 37/01; A47J 37/04; A47J 37/06; A47J 37/10; A47J 37/0611; A47J 37/08; A47J 37/0807; A47J 37/0814; A47J 37/0835; A47J 37/0842; A47J 37/085; A47J 37/0864; A47J 37/0878; A47J 37/0885; A47J 37/0892; A47J 36/00; A47J 36/02; A47J 36/06; A47J 36/16; A47J 36/24; A47J 36/022; A47J 36/027

See application file for complete search history.

(56) **References Cited**

**U.S. PATENT DOCUMENTS**

D436,495 S \* 1/2001 Ferrer ..... D7/360  
D539,075 S \* 3/2007 Schuler ..... D7/354  
D547,597 S \* 7/2007 Levy ..... D7/354

D549,042 S \* 8/2007 Vals ..... D7/359  
D723,324 S \* 3/2015 Feriola ..... D7/354  
D773,246 S \* 12/2016 Raley ..... D7/402  
D823,639 S \* 7/2018 Gabbay ..... D7/409  
D824,208 S \* 7/2018 Mirchandani ..... D7/360  
D859,059 S \* 9/2019 Levy ..... D7/359  
D862,163 S \* 10/2019 Jung ..... D7/402  
D865,444 S \* 11/2019 Young ..... D7/402  
D880,931 S \* 4/2020 Tan ..... D7/359  
2012/0318256 A1 \* 12/2012 Chilton ..... F24C 15/18  
126/39 H

(Continued)

**OTHER PUBLICATIONS**

Blacklock \*77\* 10x20 Inch Triple Seasoned Cast Iron Double Burner Griddle, no announcement date [online], retrieved May 22, 2020, retrieved from internet, [https://www.lodgemfg.com/product/blacklock-burner-griddle?sku=BL77DG.\\*](https://www.lodgemfg.com/product/blacklock-burner-griddle?sku=BL77DG.*)

(Continued)

*Primary Examiner* — Dana K Weiland  
*Assistant Examiner* — Messina L Smith

(74) *Attorney, Agent, or Firm* — Stephen J. Stark; Miller & Martin PLLC

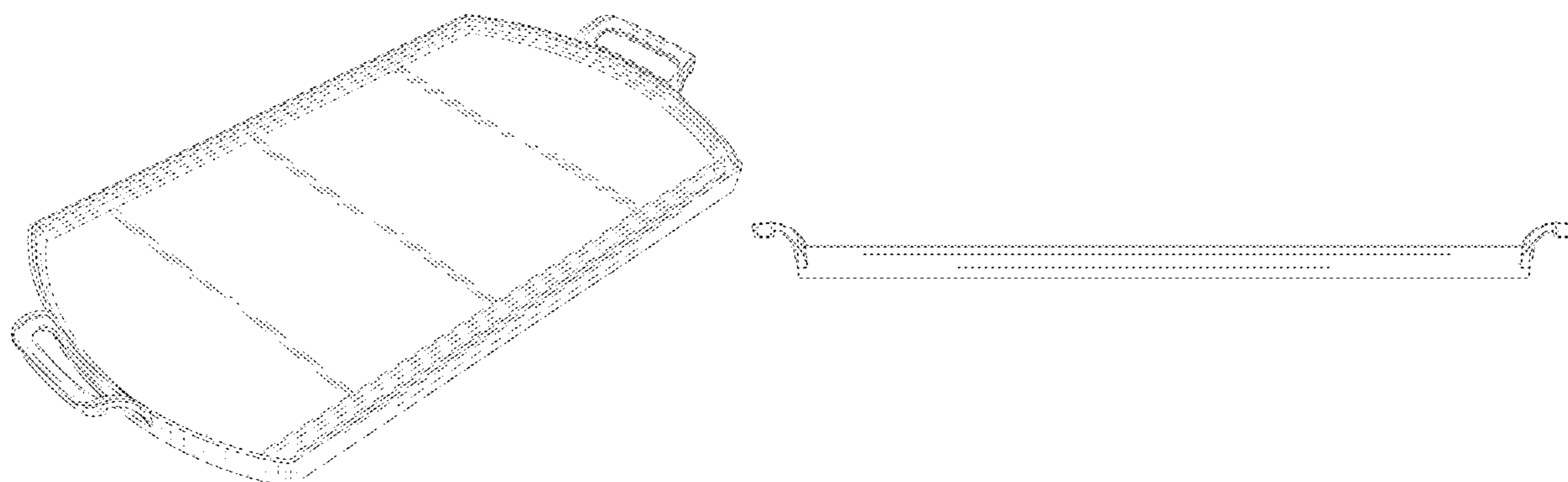
(57) **CLAIM**

The ornamental design for a grill pan, as shown and described.

**DESCRIPTION**

FIG. 1 is a perspective view of a grill pan, showing the new design;  
FIG. 2 is a top elevational view thereof;  
FIG. 3 is a left side elevational view thereof;  
FIG. 4 is a right side elevational view thereof;  
FIG. 5 is a rear elevational view thereof;  
FIG. 6 is a front elevational view thereof; and,  
FIG. 7 is a bottom elevational view thereof.  
The broken lines shown in the drawings depict portions of the grill pan that form no part of the claimed design.

**1 Claim, 7 Drawing Sheets**



(56)

**References Cited**

U.S. PATENT DOCUMENTS

2014/0175086 A1\* 6/2014 Lin ..... A47J 37/0676  
219/438  
2019/0350406 A1\* 11/2019 Swayne ..... A47J 37/067

OTHER PUBLICATIONS

Say Hello to the New Blacklock Cast Iron by Lodge, announced Aug. 18, 2019 [online], retrieved May 22, 2020, retrieved from internet, <https://thervatlas.com/podcast/blacklock-cast-iron-by-lodge/>.\*

\* cited by examiner

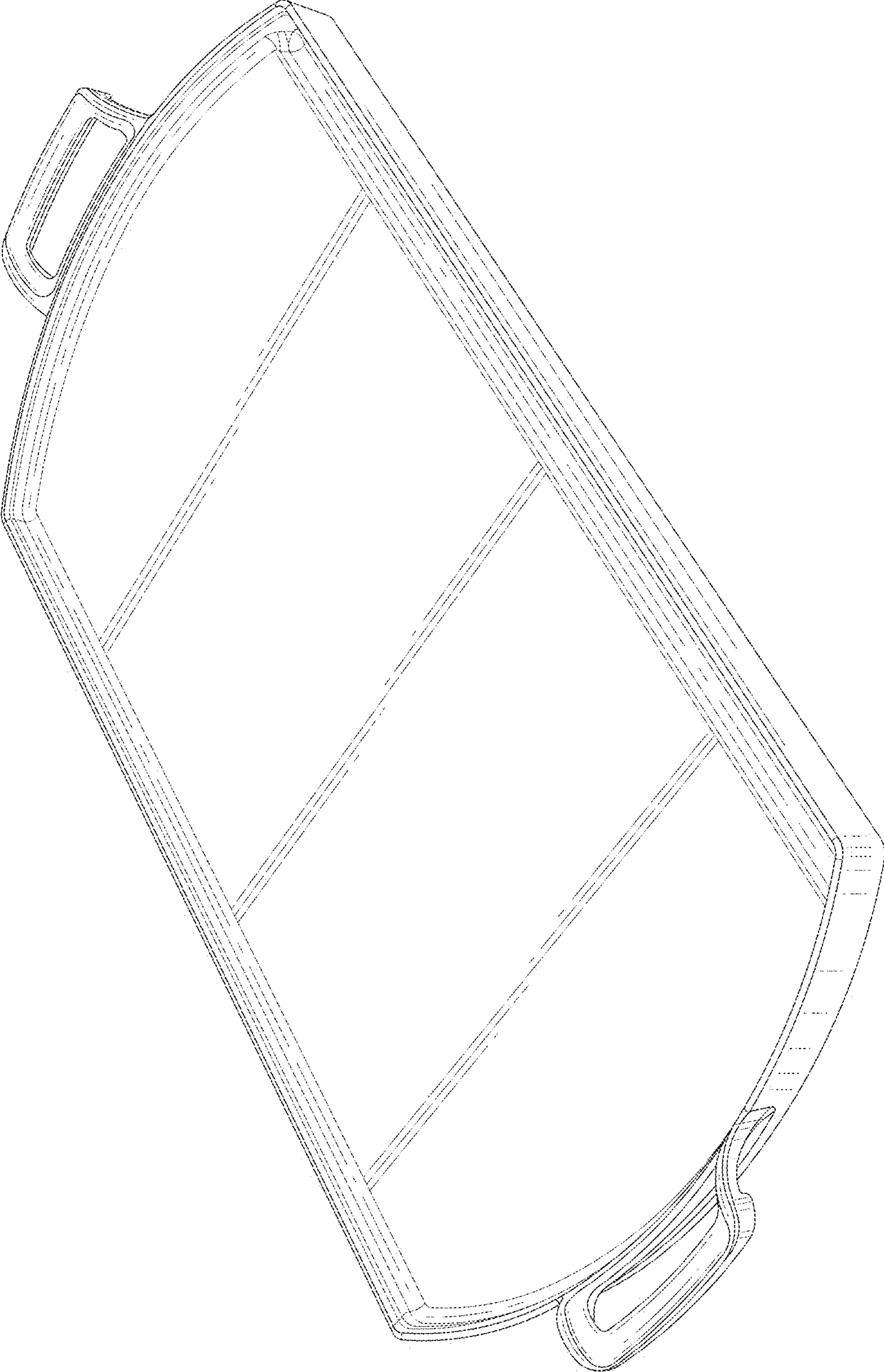


FIG. 1

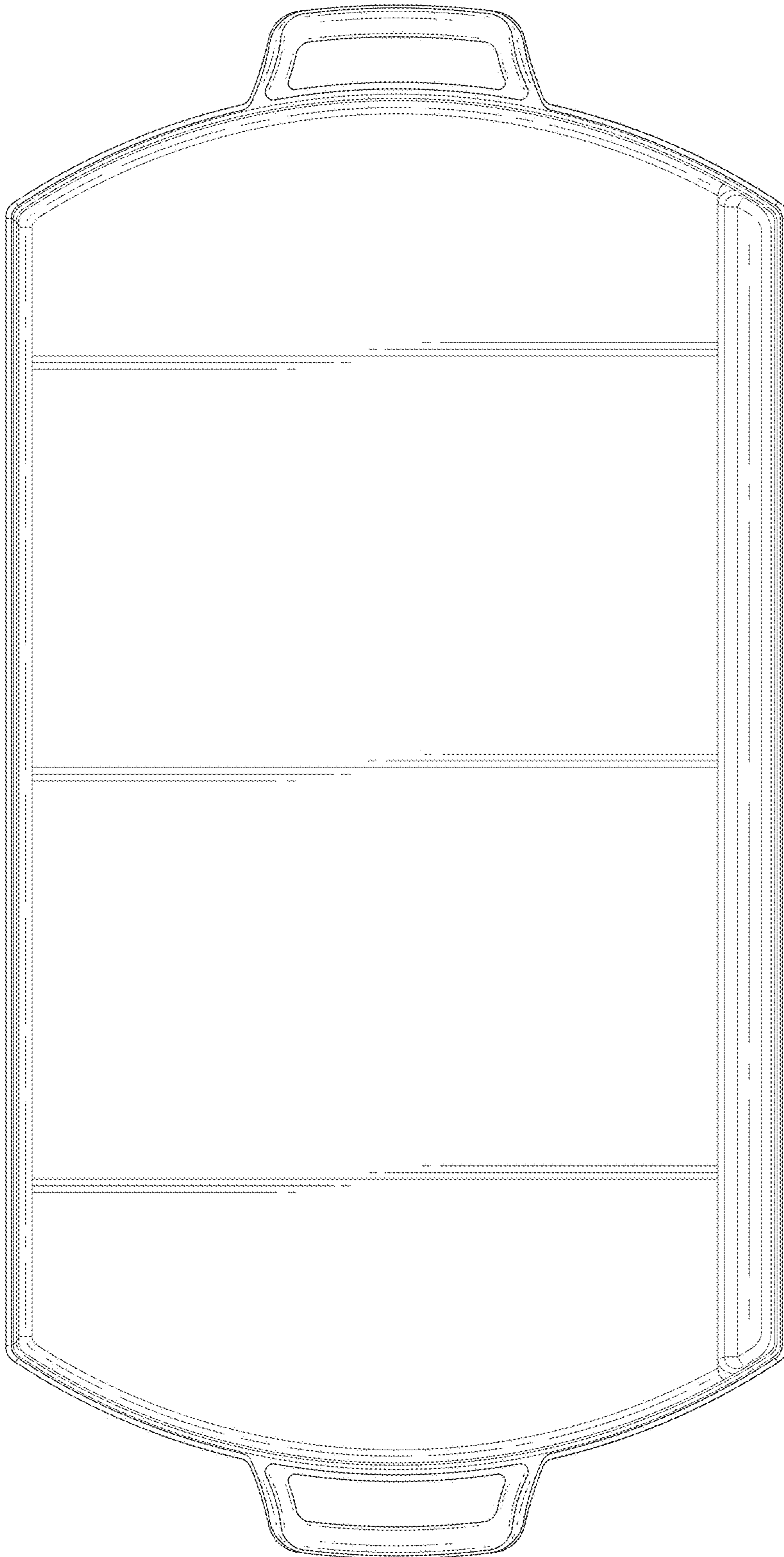


FIG. 2



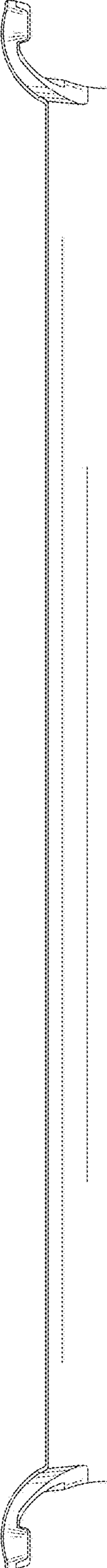


FIG. 3

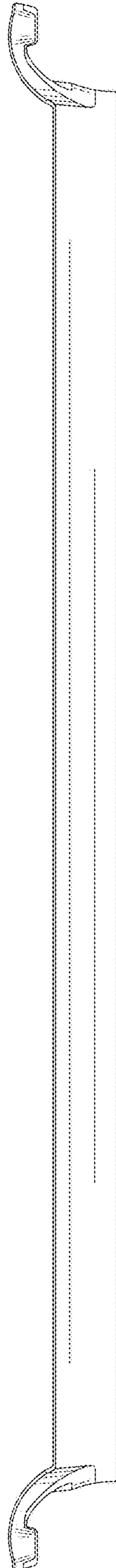


FIG. 4

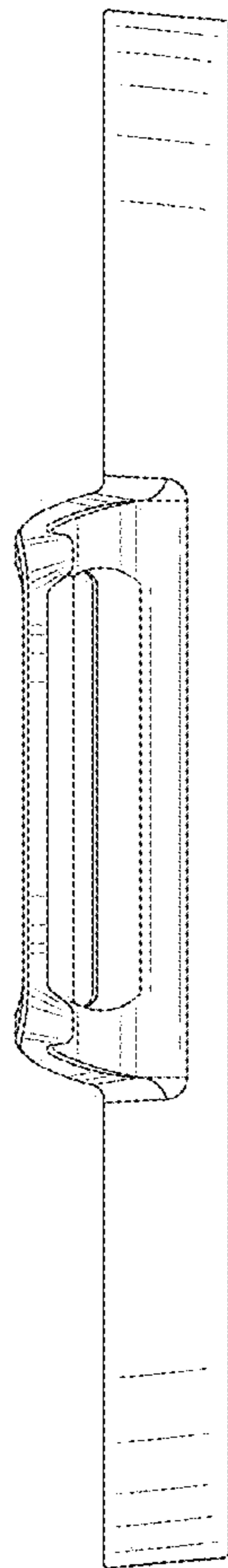


FIG. 5

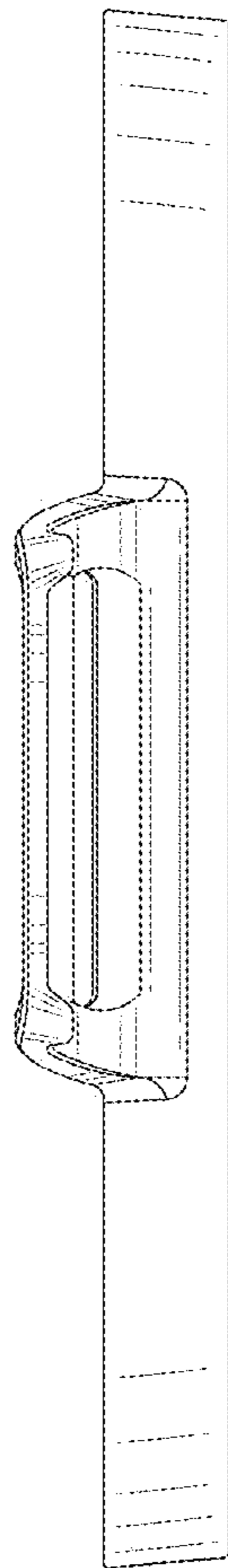


FIG. 6



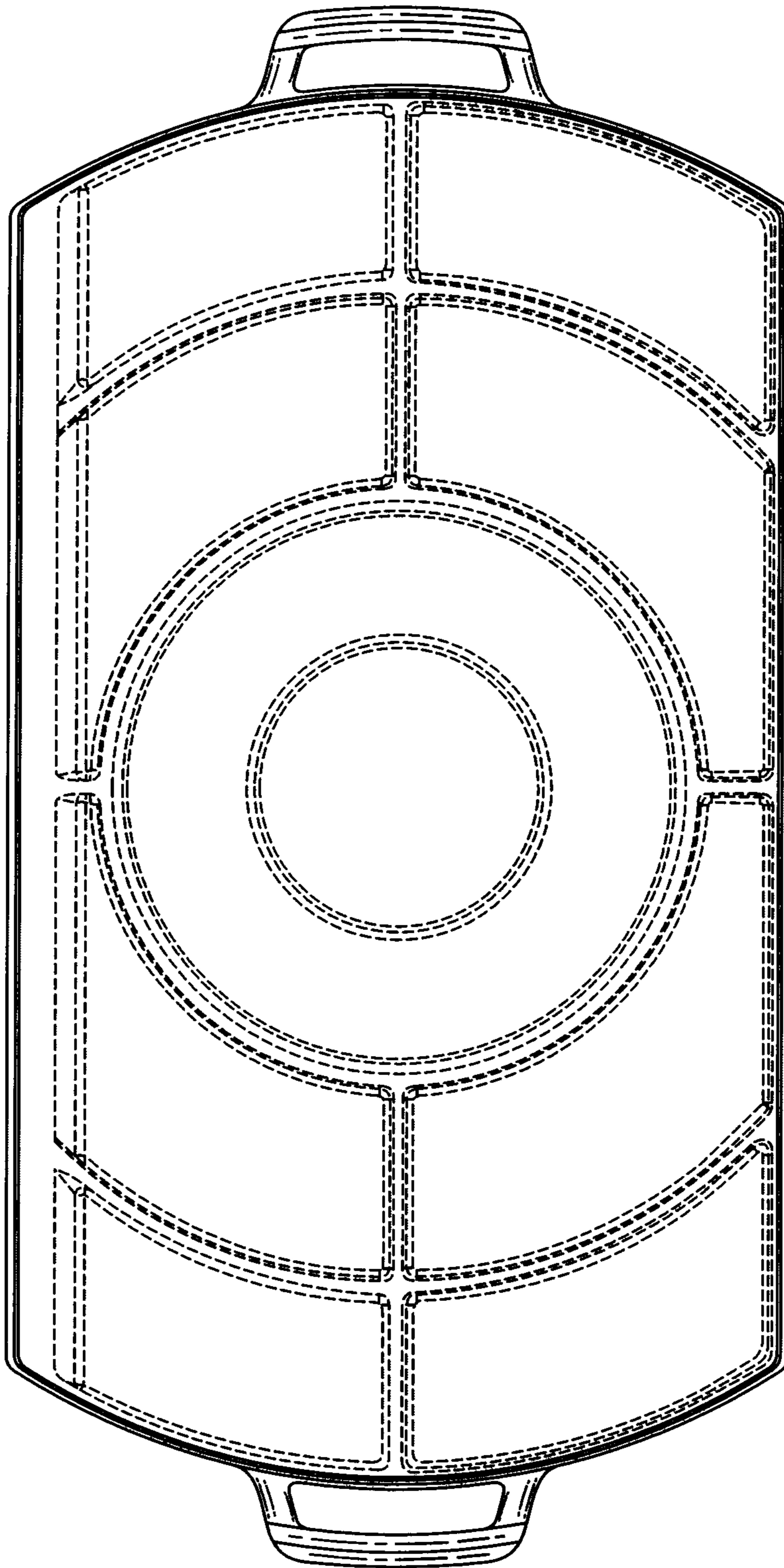


FIG. 7