



US00D916561S

(12) **United States Design Patent**  
**Nazarov**

(10) **Patent No.:** **US D916,561 S**  
(45) **Date of Patent:** **\*\* Apr. 20, 2021**

(54) **REGULATED FLUID DISPENSING DEVICE**

(74) *Attorney, Agent, or Firm* — Veritay Group IP PLLC;  
Susan B. Fentress

(71) Applicant: **Ilyas Nazarov**, Memphis, TN (US)

(72) Inventor: **Ilyas Nazarov**, Memphis, TN (US)

(57) **CLAIM**

(\*\*) Term: **15 Years**

The ornamental design for a regulated fluid dispensing device, as shown and described.

(21) Appl. No.: **29/662,175**

(22) Filed: **Sep. 4, 2018**

**DESCRIPTION**

(51) **LOC (13) Cl.** ..... **07-01**

FIG. 1 is an isometric view of a first embodiment of a regulated fluid dispensing device of my new design.

(52) **U.S. Cl.**

FIG. 2 is a front view of the regulated fluid dispensing device shown in FIG. 1.

USPC ..... **D7/396.2**; D7/387; D7/213

FIG. 3 is a rear view of the regulated fluid dispensing device shown in FIG. 1.

(58) **Field of Classification Search**

USPC ..... D7/507, 509, 510, 511, 387, 392.1,

FIG. 4 is a right side view of the regulated fluid dispensing device shown in FIG. 1.

D7/396.2, 368, 690, 376, 300.1, 300.2,

FIG. 5 is a left side view of the regulated fluid dispensing device shown in FIG. 1.

D7/312, 213; D9/435, 436, 530, 537,

FIG. 6 is a top view of the regulated fluid dispensing device shown in FIG. 1.

D9/543, 503, 504

FIG. 7 is a bottom view of the regulated fluid dispensing device shown in FIG. 1.

CPC ..... A47J 43/27; A47G 19/22; A47G 19/16;

FIG. 8 is an exploded view of the regulated fluid dispensing device shown in FIG. 1.

A47G 19/2205; A47G 19/2288; B65D

FIG. 9 is an isometric view of a second embodiment of a regulated fluid dispensing device of my new design,

1/265

FIG. 10 is a front view of the regulated fluid dispensing device shown in FIG. 9.

See application file for complete search history.

FIG. 11 is a rear view of the regulated fluid dispensing device shown in FIG. 9.

(56) **References Cited**

**U.S. PATENT DOCUMENTS**

395,303 A \* 12/1888 Wuchner ..... B01F 13/002

366/130

2,983,946 A \* 5/1961 Edelstone ..... B44D 3/121

401/4

FIG. 12 is a right side view of the regulated fluid dispensing device shown in FIG. 9.

(Continued)

FIG. 13 is a left side view of the regulated fluid dispensing device shown in FIG. 9.

**OTHER PUBLICATIONS**

[https://www.amazon.com/ARES-70920-Syringe-Steering-Capacity/dp/B07CP8R9MS/ref=sr\\_1\\_35?dchild=1&keywords=REGULATED+](https://www.amazon.com/ARES-70920-Syringe-Steering-Capacity/dp/B07CP8R9MS/ref=sr_1_35?dchild=1&keywords=REGULATED+FLUID+DISPENSING+DEVICE&qid=1612970734&sr=8-35)

[FLUID+DISPENSING+DEVICE&qid=1612970734&sr=8-35](https://www.amazon.com/ARES-70920-Syringe-Steering-Capacity/dp/B07CP8R9MS/ref=sr_1_35?dchild=1&keywords=REGULATED+FLUID+DISPENSING+DEVICE&qid=1612970734&sr=8-35) Fluid

Change Syringe (Year: 2018).\*

FIG. 14 is a top view of the regulated fluid dispensing device shown in FIG. 9.

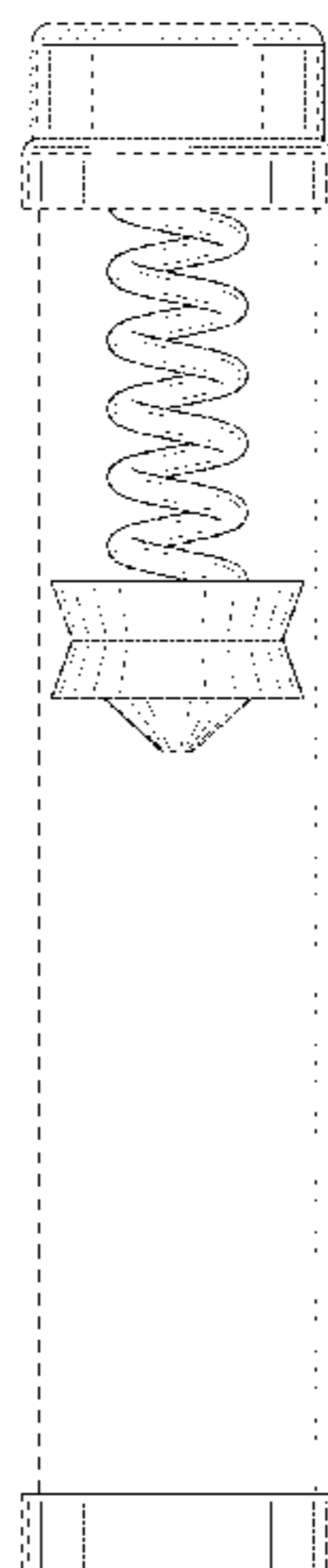
(Continued)

FIG. 15 is a bottom view of the regulated fluid dispensing device shown in FIG. 9; and,

FIG. 16 is an exploded view of the regulated fluid dispensing device shown in FIG. 9.

*Primary Examiner* — Jae Liang

(Continued)



The broken lines are included for the purpose of illustration of portions of the regulated fluid dispensing device that form no part of the claimed design.

**1 Claim, 8 Drawing Sheets**

(56)

**References Cited**

U.S. PATENT DOCUMENTS

3,136,532 A \* 6/1964 Rudnick ..... B01F 13/0057  
366/130  
4,191,302 A \* 3/1980 Fiducia ..... A47G 19/2227  
220/705  
4,380,192 A \* 4/1983 Doren ..... A47J 43/283  
140/71 R  
D279,250 S \* 6/1985 Holloway ..... D7/300.2  
D372,624 S \* 8/1996 Chein ..... D7/300.2  
D419,360 S \* 1/2000 Lipson ..... D7/300.2  
D459,151 S \* 6/2002 Skapyak ..... D7/213  
6,866,616 B2 \* 3/2005 Sommer ..... A63F 7/04  
273/112  
7,175,294 B1 \* 2/2007 Estrada ..... A47G 19/2227  
362/101  
D585,708 S \* 2/2009 Gransbury ..... D7/682  
D665,222 S \* 8/2012 Cerasani ..... D7/378

D674,649 S \* 1/2013 Ludwig ..... D7/300.2  
D700,807 S \* 3/2014 Kershaw ..... D7/510  
D723,325 S \* 3/2015 Enghard ..... D7/376  
D736,559 S \* 8/2015 Enghard ..... D7/376  
D760,544 S \* 7/2016 Anzalone ..... D7/515  
D762,117 S \* 7/2016 Joseph ..... D9/446  
D784,760 S \* 4/2017 Gilmartin ..... D7/412  
D808,216 S \* 1/2018 Holowaychuk ..... D7/412  
10,327,530 B2 \* 6/2019 Tarling ..... B01F 15/00506  
D876,164 S \* 2/2020 Sorensen ..... D7/412  
D885,824 S \* 6/2020 Neputy ..... D7/392.1  
D894,755 S \* 9/2020 Coon ..... D9/719  
D894,757 S \* 9/2020 Coon ..... D9/719  
D895,437 S \* 9/2020 Coon ..... D9/719  
2013/0279287 A1 \* 10/2013 Cerasani ..... B65D 81/3205  
366/130  
2014/0119154 A1 \* 5/2014 Kershaw ..... B01F 3/08  
366/130  
2017/0105581 A1 \* 4/2017 Enghard ..... B01F 13/0055  
2020/0352395 A1 \* 11/2020 Bushby ..... B01F 13/0022

OTHER PUBLICATIONS

[https://www.amazon.com/Electric-Salt-Pepper-Grinder-Set/dp/B07WK8HK56/ref=sr\\_1\\_166?dchild=1&keywords=shaker+element&qid=1612971714&sr=8-166 Salt and Pepper Grinder \(Year: 2019\).\\*](https://www.amazon.com/Electric-Salt-Pepper-Grinder-Set/dp/B07WK8HK56/ref=sr_1_166?dchild=1&keywords=shaker+element&qid=1612971714&sr=8-166 Salt and Pepper Grinder (Year: 2019).*)

\* cited by examiner

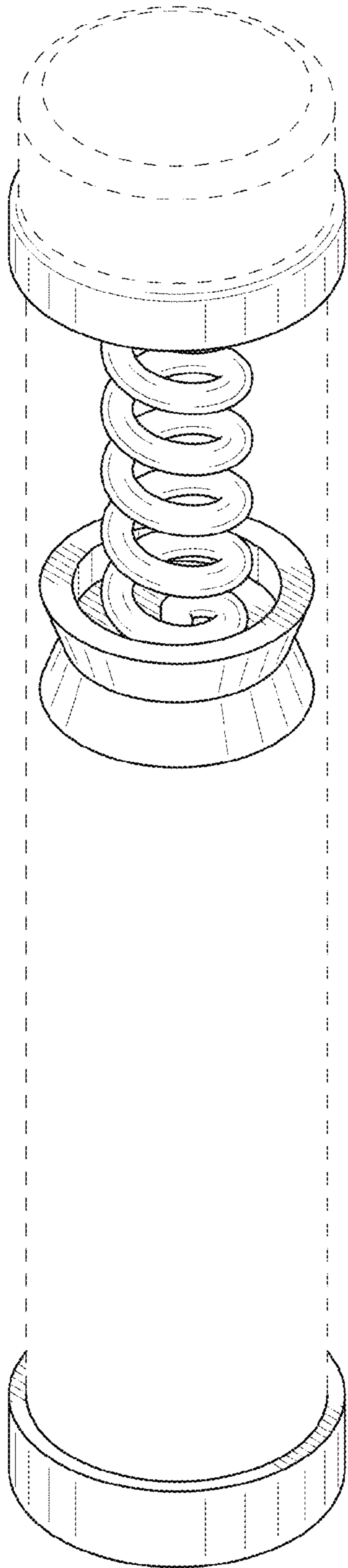


FIG. 1

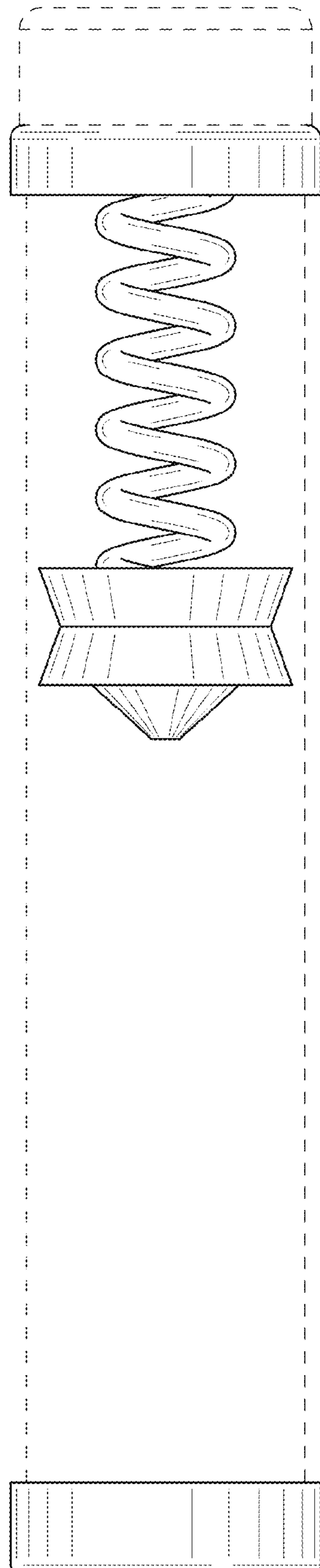


FIG. 2

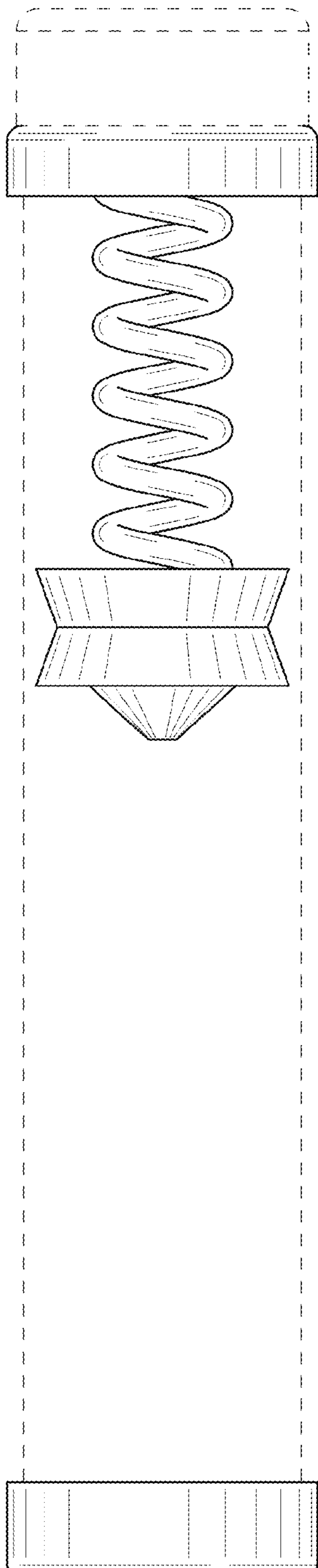


FIG. 3

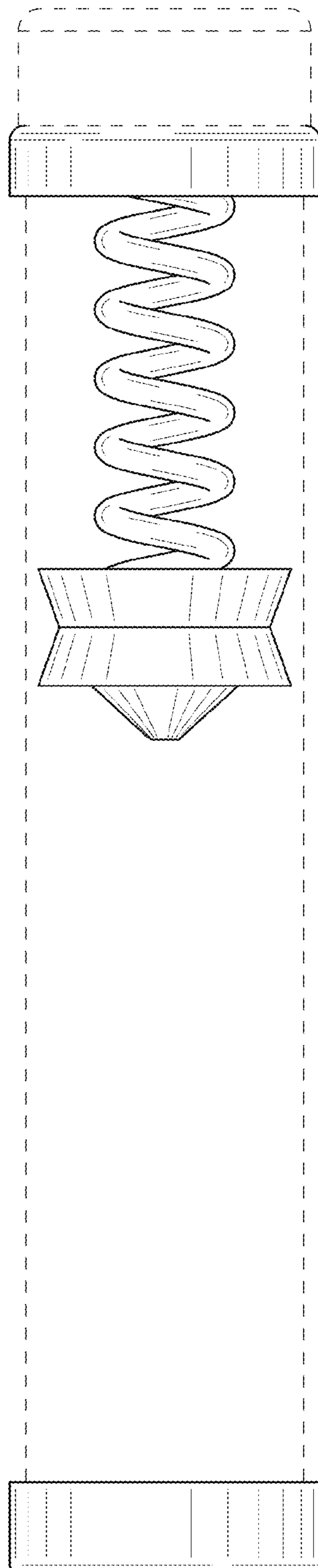


FIG. 4

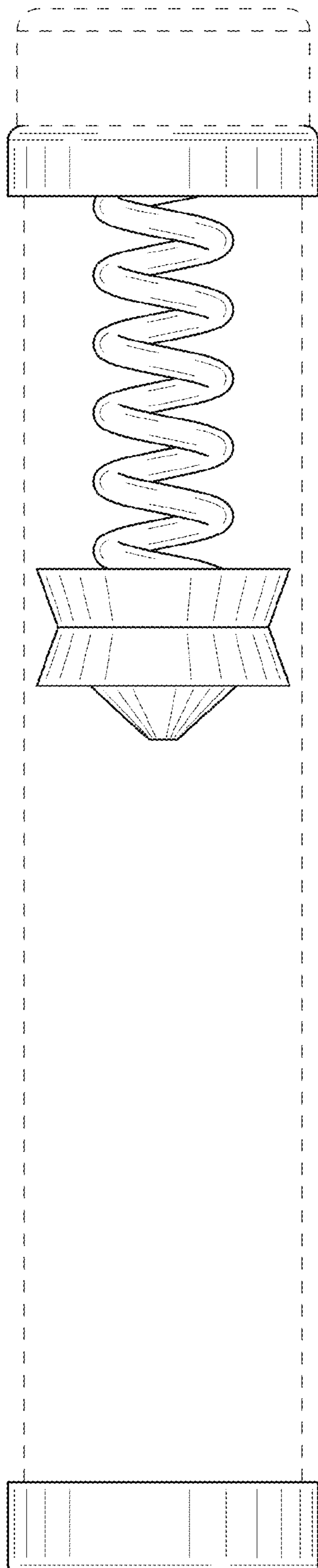


FIG. 5

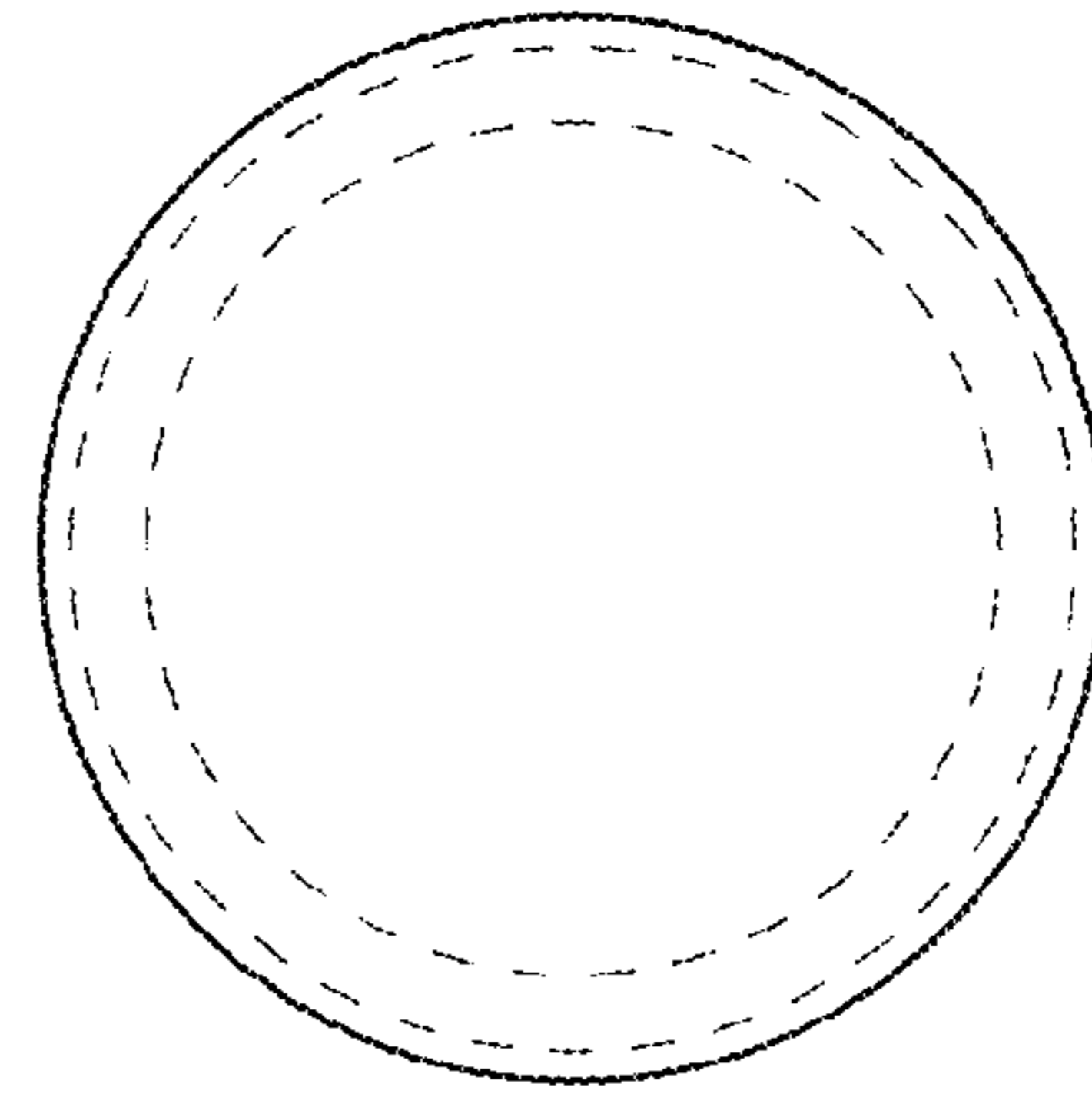


FIG. 6

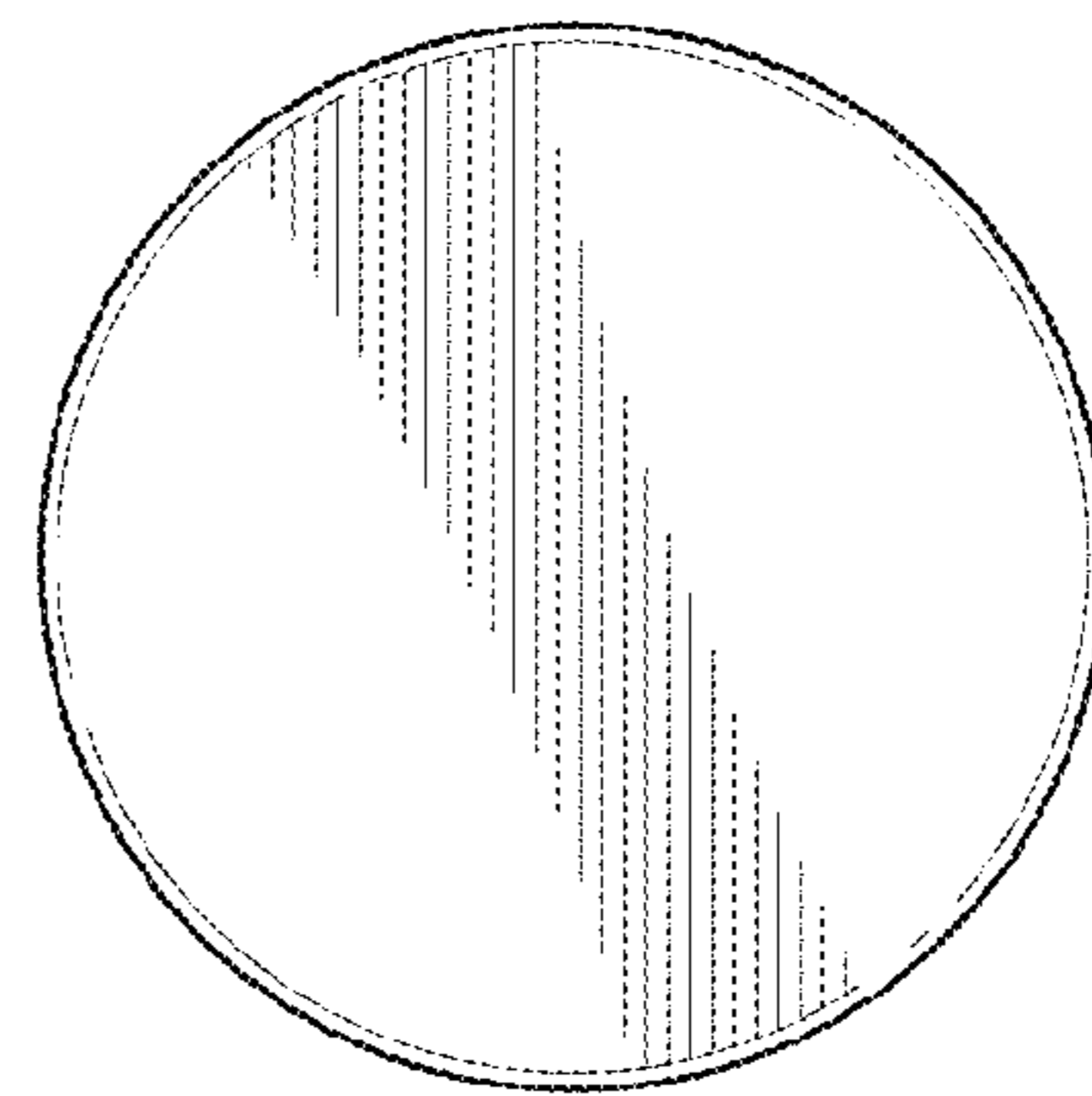


FIG. 7

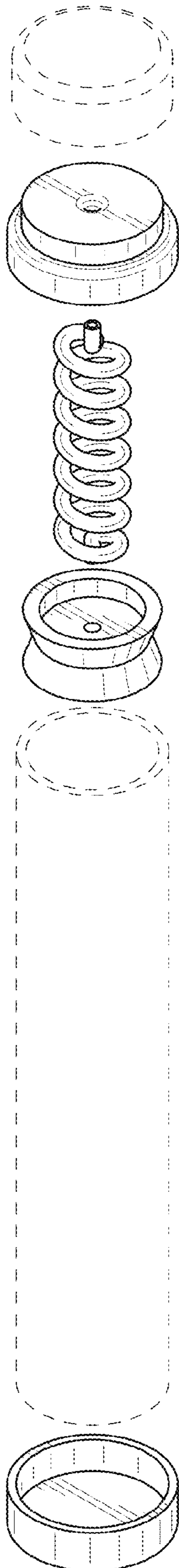


FIG. 8

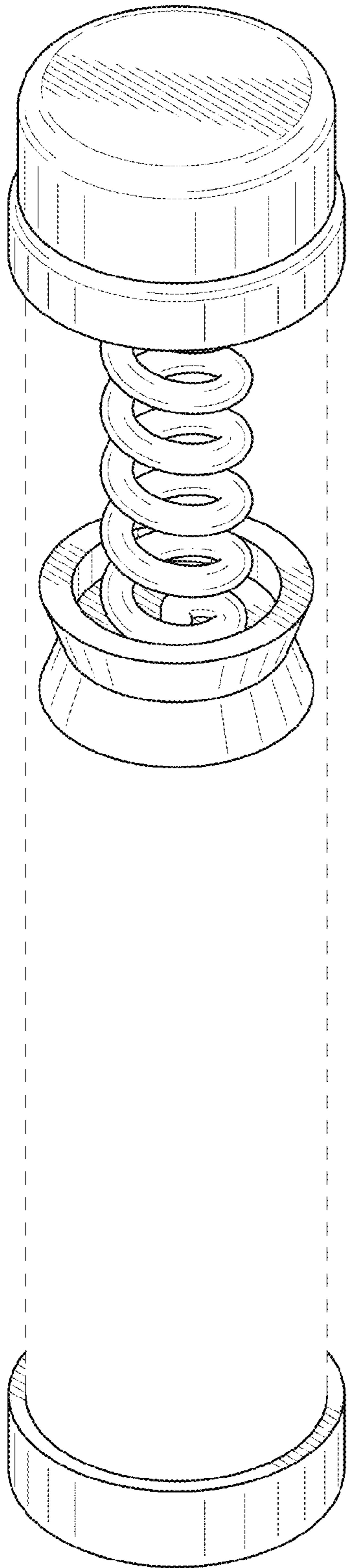


FIG. 9

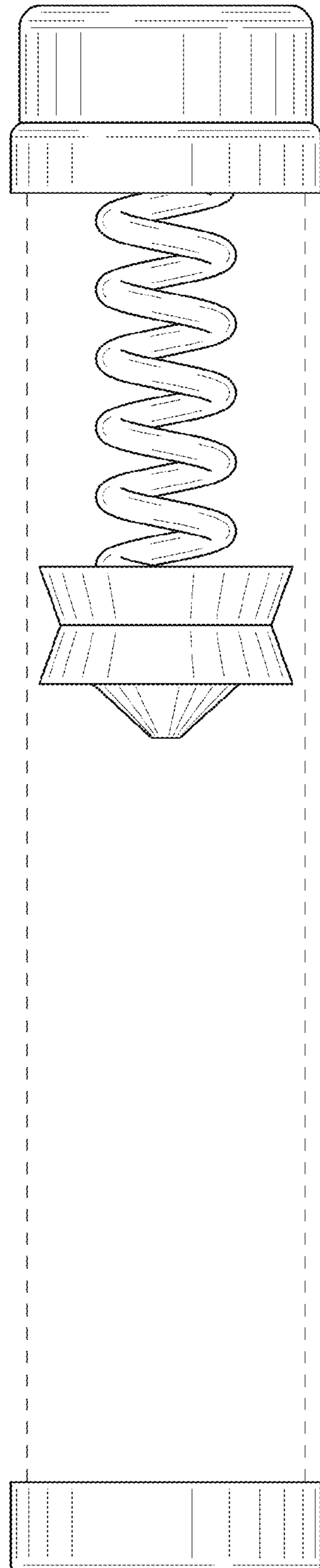


FIG. 10

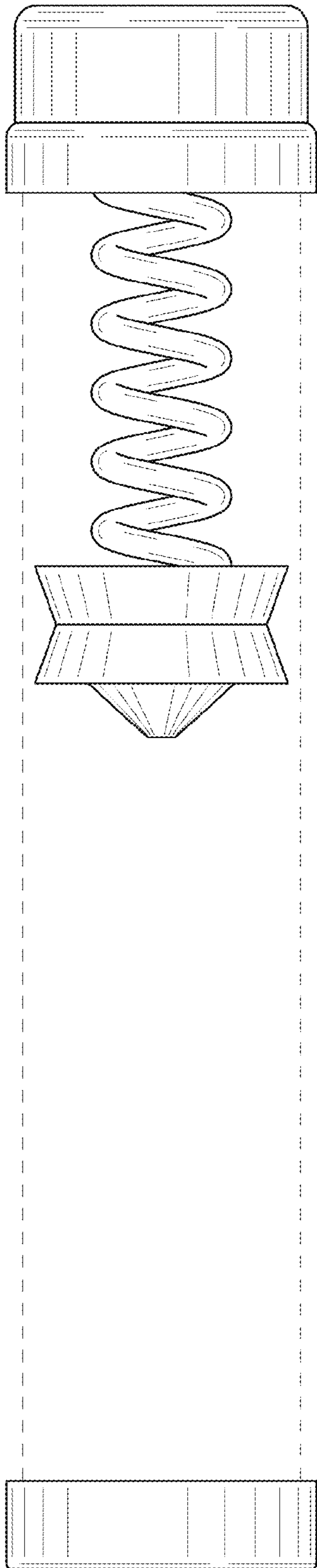


FIG. 11

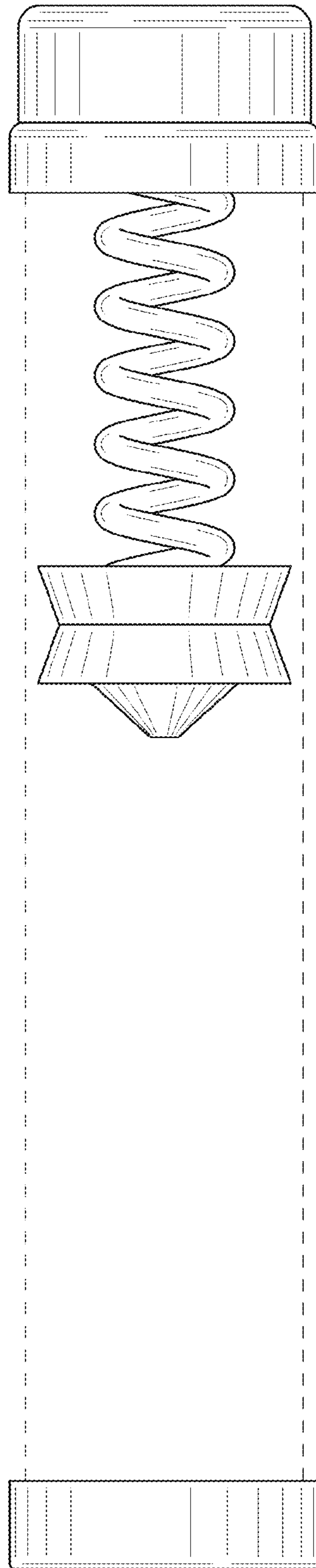


FIG. 12



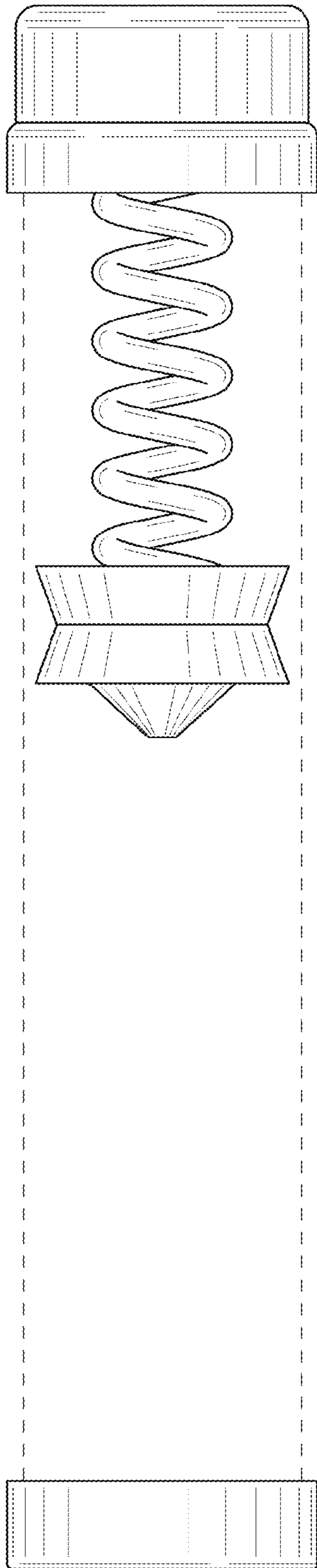


FIG. 13

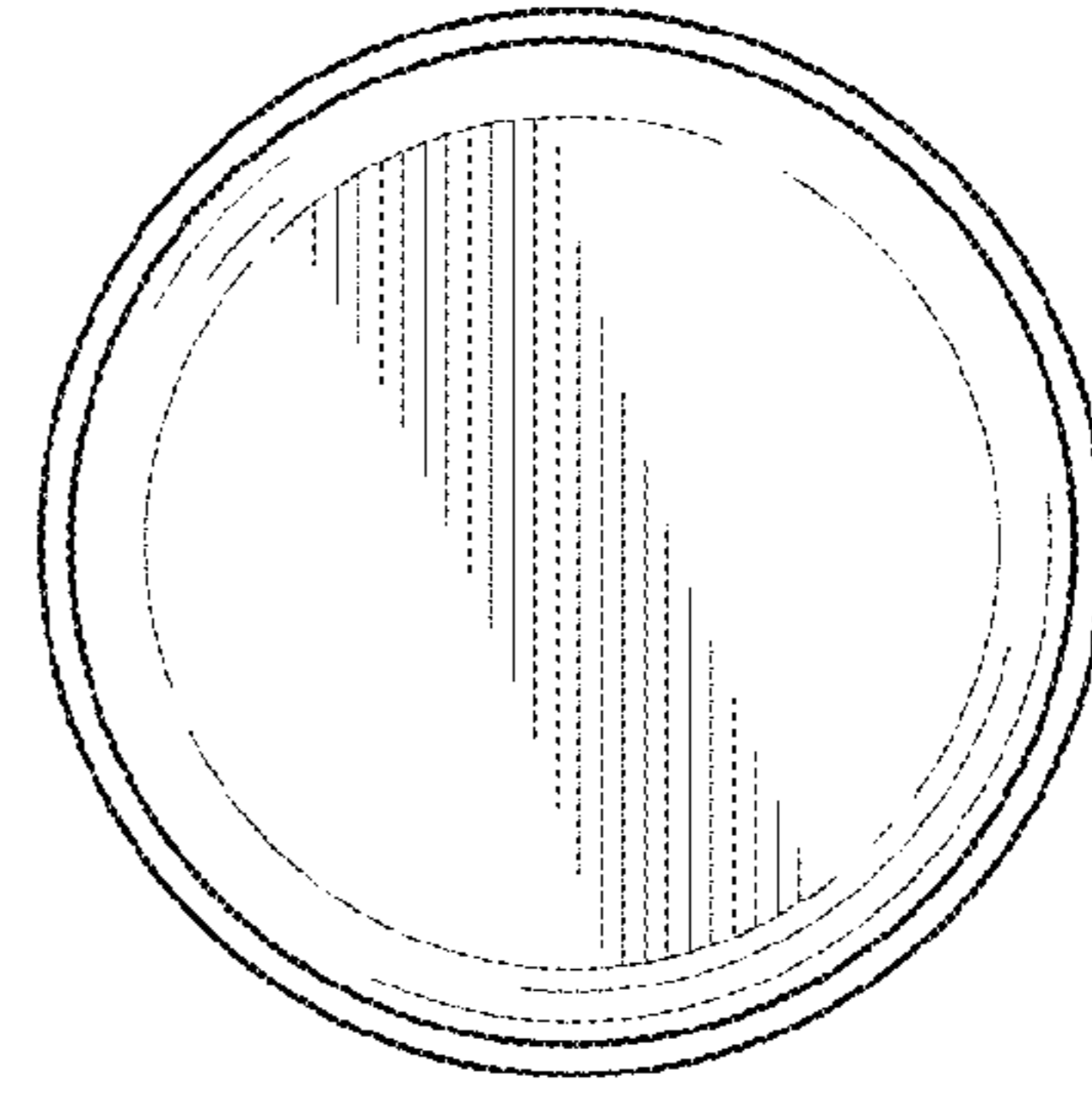


FIG. 14

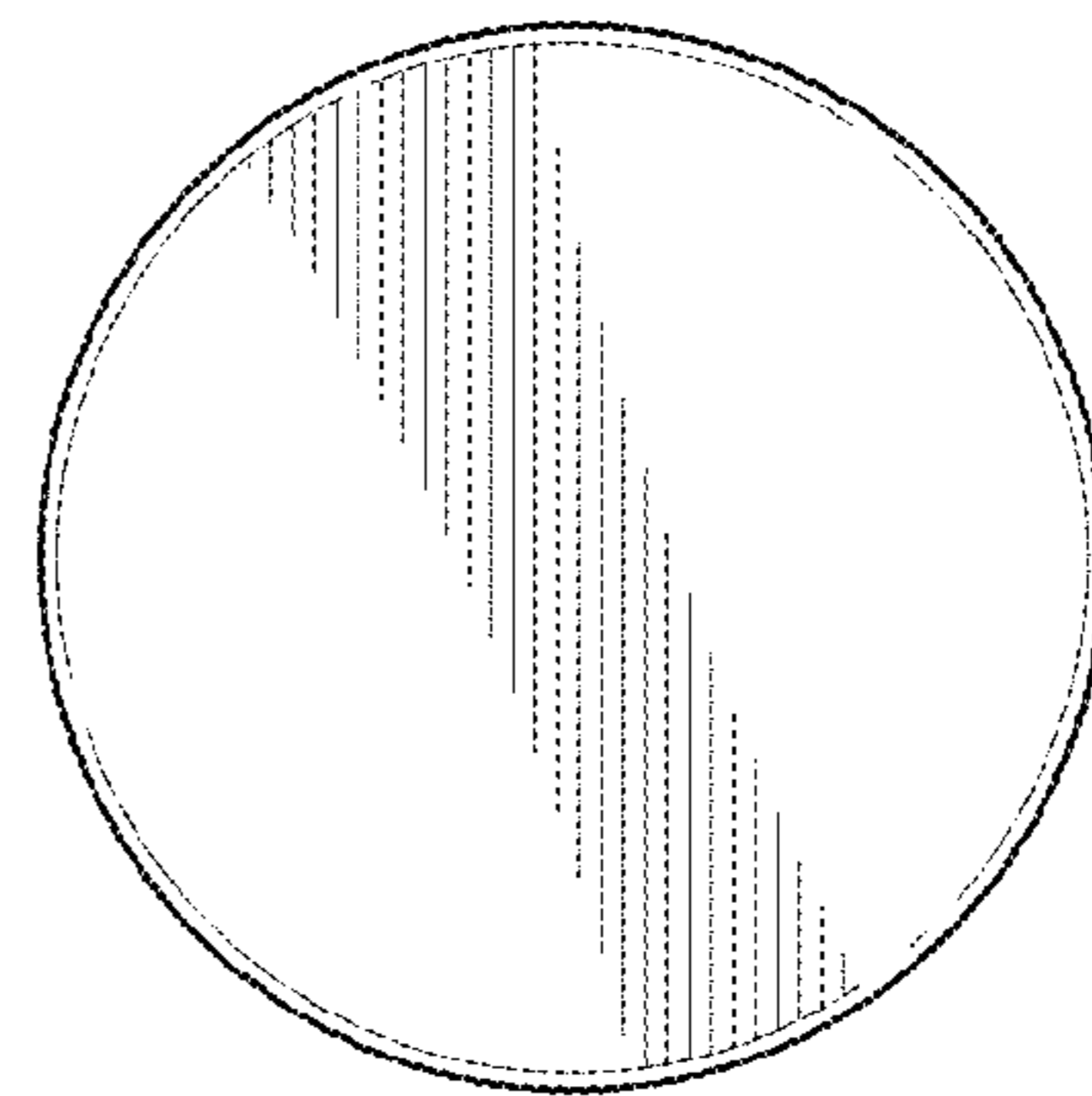


FIG. 15

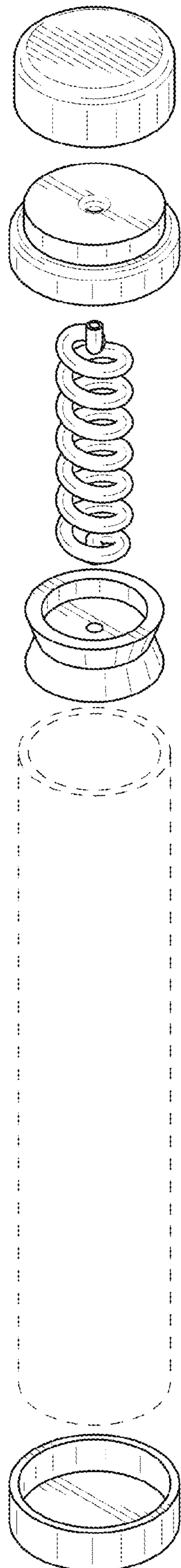


FIG. 16