



US00D916560S

(12) **United States Design Patent** (10) **Patent No.:** **US D916,560 S**  
**Wu** (45) **Date of Patent:** **\*\* Apr. 20, 2021**

(54) **LID FOR A BOTTLE**

(71) Applicant: **SHENZHEN GEXINNUO INTERNATIONAL TRADE CO., LTD.**, Shenzhen (CN)

(72) Inventor: **Zekai Wu**, Shenzhen (CN)

(73) Assignee: **SHENZHEN GEXINNUO INTERNATIONAL TRADE CO., LTD.**, Shenzhen (CN)

(\*\*) Term: **15 Years**

(21) Appl. No.: **29/695,055**

(22) Filed: **Jun. 14, 2019**

(51) **LOC (13) Cl.** ..... **07-01**

(52) **U.S. Cl.**  
USPC ..... **D7/392.1**

(58) **Field of Classification Search**  
USPC ..... D7/391, 392, 392.1, 396.1, 396.2, 397, D7/509, 510, 543, 629; D9/435, 443, D9/447, 449, 516  
CPC ... B65D 47/066; B65D 47/305; B65D 47/122  
See application file for complete search history.

(56) **References Cited**

**U.S. PATENT DOCUMENTS**

5,873,478	A *	2/1999	Sullivan	.....	A47G 19/2266
					215/389
6,523,711	B1 *	2/2003	Hughes	.....	A47G 19/2266
					215/308
D683,581	S *	6/2013	Archer	.....	D7/392.1
D704,986	S *	5/2014	Manies	.....	D7/392.1
D720,184	S *	12/2014	Gilbert	.....	D7/300.1
D811,162	S *	2/2018	Rane	.....	D7/396.2
D812,966	S *	3/2018	Murosky	.....	D7/392.1
D855,388	S *	8/2019	Potter	.....	D7/392
D862,985	S *	10/2019	Backs	.....	D7/511
D870,508	S *	12/2019	Palkon	.....	D7/392.1

D881,643	S *	4/2020	Fleischhut	.....	D7/396.2
2010/0193462	A1 *	8/2010	Roth	.....	B65D 81/18
					215/229
2014/0138395	A1 *	5/2014	Joy	.....	A47G 19/2272
					220/715

**OTHER PUBLICATIONS**

“Contigo Addison Waterbottle”. Found online May 15, 2020 at amazon.co.uk. Reference dated Jun. 24, 2011. Retrieved from [https://www.amazon.co.uk/...53FFGHY/ref=sr\\_1\\_21?crd=3RSVDAKWD8BN7&dchild=1&keywords=contigo+addison&qid=1589570808&sprefix=contigo+add%2Caps%2C226&sr=8-21.\\*](https://www.amazon.co.uk/...53FFGHY/ref=sr_1_21?crd=3RSVDAKWD8BN7&dchild=1&keywords=contigo+addison&qid=1589570808&sprefix=contigo+add%2Caps%2C226&sr=8-21.*)

(Continued)

*Primary Examiner* — Kendra Leslie Hamilton

(74) *Attorney, Agent, or Firm* — Law Offices of Steven W. Weinrieb

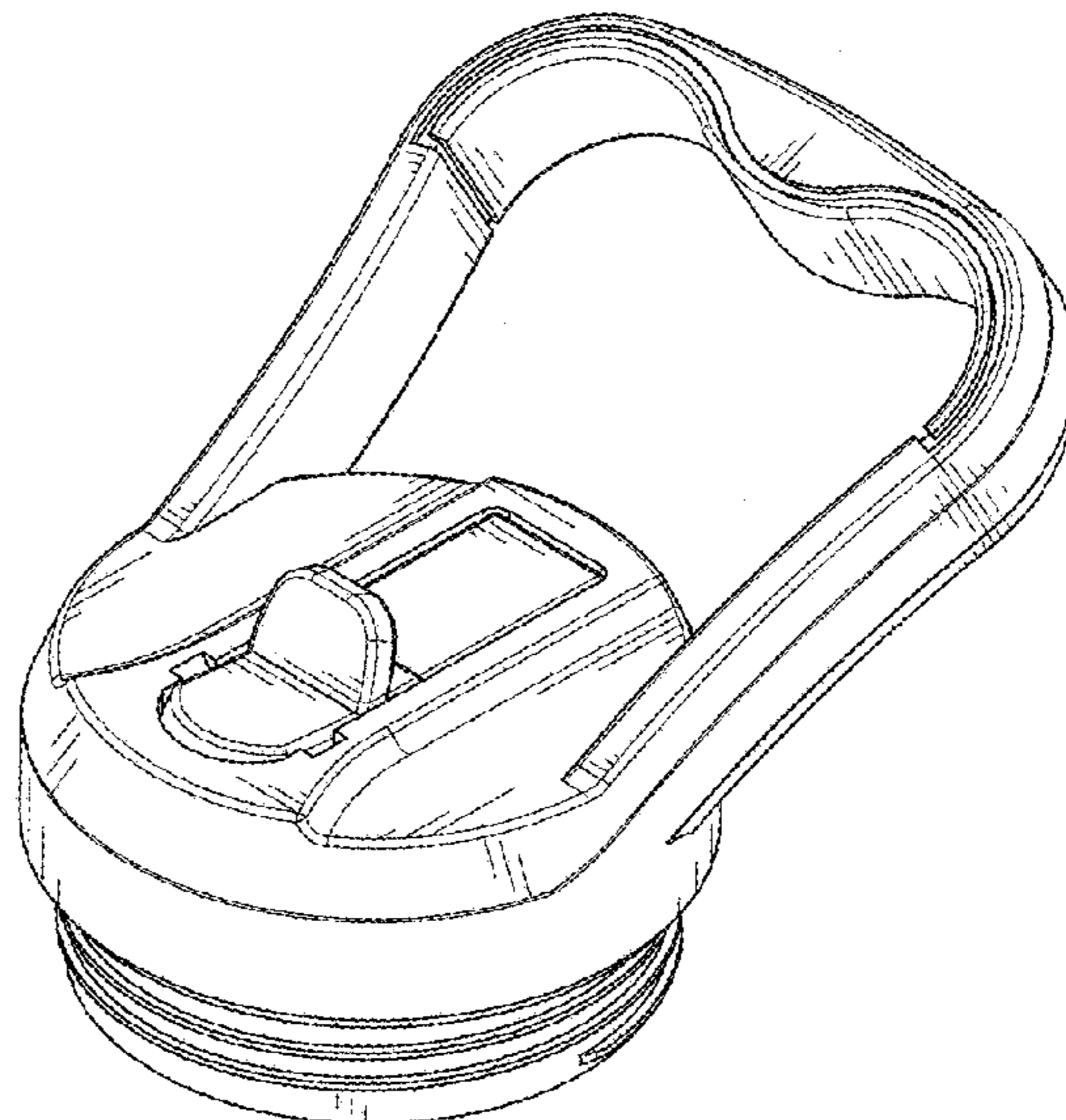
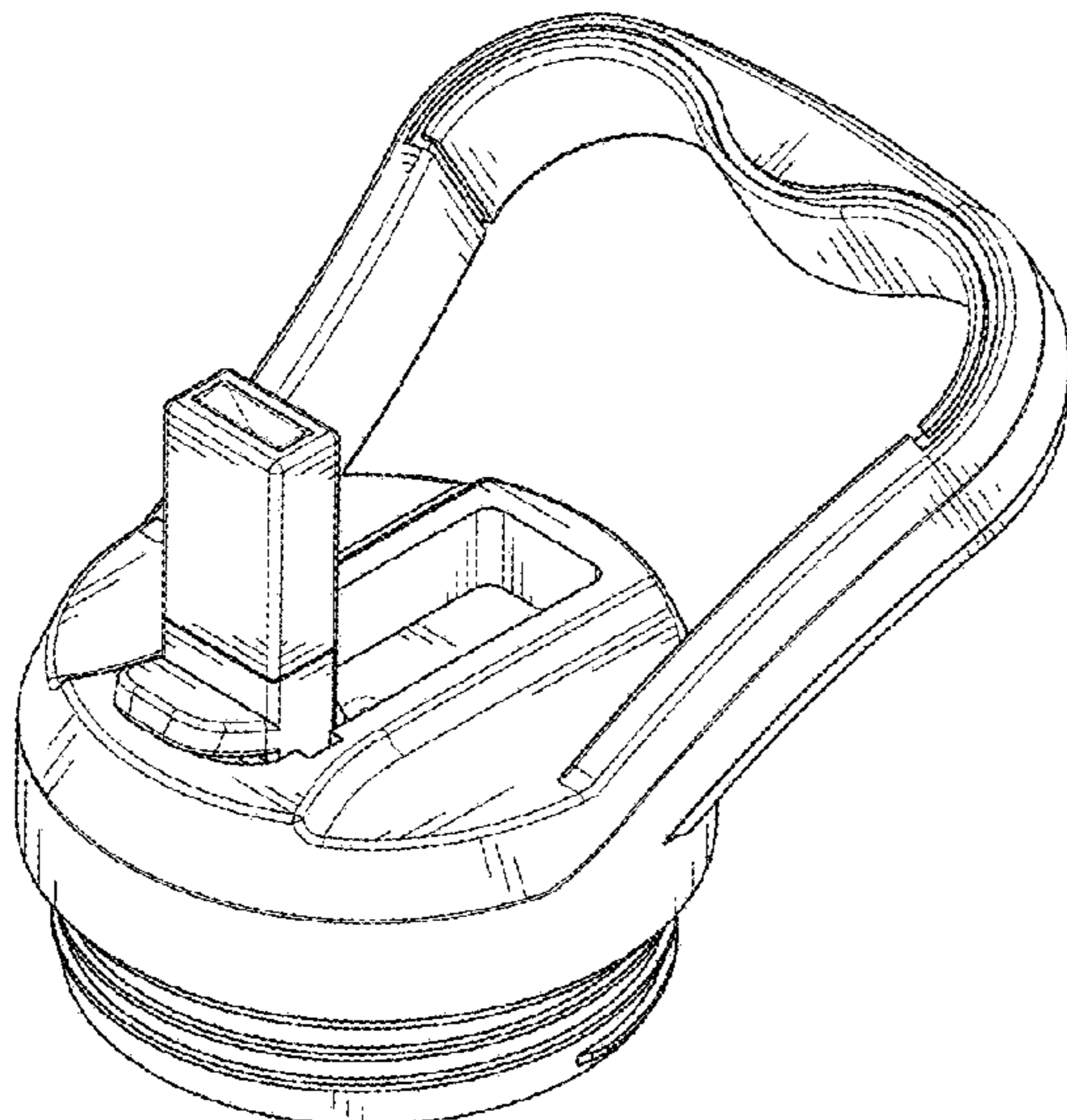
(57) **CLAIM**

The ornamental design for a lid for a bottle, as shown and described.

**DESCRIPTION**

FIG. 1 is a top, front, right perspective view of a showing my new design in a first configuration for use with the straw shown in an opened position;  
FIG. 2 is a bottom, rear, left perspective view thereof;  
FIG. 3 is a front elevation view thereof;  
FIG. 4 is a rear elevation view thereof;  
FIG. 5 is a left side elevation view thereof;  
FIG. 6 is a right side elevation view thereof;  
FIG. 7 is a top plan view thereof;  
FIG. 8 is a bottom plan view thereof; and,  
FIG. 9 is a top, front, right perspective view of the of FIG. 1, shown in a second configuration for use with the straw shown in its closed position.  
The broken lines depict portions of the lid for a bottle that form no part of the claimed design.

**1 Claim, 9 Drawing Sheets**



(56)

**References Cited**

OTHER PUBLICATIONS

“Unibos Flip Straw Water Bottle”. Found online Jan. 3, 2020 at amazon.co.uk. Reference dated Apr. 25, 2015. Retrieved from [https://www.amazon.co.uk/Unibos-Tritan-Drinks-Hydration-Cycling/dp/B00WODRMZC/ref=sr\\_1\\_149?dchild=1&keywords=STRAW+bottle&qid=1578082044&sr=8-149](https://www.amazon.co.uk/Unibos-Tritan-Drinks-Hydration-Cycling/dp/B00WODRMZC/ref=sr_1_149?dchild=1&keywords=STRAW+bottle&qid=1578082044&sr=8-149).\*

“AVEX Freestyle Kids Autospout Water Bottle”. Found online Oct. 24, 2017 at amazon.com. Reference dated Jul. 15, 2014. Retrieved from [https://www.amazon.com/Freestyle-Autospout-Bottle-Orange-Superhero/dp/B00X0YTDCO/ref=sr\\_1\\_4?ie=UTF8&qid=1508879300&sr=8-4&keywords=avex](https://www.amazon.com/Freestyle-Autospout-Bottle-Orange-Superhero/dp/B00X0YTDCO/ref=sr_1_4?ie=UTF8&qid=1508879300&sr=8-4&keywords=avex).\*

\* cited by examiner

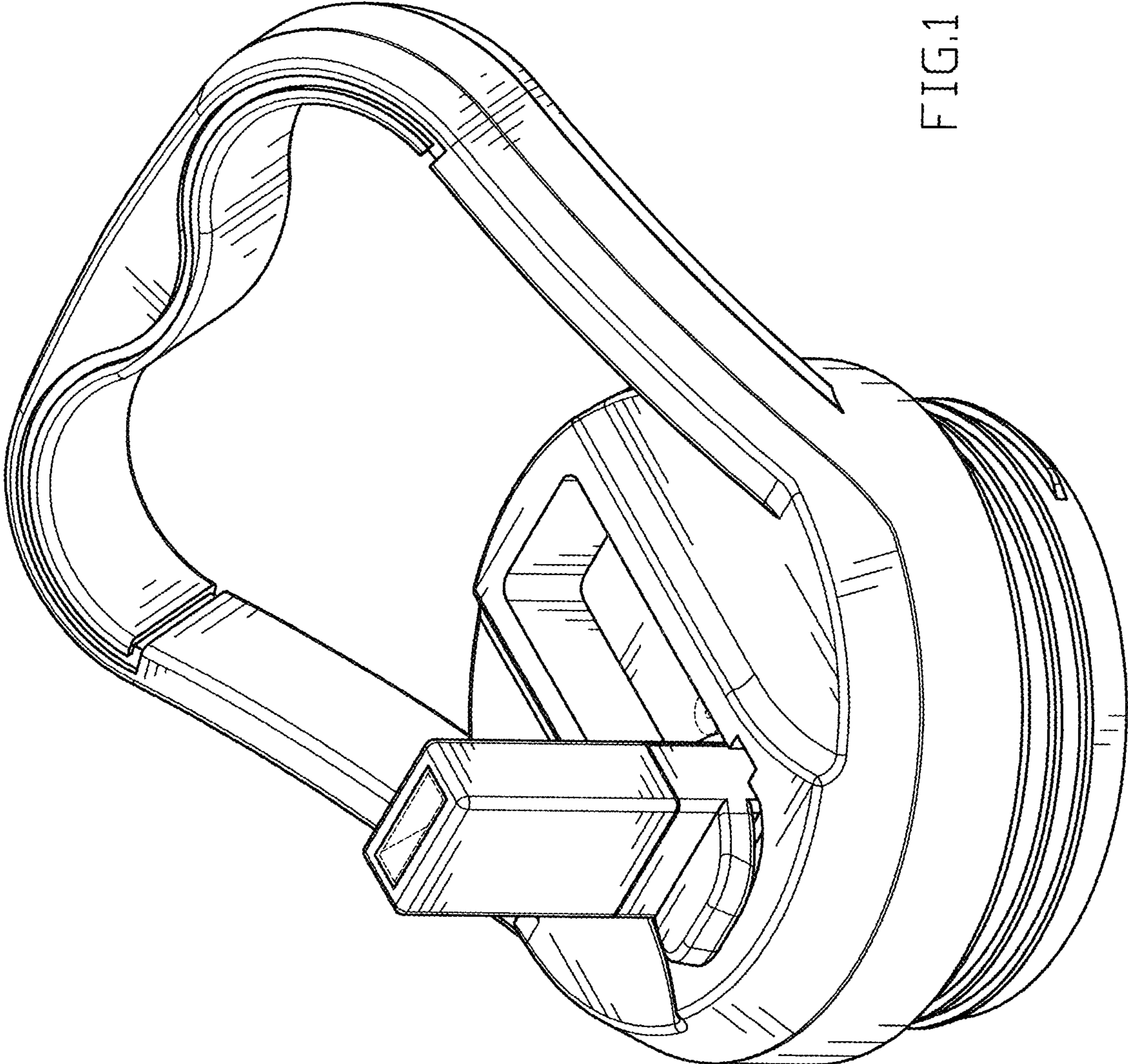


FIG. 1

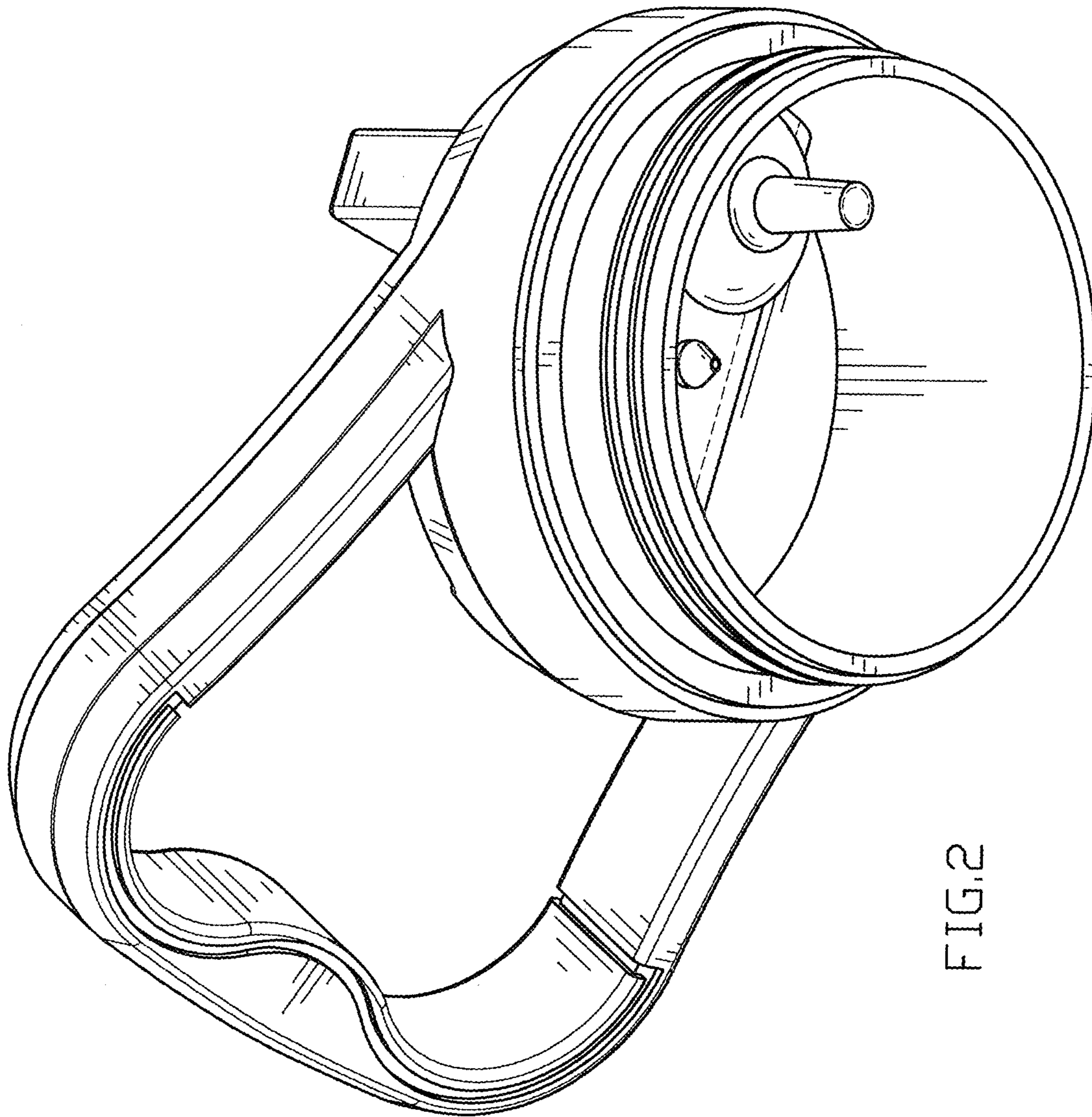


FIG.2

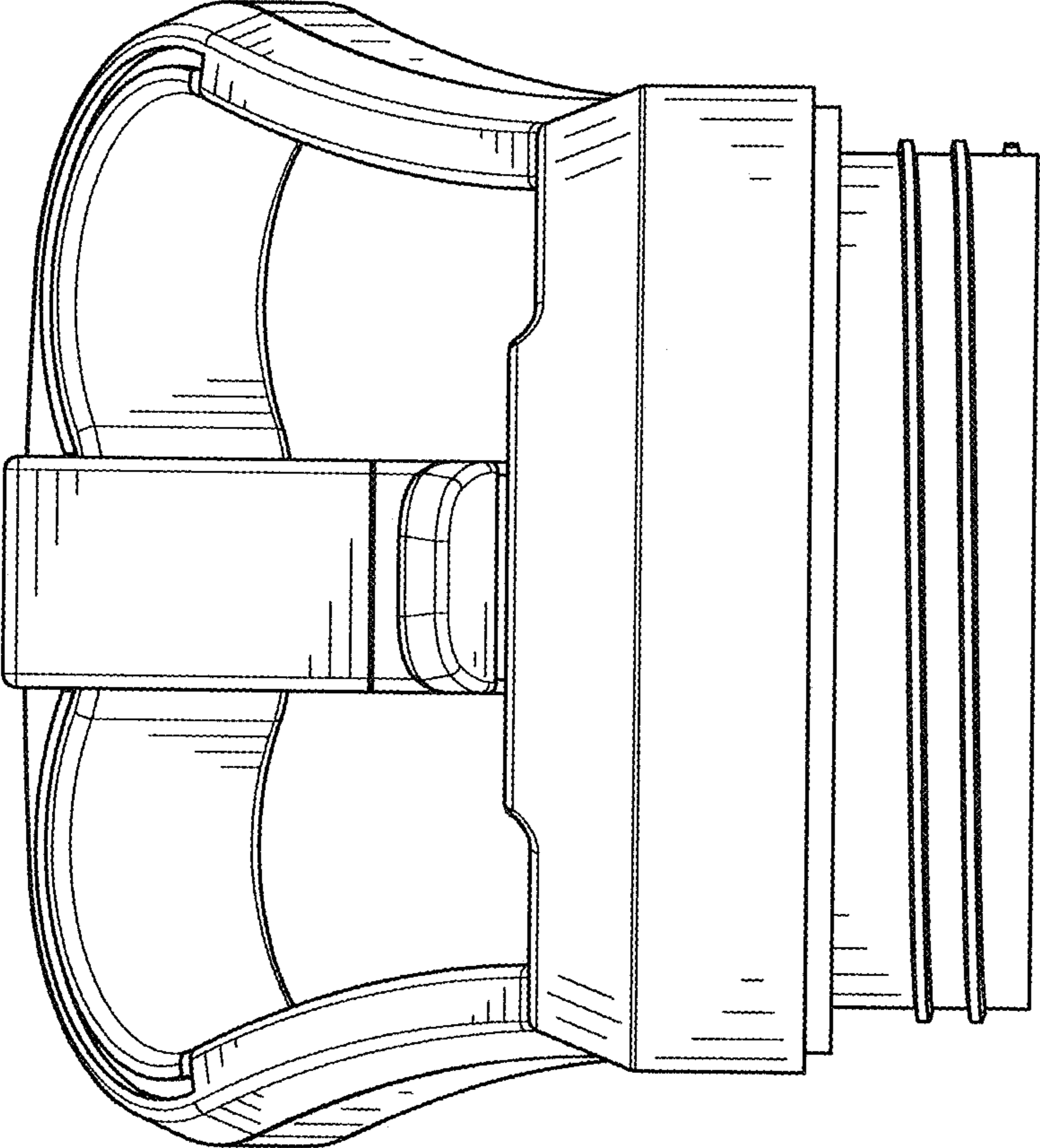


FIG.3

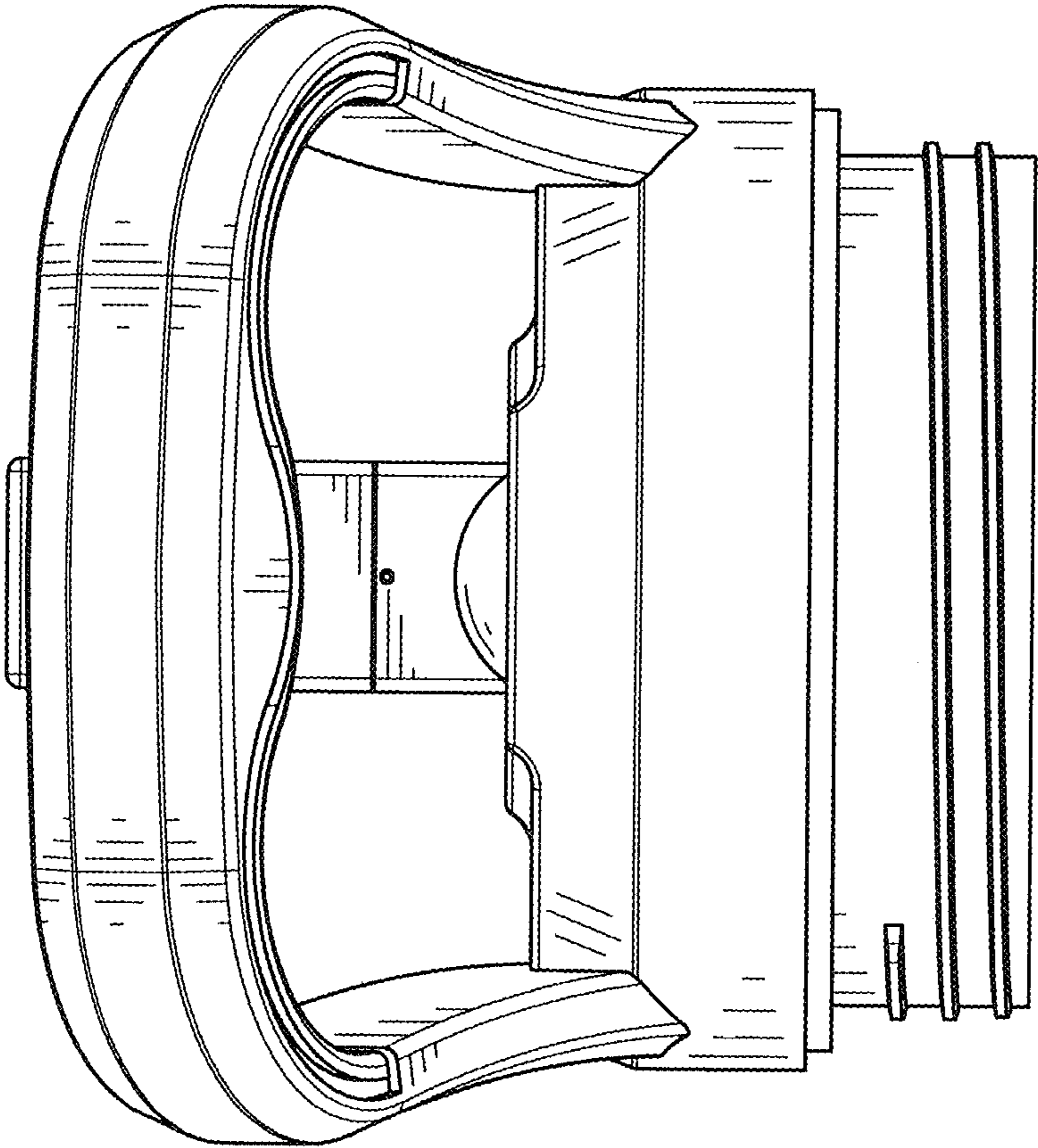


FIG.4

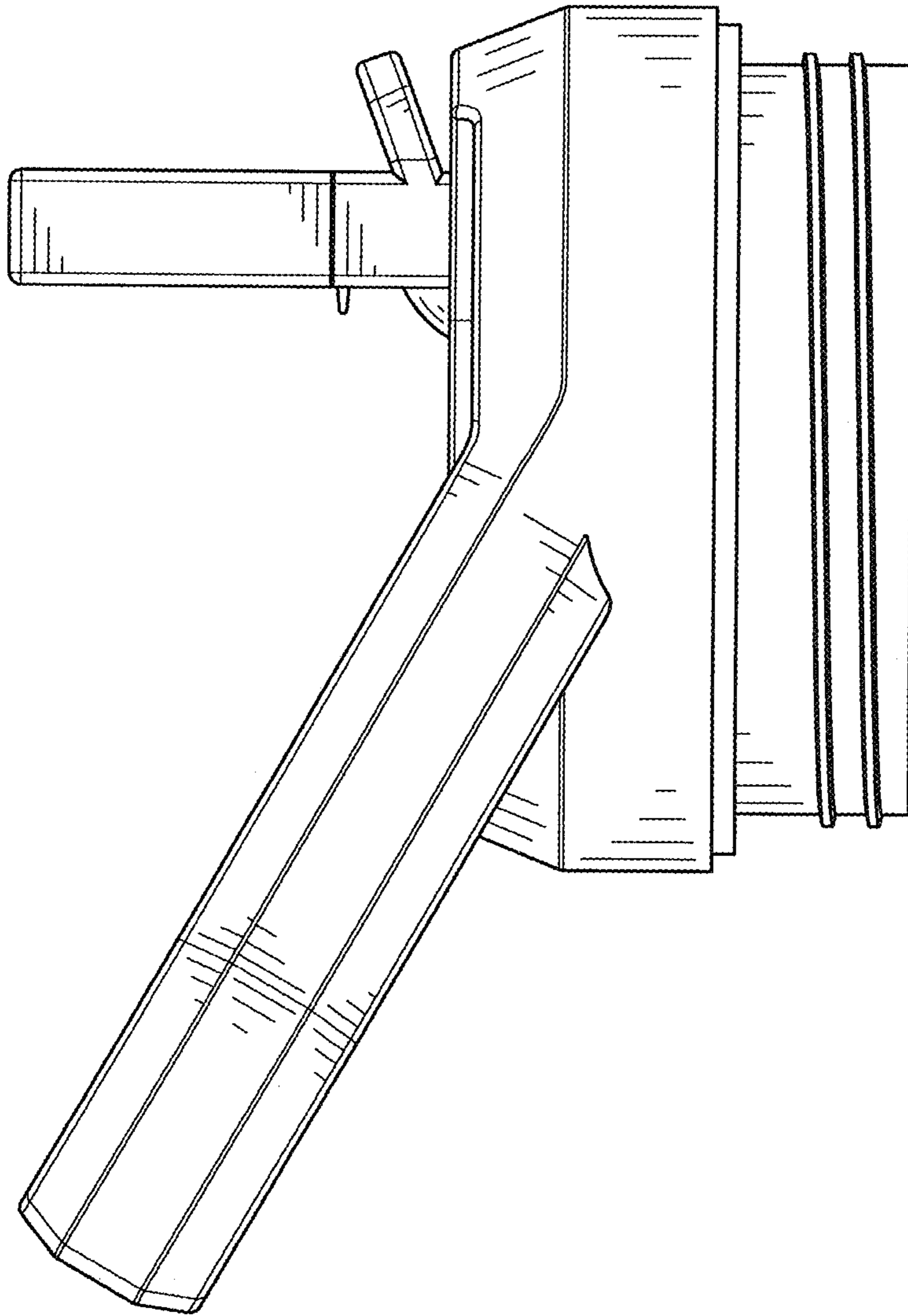


FIG.5

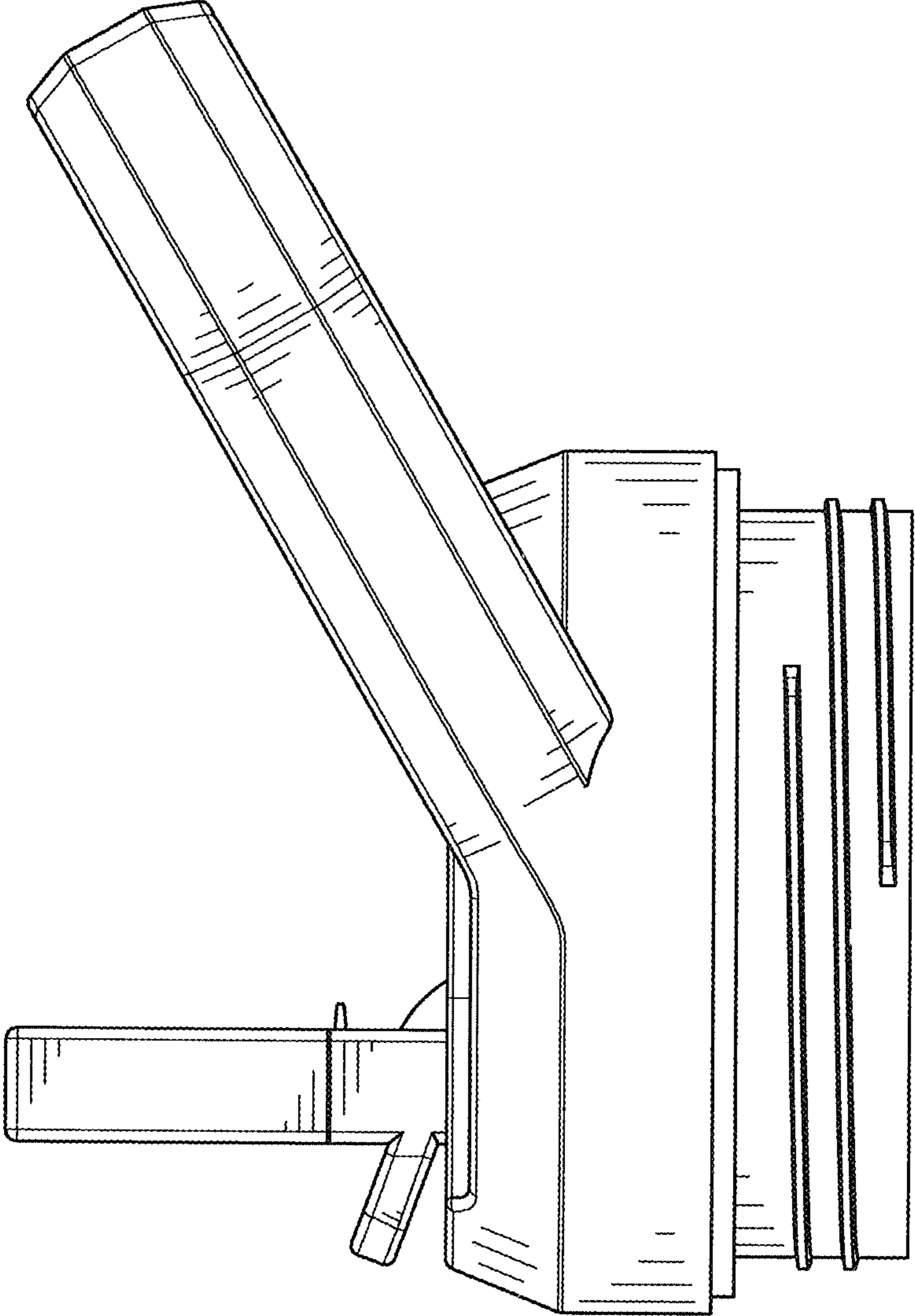


FIG.6



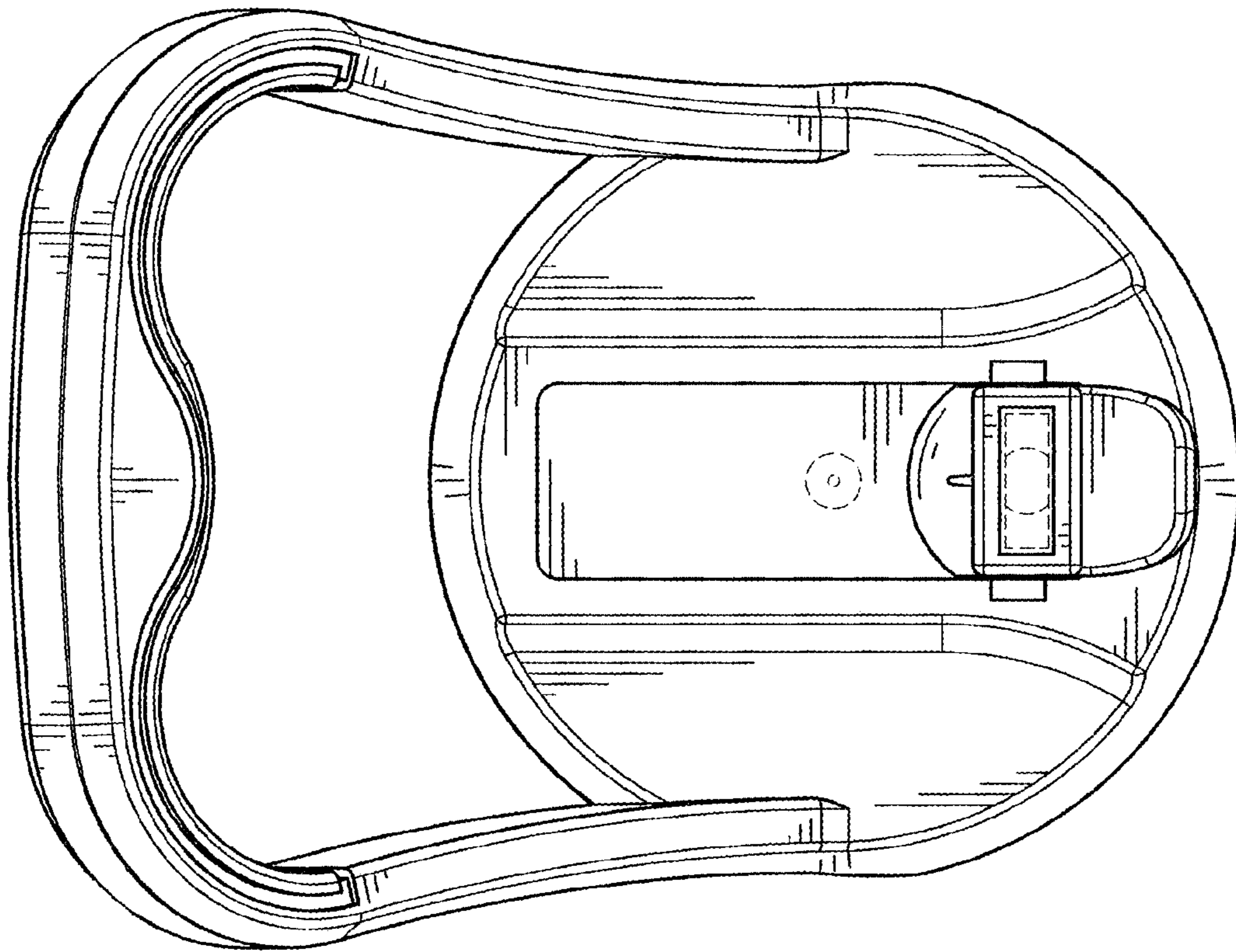


FIG.7

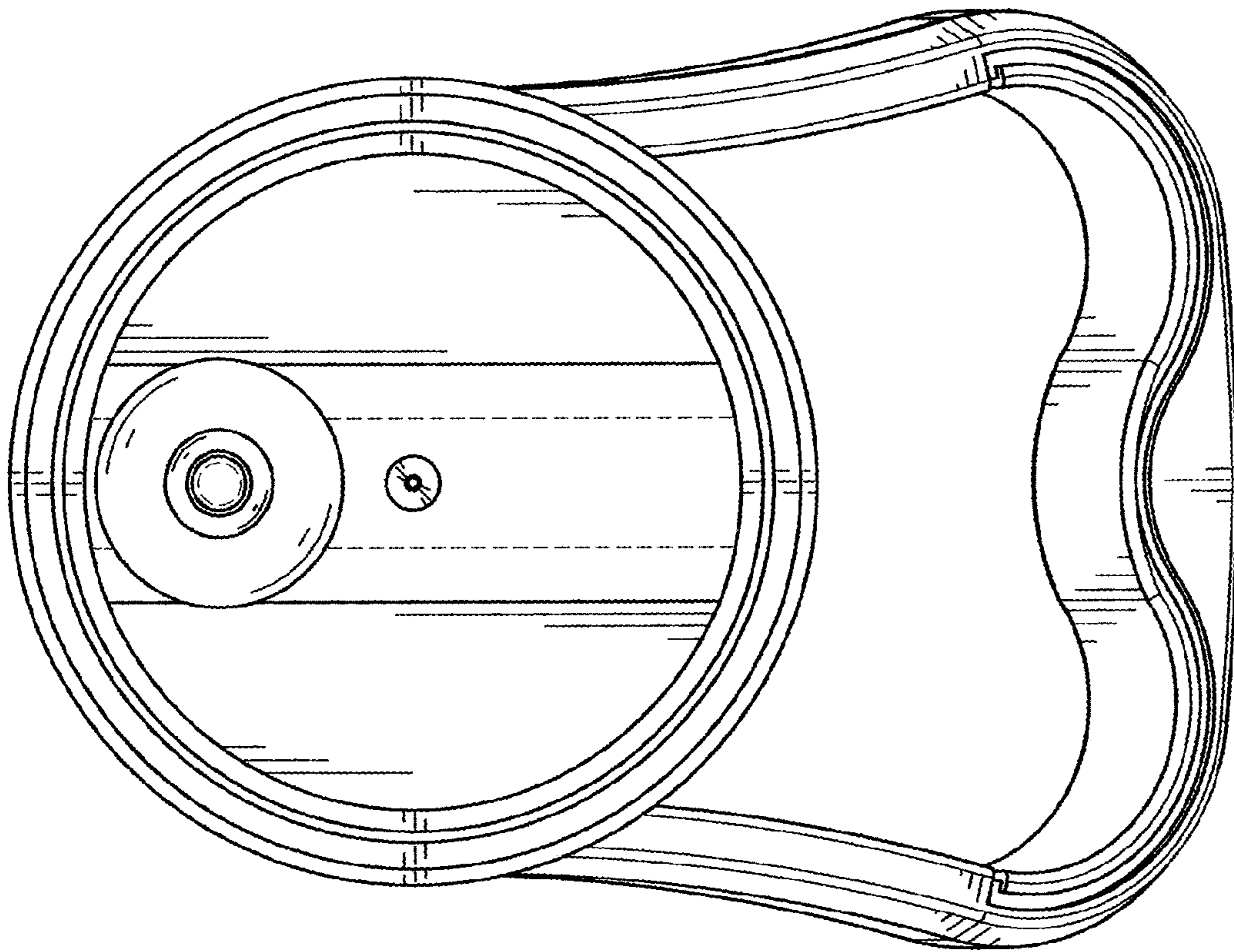


FIG.8

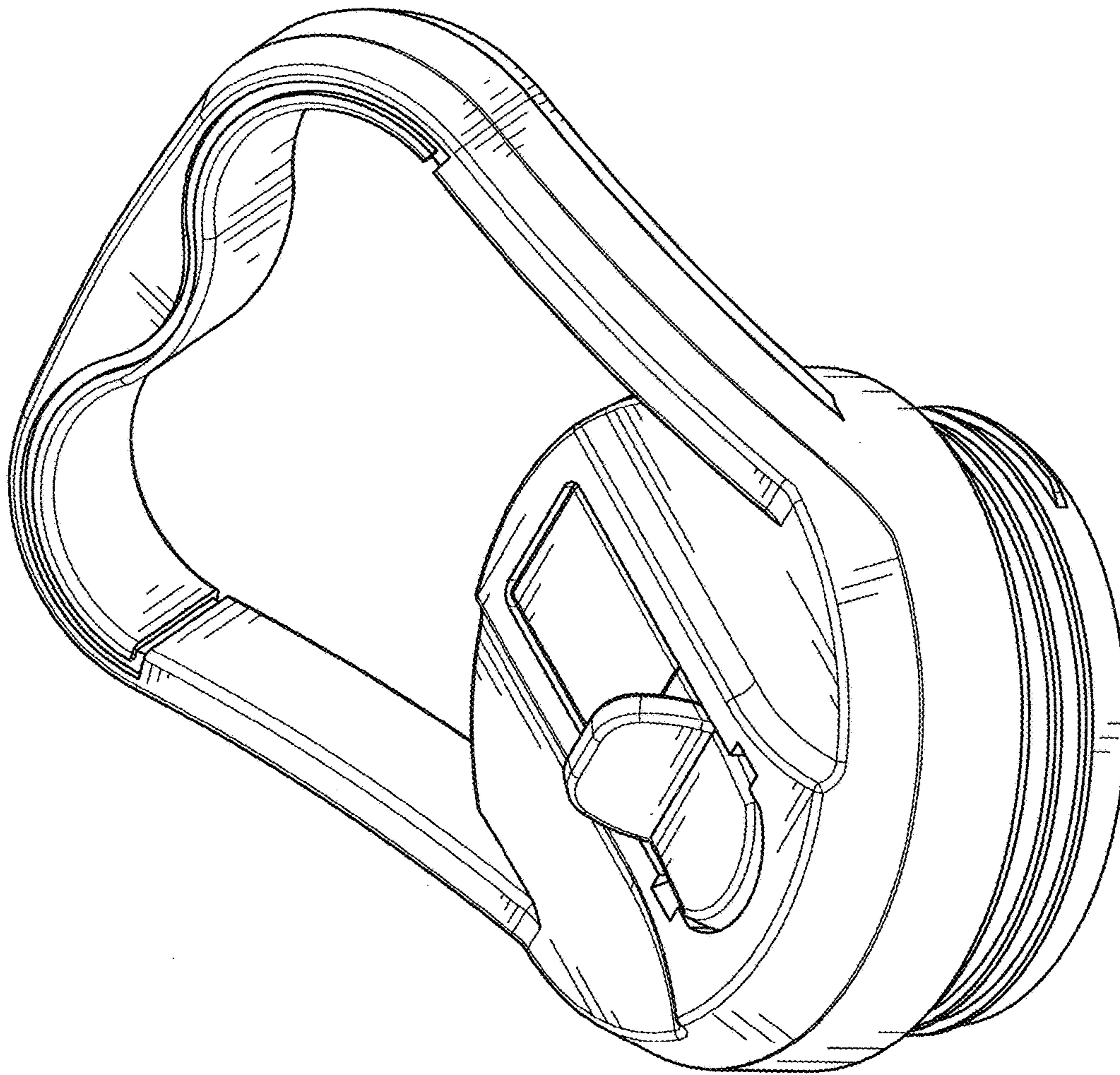


FIG.9