



US00D916552S

(12) **United States Design Patent**
Veldkamp

(10) **Patent No.:** **US D916,552 S**

(45) **Date of Patent:** **** Apr. 20, 2021**

(54) **TRIVET**

(71) Applicant: **Spectrum Diversified Designs, LLC,**
Streetsboro, OH (US)

(72) Inventor: **Derek Veldkamp,** Seattle, WA (US)

(73) Assignee: **Spectrum Diversified Designs, LLC,**
Streetsboro, OH (US)

(**) Term: **15 Years**

(21) Appl. No.: **29/699,572**

(22) Filed: **Jul. 26, 2019**

(51) **LOC (13) Cl.** **07-06**

(52) **U.S. Cl.**
USPC **D7/389**

(58) **Field of Classification Search**
USPC D11/14, 81, 44, 48, 51, 61, 73, 78.1, 99,
D11/116, 125, 133, 149, 157, 168, 204,
D11/211, 217, 219, 228, 232, 238;
D19/40; D20/10, 29, 42; D21/414, 490,
D21/493, 611, 618; D1/107, 126;
D7/213, 301, 342, 345, 387-389, 407,
D7/439, 506, 514, 544, 551.1, 566, 559,
D7/563, 564, 567, 571, 624.1, 675;
D9/609, 658, 667; D26/4, 30, 31, 32, 94;
D6/404; D25/111, 141
CPC G09F 7/00; G09F 7/16; G09F 2007/122;
G09F 13/00; G09F 13/04; G09F 13/06;
G09F 13/18; G09F 13/22; G09F 13/24;
G09F 2013/1895; G09F 15/00; B41N
1/00; H05B 3/40; F16M 2200/00; A47F
5/01; A47J 36/34

See application file for complete search history.

(56) **References Cited**

U.S. PATENT DOCUMENTS

2,104,547 A * 1/1938 Perseguiti G09F 7/02
40/596
2,853,819 A * 9/1958 Leesch G09F 13/00
40/545

D188,556 S * 8/1960 Theisen D7/388
D399,386 S * 10/1998 Goodman D7/388
D429,365 S * 8/2000 Visser D26/94
D432,811 S * 10/2000 Kulkey D11/149
D479,094 S * 9/2003 Ancona D7/213

(Continued)

FOREIGN PATENT DOCUMENTS

CA 132249 * 10/2009
CN 304818241 * 9/2018

(Continued)

OTHER PUBLICATIONS

Home Basics, "Home Basics Amsterdam Collection Decorative Cast Iron Trivet," Jan. 1, 2010, Amazon.com, www.amazon.com/dp/B071GDSVDP (Year: 2010).*

(Continued)

Primary Examiner — Shannon W Morgan
Assistant Examiner — Arva P Adams
(74) *Attorney, Agent, or Firm* — Tucker Ellis LLP

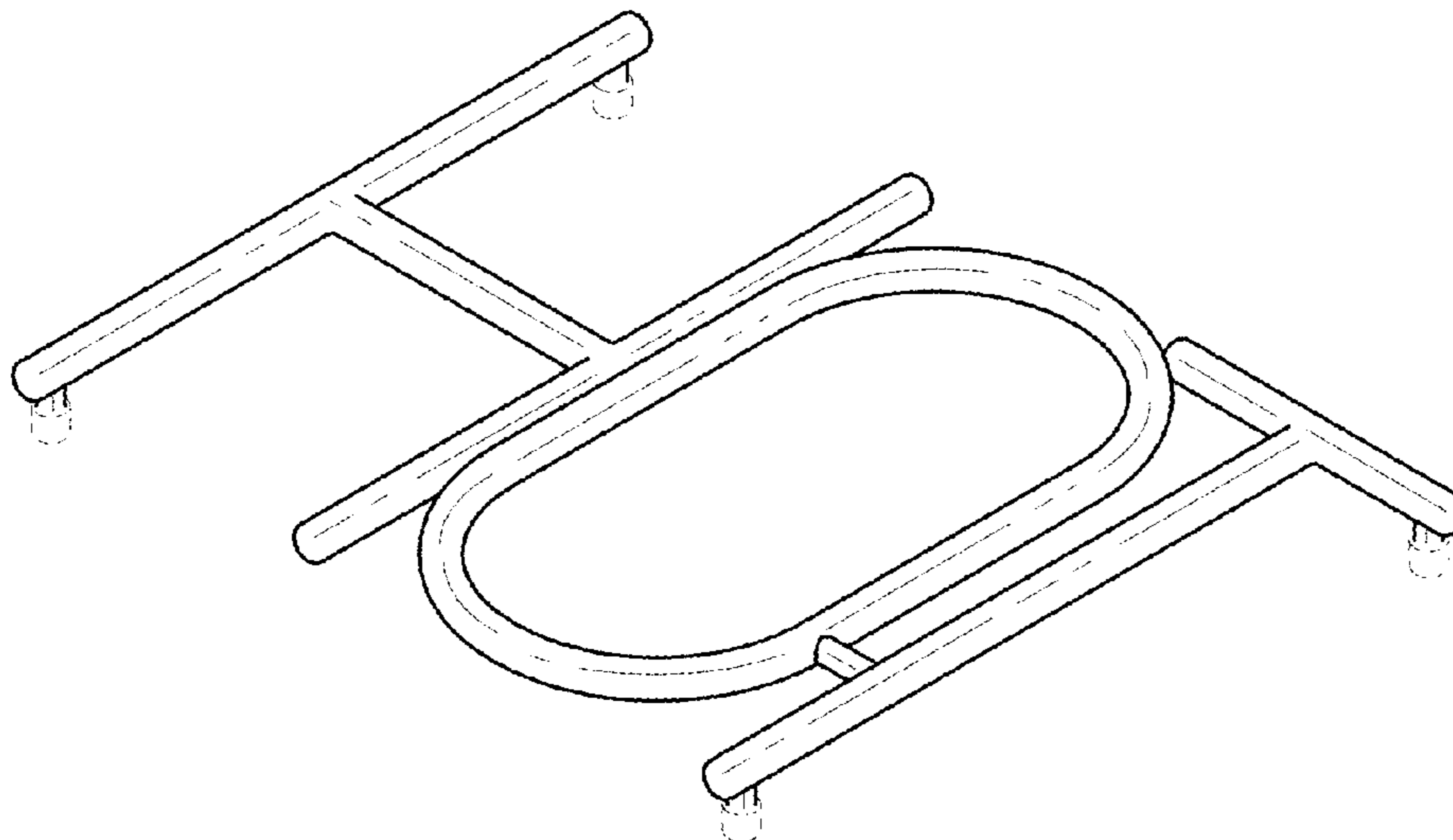
(57) **CLAIM**

The ornamental design for a trivet, as shown and described.

DESCRIPTION

FIG. 1 is a perspective view of a trivet showing my new design.
FIG. 2 is a front view thereof.
FIG. 3 is a rear view thereof.
FIG. 4 is a left side view thereof.
FIG. 5 is a right side view thereof.
FIG. 6 is a top view thereof; and,
FIG. 7 is a bottom view thereof.
The broken lines show portions of the design that form no part of the claimed design.

1 Claim, 4 Drawing Sheets



(56)

References Cited

U.S. PATENT DOCUMENTS

D563,732 S * 3/2008 Goodman D7/624.1
D582,988 S * 12/2008 Donnelly D20/10
D632,923 S * 2/2011 Goodman D7/388
D675,056 S * 1/2013 Goodman D7/389
D702,994 S * 4/2014 Goodman G09F 13/00
D709,319 S * 7/2014 Goodman G09F 7/02
D7/388
D7/389

FOREIGN PATENT DOCUMENTS

CN 305421115 * 11/2019
IL 58256 * 3/2018

OTHER PUBLICATIONS

Jantec Sign Group, "Hot Wings with Flames Neon Sign," Jan. 1, 2012, Amazon.com, www.amazon.com/dp/B00IEH27ZM (Year: 2012).*

Spectrum Diversified, "Spectrum Diversified Hot Trivet," Aug. 1, 2020, Amazon.ca, www.amazon.ca/dp/B08DWPQ67N (Year: 2020).*

Procook Cast Iron Not Trivet Red, Amazon UK website, <https://www.amazon.co.uk/Pro-Cook-Cast-Iron-HOT-Trivet/dp/B00G94XACG>, dated Jul. 15, 2019, 1 page.

* cited by examiner

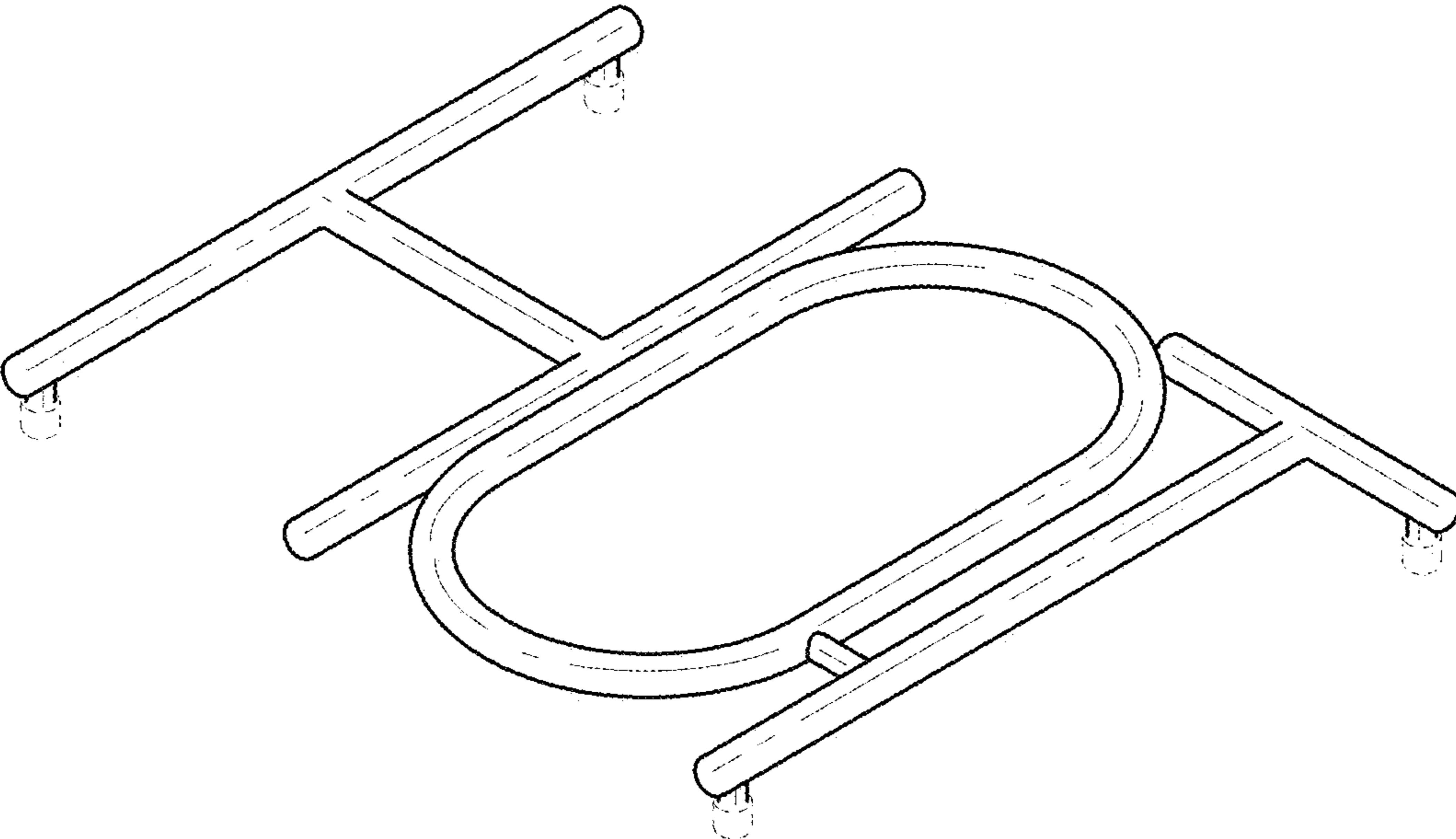


FIG. 1

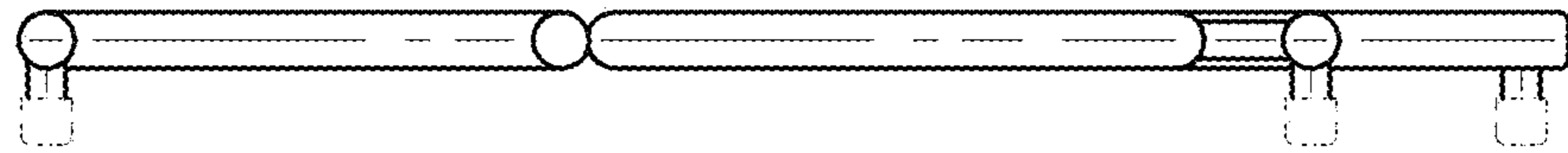


FIG. 2

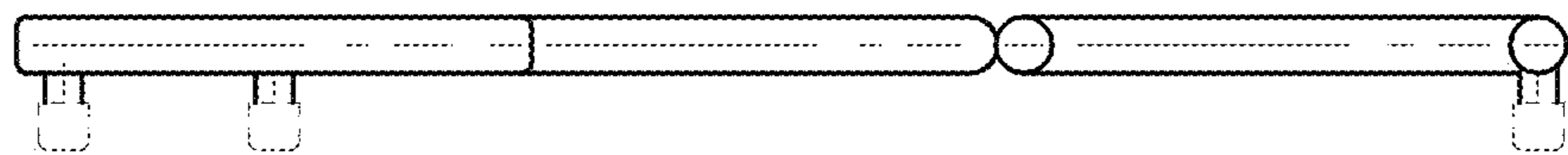


FIG. 3

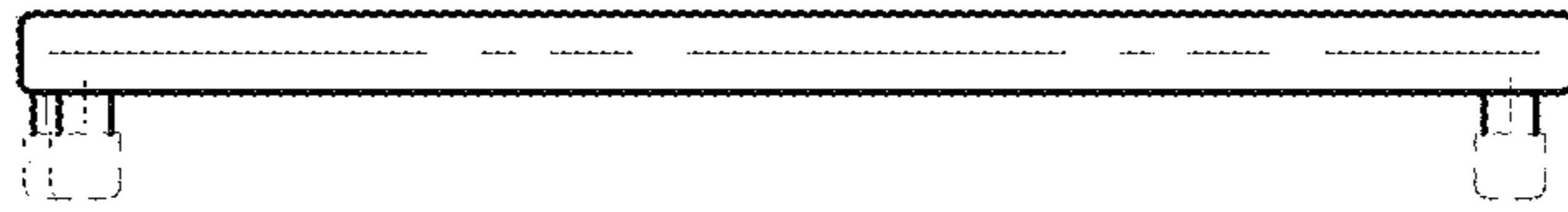


FIG. 4

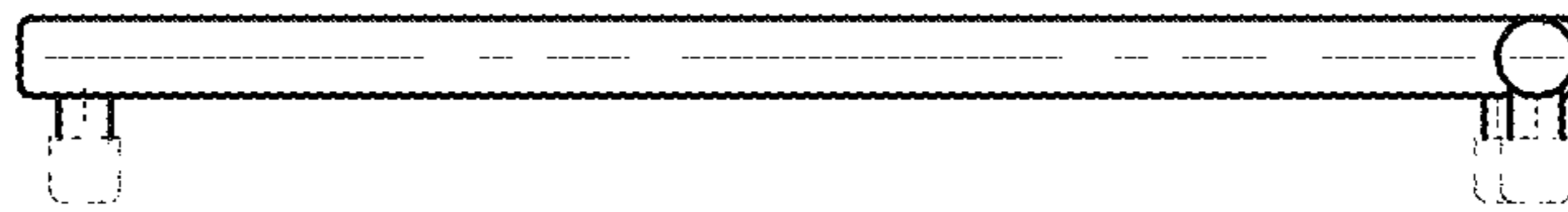


FIG. 5

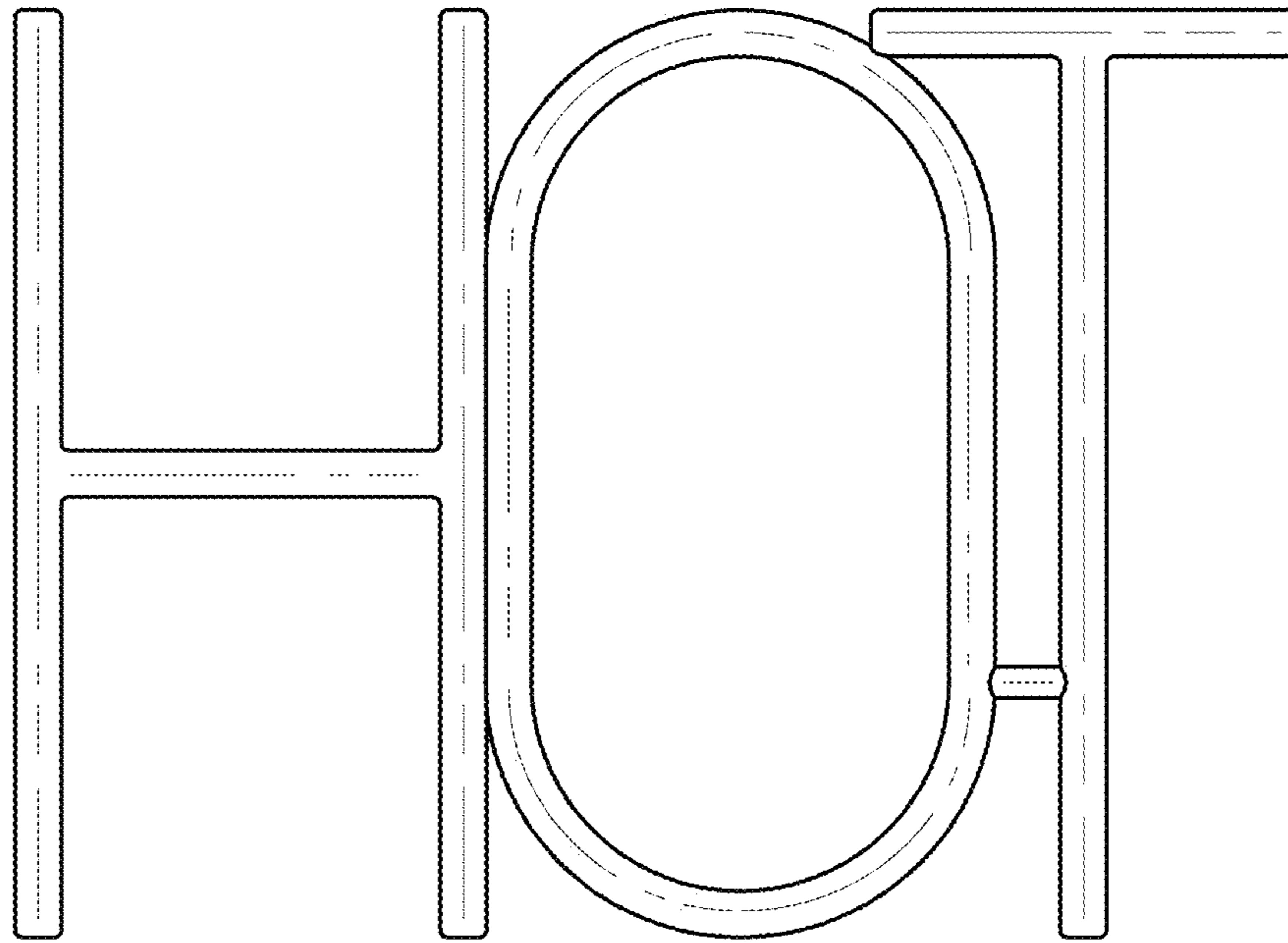


FIG. 6

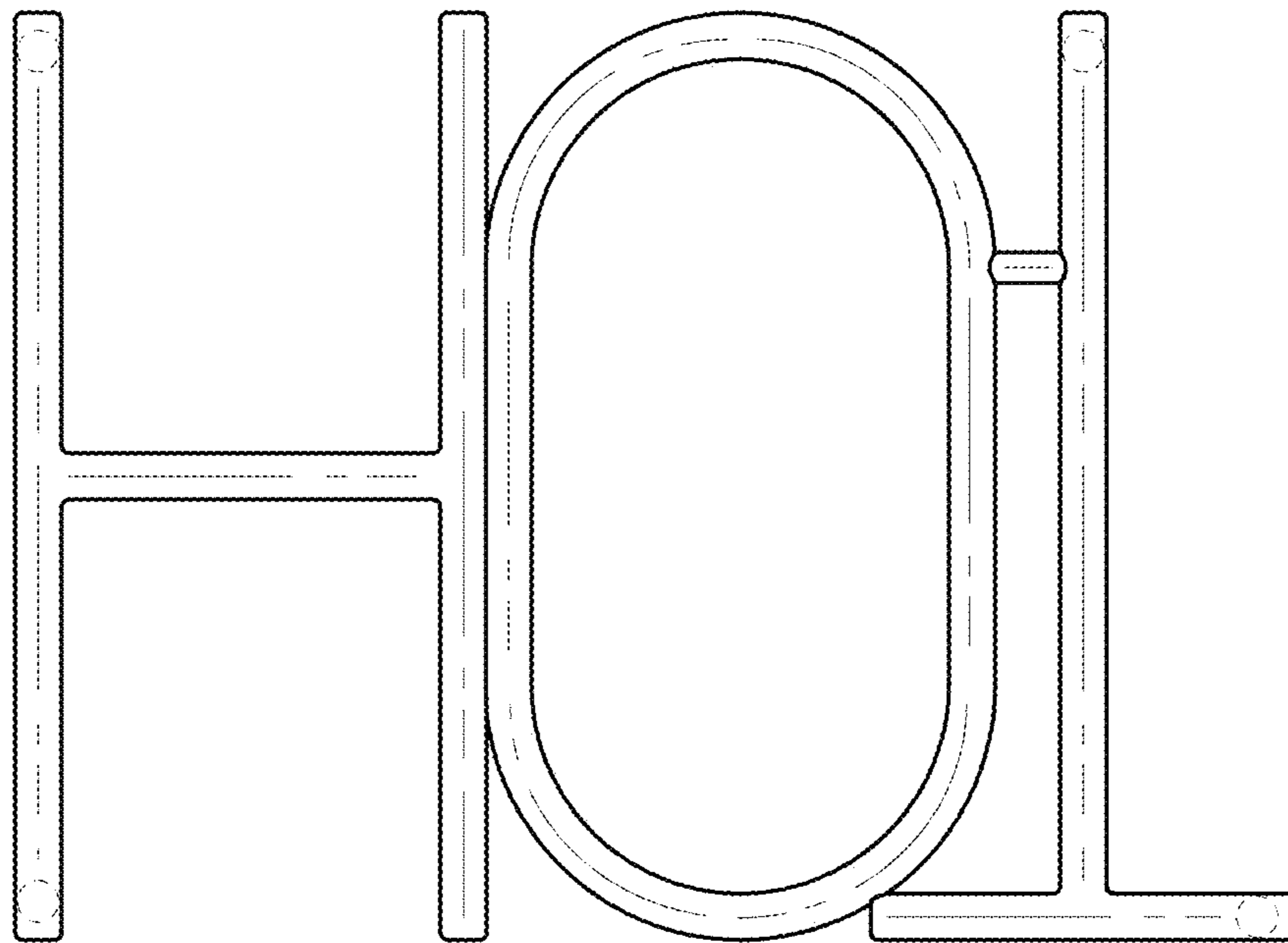


FIG. 7