



US00D916550S

(12) **United States Design Patent**
Chen

(10) **Patent No.:** **US D916,550 S**
(45) **Date of Patent:** **** Apr. 20, 2021**

(54) **ELECTRIC WHISK**

(71) Applicant: **Tao Chen**, Shenzhen (CN)

(72) Inventor: **Tao Chen**, Shenzhen (CN)

(**) Term: **15 Years**

(21) Appl. No.: **29/747,873**

(22) Filed: **Aug. 26, 2020**

(51) **LOC (13) Cl.** **31-00**

(52) **U.S. Cl.**
USPC **D7/380**; D7/376; D7/378; D7/379

(58) **Field of Classification Search**
USPC D7/372, 376-386, 412-413, 602, 629,
D7/665-666, 669, 679, 693-694

CPC A21C 1/02; A21C 1/04; A23N 1/00; A23N
1/02; A47J 43/04; A47J 43/25; A47J
43/27; A47J 43/042; A47J 43/044; A47J
43/046; A47J 43/075; A47J 43/0716;
A47J 43/0722; A47J 43/0727; B01F 3/00;
B01F 3/0807; B01F 3/0853; B01F
13/0059; B01F 13/0064; B02C 1/08;
B02C 2/04; B02C 4/42; B02C 4/142;
B02C 4/143; B02C 4/423; B02C 13/1835;
B28C 5/10; B28C 5/12; B28C 5/14;
B28C 5/16

See application file for complete search history.

(56) **References Cited**

U.S. PATENT DOCUMENTS

D271,176 S 11/1983 Zimnowicz
D500,631 S * 1/2005 Ranzoni D7/376

D655,568 S * 3/2012 Chapman D7/380
D758,788 S 6/2016 Suzuki et al.
D809,331 S 2/2018 Blazquez et al.
D843,163 S * 3/2019 Gan D7/380
D897,145 S * 9/2020 Xiao D7/380

OTHER PUBLICATIONS

KOIOS 800-Watt/ 12-Speed Immersion Hand Blender. Date First Available on Amazon.com Mar. 31, 2017 [https://www.amazon.com/OXA-Smart-Powerful-Immersion-Blender/dp/B06XY8NMZG/ref \(Year: 2017\).](https://www.amazon.com/OXA-Smart-Powerful-Immersion-Blender/dp/B06XY8NMZG/ref=Year:2017)*

* cited by examiner

Primary Examiner — Ricky Pham

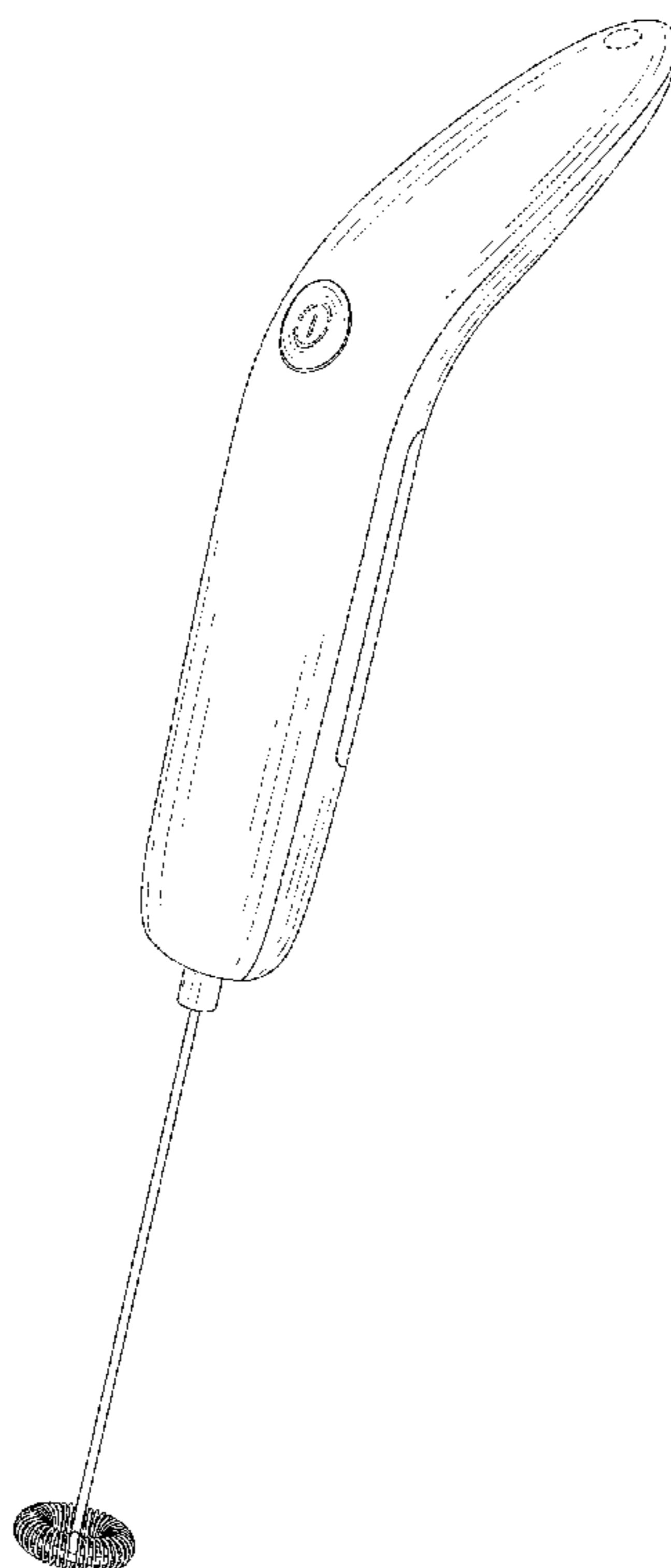
(57) **CLAIM**

The ornamental design for an electric whisk, as shown and described.

DESCRIPTION

FIG. 1 is a perspective view of an electric whisk showing my new design;
FIG. 2 is a front elevational view thereof;
FIG. 3 is a rear elevational view thereof;
FIG. 4 is a left side elevational view thereof; and,
FIG. 5 is a right side elevational view thereof.
The broken lines throughout the drawing figures depict portions of the electric whisk that form no part of the claimed design.

1 Claim, 5 Drawing Sheets



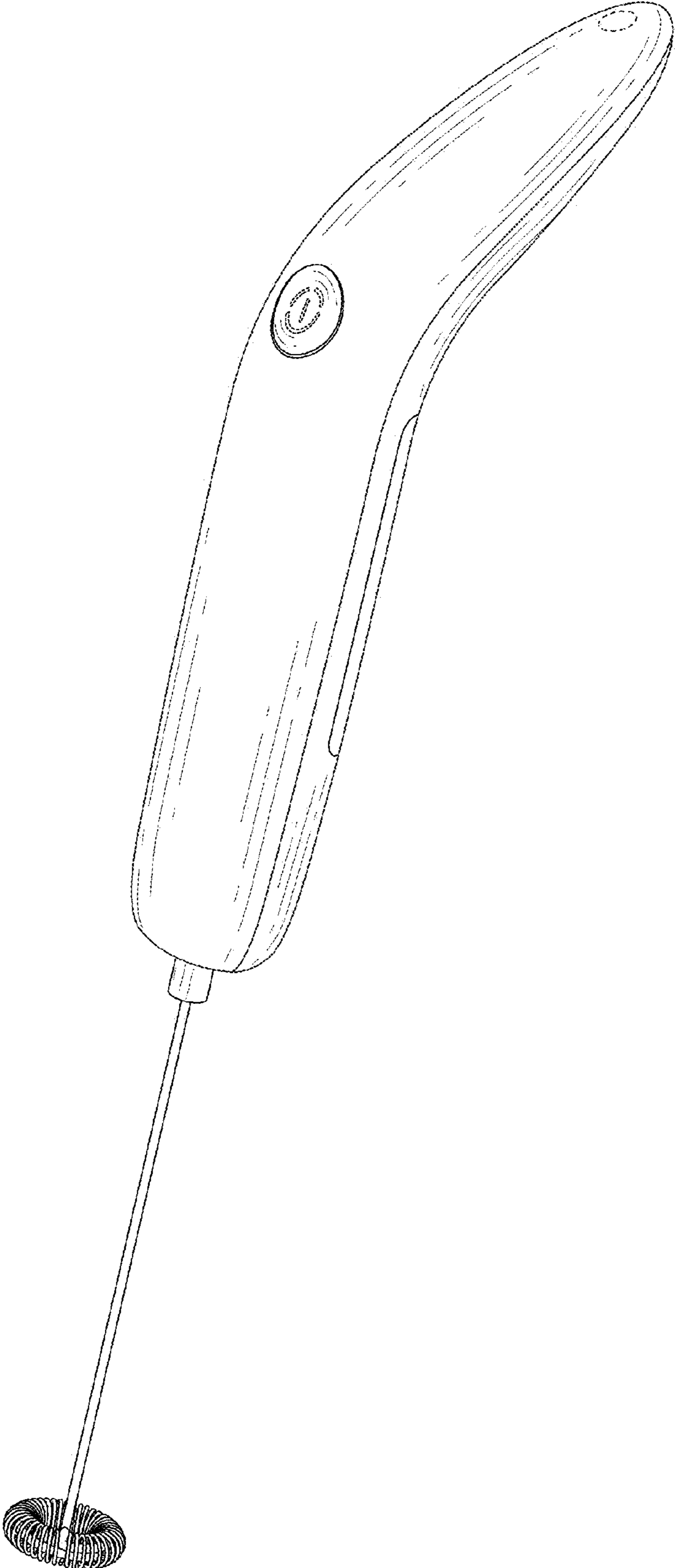


FIG.1

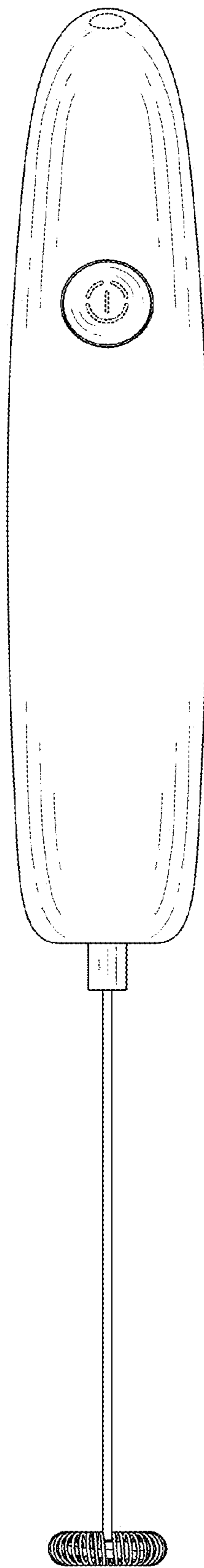


FIG.2

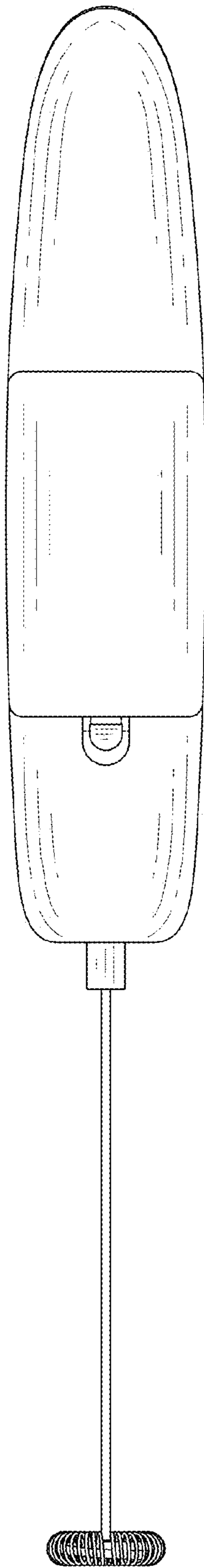


FIG.3

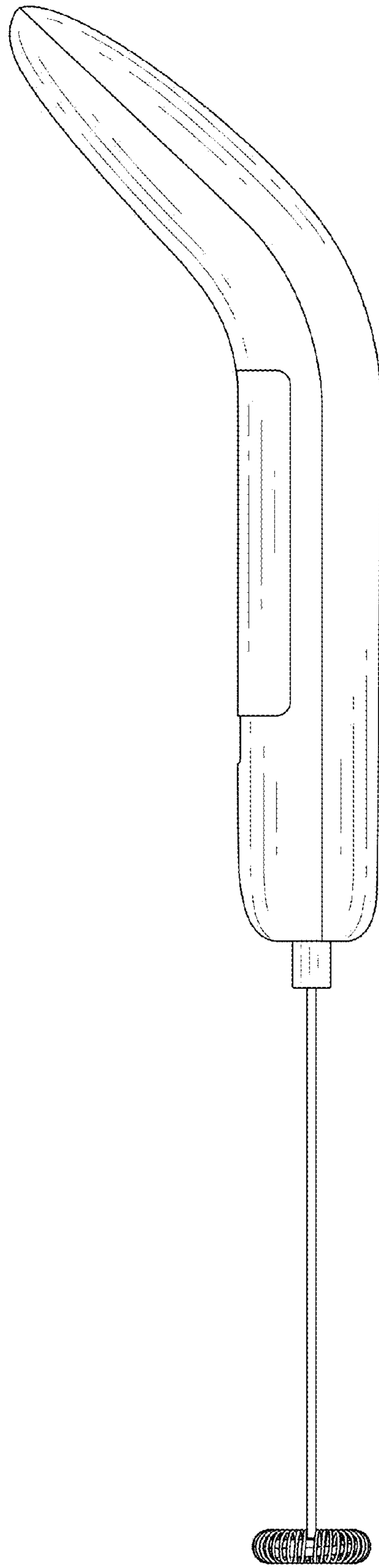


FIG.4

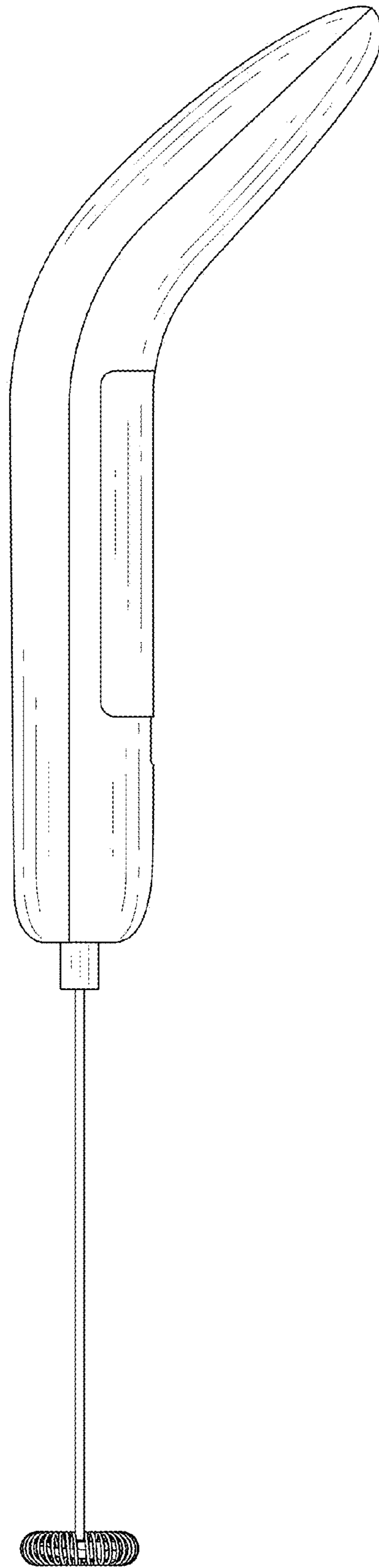


FIG. 5