



US00D916549S

(12) **United States Design Patent**  
**Li et al.**

(10) **Patent No.:** **US D916,549 S**  
(45) **Date of Patent:** **\*\* Apr. 20, 2021**

(54) **JUICER**  
(71) Applicant: **BEIJING XIAOMI MOBILE SOFTWARE CO., LTD.**, Beijing (CN)  
(72) Inventors: **Ningning Li**, Beijing (CN); **Jing Jiang**, Beijing (CN); **Yuan Gao**, Beijing (CN); **Xuxu Li**, Beijing (CN)  
(73) Assignee: **Beijing Xiaomi Mobile Software Co., Ltd.**, Beijing (CN)  
(\*\*) Term: **15 Years**

D218,256 S \* 8/1970 Rams ..... D7/373  
3,754,502 A \* 8/1973 Kaufman ..... A47J 19/02  
100/133  
D229,368 S \* 11/1973 Marrie ..... A47J 19/027  
D7/665  
D255,005 S \* 5/1980 Fuchs ..... D7/665  
D281,945 S \* 12/1985 Boyce ..... D7/378  
4,941,403 A \* 7/1990 Cimenti ..... A47J 19/027  
215/285  
D346,526 S \* 5/1994 Bannigan ..... D7/323  
D549,043 S \* 8/2007 Beesley ..... D7/374  
D621,206 S \* 8/2010 Matta ..... D7/372  
D634,155 S \* 3/2011 Duncan ..... D7/373  
D641,214 S \* 7/2011 Choi ..... D7/665

(Continued)

(21) Appl. No.: **35/508,385**

(22) Filed: **Nov. 5, 2019**

(80) **Hague Agreement Data**

Int. Filing Date: **Nov. 5, 2019**  
Int. Reg. No.: **DM/205259**  
Int. Reg. Date: **Nov. 5, 2019**  
Int. Reg. Pub. Date: **Jan. 24, 2020**

(30) **Foreign Application Priority Data**

May 16, 2019 (CN) ..... 201930236460.8

(51) **LOC (13) Cl.** ..... **31-00**

(52) **U.S. Cl.**  
USPC ..... **D7/378**

(58) **Field of Classification Search**  
USPC ..... D7/665, 370, 378, 384, 386, 412, 413  
CPC ..... A47J 19/02; A47J 19/027; A47J 19/022;  
A47J 43/0727; A47J 43/0794; A47J  
43/042; A47J 43/046; A47J 43/04454;  
A23N 1/02; A23N 1/003  
See application file for complete search history.

(56) **References Cited**

**U.S. PATENT DOCUMENTS**

D175,601 S \* 9/1955 Huck ..... D7/388  
D212,260 S \* 9/1968 Cabell ..... D7/373

**OTHER PUBLICATIONS**

Screenshot: Xiaomi Mijia Portable Juicer USB Electric Juicer Cup Blender Mini Vegetable Fruit 350 ML Juicer—White China. Undated; one page. Found online Dec. 14, 2020 at [https://www.gearbest.com/juicers/pp\\_3003051698783837.html](https://www.gearbest.com/juicers/pp_3003051698783837.html) (Year: 2020).\*

*Primary Examiner* — Robert M. Spear  
(74) *Attorney, Agent, or Firm* — Syncoda LLC; Feng Ma

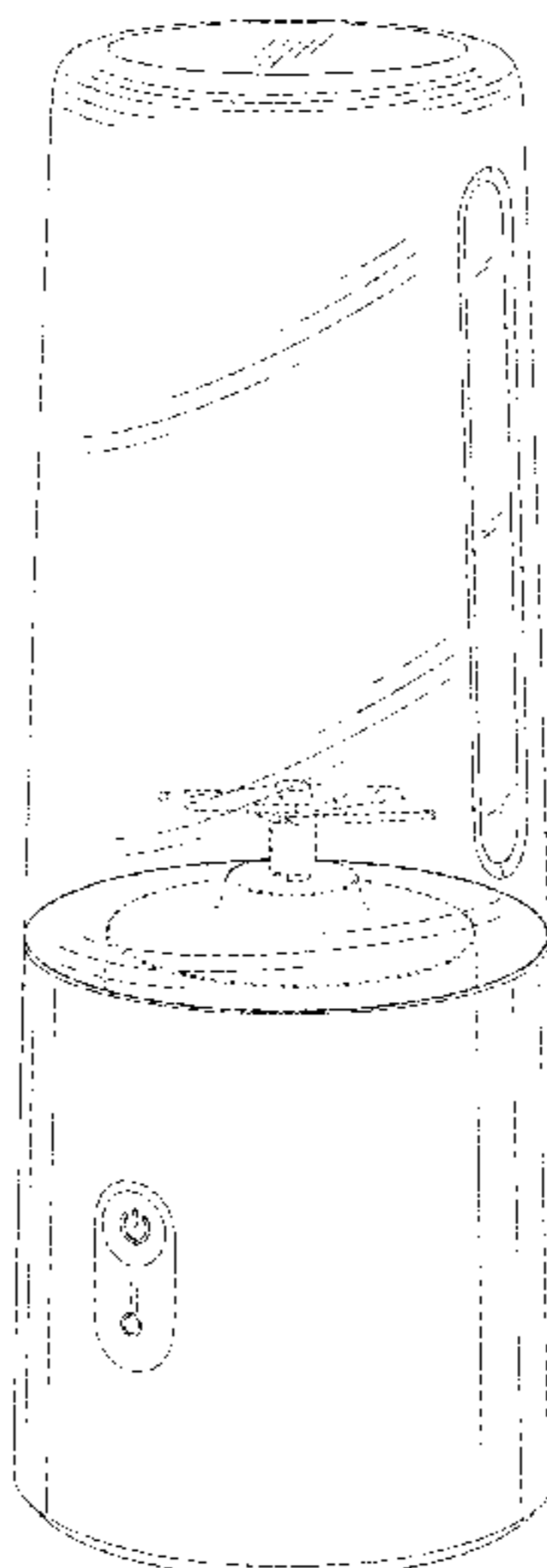
(57) **CLAIM**

The ornamental design for a juicer, as shown and described.

**DESCRIPTION**

1.-2. Juicer  
2.1 : Front  
2.2 : Back  
2.3 : Left  
2.4 : Right  
2.5 : Top  
2.6 : Bottom  
2.7 : Perspective  
2. The broken lines shown in the drawings illustrate portions of the juicer that form no part of the claimed design.

**1 Claim, 7 Drawing Sheets**



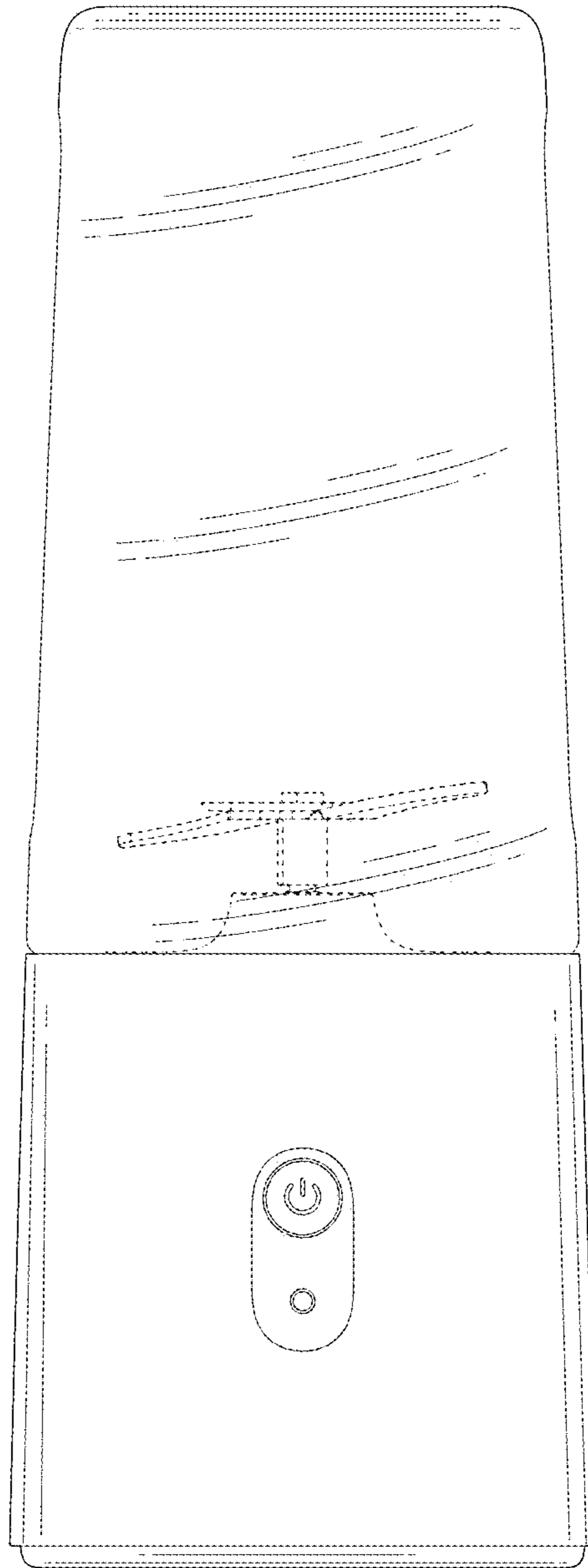
(56)

**References Cited**

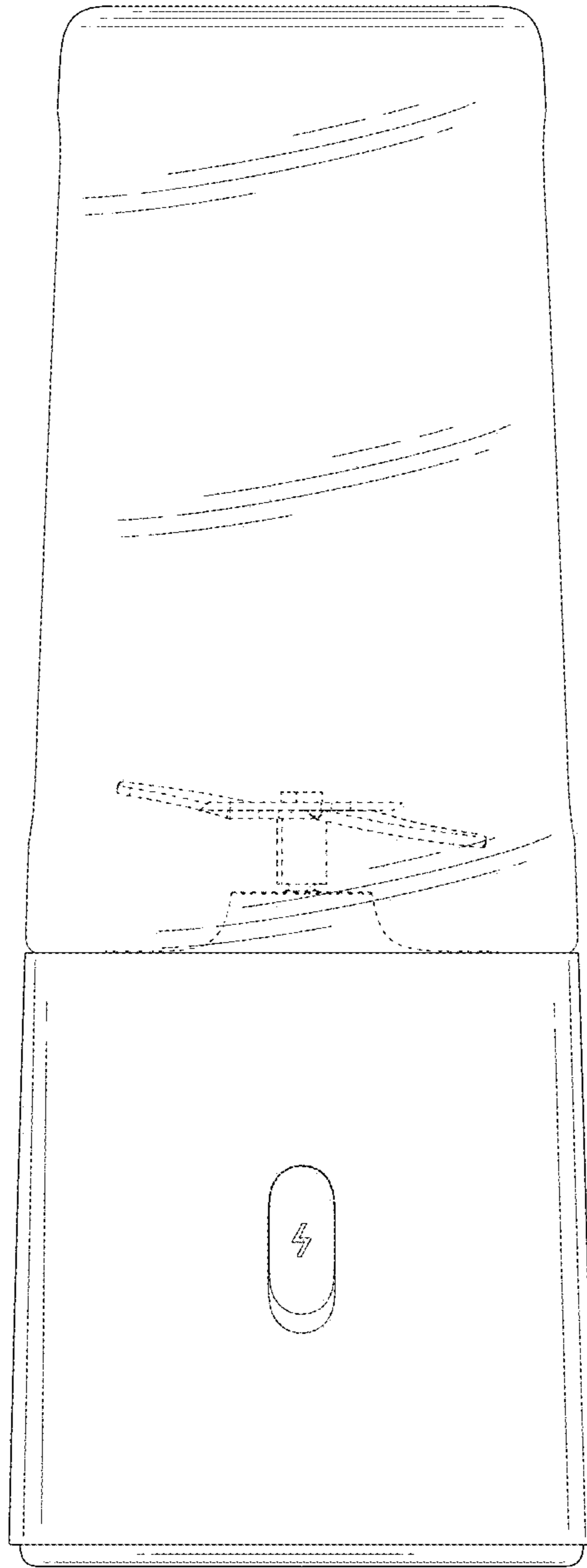
## U.S. PATENT DOCUMENTS

D747,915	S	*	1/2016	Kim	.....	D7/378
D782,866	S	*	4/2017	Suess	.....	D7/378
D816,394	S	*	5/2018	Yeung	.....	D7/378
D816,395	S	*	5/2018	Huang	.....	D7/378
D828,081	S	*	9/2018	Bock	.....	D7/378
D829,496	S	*	10/2018	Kim	.....	D7/378
D836,385	S	*	12/2018	Arzunyan	.....	A47J 42/50
						D7/378
D847,557	S	*	5/2019	Kraemer	.....	D7/373
D850,845	S	*	6/2019	Pan	.....	D7/378
D850,867	S	*	6/2019	Lin	.....	D7/665
D850,868	S	*	6/2019	Lin	.....	D7/665
D859,938	S	*	9/2019	Yu	.....	D7/665
D895,348	S	*	9/2020	Vignau-Lous	.....	D7/377
D903,400	S	*	12/2020	Li	.....	D7/378
2009/0121063	A1	*	5/2009	Wu	.....	A47J 42/50
						241/169.1

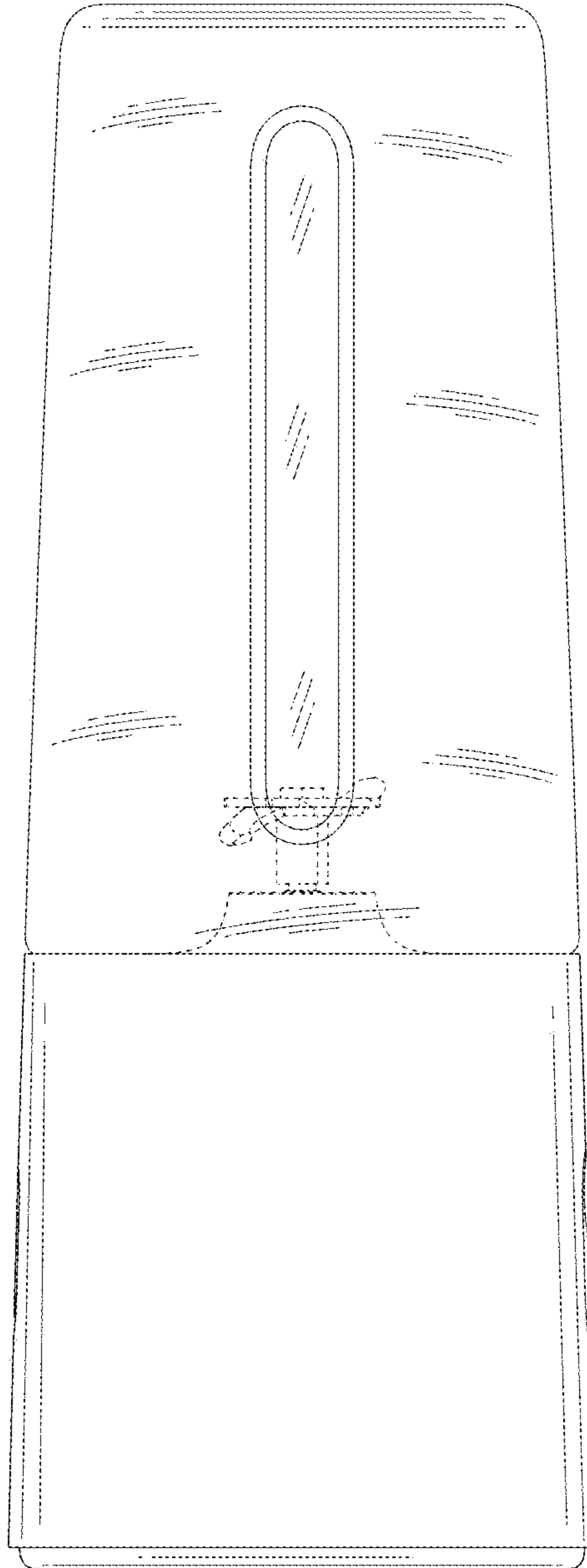
\* cited by examiner



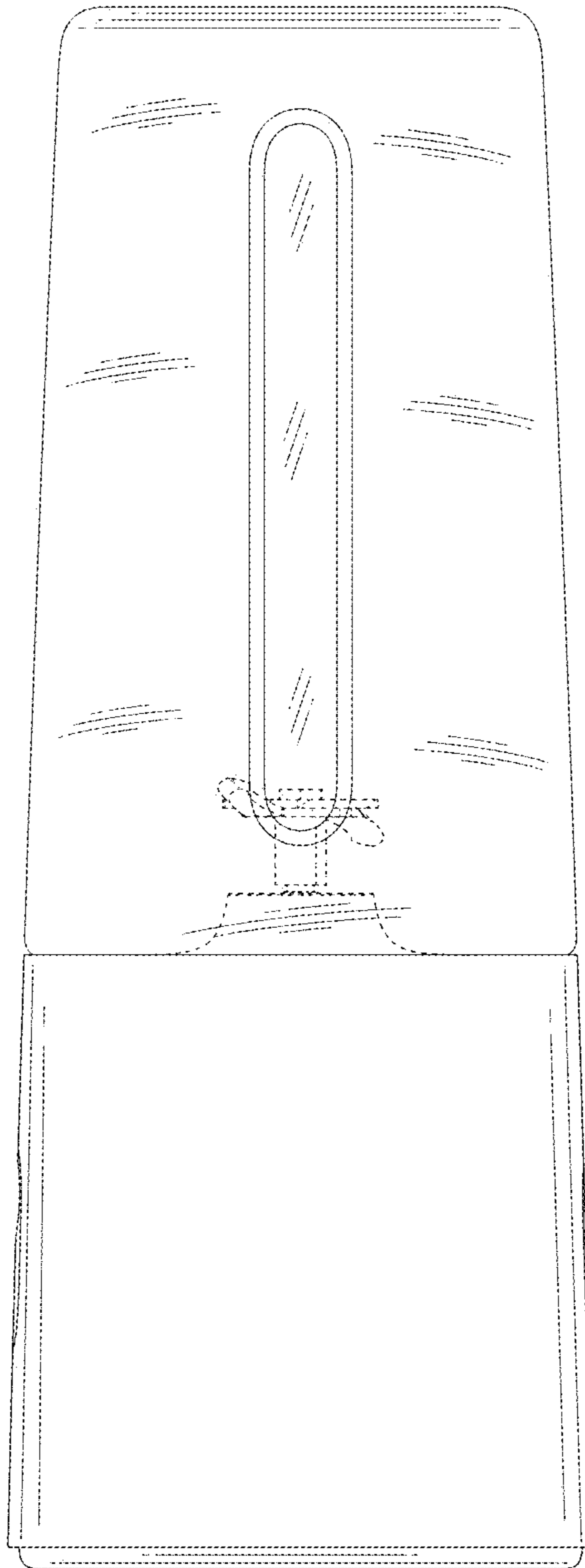
2.1



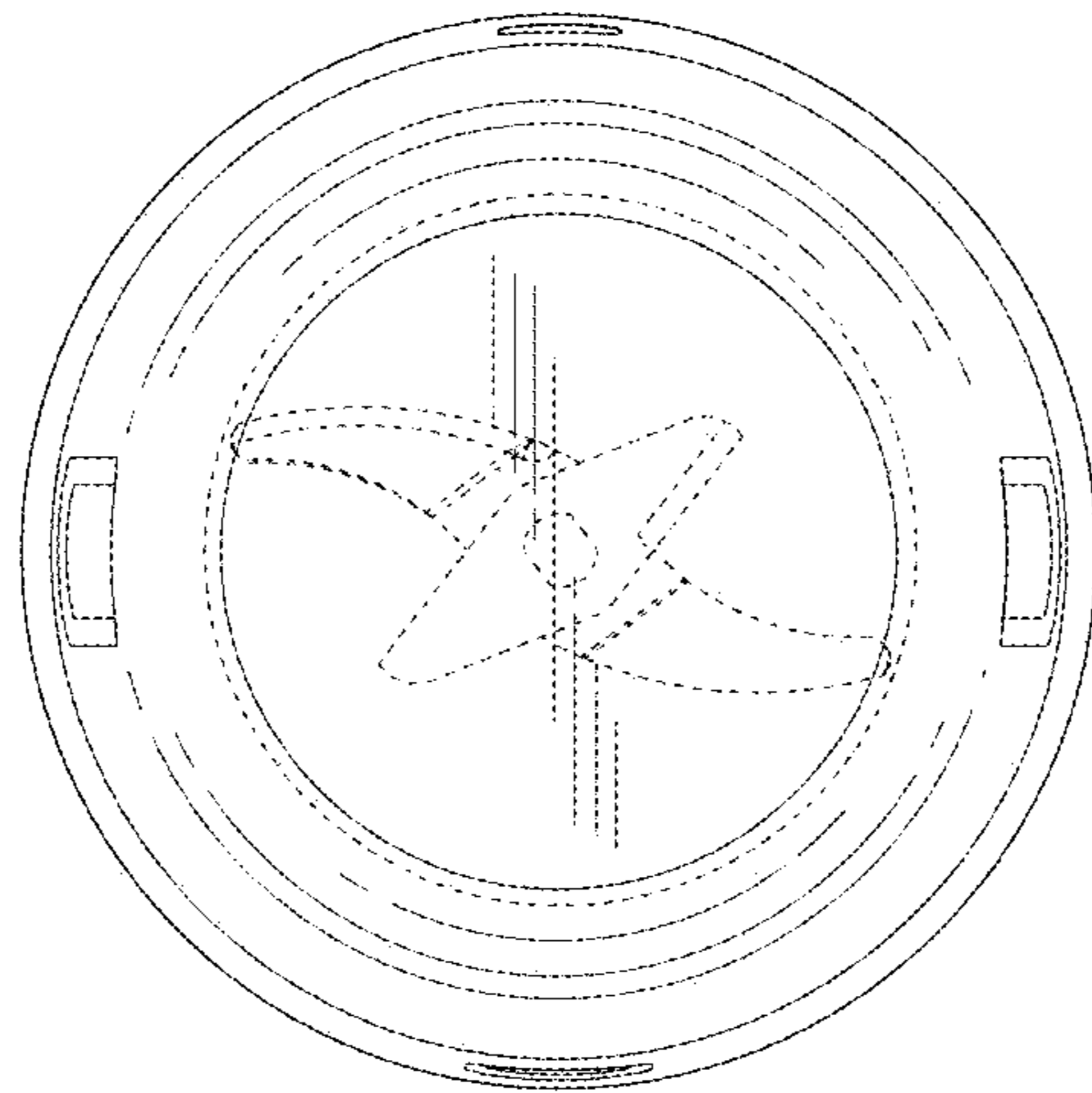
2.2



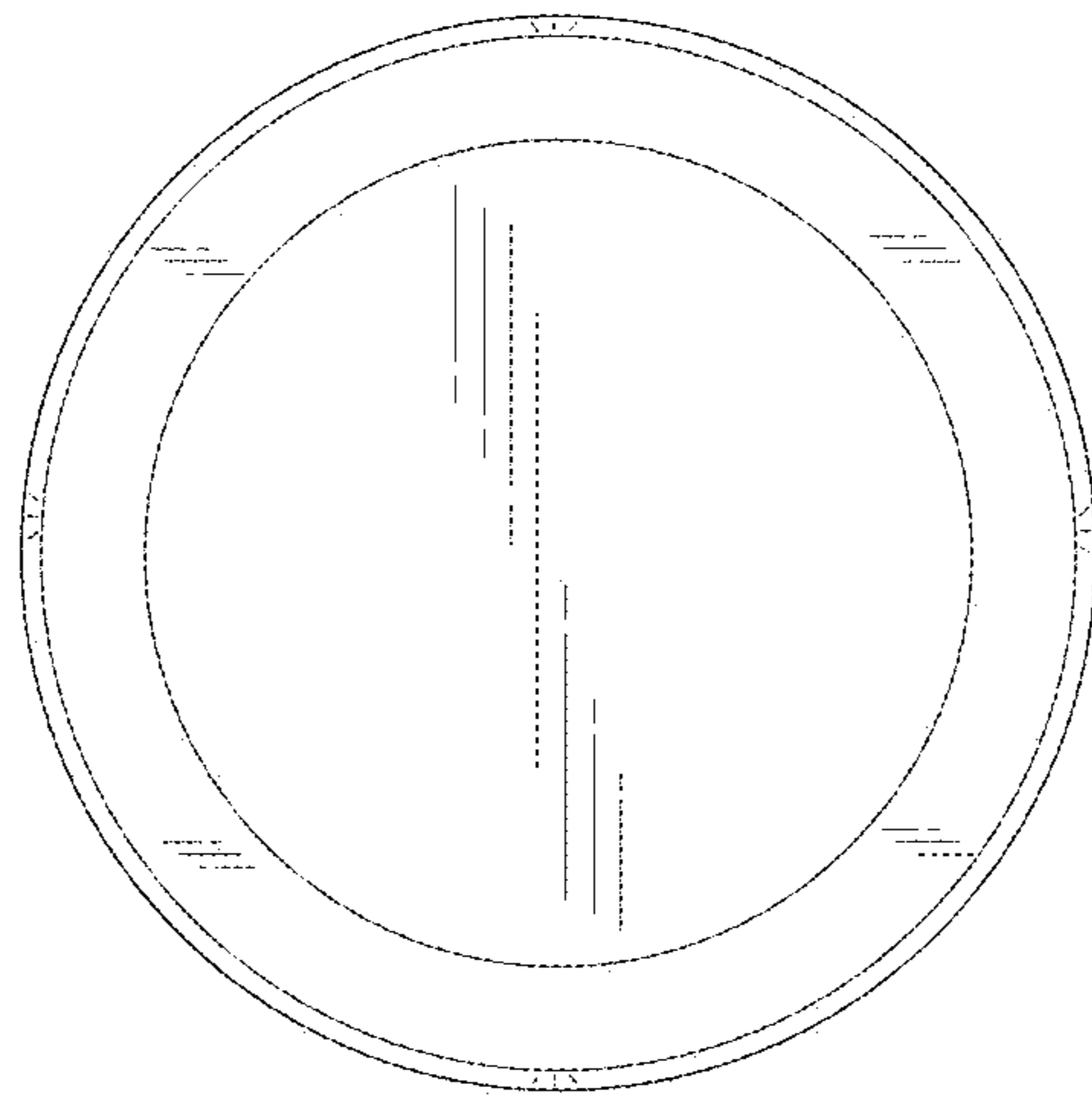
2.3



2.4

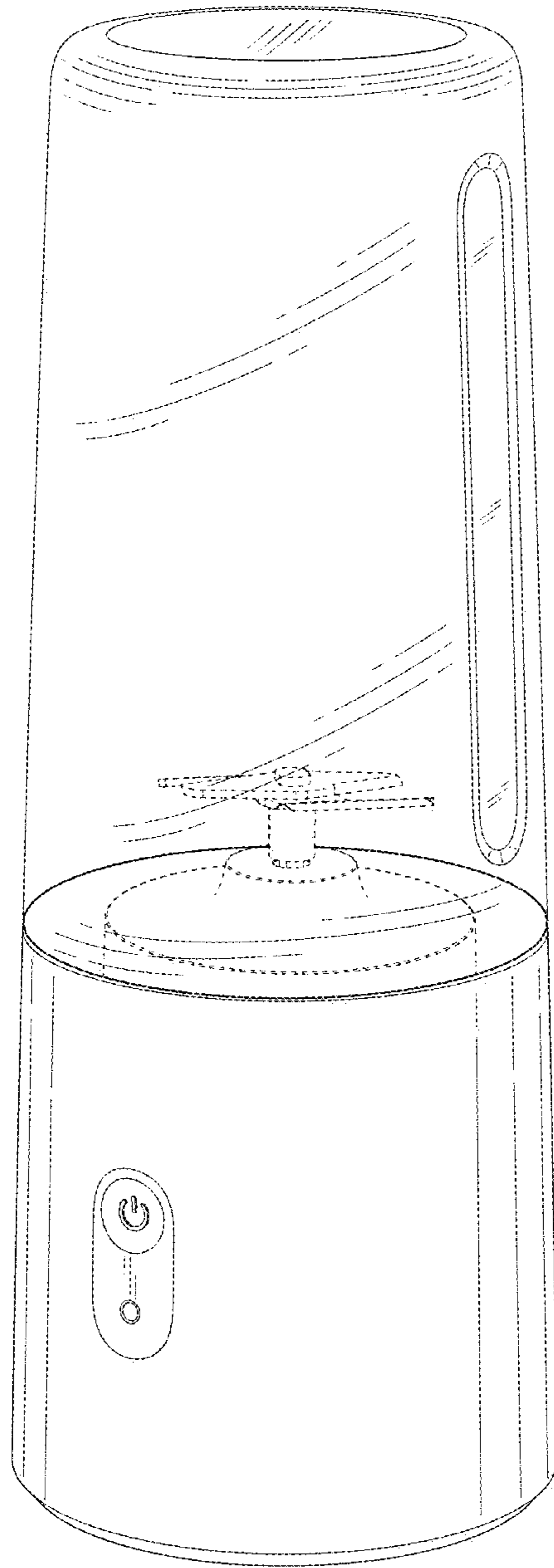


2.5



2.6





2.7