



US00D916548S

(12) **United States Design Patent** (10) **Patent No.:** **US D916,548 S**  
**Bazzicalupo et al.** (45) **Date of Patent:** **\*\* Apr. 20, 2021**

(54) **ELECTRIC HOUSEHOLD COFFEE GRINDER**  
(71) Applicant: **SMEG S.p.A.**, Guastalla (IT)  
(72) Inventors: **Leopoldo Bazzicalupo**, Sale Marasino (IT); **Raffaella Mangiarotti**, Milan (IT)

D500,427 S \* 1/2005 Fung ..... D7/373  
D502,062 S \* 2/2005 Kaposi ..... D7/372  
D620,308 S \* 7/2010 De Pra' ..... D7/372  
D628,010 S \* 11/2010 De Pra' ..... D7/372  
D653,905 S \* 2/2012 Bodum ..... D7/373  
D673,419 S \* 1/2013 De Pra ..... D7/373  
9,033,267 B2 \* 5/2015 Carbonini ..... A47J 42/54  
241/66  
D736,030 S \* 8/2015 Cottam ..... D7/372  
D764,863 S \* 8/2016 Lee ..... D7/373  
D804,893 S \* 12/2017 De' Longhi ..... D7/373  
D839,041 S \* 1/2019 Vu ..... D7/373  
D853,174 S \* 7/2019 Zernhelt ..... D7/373

(73) Assignee: **SMEG S.P.A.**  
(\*\*) Term: **15 Years**

(21) Appl. No.: **35/508,524**

(22) Filed: **Aug. 6, 2019**

(80) **Hague Agreement Data**

Int. Filing Date: **Aug. 6, 2019**  
Int. Reg. No.: **DM/204322**  
Int. Reg. Date: **Aug. 6, 2019**  
Int. Reg. Pub. Date: **Feb. 7, 2020**

(30) **Foreign Application Priority Data**

Feb. 6, 2019 (EM) ..... 006181020

(51) **LOC (13) Cl.** ..... **31-00**

(52) **U.S. Cl.**  
USPC ..... **D7/373**

(58) **Field of Classification Search**

USPC ..... D7/372, 373, 679  
CPC .. A47J 42/00; A47J 42/36; A47J 42/14; A47J 42/18; A47J 42/24; A47J 42/42; A47J 42/46; A47J 42/06; A47J 42/08; A47J 42/40; A47J 43/04; A47J 43/044; A47J 43/0722; A47J 43/06; A47J 43/25; A47J 43/255; A24C 5/40; B02C 18/08; B02C 18/24; B02C 18/16

See application file for complete search history.

(56) **References Cited**

**U.S. PATENT DOCUMENTS**

D353,075 S \* 12/1994 Littmann ..... D7/373  
D389,010 S \* 1/1998 Joergensen ..... D7/373

(Continued)

**OTHER PUBLICATIONS**

Screenshot: SMEG CGF01 Coffee Grinder. Undated; one page. Found online Dec. 23, 2020 at <https://www.smeg.com/coffee-grinder> (Year: 2020).\*

(Continued)

*Primary Examiner* — Robert M. Spear

(74) *Attorney, Agent, or Firm* — The Belles Group, P.C.

(57) **CLAIM**

The ornamental design for a electric household coffee grinder, as shown and described.

**DESCRIPTION**

1. Electric household coffee grinder

1.1 : Front/side perspective view

1.2 : Front

1.3 : Rear view

1.4 : Right

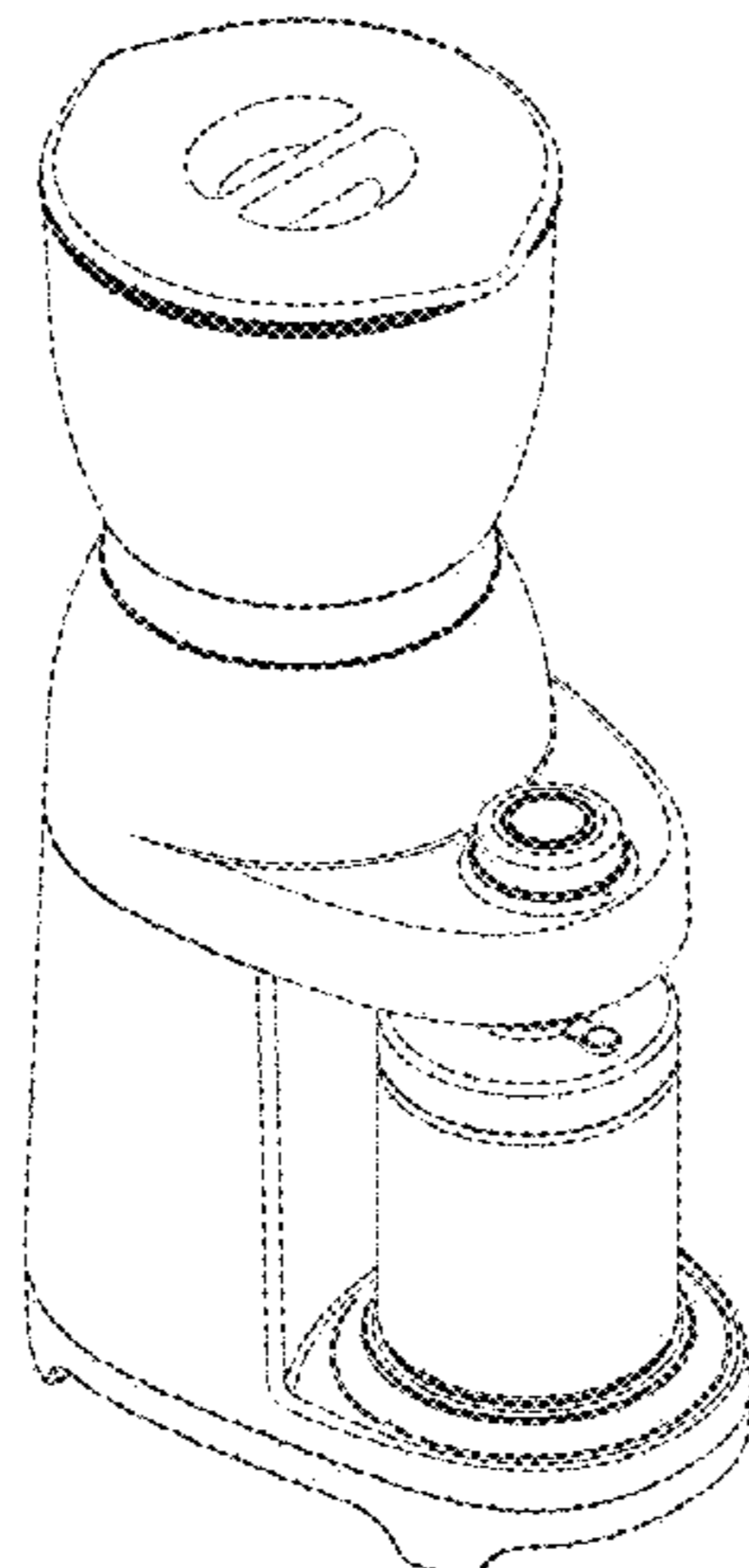
1.5 : Left

1.6 : Top plan view

1.7 : Bottom

The broken line shown is for the purpose of illustrating portions of the electric household coffee grinder and forms no part of the claimed design.

**1 Claim, 7 Drawing Sheets**



(56)

**References Cited**

U.S. PATENT DOCUMENTS

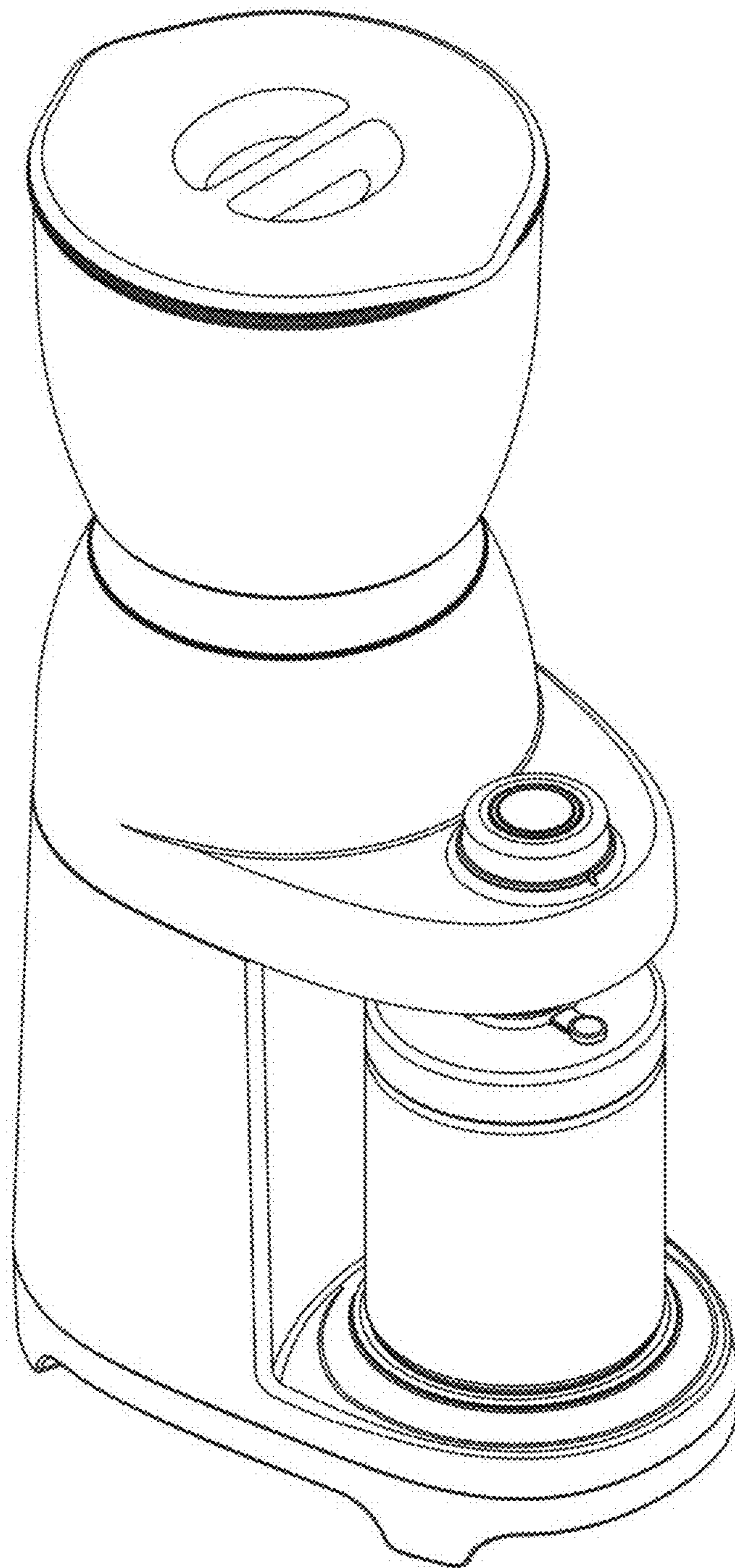
10,426,296 B2 \* 10/2019 Ryan ..... A47J 42/54  
D876,157 S \* 2/2020 Gollnick ..... D7/373  
D880,223 S \* 4/2020 Koidl ..... A47J 42/54  
D7/372

OTHER PUBLICATIONS

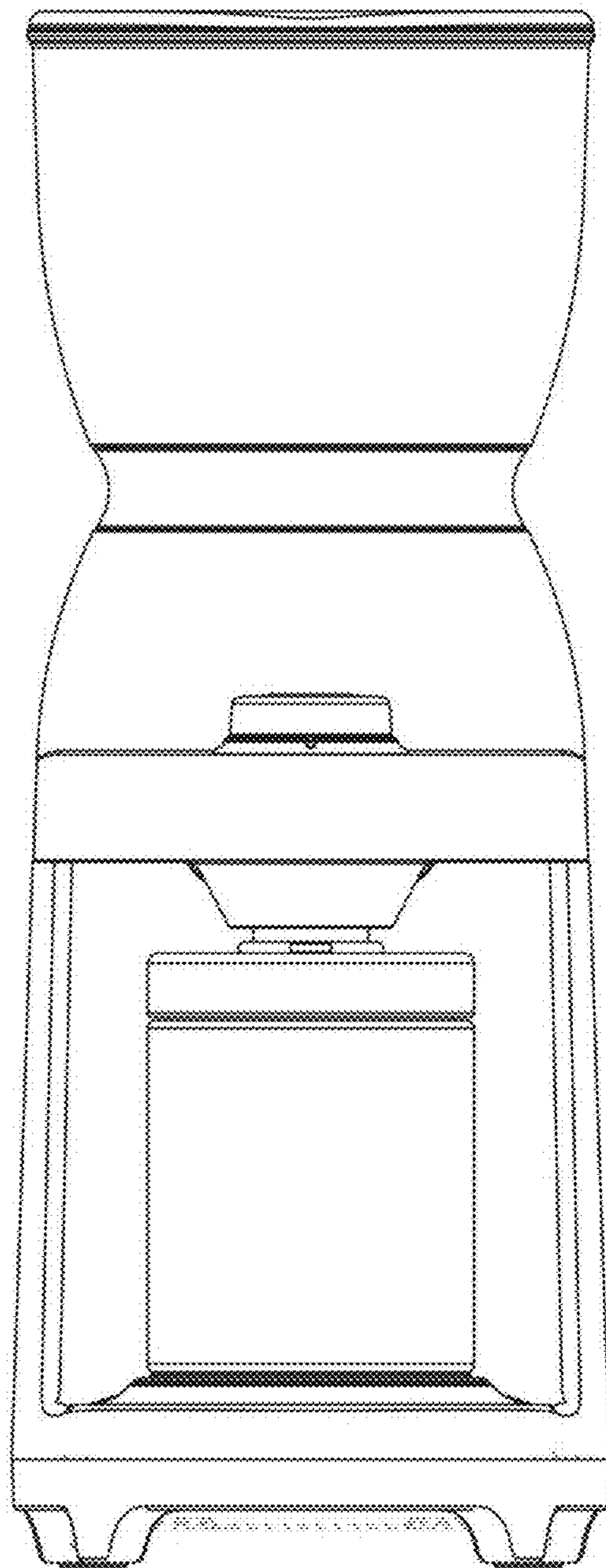
Screenshot: OXO Brew Conical Burr Coffee Grinder. Earliest date found Oct. 2, 2018; one page. Found online Dec. 23, 2020 at <https://www.amazon.com/OXO-BREW-Conical-Coffee-Grinder/> . . . (Year: 2018).\*

\* cited by examiner

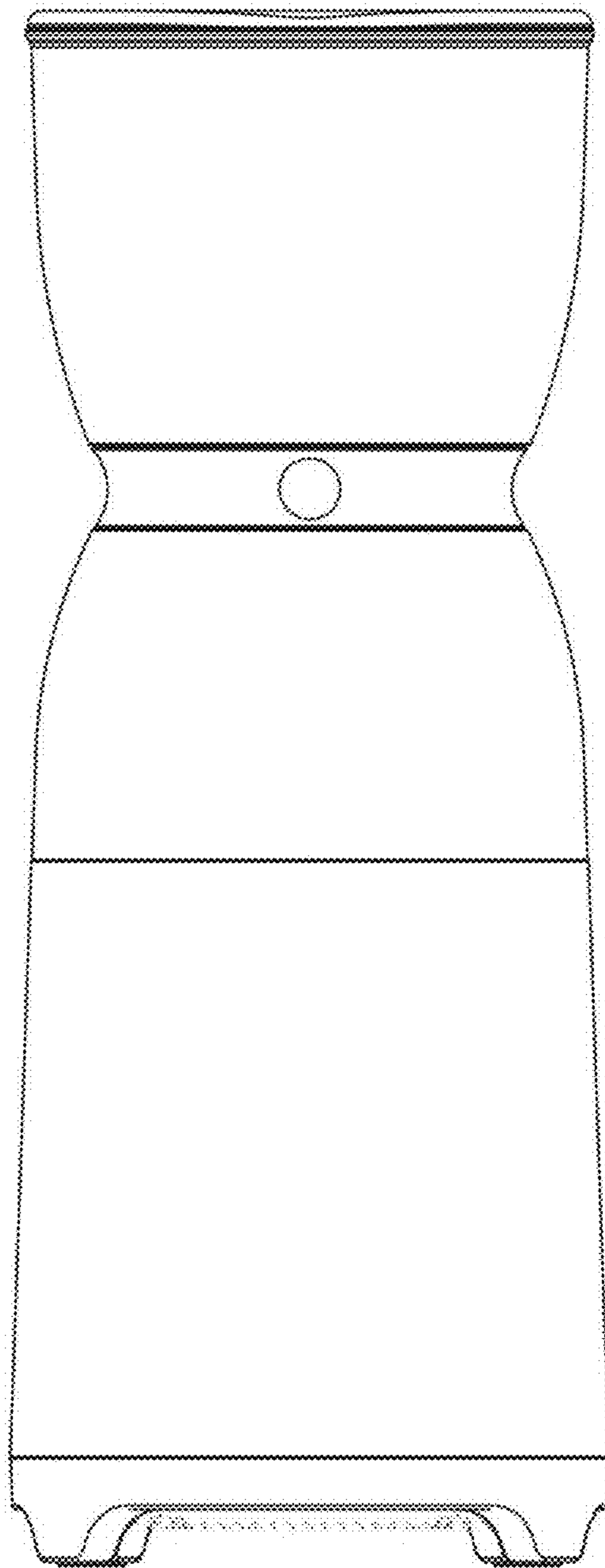
1.1



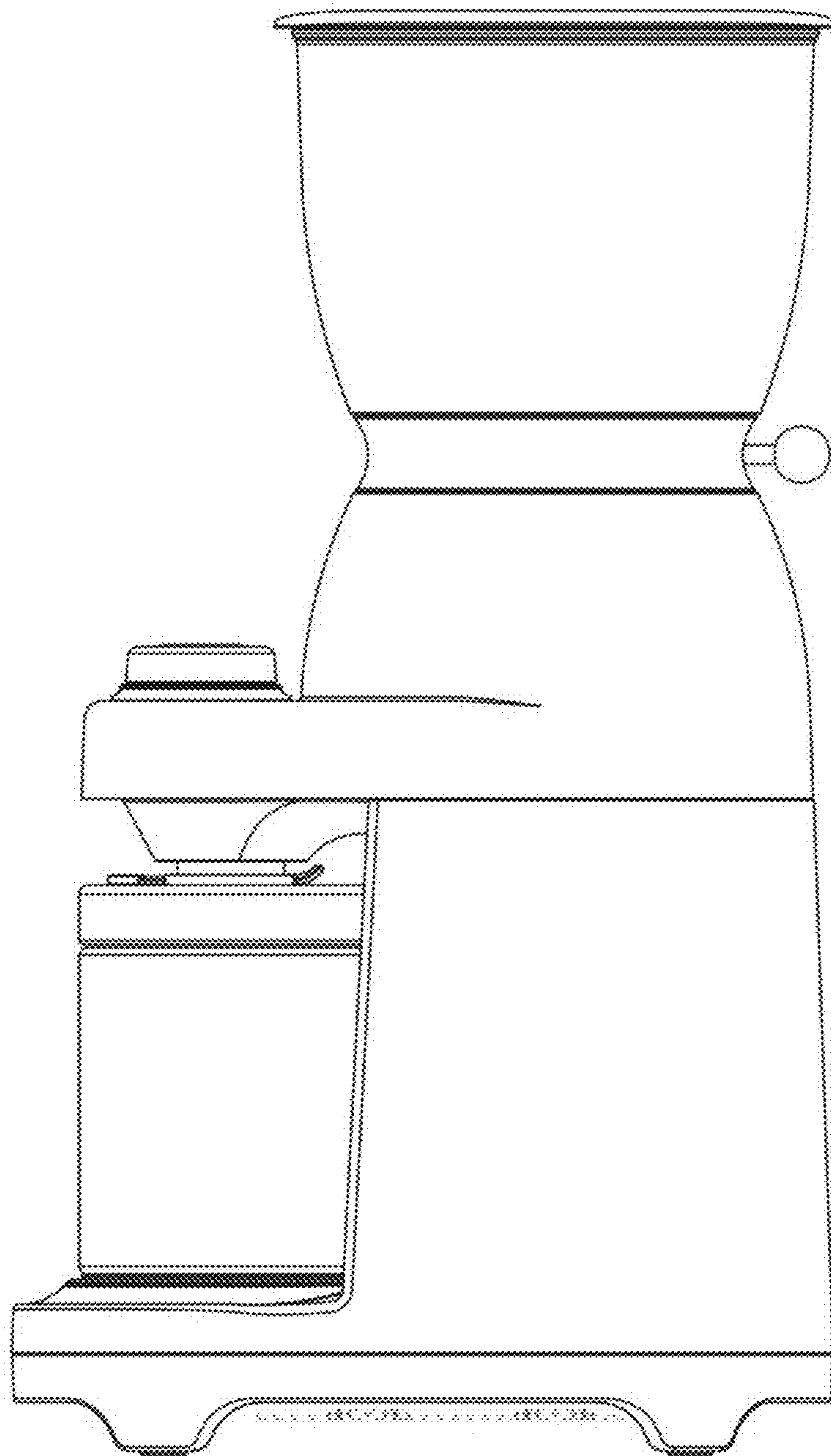
1.2



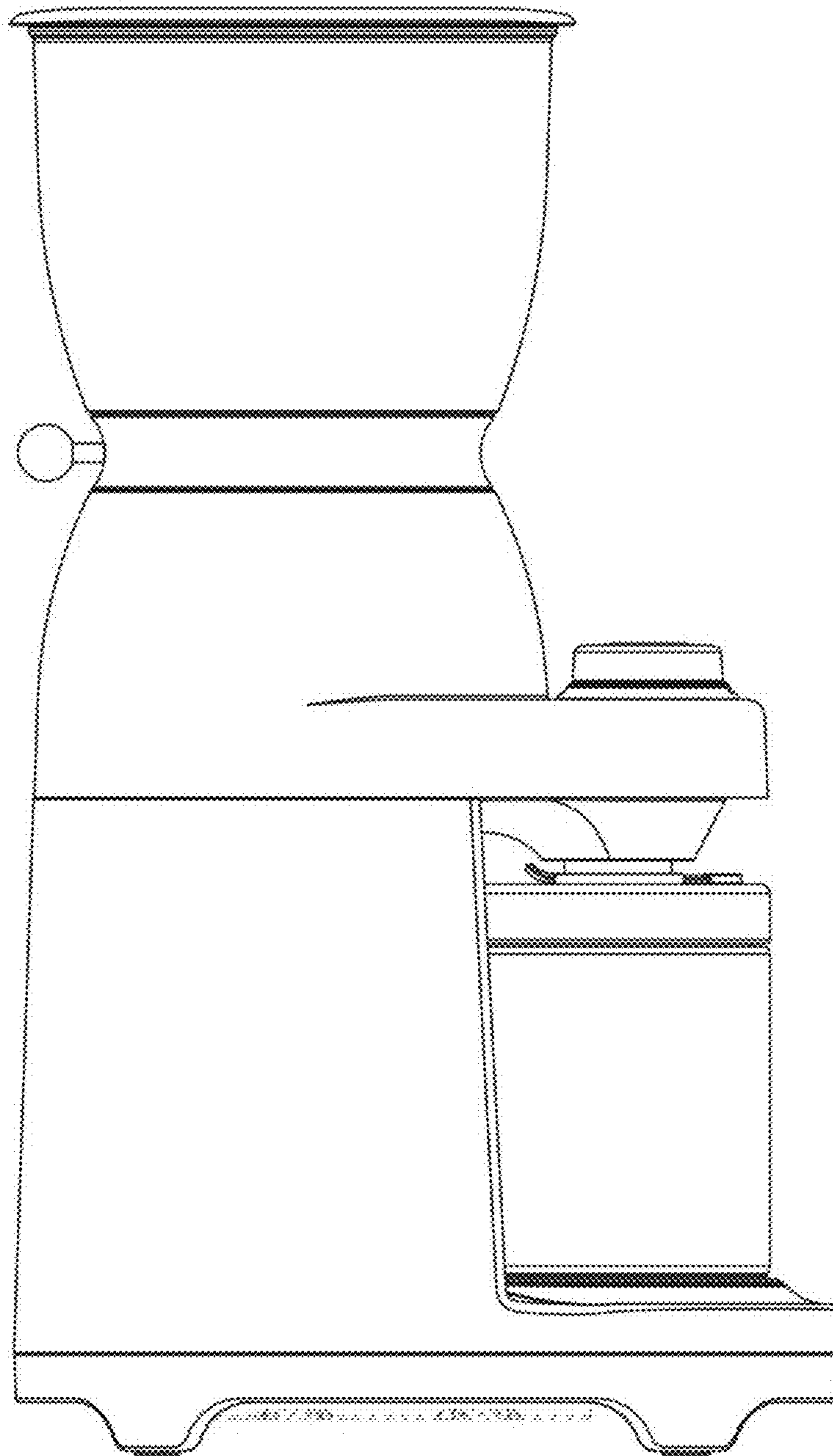
1.3



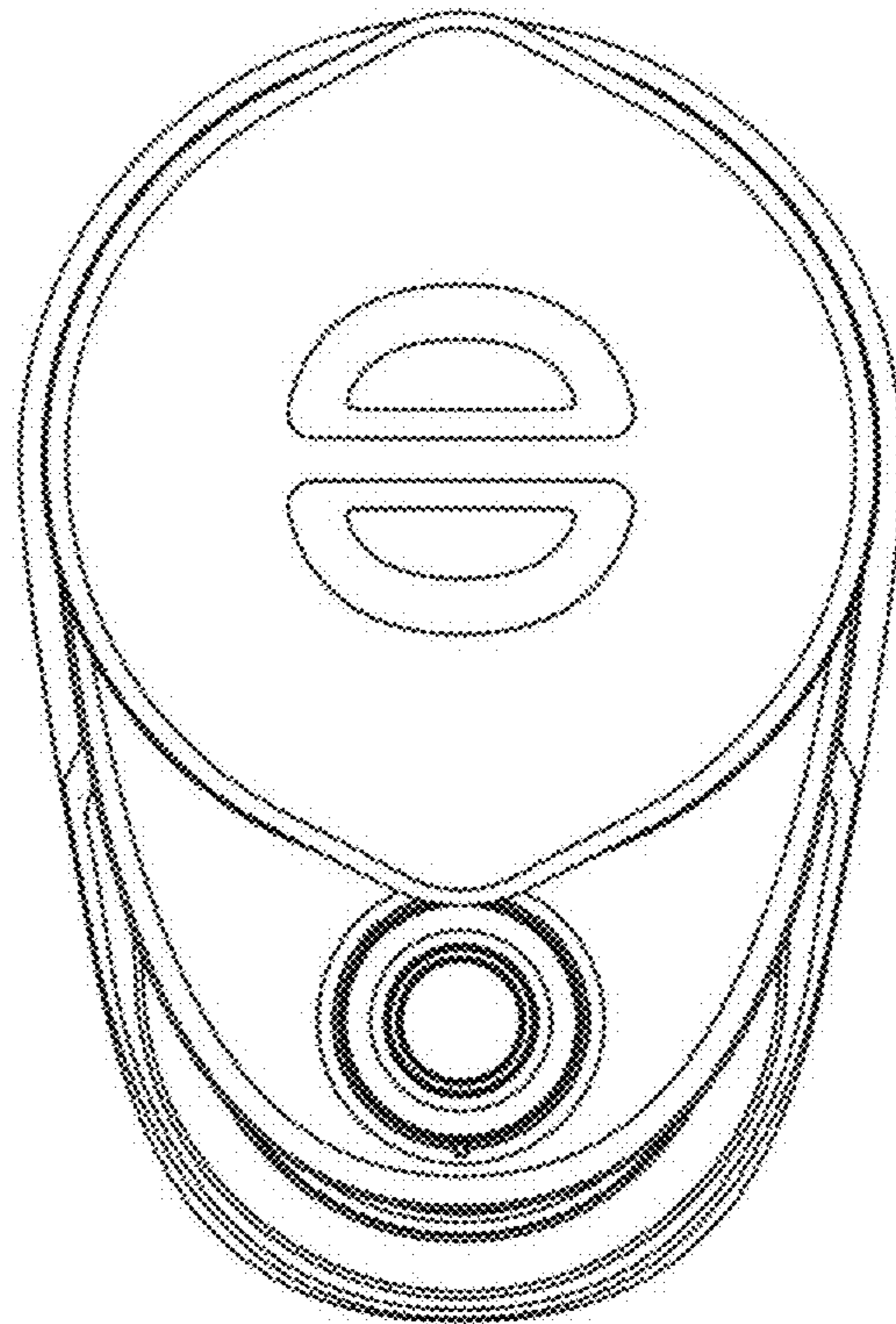
1.4



1.5



1.6





1.7

