



US00D916547S

(12) **United States Design Patent**
Tehrani et al.

(10) **Patent No.:** **US D916,547 S**
(45) **Date of Patent:** **** Apr. 20, 2021**

(54) **COOKWARE**

(71) Applicant: **Lagom Kitchen Co.**, Los Angeles, CA (US)

(72) Inventors: **Amir Tehrani**, Los Angeles, CA (US); **Zachary Rosner**, Los Angeles, CA (US); **Stuart Harvey Lee**, Forest Hills, NY (US); **Jochen Schaeppers**, New York, NY (US)

(73) Assignee: **LAGOM KITCHEN CO.**, Los Angeles, CA (US)

(**) Term: **15 Years**

(21) Appl. No.: **29/699,401**

(22) Filed: **Jul. 25, 2019**

(51) **LOC (13) Cl.** **07-02**

(52) **U.S. Cl.**
USPC **D7/361**

(58) **Field of Classification Search**
USPC D7/323, 338, 352, 354, 355, 356, 357, D7/358, 359, 360, 361, 362, 363, 364,
(Continued)

(56) **References Cited**

U.S. PATENT DOCUMENTS

D41,717 S * 8/1911 Swan D7/360
4,310,418 A 1/1982 Busbey
(Continued)

FOREIGN PATENT DOCUMENTS

CA 2455023 A1 7/2004
DE 8521152 U1 10/1985
(Continued)

OTHER PUBLICATIONS

Always Pan, announced Dec. 16, 2019 [online], retrieved Sep. 25, 2020, retrieved from internet, https://fromourplace.com/products/always-essential-cooking-pan?utm_source=pepperjam&utm_medium=affiliate&utm_campaign=200286&clickId=3276306738.*

(Continued)

Primary Examiner — Dana K Weiland

Assistant Examiner — Messina L Smith

(74) *Attorney, Agent, or Firm* — Myers Wolin, LLC

(57) **CLAIM**

The ornamental design for cookware, as shown and described.

DESCRIPTION

FIG. 1 is a perspective view of the cookware of the present invention.

FIG. 2 is a rear elevation view of the cookware.

FIG. 3 is a front elevation view of the cookware.

FIG. 4 is a left side elevation view of the cookware.

FIG. 5 is a right side elevation view of the cookware.

FIG. 6 is a top plan view of the cookware.

FIG. 7 is a bottom plan view of the cookware.

FIG. 8 is an exploded perspective view of the cookware.

FIG. 9 is an exploded rear elevation view of the cookware

FIG. 10 is an exploded front elevation view of the cookware.

FIG. 11 is an exploded left side elevation view of the cookware.

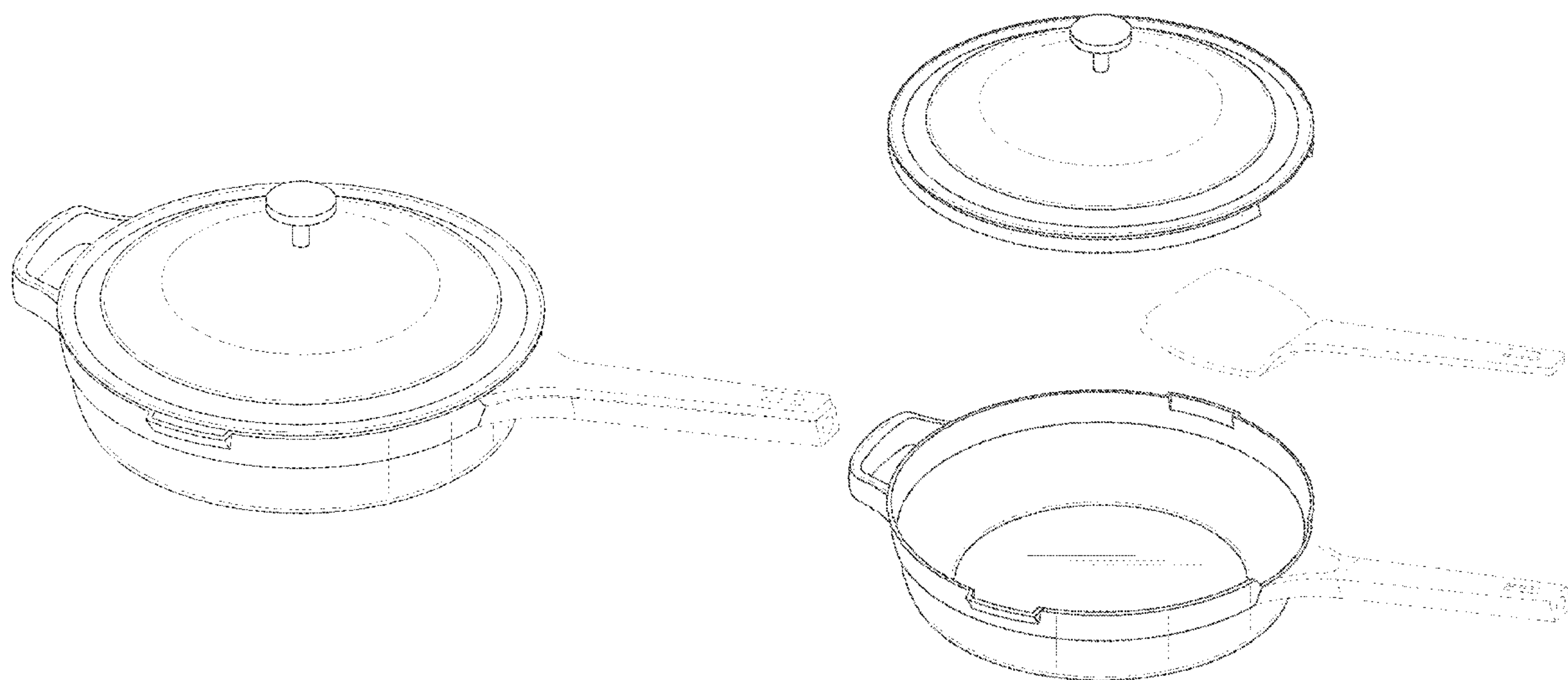
FIG. 12 is an exploded right side elevation view of the cookware.

FIG. 13 is a bottom plan view of the cover component of the cookware, shown separately to show aspects of the design that are not visible when combined; and,

FIG. 14 is a bottom perspective view thereof.

The broken lines shown in the drawings depict portions of the cookware that form no part of the claimed design.

1 Claim, 13 Drawing Sheets



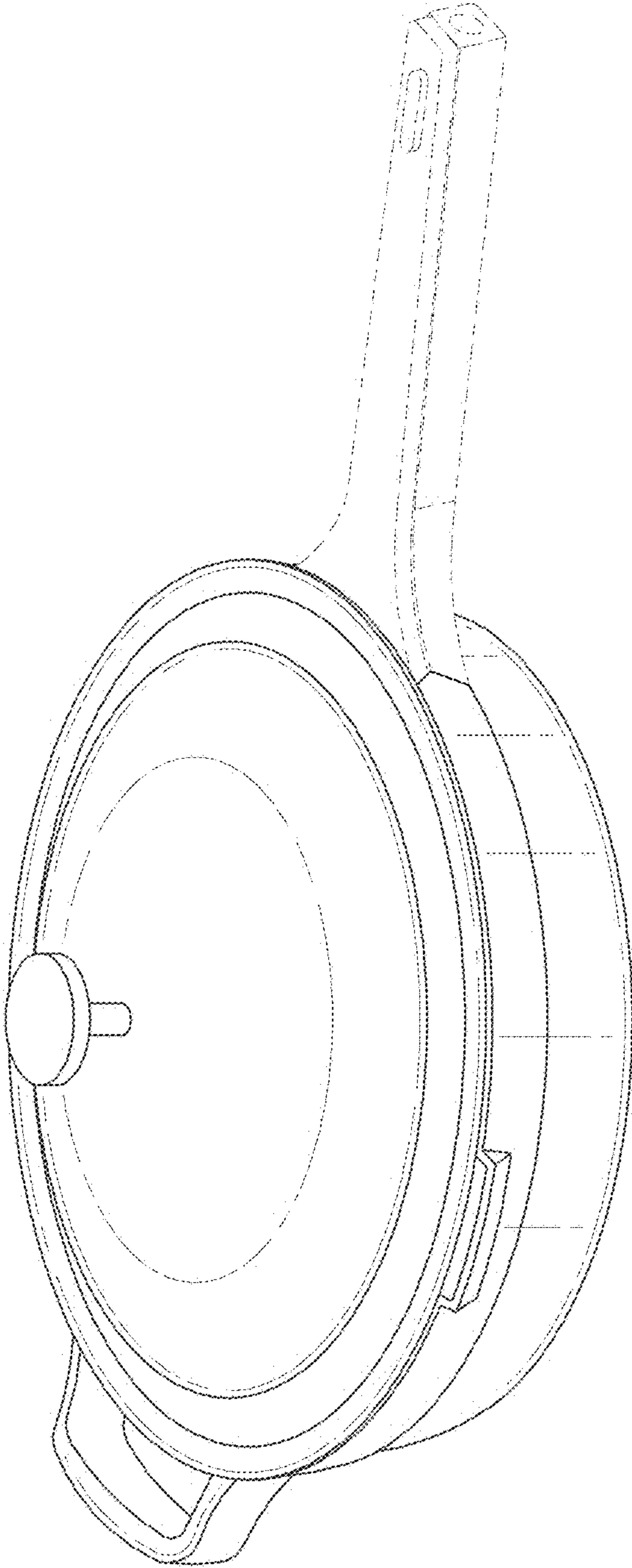


FIG. 1

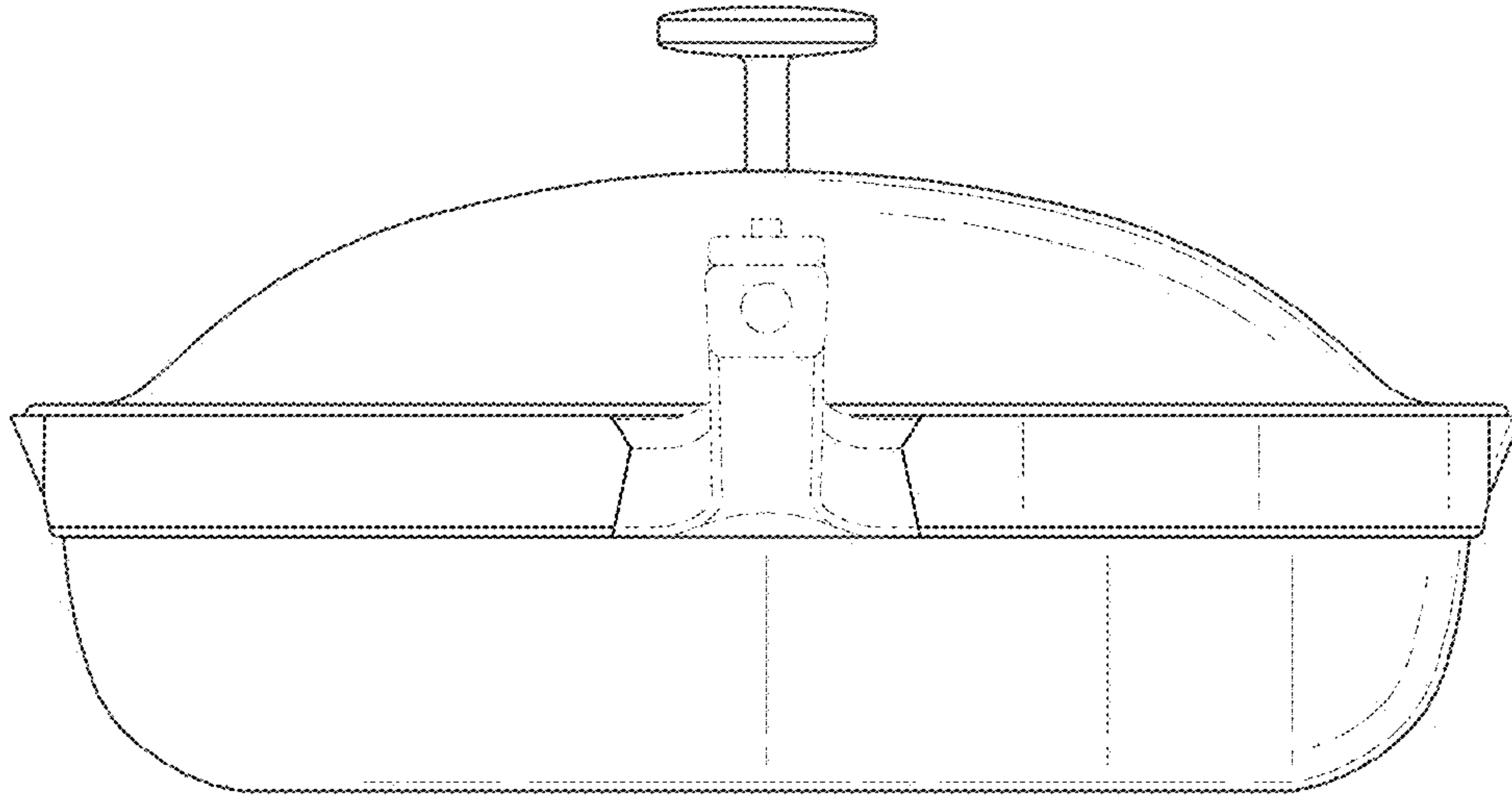


FIG. 2

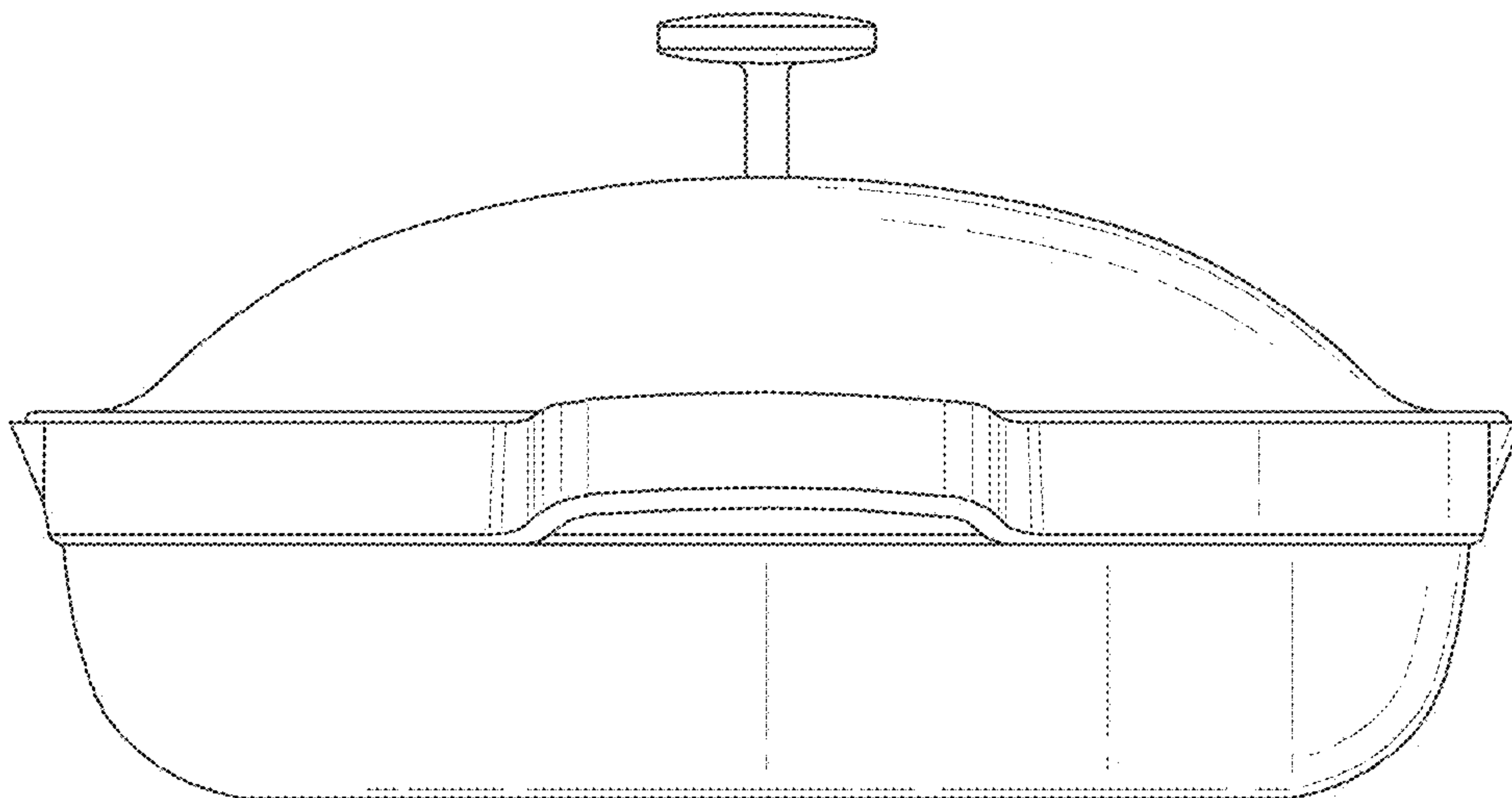


FIG. 3

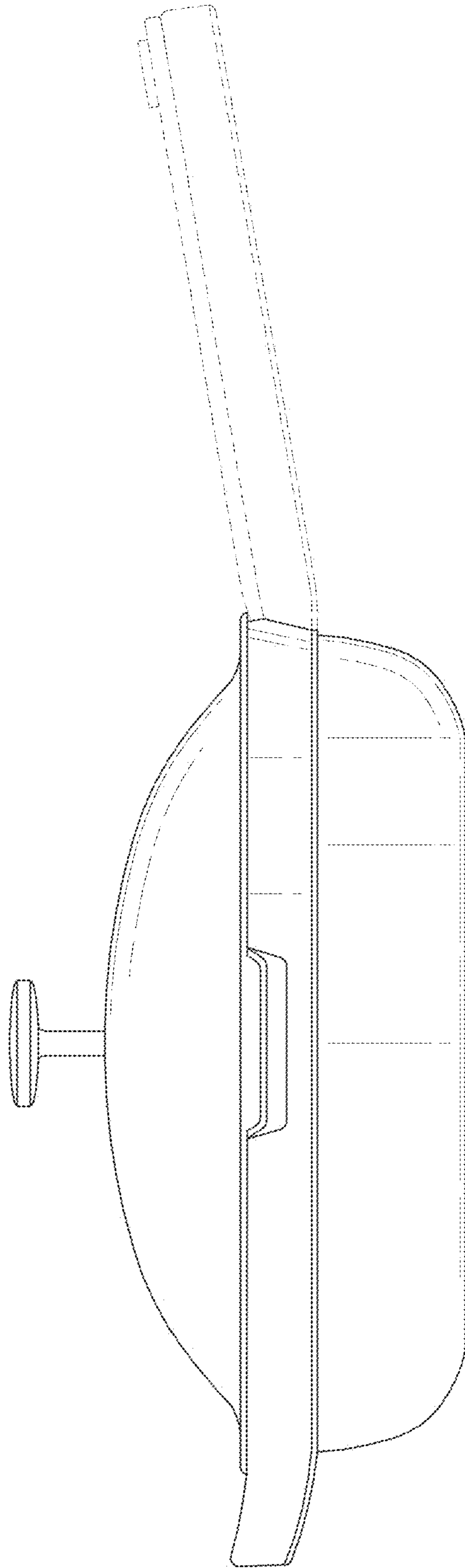


FIG. 4

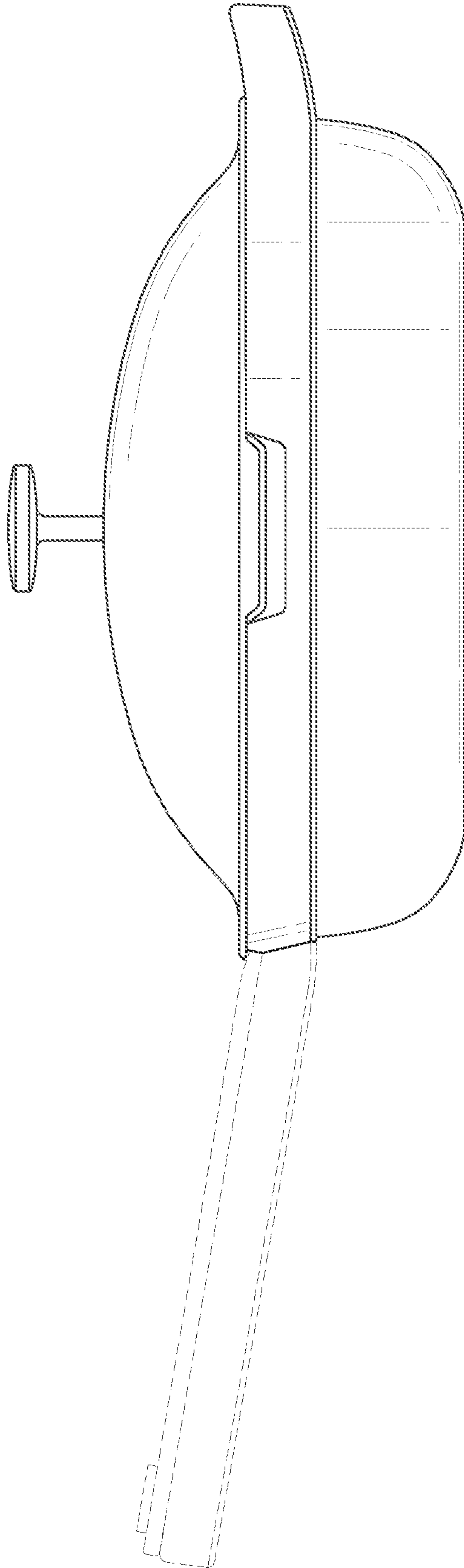


FIG. 5

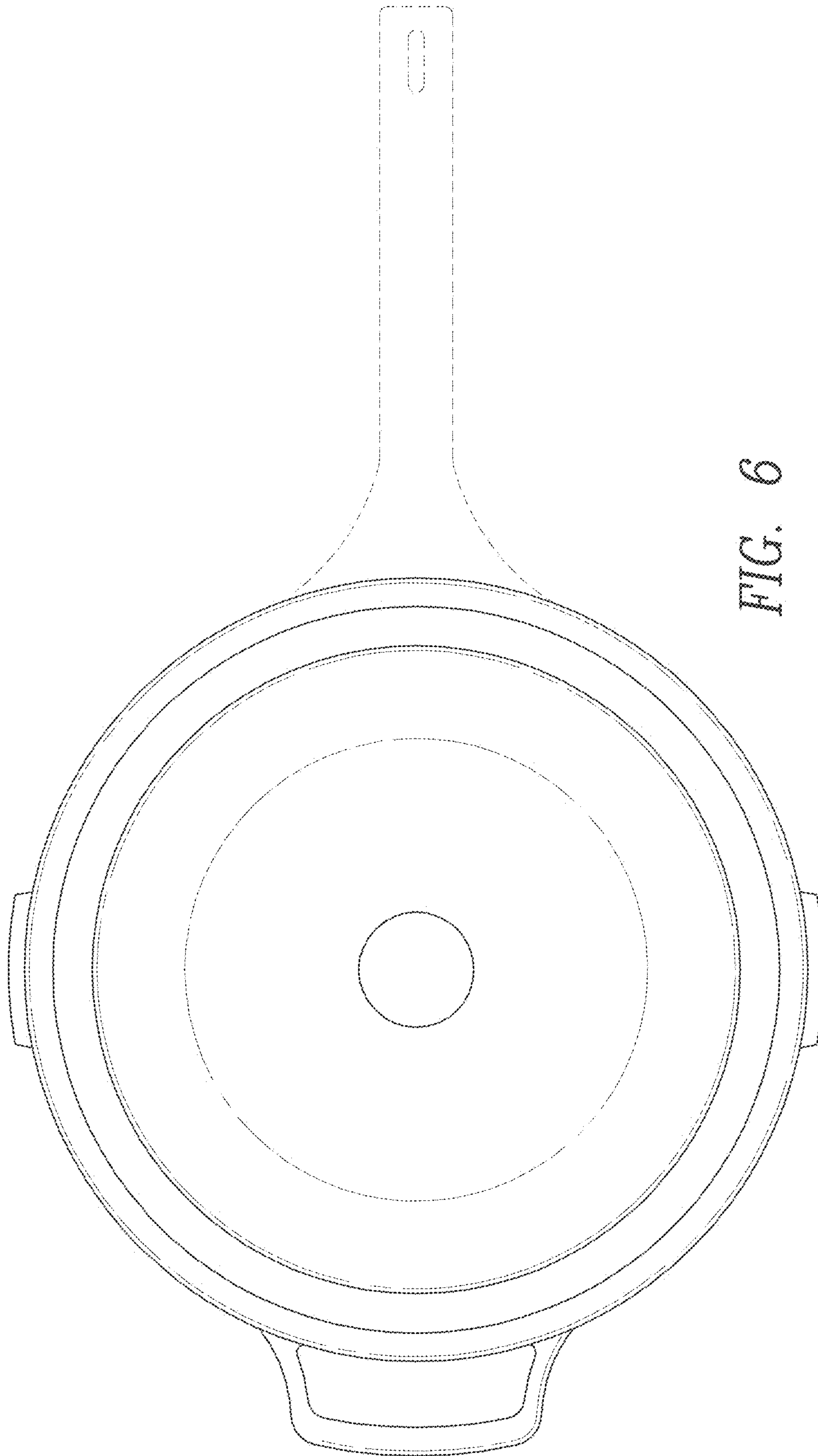


FIG. 6

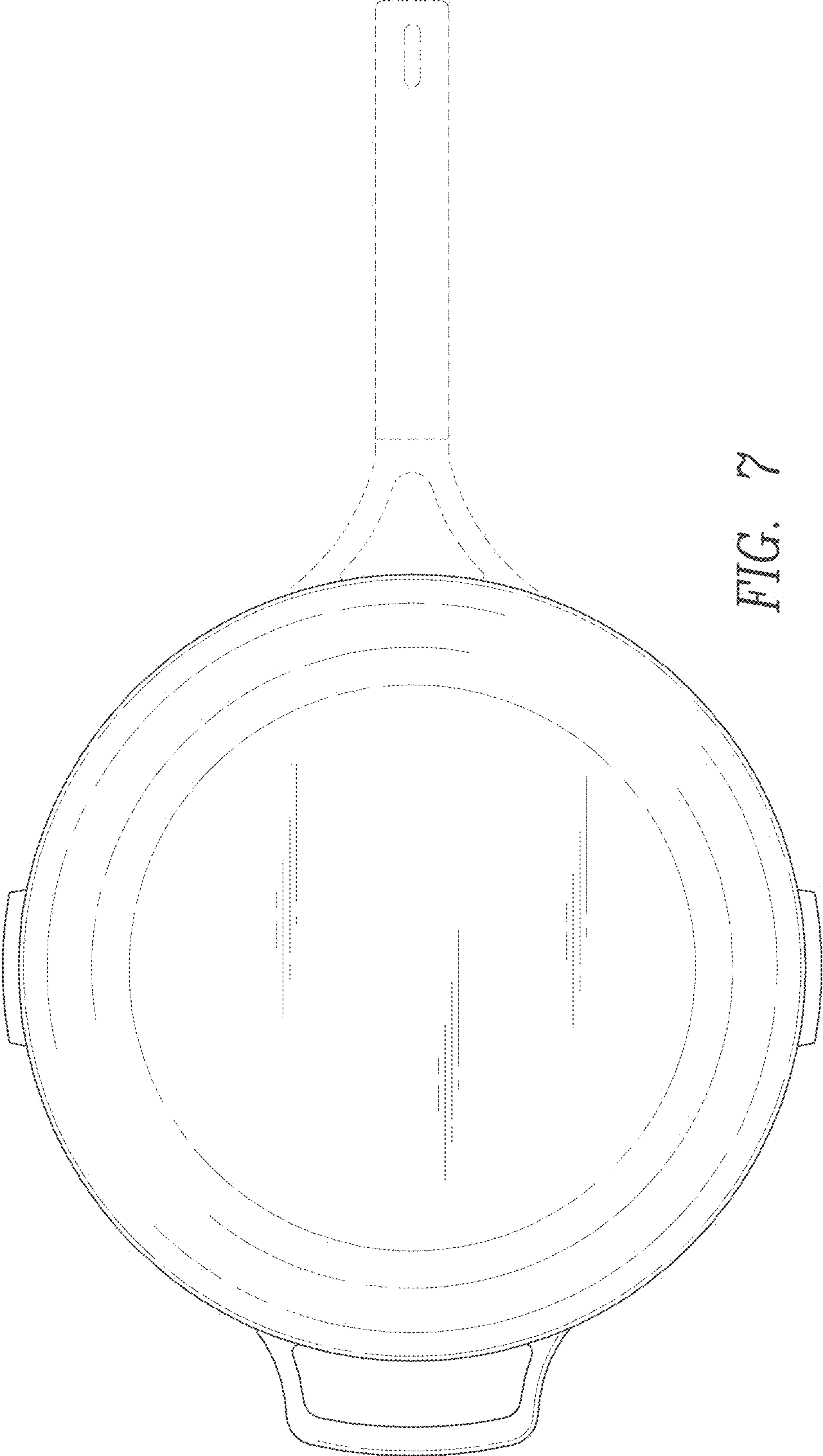


FIG. 7

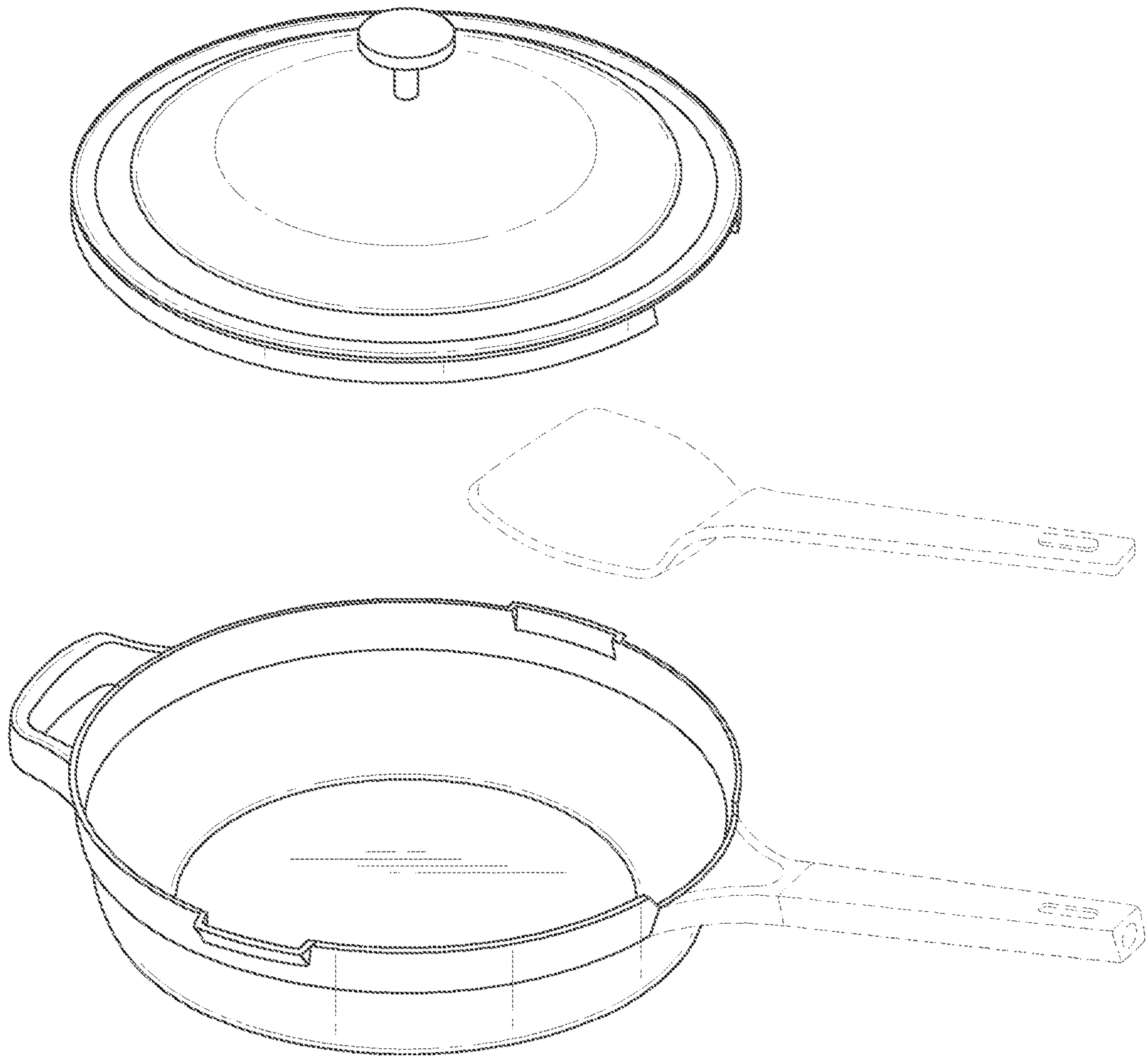


FIG. 8

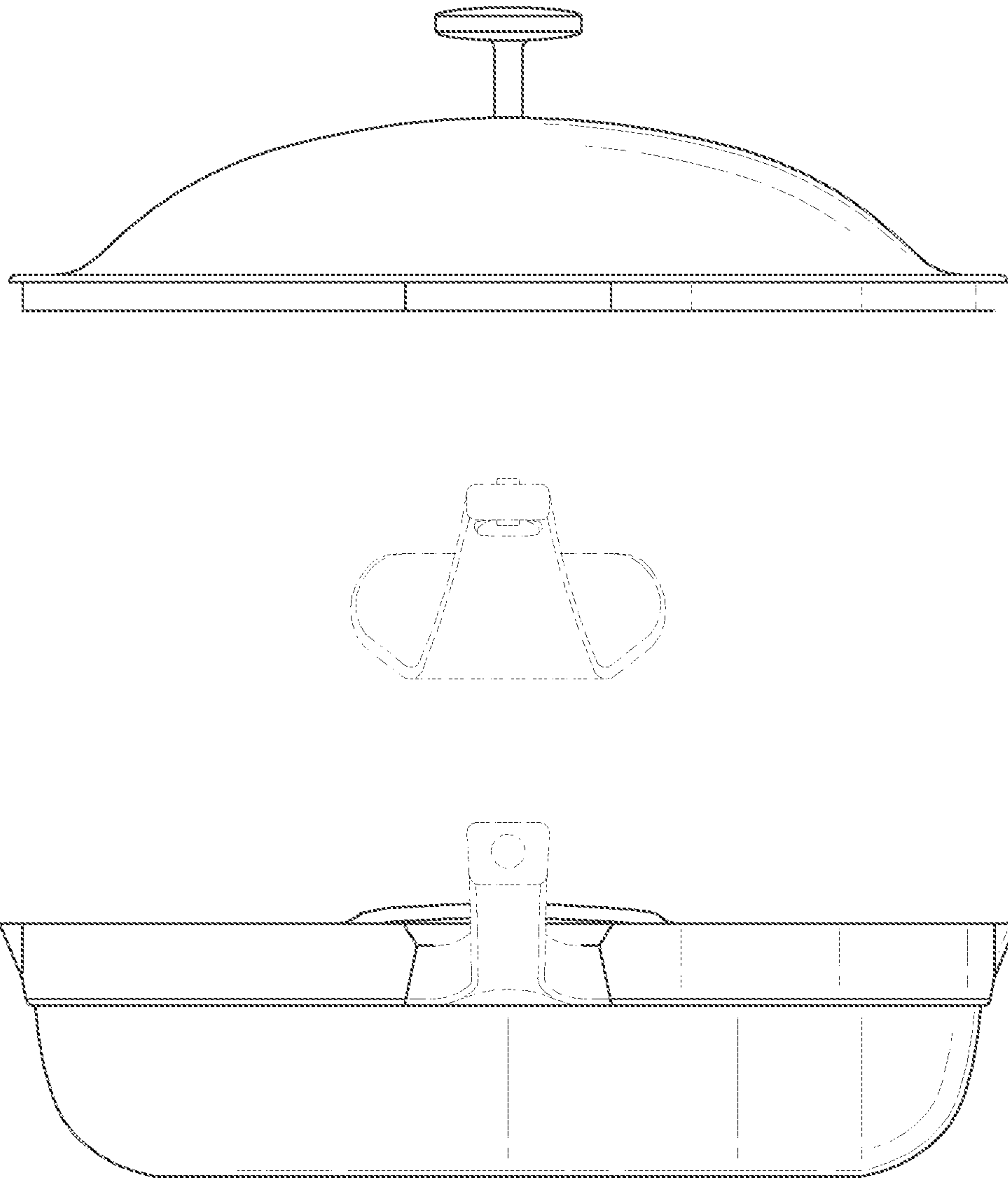


FIG. 9

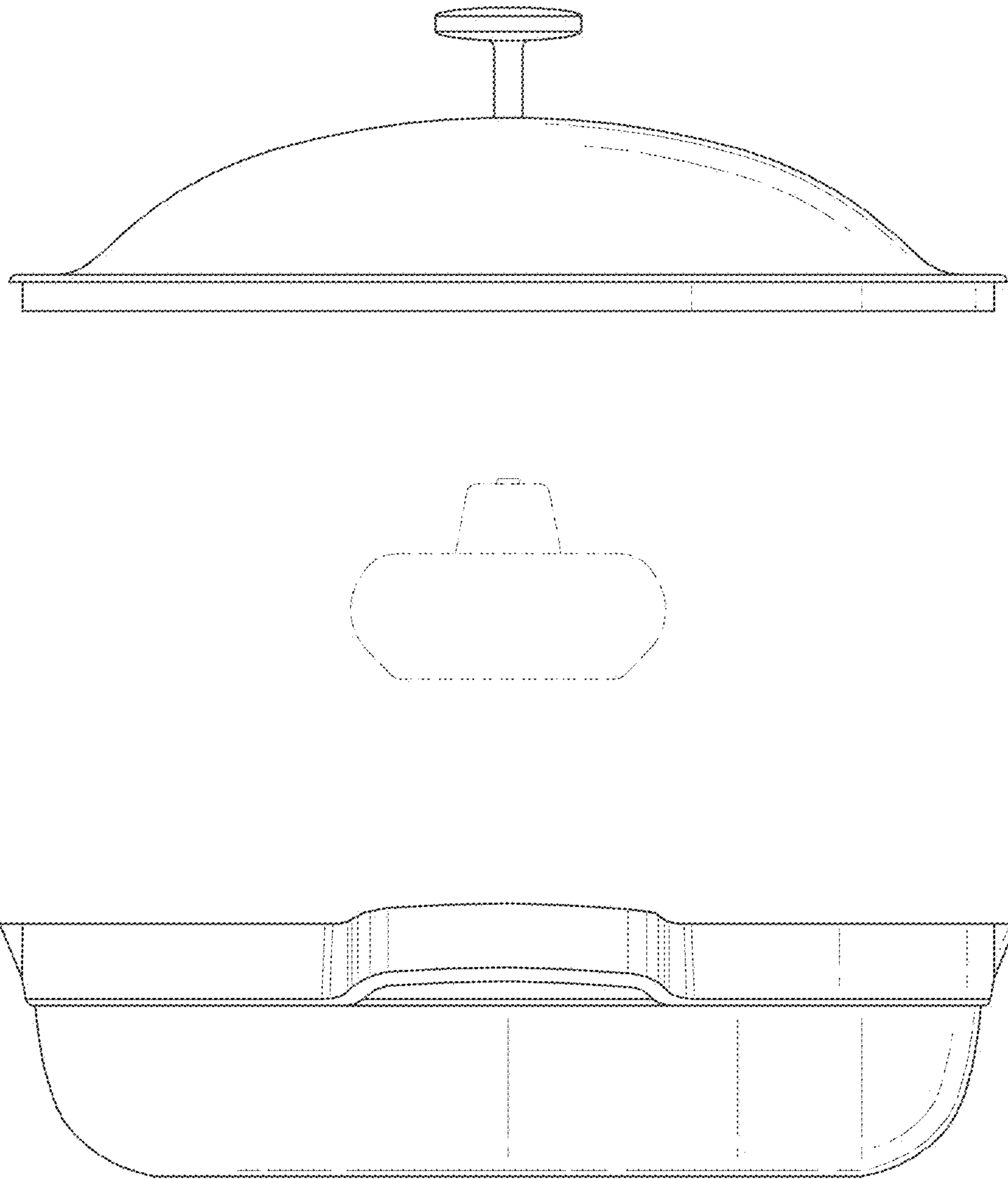


FIG. 10

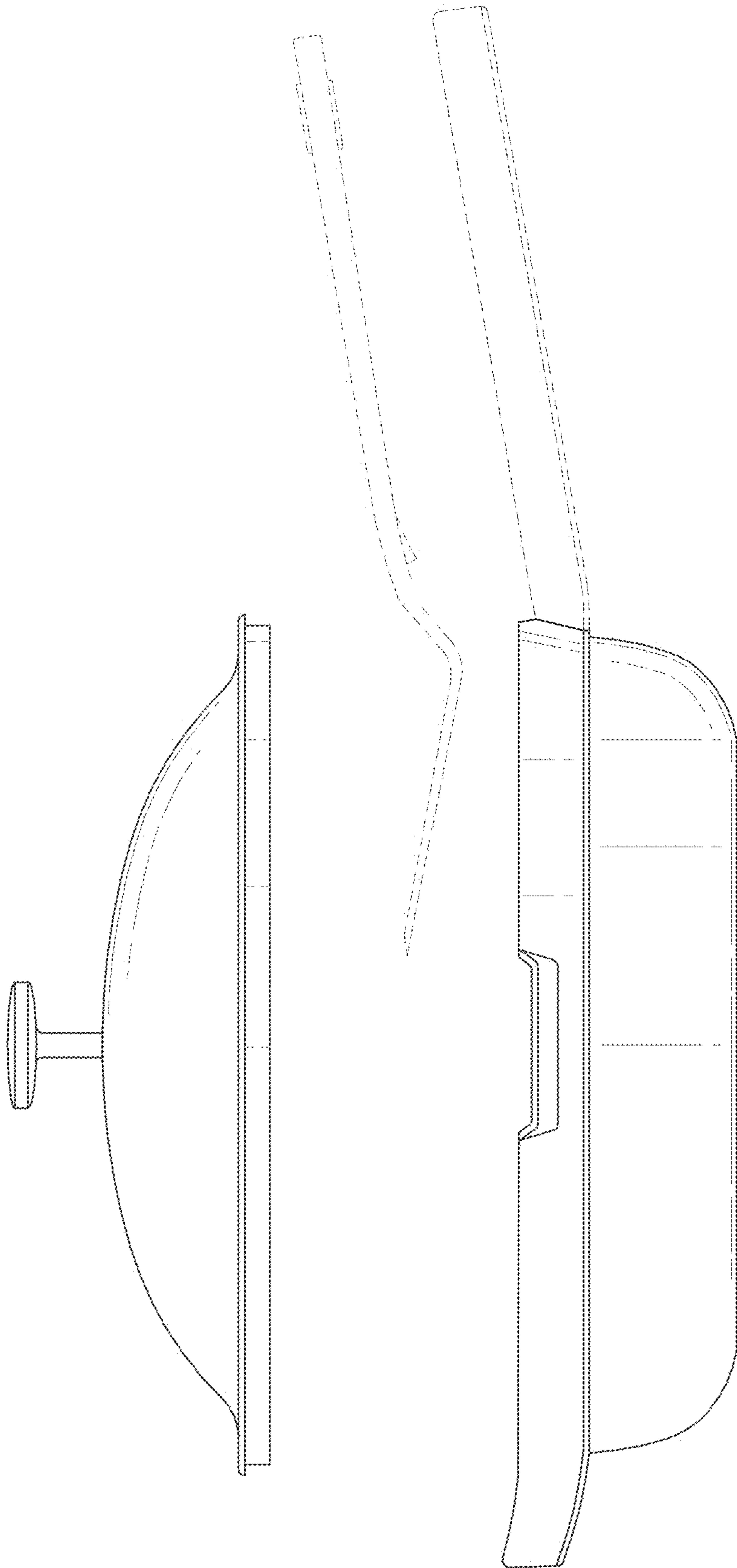


FIG. 11

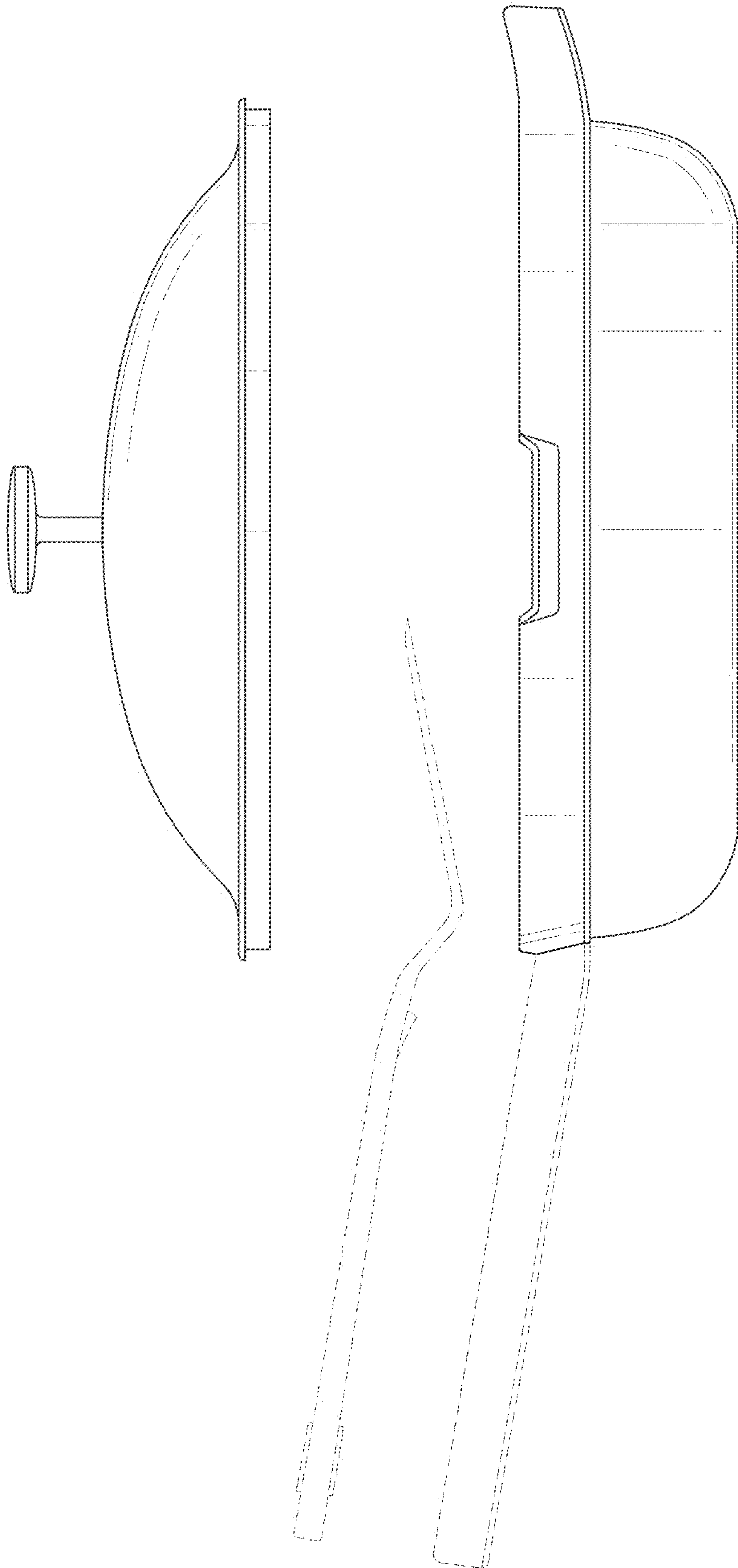


FIG. 12

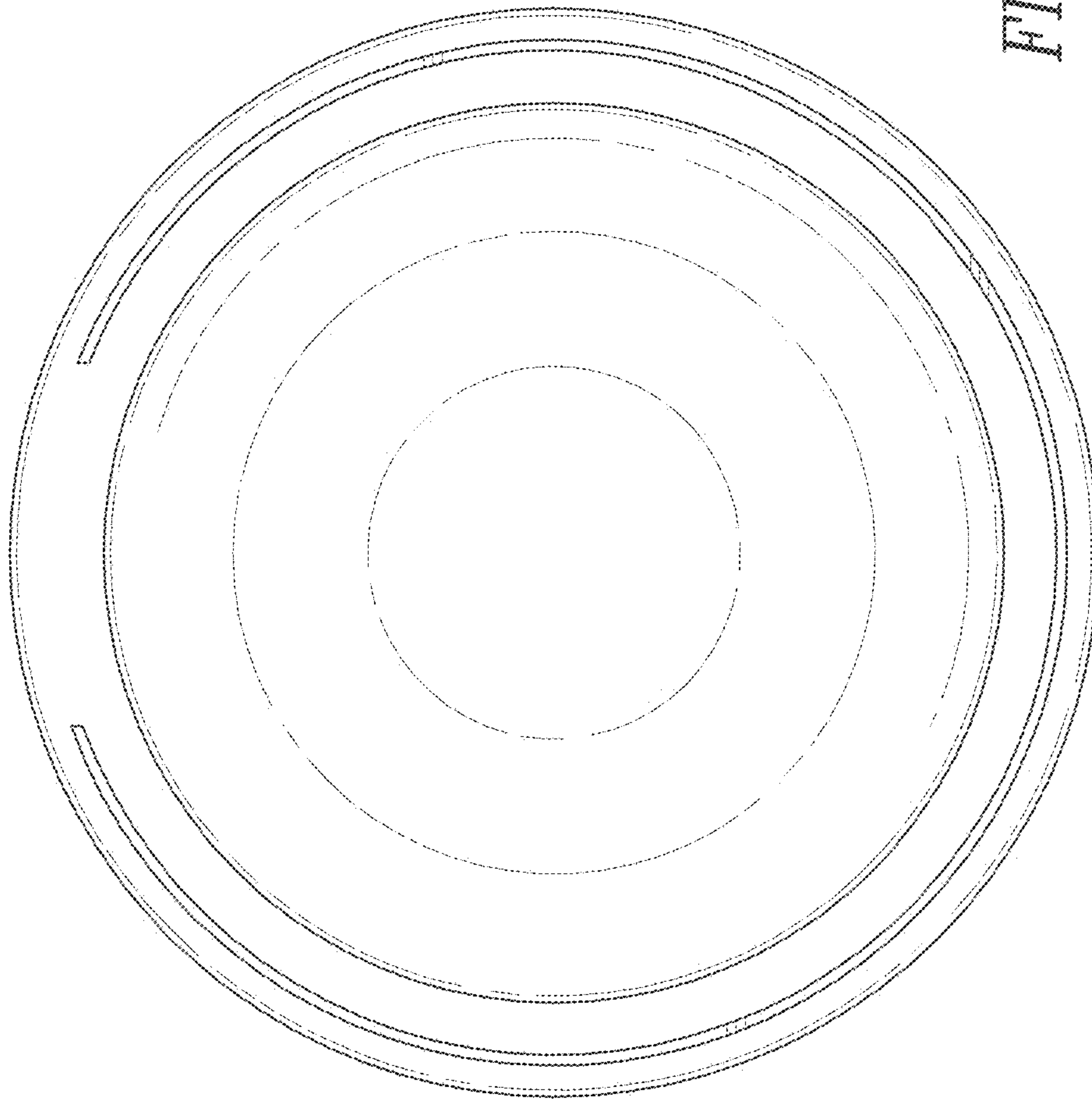


FIG. 13

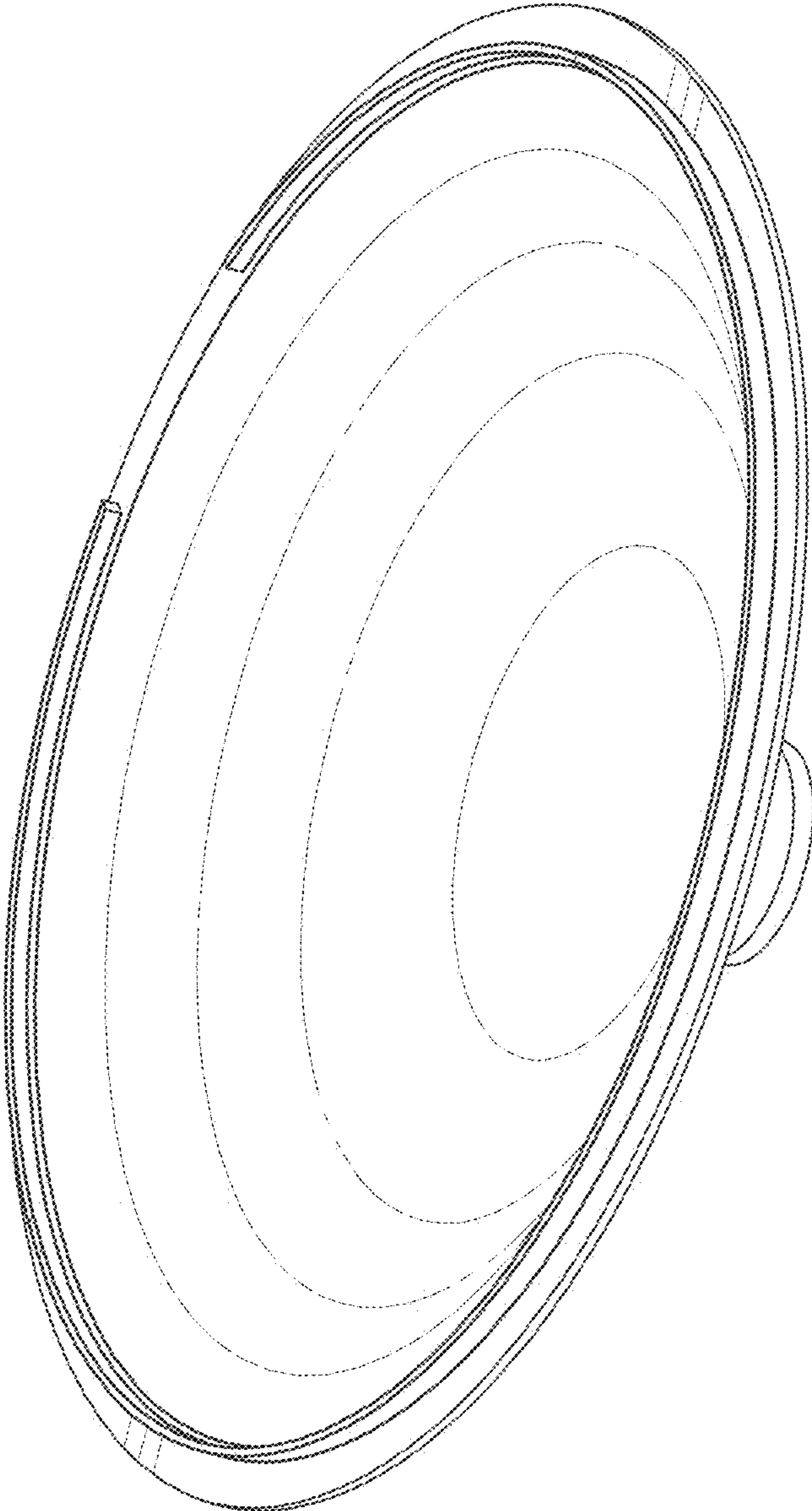


FIG. 14