



US00D916545S

(12) **United States Design Patent**  
**Cheng et al.**

(10) **Patent No.:** **US D916,545 S**  
(45) **Date of Patent:** **\*\* \*Apr. 20, 2021**

(54) **COOKWARE VESSEL WITH A DECORATIVE TEXTURE ON THE EXTERIOR BOTTOM**

**DESCRIPTION**

(71) Applicant: **Meyer Intellectual Properties Limited**,  
Kowloon (HK)

(72) Inventors: **Stanley Kin Sui Cheng**, Hillsborough,  
CA (US); **Roberto Tarenga**, Milan (IT)

(73) Assignee: **MEYER INTELLECTUAL  
PROPERTIES LIMITED**, Hong Kong  
(CN)

(\*) Notice: This patent is subject to a terminal disclaimer.

(\*\*) Term: **15 Years**

(21) Appl. No.: **29/723,087**

(22) Filed: **Feb. 4, 2020**

(51) **LOC (13) Cl.** ..... **07-02**

(52) **U.S. Cl.**  
USPC ..... **D7/359; D7/354; D7/361; D7/409**

(58) **Field of Classification Search**  
USPC ..... **D7/323, 354-363, 391, 393-396, 402,  
D7/409**

(Continued)

(56) **References Cited**

**U.S. PATENT DOCUMENTS**

5,396,834 A \* 3/1995 Gambini ..... A47J 27/022  
126/390.1  
D372,394 S \* 8/1996 Rossiaud ..... D7/359

(Continued)

*Primary Examiner* — Ricky Pham

(74) *Attorney, Agent, or Firm* — Edward S. Sherman

(57) **CLAIM**

The ornamental design for a cookware vessel with a decorative texture on the exterior bottom, as shown and described.

The file of this patent contains at least one drawing executed in color. Copies of this patent with color drawings will be provided by the Office upon request and payment of the necessary fee.

FIG. 1 is a bottom plan view of the cookware vessel with a decorative texture on the exterior bottom showing our new design;

FIG. 2 is a cross-sectional elevation view thereof taken at section line 2-2 in FIG. 1;

FIG. 3 is a bottom plan view of a second embodiment of the cookware vessel with a decorative texture on the exterior bottom showing our new design;

FIG. 4 is a cross-sectional elevation view thereof, taken at section line 4-4 in FIG. 3; and,

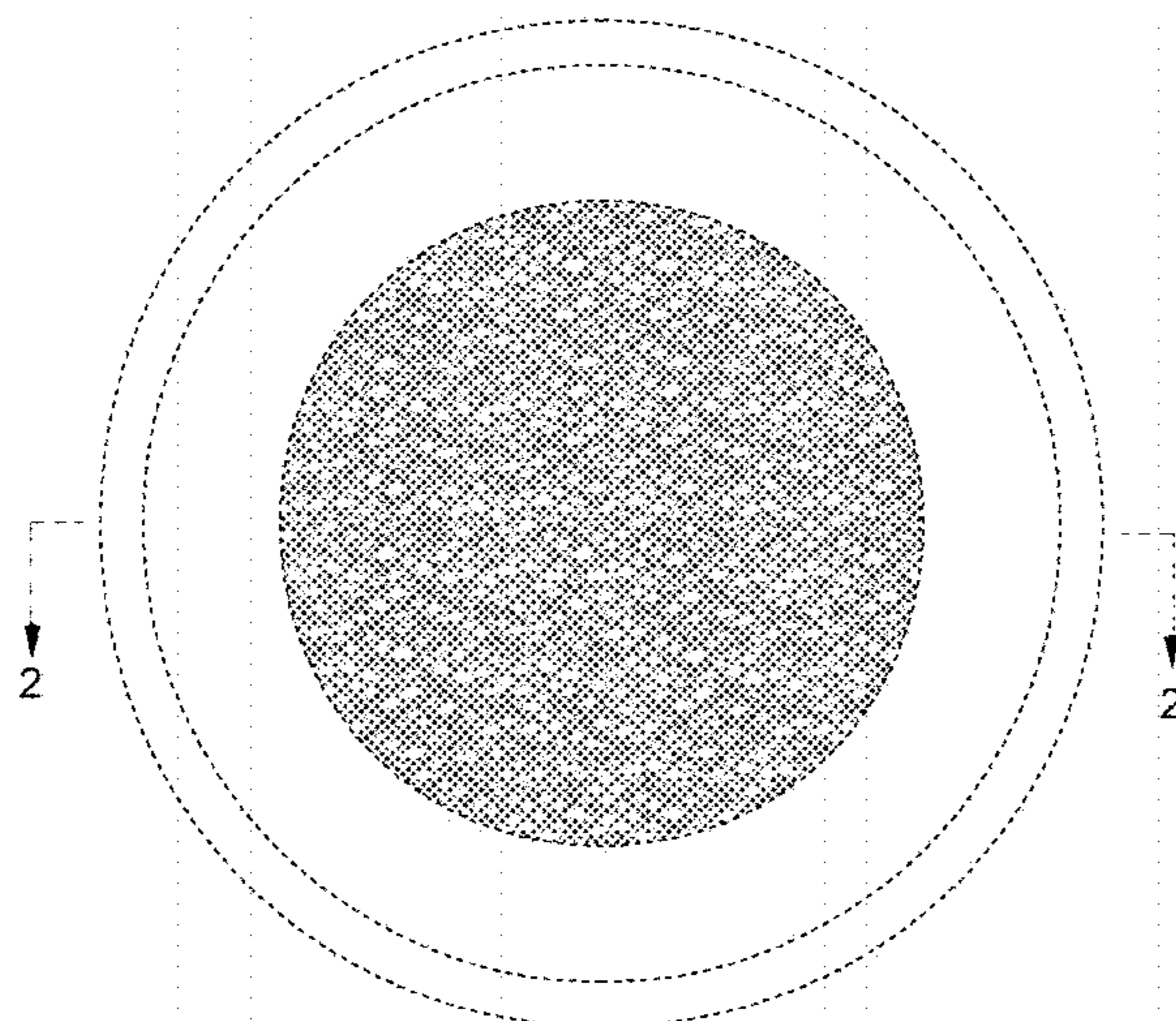
FIG. 5 is a front elevation thereof, the right, left and back elevation views being identical.

The bottom of the vessel in the elevation and cross sectional views is illustrated with a line of alternating colors to indicate that the bottom surface has a texture. The thickness of this line is not intended to illustrate the depth of this texture on the bottom surface with respect to any other dimensions. As this texture would extend outward from the 2 dimensional plane of the drawings figures by generally less than the lateral dimensions of the smallest colored features in the plan views, on the larger scale of illustration in elevation and section view the bottom surface is essentially planar and is hence represented by a line with alternating colors. As the contours of this texture are infinitesimally small with respect to other dimensions of the claimed design, the claim is not intended to be limited to a particular relative or absolute dimension, contour or shape of this texture.

The broken line in the various FIGS. indicate unclaimed portions of the design such that the claimed cookware vessel body is not limited to a particular wall shape or height above the interior portions indicate with solid lines.

The colors of the claimed design are not limited to the exact hues, brightness and saturation depicted.

**1 Claim, 2 Drawing Sheets**  
**(2 of 2 Drawing Sheet(s) Filed in Color)**



(58) **Field of Classification Search**

CPC ..... A47G 19/12; A47J 27/00; A47J 27/002;  
A47J 27/022; A47J 27/08; A47J 27/21;  
A47J 27/58; A47J 36/025; A47J 36/06;  
A47J 36/12; A47J 37/00; A47J 37/10;  
A47J 37/101; A47J 37/103; A47J 37/12;  
A47J 37/1204; A47J 45/061; A47J  
45/071; A47J 45/08; B23K 20/023; B65D  
5/5028; H05B 6/12

See application file for complete search history.

(56) **References Cited**

U.S. PATENT DOCUMENTS

5,542,540 A \* 8/1996 Knapp ..... B65D 5/5028  
206/521  
5,564,590 A 10/1996 Kim  
D377,438 S \* 1/1997 Brunianyn ..... D7/361  
D377,883 S \* 2/1997 Candianides ..... D7/361  
6,061,892 A 5/2000 Kassi  
D431,151 S \* 9/2000 Brunianyn ..... D7/354  
D618,505 S \* 6/2010 Rae ..... D7/359  
D662,775 S \* 7/2012 Moulin ..... D7/354  
D682,012 S \* 5/2013 Lin ..... D7/354  
D784,754 S \* 4/2017 Li ..... D7/354  
D816,391 S \* 5/2018 Kim ..... D7/359  
10,258,184 B2 \* 4/2019 Lee ..... A47J 27/002  
2009/0127268 A1 5/2009 Cuillery et al.  
2015/0001226 A1 \* 1/2015 Groll ..... B23K 20/023  
220/573.1

\* cited by examiner



FIG. 1

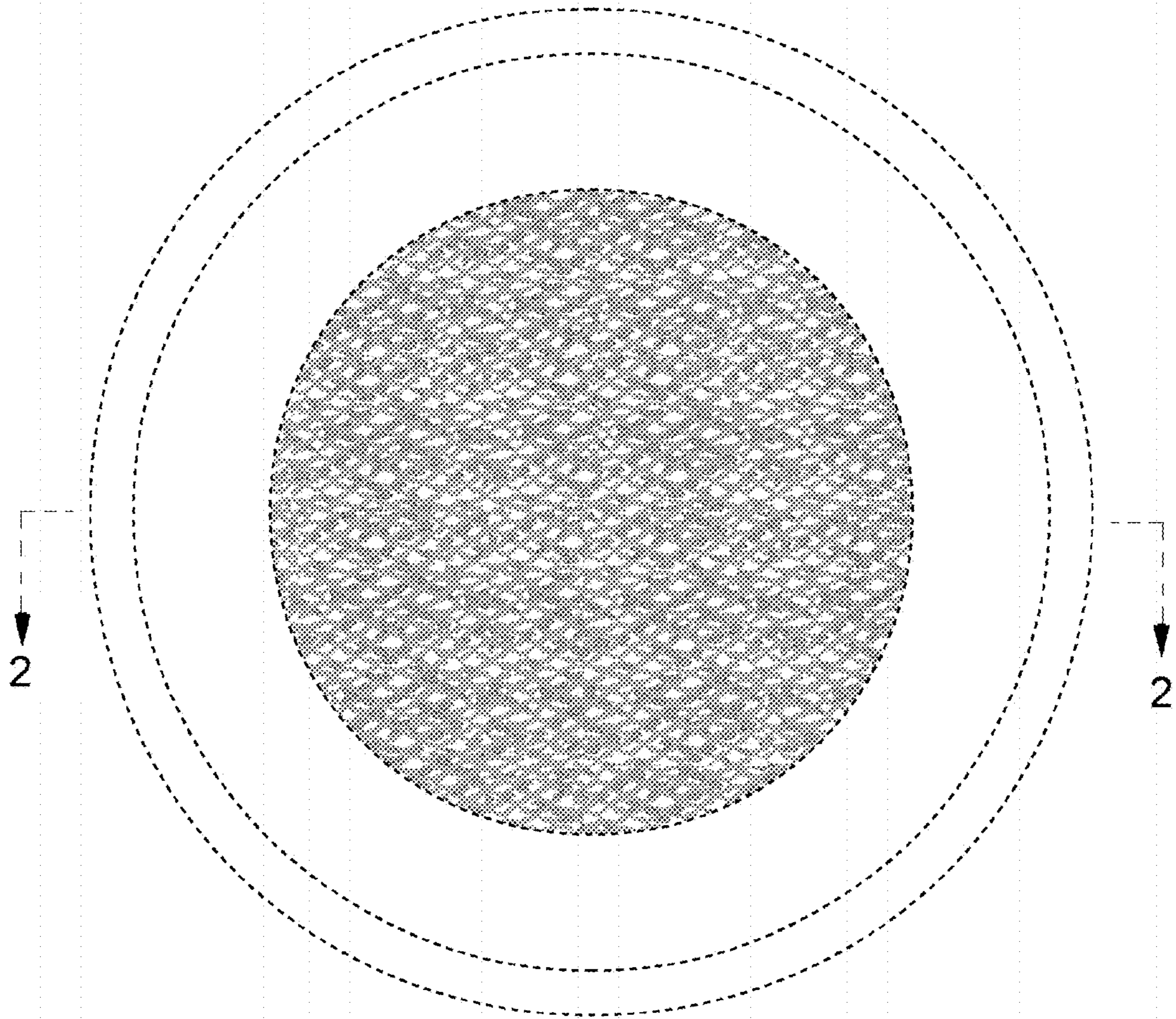


FIG. 2

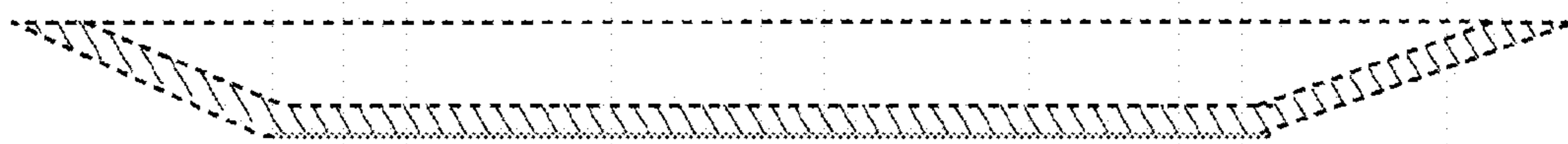




FIG. 3

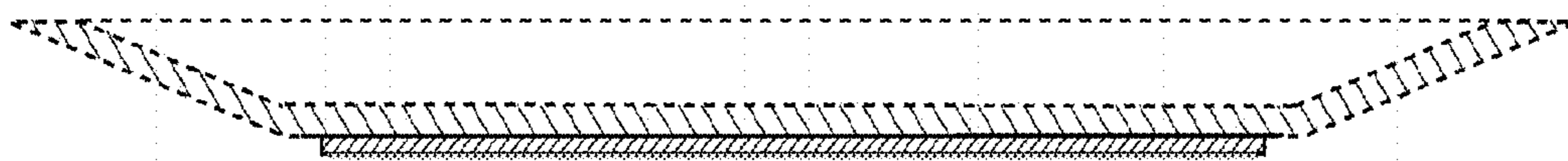
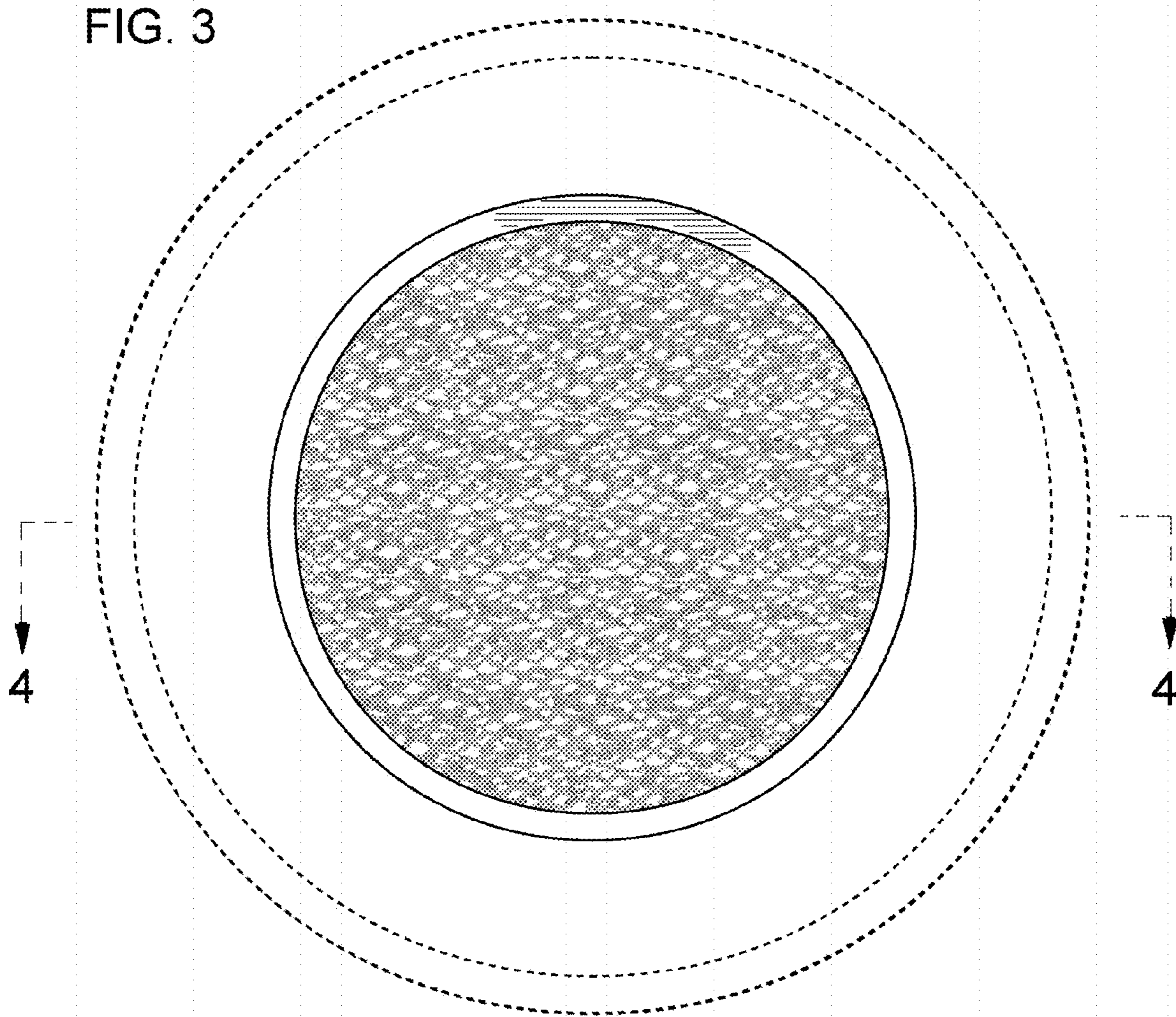


FIG. 4

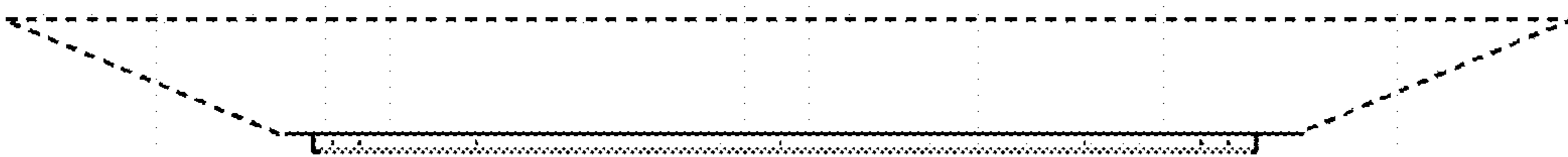


FIG. 5