



US00D916544S

(12) **United States Design Patent** (10) **Patent No.:** **US D916,544 S**  
**Cheng et al.** (45) **Date of Patent:** **\*\* \*Apr. 20, 2021**

- (54) **COOKWARE VESSEL BODY**
- (71) Applicant: **Meyer Intellectual Properties Limited**, Kowloon (HK)
- (72) Inventors: **Stanley Kin Sui Cheng**, Hillsborough, CA (US); **Roberto Tarenga**, Milan (IT)
- (73) Assignee: **MEYER INTELLECTUAL PROPERTIES LIMITED**, Hong Kong (CN)
- (\*) Notice: This patent is subject to a terminal disclaimer.
- (\*\*) Term: **15 Years**
- (21) Appl. No.: **29/731,164**
- (22) Filed: **Apr. 13, 2020**

**Related U.S. Application Data**

- (60) Division of application No. 29/695,278, filed on Jun. 18, 2019, and a continuation-in-part of application No. 29/660,102, filed on Aug. 17, 2018, and a continuation-in-part of application No. 29/660,109, filed on Aug. 17, 2018.
- (51) **LOC (13) Cl.** ..... **07-02**
- (52) **U.S. Cl.**  
USPC ..... **D7/354; D7/359**
- (58) **Field of Classification Search**  
USPC ..... D7/323, 354-363, 391, 393-396, 396.1, D7/409, 565, 584, 586, 587, 629; D9/428, 500, 503; D26/9; D27/190  
CPC ..... A47G 19/12; A47J 27/00; A47J 27/002; A47J 27/08; A47J 27/21; A47J 27/58; A47J 36/025; A47J 36/02; A47J 36/06; A47J 36/12; A47J 37/00; A47J 37/10; A47J 37/101; A47J 37/103; A47J 37/12; A47J 37/1204; A47J 45/061; A47J 45/071; A47J 45/08; H05B 6/12  
See application file for complete search history.

- (56) **References Cited**  
U.S. PATENT DOCUMENTS  
D132,280 S 5/1942 Miller  
D328,997 S 9/1992 Gerlach  
D414,375 S 9/1999 Diulus  
6,267,830 B1 7/2001 Groll  
D449,204 S 10/2001 Groll  
D474,936 S 5/2003 Groll  
D497,287 S \* 10/2004 Glander ..... D7/560  
D509,106 S 9/2005 de Groote  
(Continued)

*Primary Examiner* — Ricky Pham  
(74) *Attorney, Agent, or Firm* — Edward S. Sherman

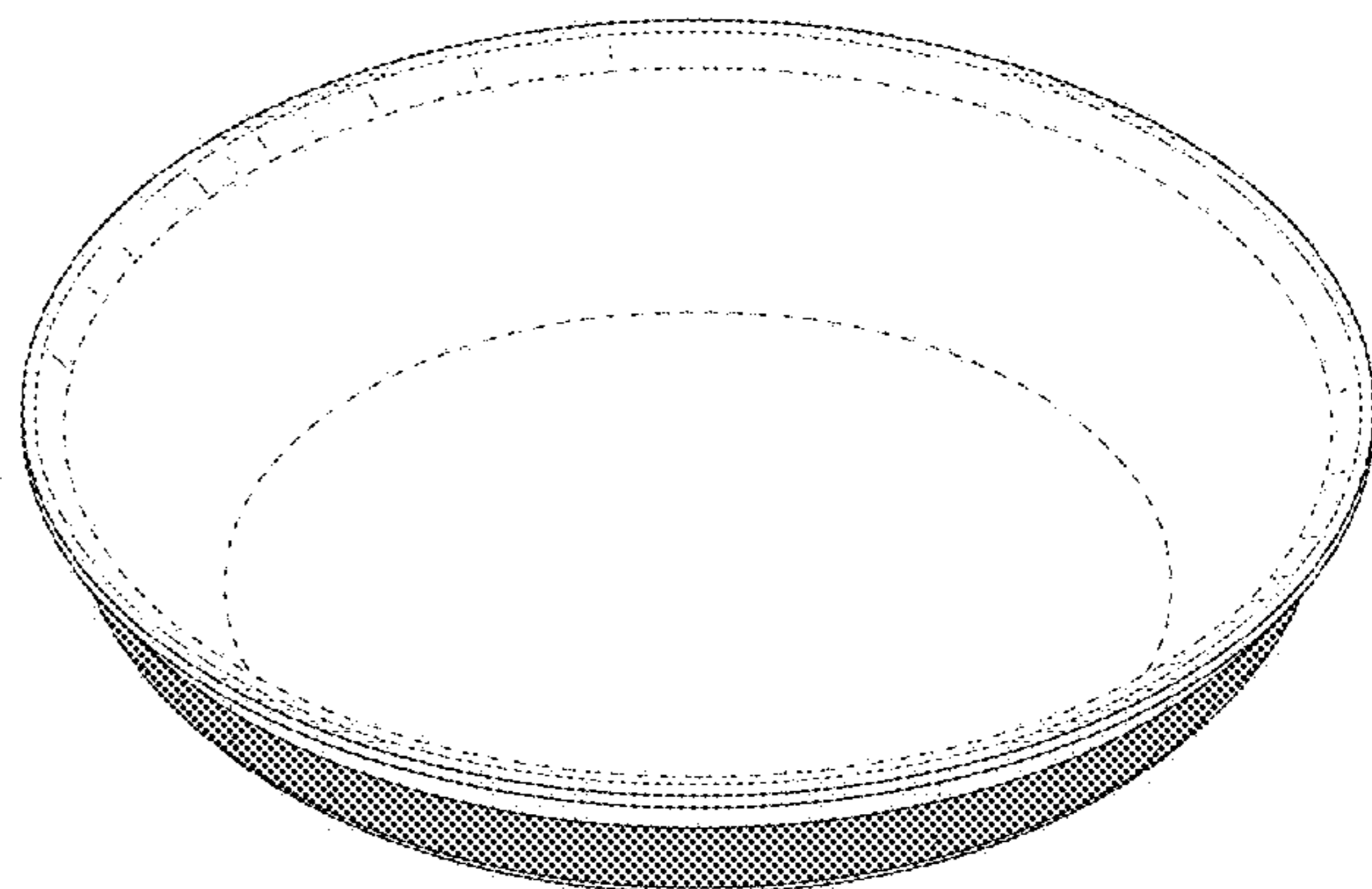
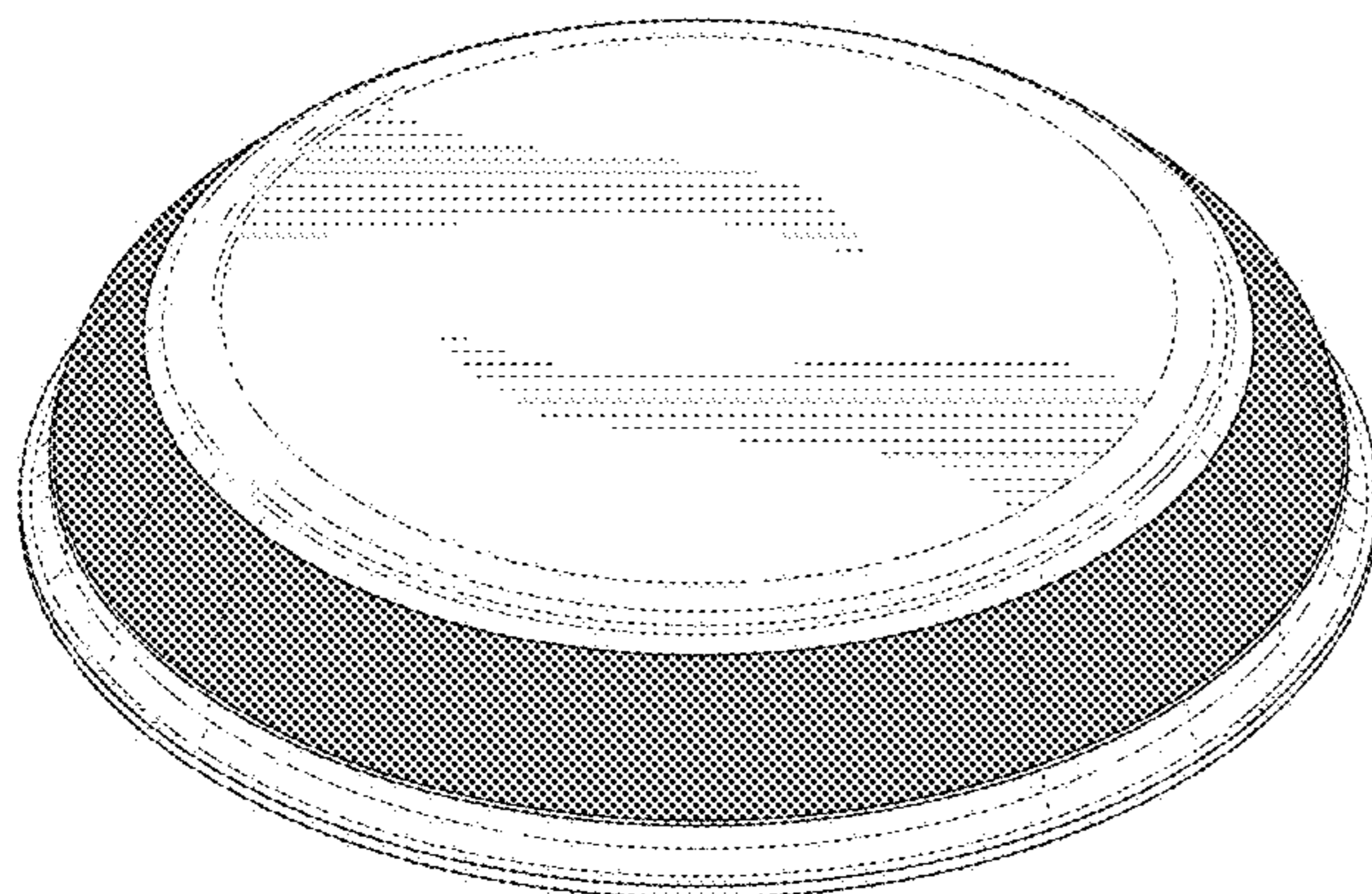
(57) **CLAIM**

The ornamental design for a cookware vessel body, as shown and described.

**DESCRIPTION**

The patent or application file contains at least one drawing executed in color. Copies of this patent or patent application publication with color drawing(s) will be provided by the Office upon request and payment of the necessary fee.  
FIG. 1 is a side elevation view of the “cookware vessel body”, showing our new design;  
FIG. 2 is a bottom perspective view thereof;  
FIG. 3 is a top perspective view thereof;  
FIG. 4 is a top plan view thereof; and,  
FIG. 5 is a bottom plan view thereof.  
The color of the embodiments of the design are not limited to the exact hue, brightness and saturation depicted.  
The broken lines in various FIGS are for illustrative purposes only, depicting the environment of the new design, forming no part thereof as claimed. The appearance of any portion of the article between broken lines forms no part of the claimed design.

**1 Claim, 5 Drawing Sheets**  
**(4 of 5 Drawing Sheet(s) Filed in Color)**



(56)

**References Cited**

## U.S. PATENT DOCUMENTS

D517,865	S	3/2006	Rocha	
D544,298	S	* 6/2007	Eide .....	D7/396.1
D575,992	S	* 9/2008	LeGreve .....	D7/586
D588,861	S	3/2009	Cheng	
D599,609	S	9/2009	Ruffoni	
D606,405	S	9/2009	Takata	
D606,404	S	* 12/2009	Diss .....	D9/428
D612,732	S	* 3/2010	Takata .....	D9/428
D625,149	S	10/2010	Stamper	
D628,443	S	* 12/2010	McTaggart .....	D7/545
D629,246	S	12/2010	Ruffoni	
D639,602	S	6/2011	Bodum	
D641,585	S	7/2011	Cheng	
D647,397	S	* 10/2011	Inaba .....	D9/425
D649,054	S	11/2011	Sharma	
D652,670	S	1/2012	Rae	
D665,627	S	8/2012	De Winter	
8,425,752	B2	4/2013	Cheng	
D693,182	S	* 11/2013	Katterheinrich .....	D7/587
D699,067	S	2/2014	Cheng	
D709,317	S	7/2014	Cheng	
D710,686	S	8/2014	Gowens	
D715,092	S	10/2014	Thun	
D738,159	S	9/2015	Cheng	
D750,481	S	* 3/2016	Rapparini .....	D9/500
D750,420	S	6/2016	Hu	
D764,857	S	8/2016	McConnell	
D787,274	S	* 5/2017	Gagnon .....	D7/586
D792,745	S	* 7/2017	Wu .....	D7/587
D797,491	S	* 9/2017	Mirchandani .....	D7/354
D820,027	S	6/2018	Weernink	
D862,988	S	* 10/2019	Wiggins .....	D7/587
D871,159	S	12/2019	Ellison	
D876,875	S	3/2020	Wang	
D876,876	S	3/2020	Wang	

\* cited by examiner

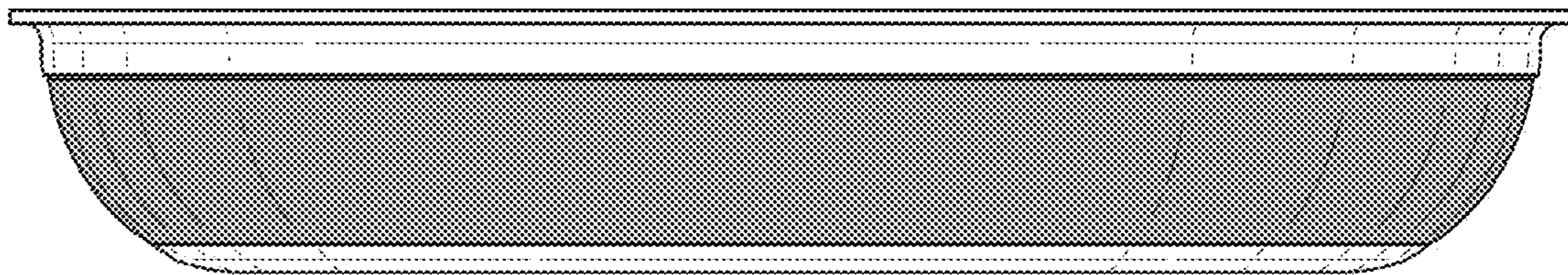


FIG. 1

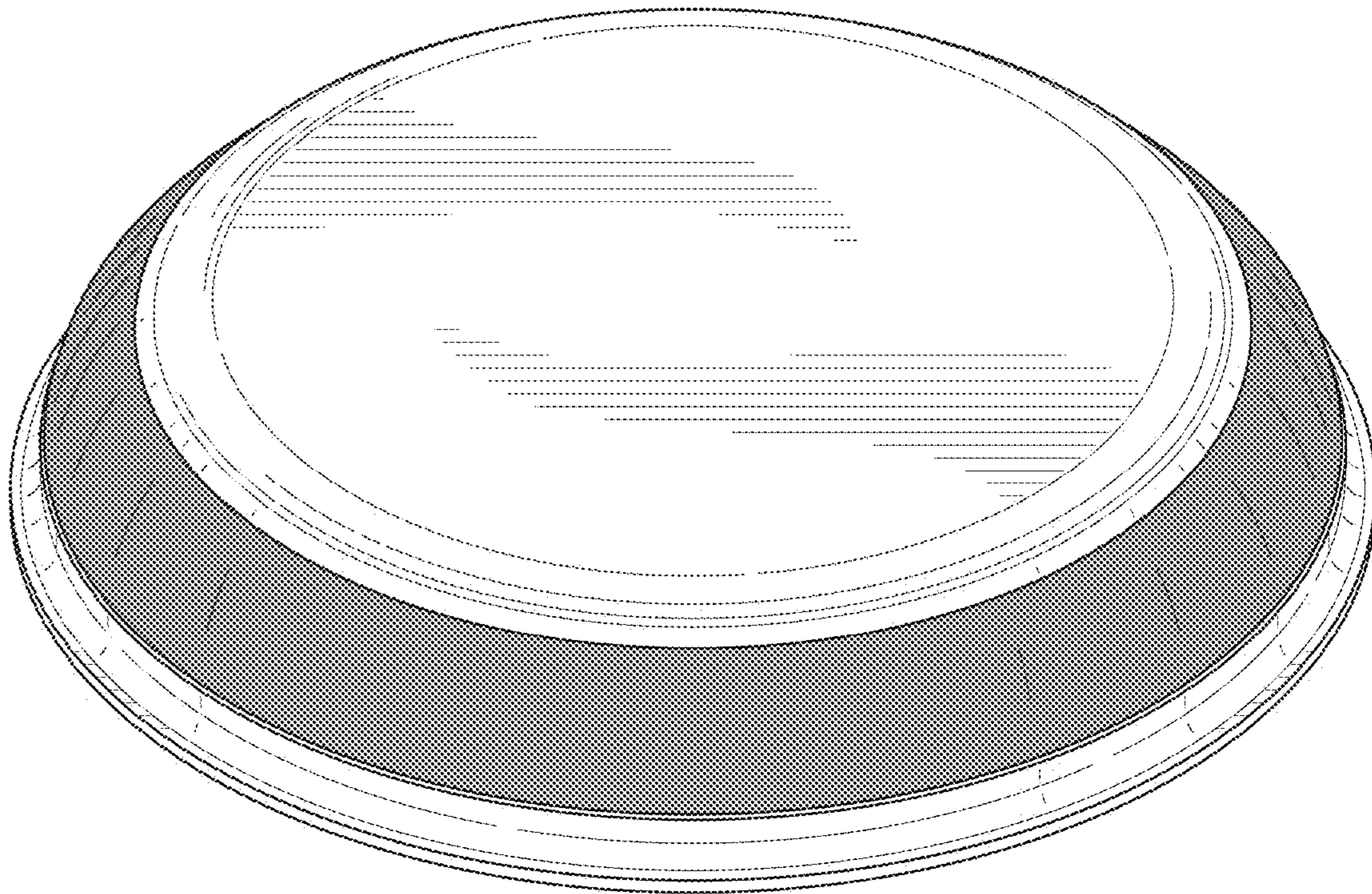


FIG. 2

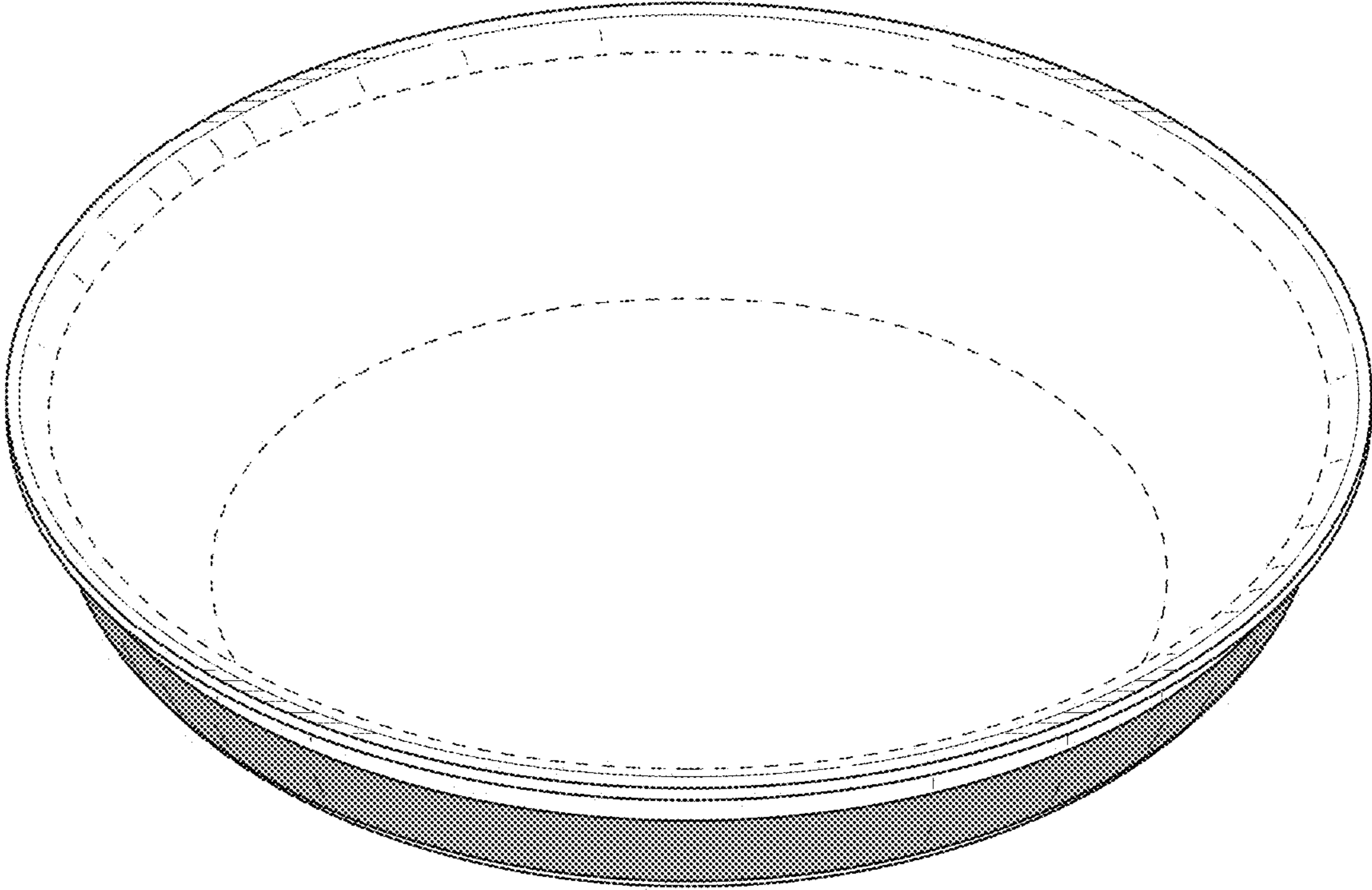


FIG. 3

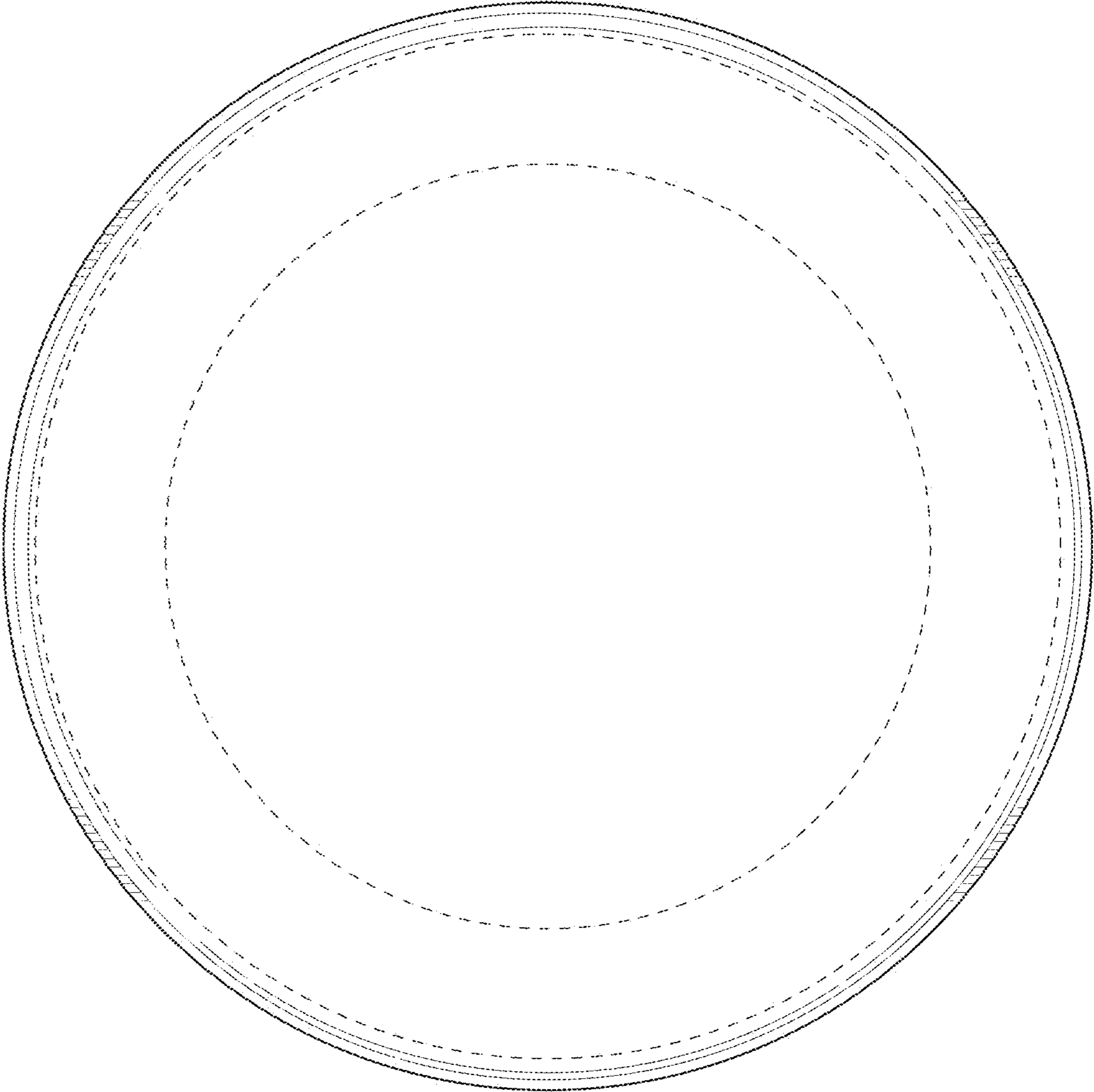


FIG. 4

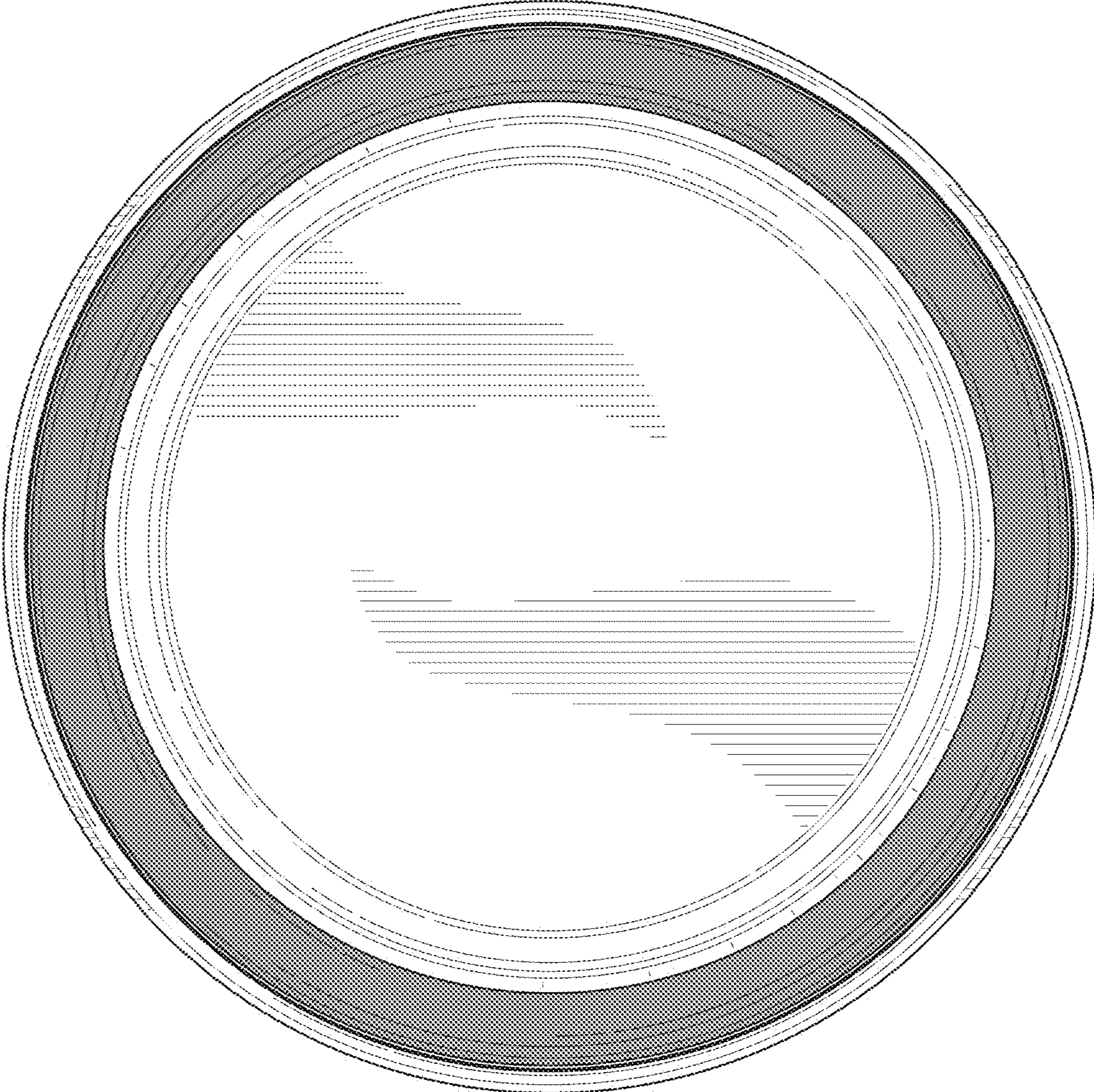


FIG. 5