



US00D916543S

(12) **United States Design Patent**
Cheng et al.

(10) **Patent No.: US D916,543 S**

(45) **Date of Patent: ** *Apr. 20, 2021**

(54) **COOKWARE VESSEL BODY**

(71) Applicant: **Meyer Intellectual Properties Limited**,
Kowloon (HK)

(72) Inventors: **Stanley Kin Sui Cheng**, Hillsborough,
CA (US); **Roberto Tarenga**, Milan (IT)

(73) Assignee: **MEYER INTELLECTUAL
PROPERTIES LIMITED**, Hong Kong
(CN)

(*) Notice: This patent is subject to a terminal dis-
claimer.

(**) Term: **15 Years**

(21) Appl. No.: **29/731,161**

(22) Filed: **Apr. 13, 2020**

Related U.S. Application Data

(60) Division of application No. 29/695,278, filed on Jun.
18, 2019, and a continuation-in-part of application
No. 29/660,102, filed on Aug. 17, 2018, and a
continuation-in-part of application No. 29/660,109,
filed on Aug. 17, 2018.

(51) **LOC (13) Cl.** **07-02**

(52) **U.S. Cl.**
USPC **D7/354; D7/359**

(58) **Field of Classification Search**
USPC D7/323, 354–363, 391, 393–396, 409,
D7/584, 586, 587, 629; D9/428, 500,
D9/503; D26/9; D27/190
CPC A47G 19/12; A47J 27/00; A47J 27/002;
A47J 27/08; A47J 27/21; A47J 27/58;
A47J 36/025; A47J 36/02; A47J 36/06;
A47J 36/12; A47J 37/00; A47J 37/10;
A47J 37/101; A47J 37/103; A47J 37/12;
A47J 37/1204; A47J 45/061; A47J
45/071; A47J 45/08; H05B 6/12
See application file for complete search history.

(56) **References Cited**

U.S. PATENT DOCUMENTS

D132,280 S	5/1942	Miller	
D328,997 S	9/1992	Gerlach	
D414,375 S	9/1999	Diulius	
6,267,830 B1	7/2001	Groll	
D449,204 S	10/2001	Groll	
D453,094 S *	1/2002	Maggard	D7/584
D474,936 S	5/2003	Groll	
D509,106 S	9/2005	de Groote	

(Continued)

Primary Examiner — Ricky Pham

(74) *Attorney, Agent, or Firm* — Edward S. Sherman

(57) **CLAIM**

The ornamental design for a cookware vessel body, as
shown and described.

DESCRIPTION

The patent or application file contains at least one drawing
executed in color. Copies of this patent or patent application
publication with color drawing(s) will be provided by the
Office upon request and payment of the necessary fee.

FIG. 1 is a side elevation view of the “cookware vessel
body”, showing our new design;

FIG. 2 is a bottom perspective view thereof;

FIG. 3 is a top perspective view thereof;

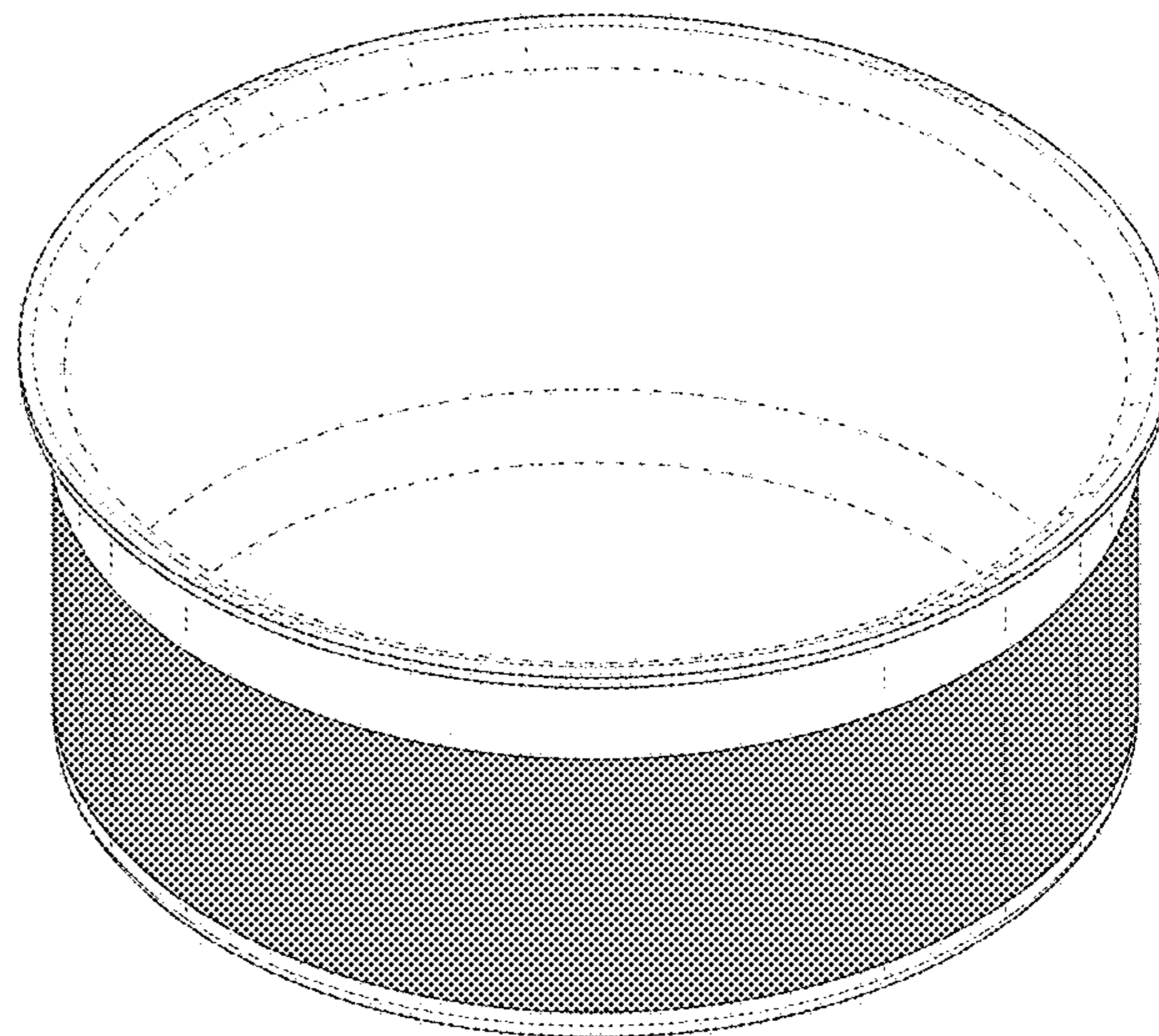
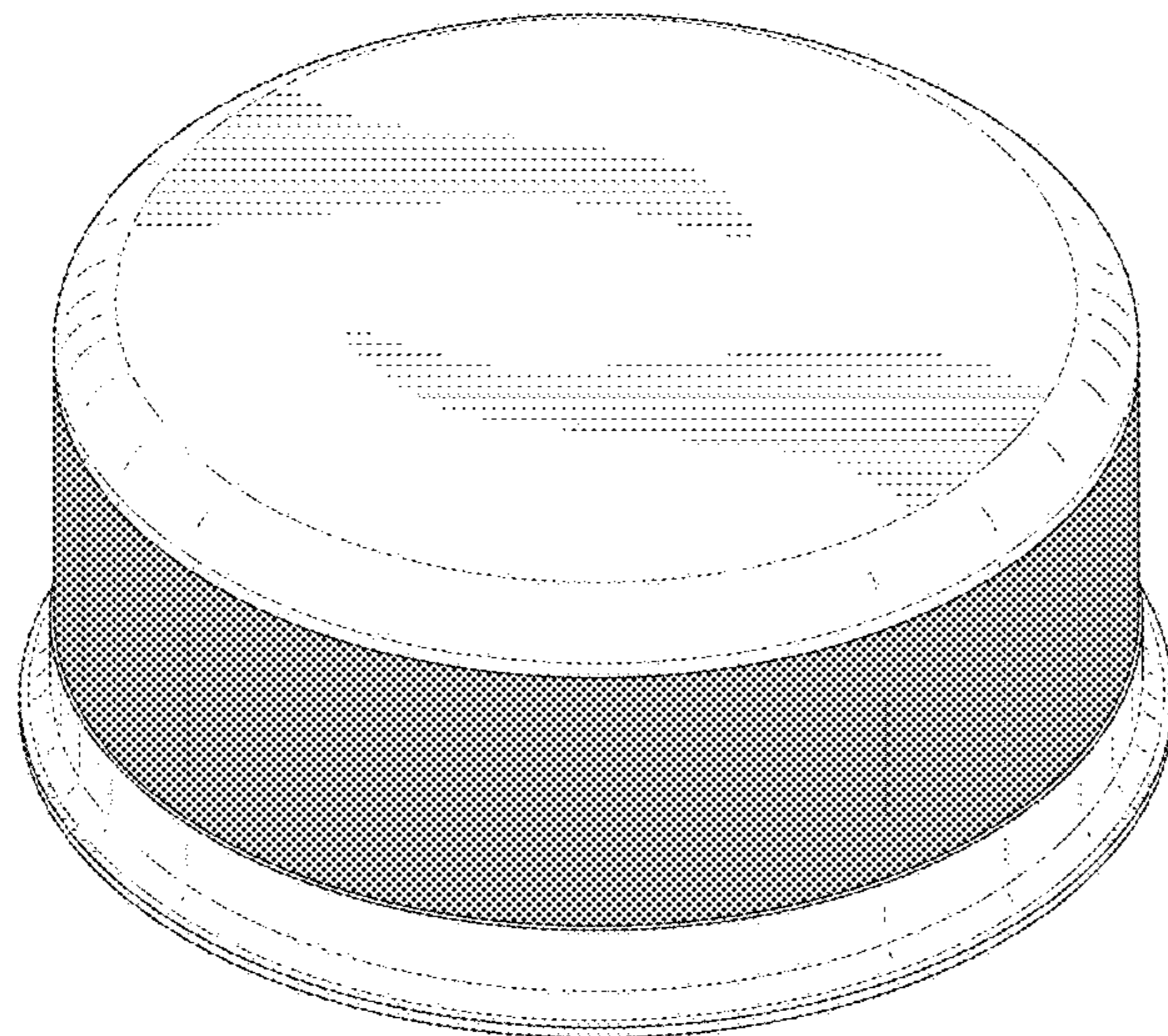
FIG. 4 is a top plan view thereof; and,

FIG. 5 is a bottom plan view thereof.

The color of the embodiments of the design are not limited
to the exact hue, brightness and saturation depicted.

The broken lines in various FIGS are for illustrative pur-
poses only, depicting the environment of the new design,
forming no part thereof as claimed. The appearance of any
portion of the article between broken lines forms no part of
the claimed design.

1 Claim, 5 Drawing Sheets
(3 of 5 Drawing Sheet(s) Filed in Color)



(56)

References Cited

U.S. PATENT DOCUMENTS

D517,865 S	3/2006	Rocha	
D571,607 S *	6/2008	Stattmann	D7/361
D588,861 S	3/2009	Cheng	
D599,609 S	9/2009	Ruffoni	
D606,405 S	12/2009	Takata	
D608,499 S *	1/2010	Hodgson	D27/133
D612,732 S *	3/2010	Takata	D9/428
D625,149 S	10/2010	Stamper	
D629,246 S	12/2010	Ruffoni	
D639,602 S	6/2011	Bodum	
D641,585 S	7/2011	Cheng	
D647,397 S *	10/2011	Inaba	D9/425
D649,054 S	11/2011	Sharma	
D652,670 S	1/2012	Rae	
D665,627 S	8/2012	De Winter	
D666,461 S *	9/2012	Siegel	D7/629
8,425,752 B2	4/2013	Cheng	
D684,459 S *	6/2013	Stowe	D9/428
D692,760 S *	11/2013	Rapparini	D9/425
D699,067 S	2/2014	Cheng	
D709,317 S	7/2014	Cheng	
D710,686 S	8/2014	Gowens	
D715,092 S	10/2014	Thun	
D737,678 S *	9/2015	Danenberg	D9/428
D738,159 S	9/2015	Cheng	
D750,420 S	3/2016	Hu	
D761,061 S *	7/2016	McConnell	D7/587
D764,857 S	8/2016	McConnell	
D787,274 S *	5/2017	Gagnon	D7/586
D820,027 S	6/2018	Weernink	
D826,053 S *	8/2018	Schaling	D9/503
D871,159 S	12/2019	Ellison	
D871,619 S *	12/2019	Wrobel	D26/9
D876,875 S	3/2020	Wang	
D876,876 S	3/2020	Wang	

* cited by examiner

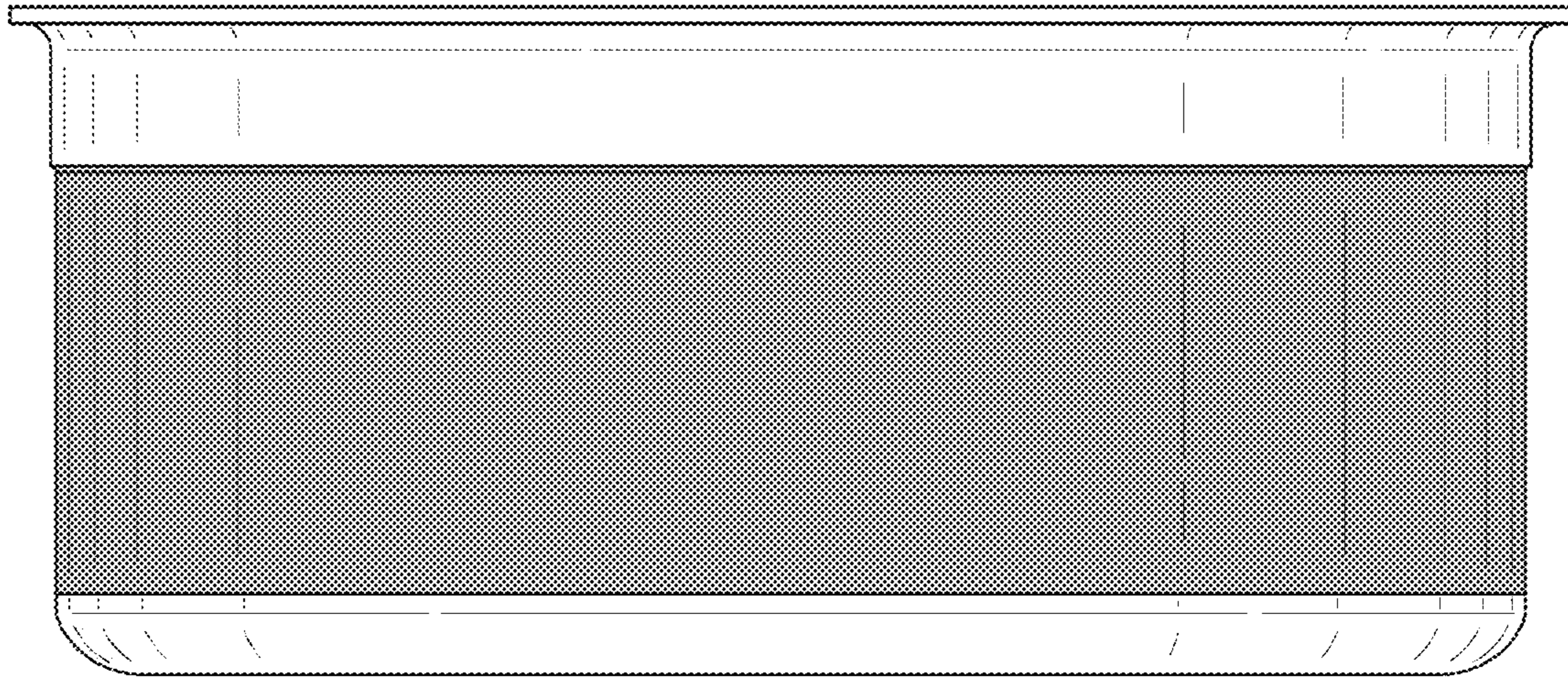


FIG. 1

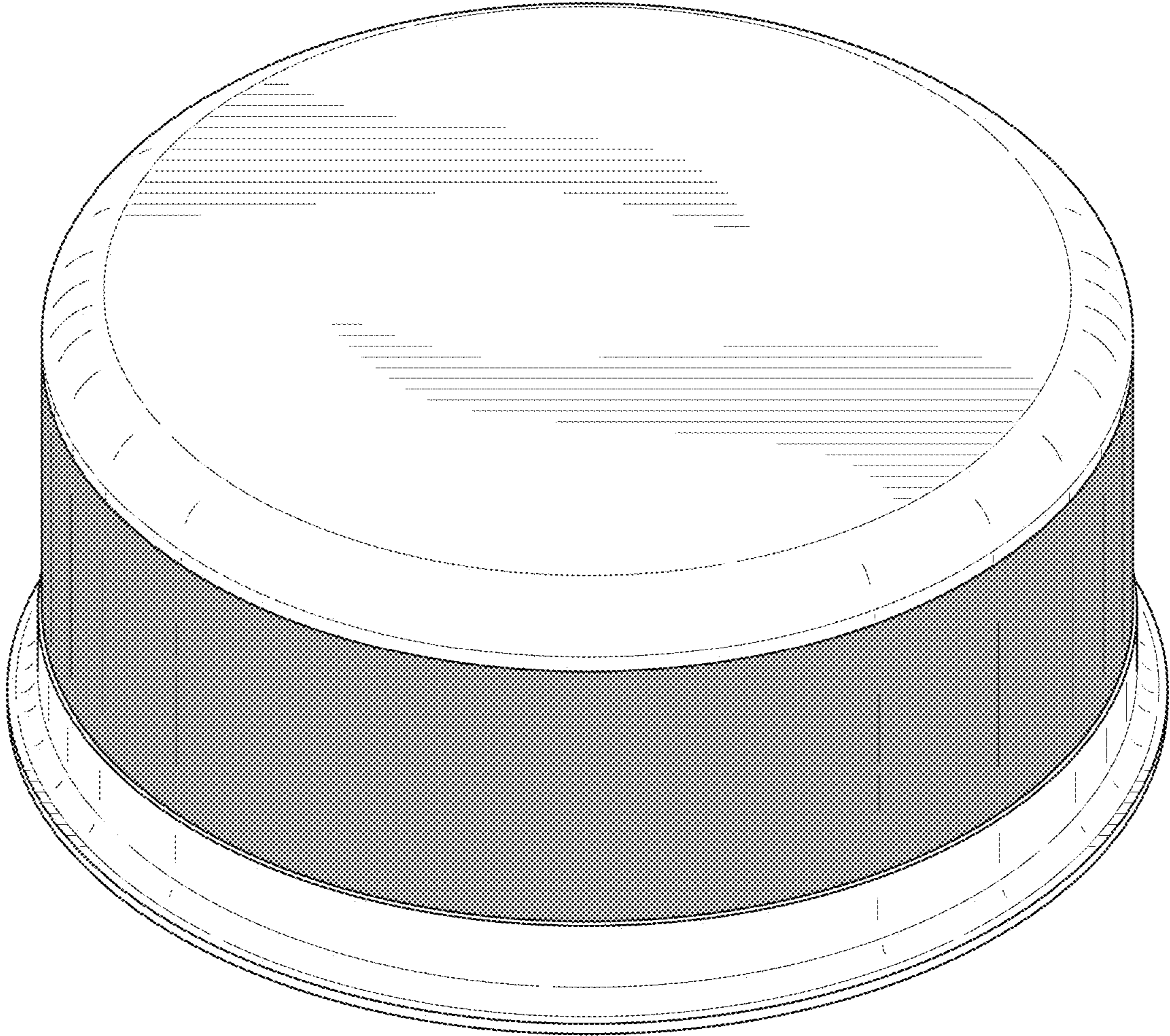


FIG. 2

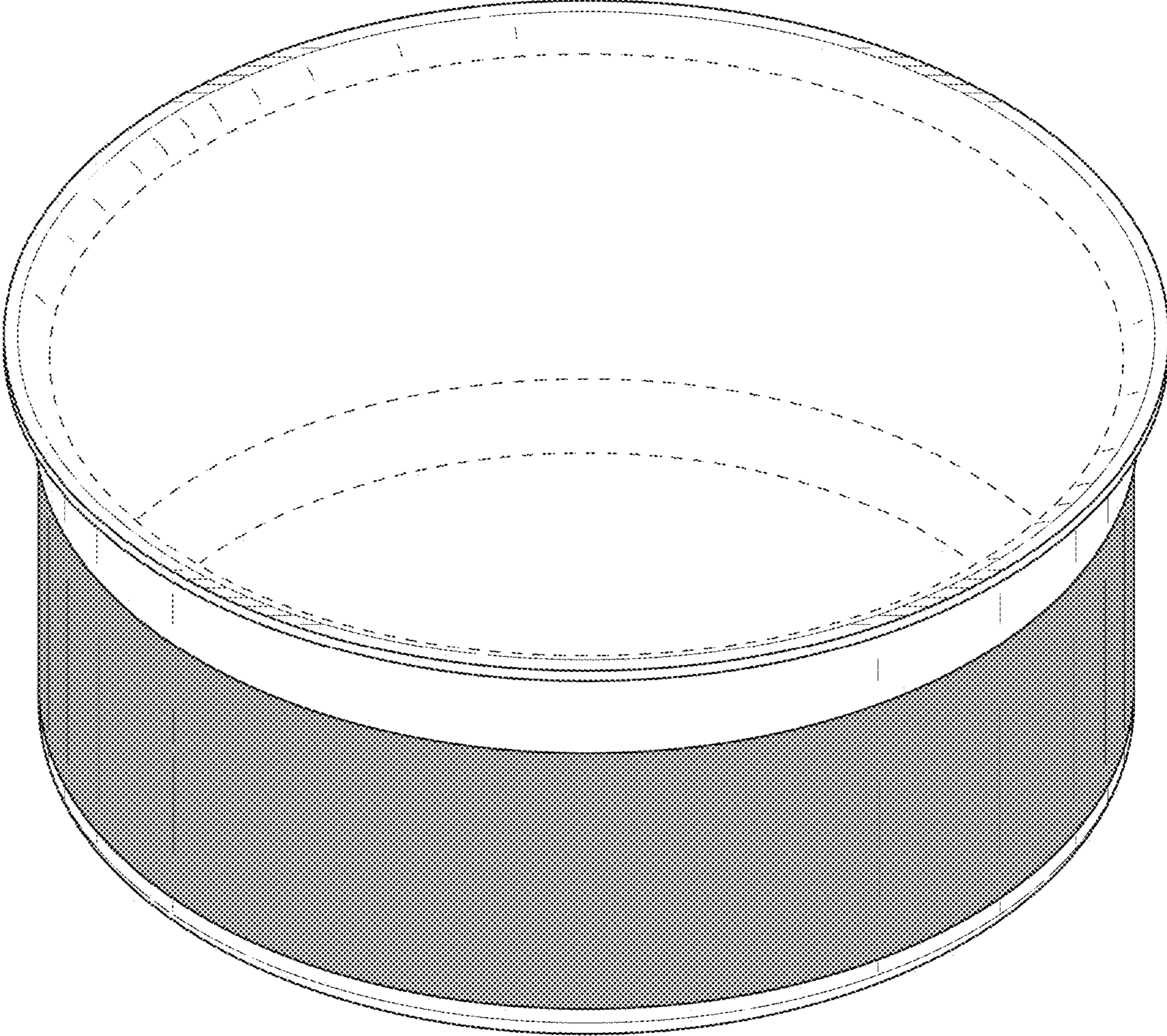


FIG. 3

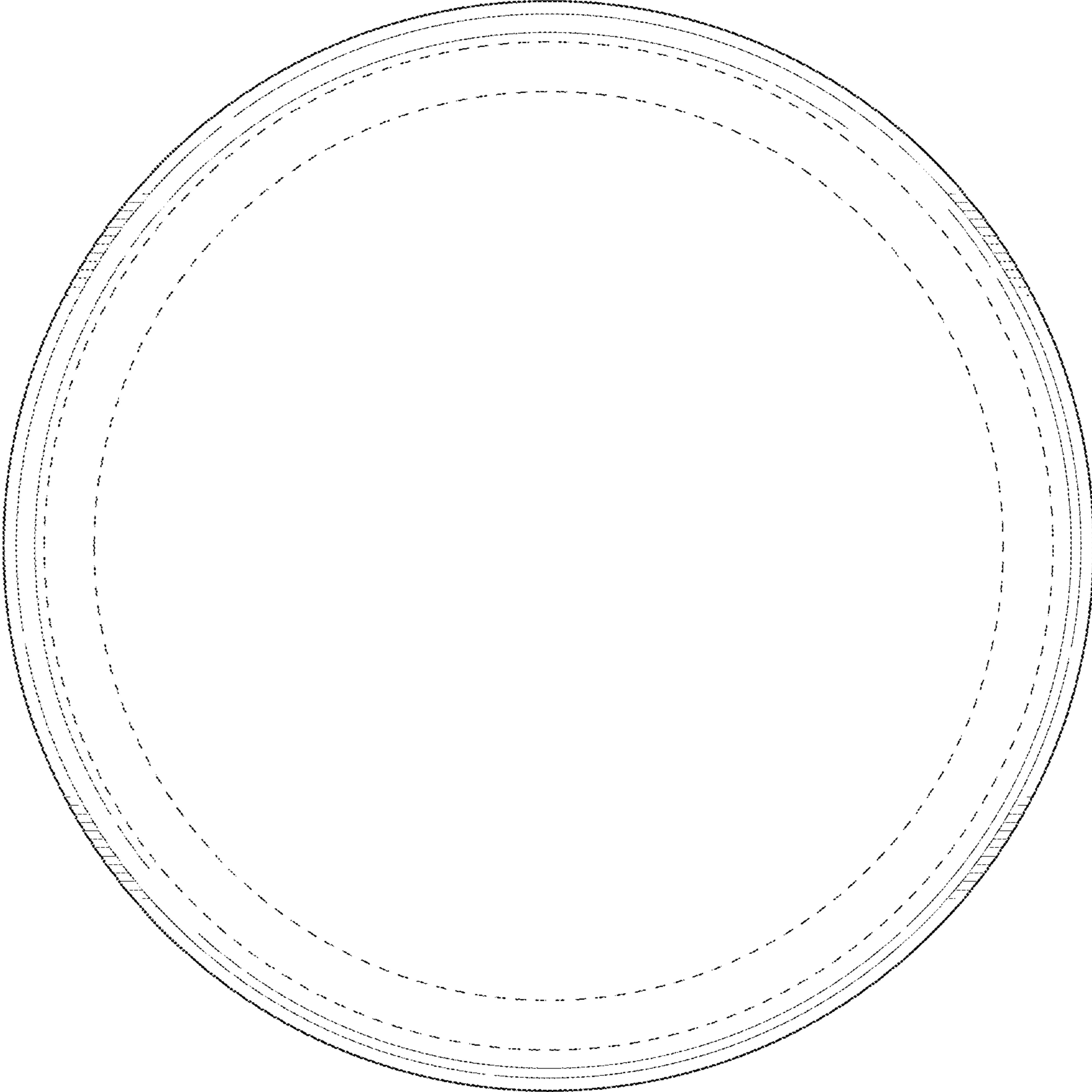


FIG. 4

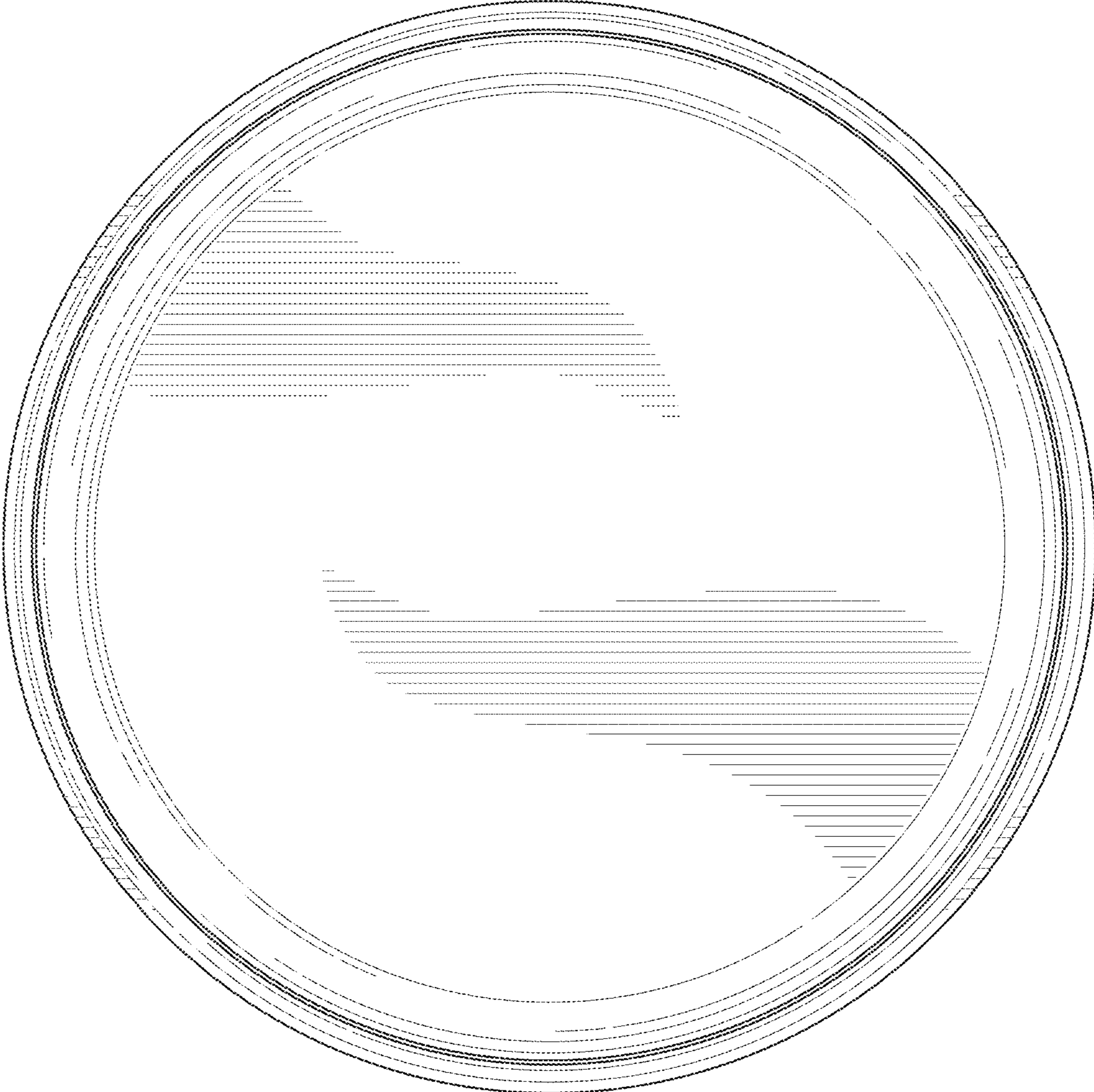


FIG. 5