



US00D916542S

(12) **United States Design Patent**
Lee

(10) **Patent No.:** **US D916,542 S**

(45) **Date of Patent:** **** Apr. 20, 2021**

(54) **COOKING DEVICE**

(71) Applicant: **Tsann Kuen (Zhangzhou) Enterprise Co., Ltd., Zhangzhou (CN)**

(72) Inventor: **Cheng-Shuo Lee, Tainan (TW)**

(73) Assignee: **Tsann Kuen (Zhangzhou) Enterprise Co., Ltd., Zhang Zhou (CN)**

(**) Term: **15 Years**

(21) Appl. No.: **29/701,166**

(22) Filed: **Aug. 8, 2019**

(30) **Foreign Application Priority Data**

Mar. 14, 2019 (CN) 201930103882.8

(51) **LOC (13) Cl.** **07-02**

(52) **U.S. Cl.**
USPC **D7/352**

(58) **Field of Classification Search**
USPC D7/323, 337, 339, 340, 341, 352, 354,
D7/355, 356, 357, 358, 359, 360, 361,
D7/393, 402, 403, 409, 601, 612
CPC A21B 1/06; A21B 1/26; A21B 1/50; A21B
1/52; A47J 37/04; A47J 37/06; A47J
37/015; A47J 37/067; A47J 37/0629;
A47J 37/0676; A47J 37/108; A47J 36/16;
A47J 36/20; A47J 36/22; F24C 7/06;
F24C 15/02; H05B 3/20; H05B 3/40
See application file for complete search history.

(56) **References Cited**

U.S. PATENT DOCUMENTS

D175,547 S * 9/1955 Josephson D7/352
D177,637 S * 5/1956 Moore D7/352
D299,609 S * 1/1989 Madl D7/352
5,845,562 A * 12/1998 Deni A47J 37/0611
99/375

D413,760 S * 9/1999 Tsai D7/352
D466,361 S * 12/2002 Wanat D7/352
D493,663 S * 8/2004 Lin D7/347
D522,802 S * 6/2006 Dreimann D7/352
D578,822 S * 10/2008 Colas D7/337
D790,906 S * 7/2017 Zhu D7/352
D802,985 S * 11/2017 Jozancy D7/352
D839,660 S * 2/2019 Chang D7/378
D853,172 S * 7/2019 De' Longhi D7/352
D859,056 S * 9/2019 Hawkins D7/352

(Continued)

OTHER PUBLICATIONS

10 Best Indoor Grills, According to Kitchen Appliance Experts, announced May 31, 2020 [online], retrieved Jul. 31, 2020, retrieved from internet, <https://www.goodhousekeeping.com/appliances/g27570839/best-indoor-grills/>.*

(Continued)

Primary Examiner — Dana K Weiland
Assistant Examiner — Messina L Smith

(74) *Attorney, Agent, or Firm* — Wang Law Firm, Inc.

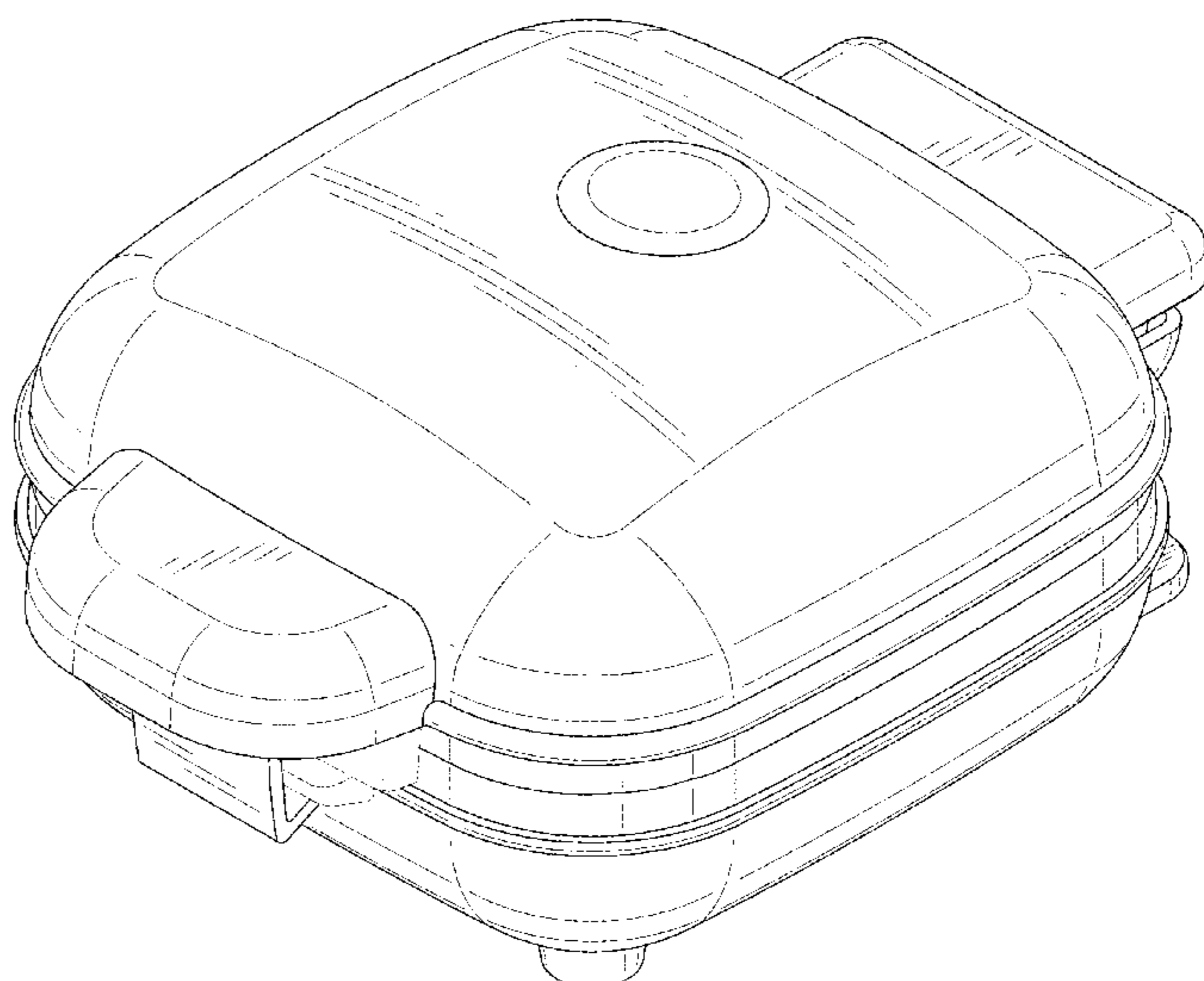
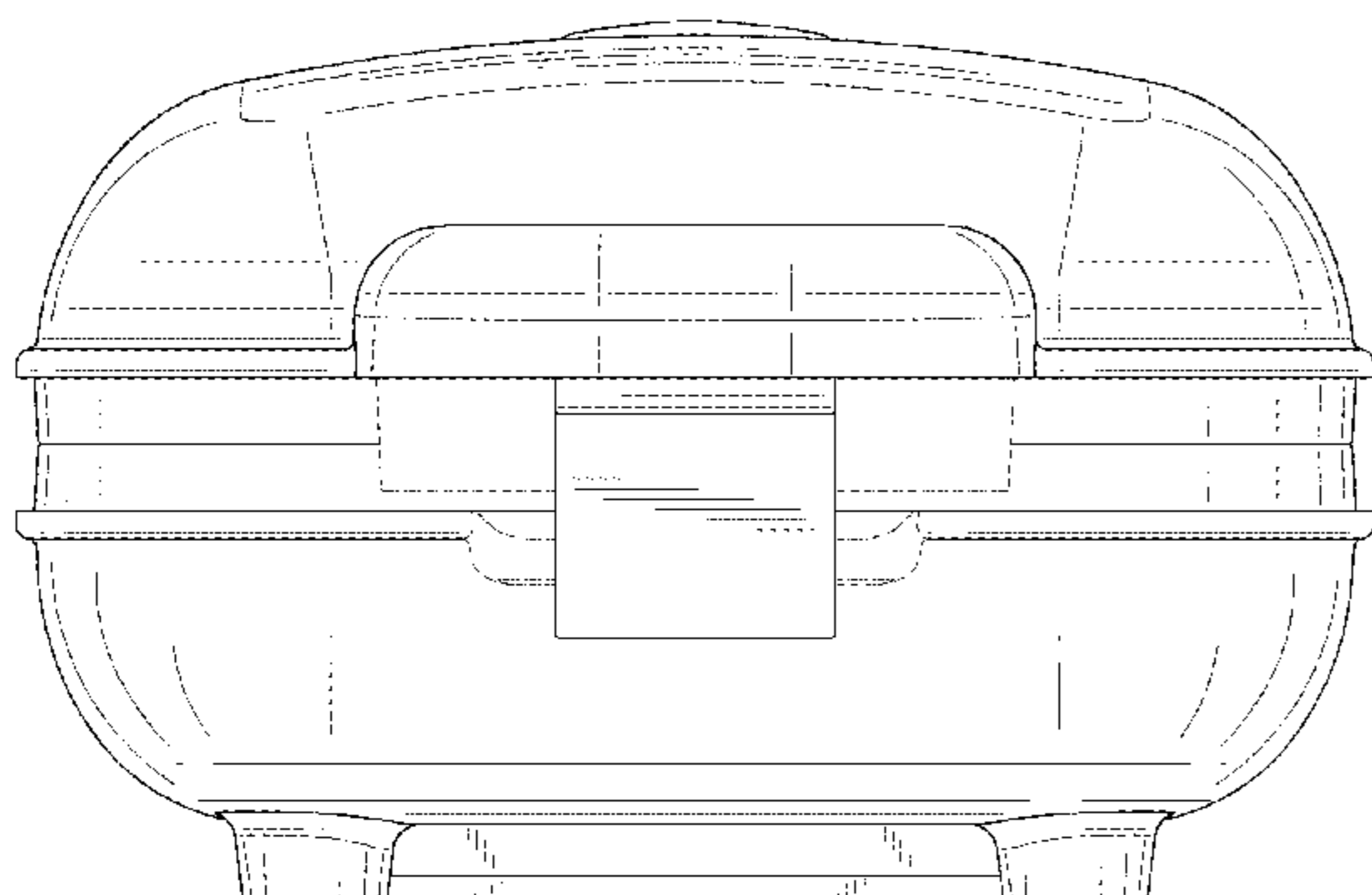
(57) **CLAIM**

The ornamental design for a cooking device, as shown and described.

DESCRIPTION

FIG. 1 is a front view of a cooking device showing my new design;
FIG. 2 is a rear view thereof;
FIG. 3 is a left side view thereof;
FIG. 4 is a right side view thereof;
FIG. 5 is a top plan view thereof;
FIG. 6 is a bottom plan view thereof; and,
FIG. 7 is a perspective view thereof.
The broken line showing of peripheral elements is for the purpose of illustrating portions of the cooking device and forms no part of the claimed design.

1 Claim, 7 Drawing Sheets



(56)

References Cited

U.S. PATENT DOCUMENTS

2006/0049164 A1* 3/2006 Bryan A47J 37/0611
219/386
2010/0037783 A1* 2/2010 Chen A47J 37/0676
99/385
2016/0106253 A1* 4/2016 Klock A47J 29/02
99/380
2017/0013998 A1* 1/2017 McNerney A47J 37/0611
2018/0325312 A1* 11/2018 Moon A47J 37/0611
2019/0274475 A1* 9/2019 Fransen E05D 3/12

OTHER PUBLICATIONS

The 7 Best Sandwich Presses of 2020, announced Mar. 14, 2019
[online], retrieved Jul. 31, 2020, retrieved from internet, [https://
www.thespruceeats.com/best-sandwich-presses-to-buy-4098577](https://www.thespruceeats.com/best-sandwich-presses-to-buy-4098577).*

* cited by examiner

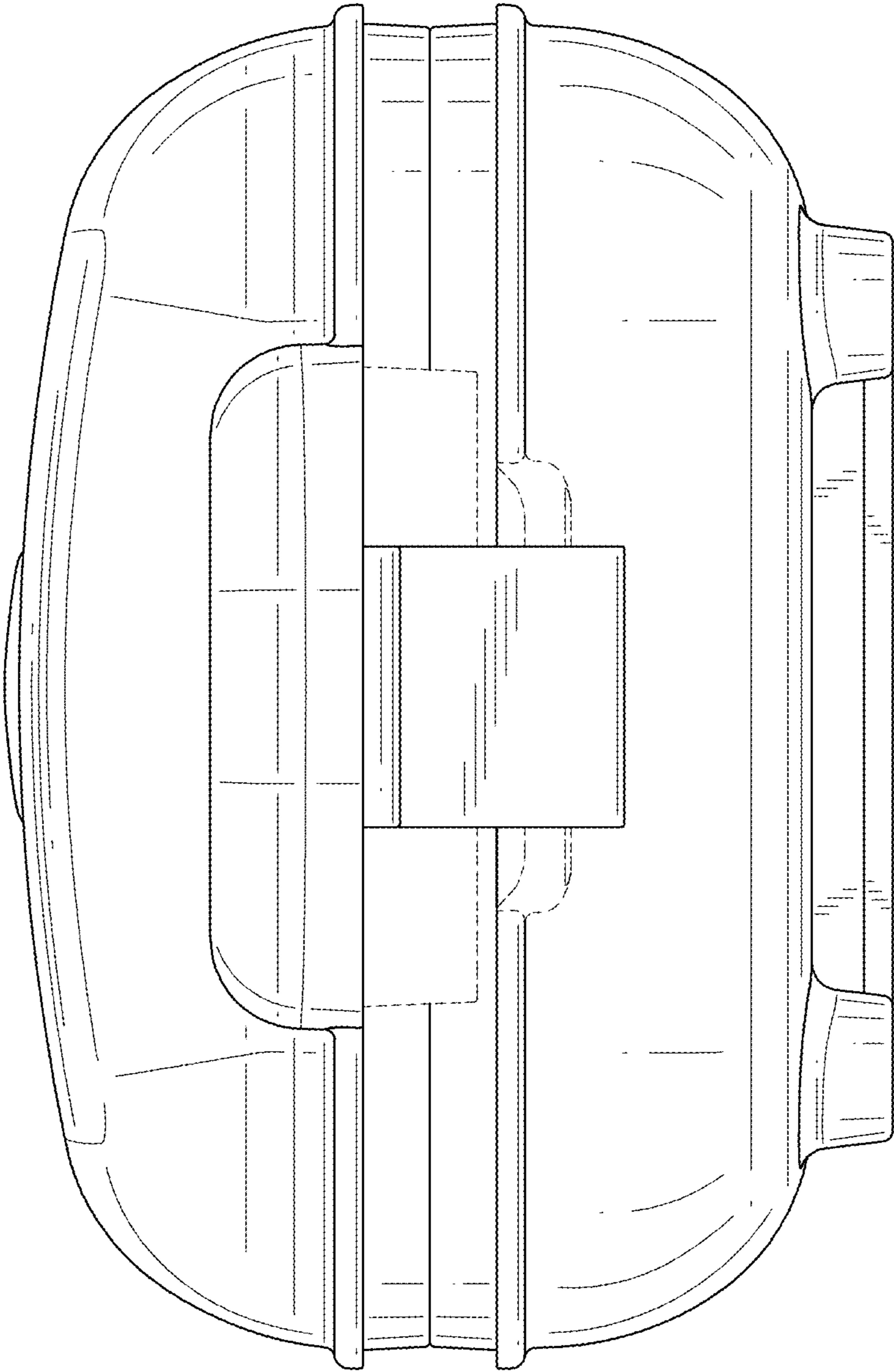


FIG. 1

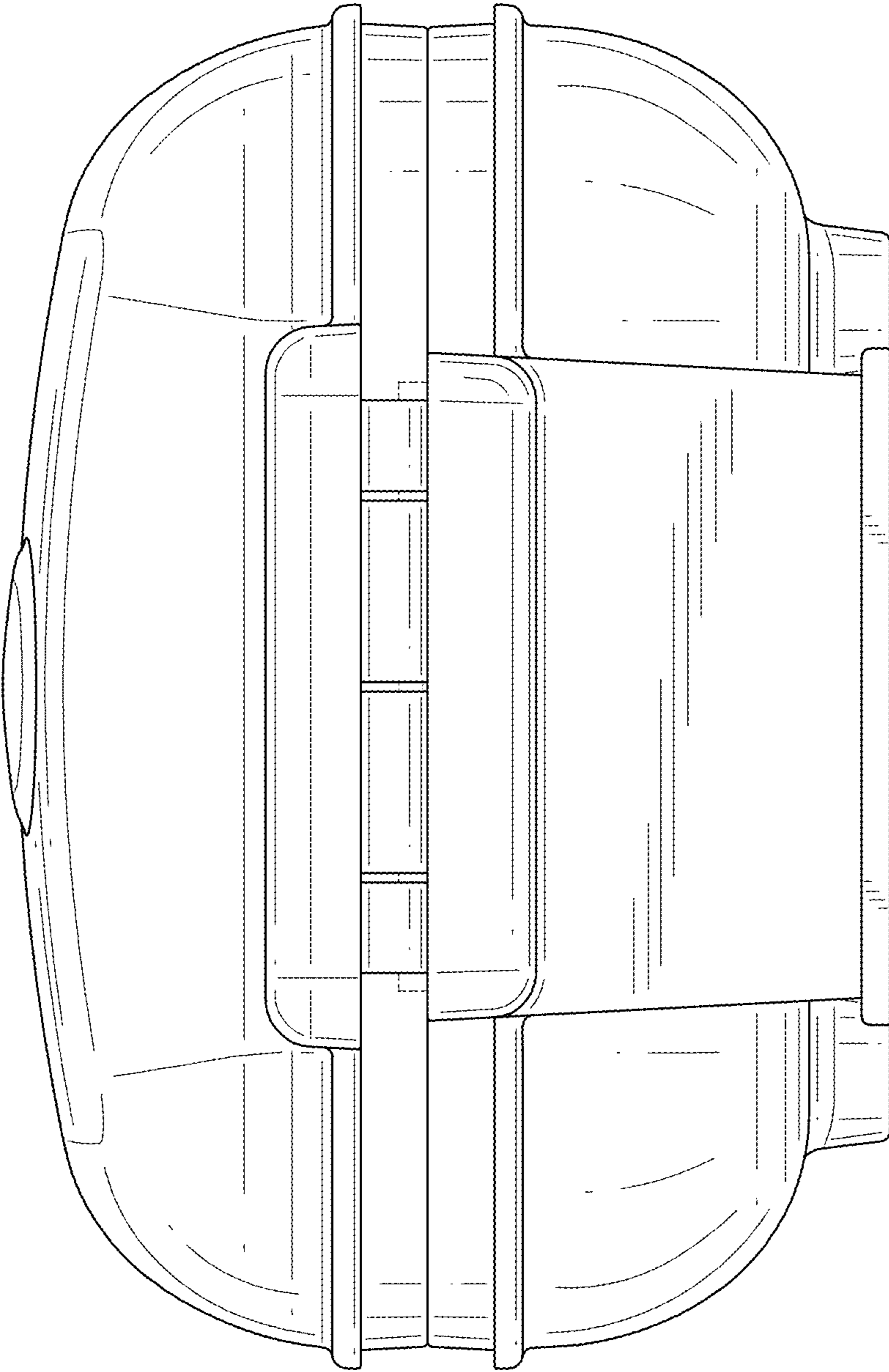


FIG.2

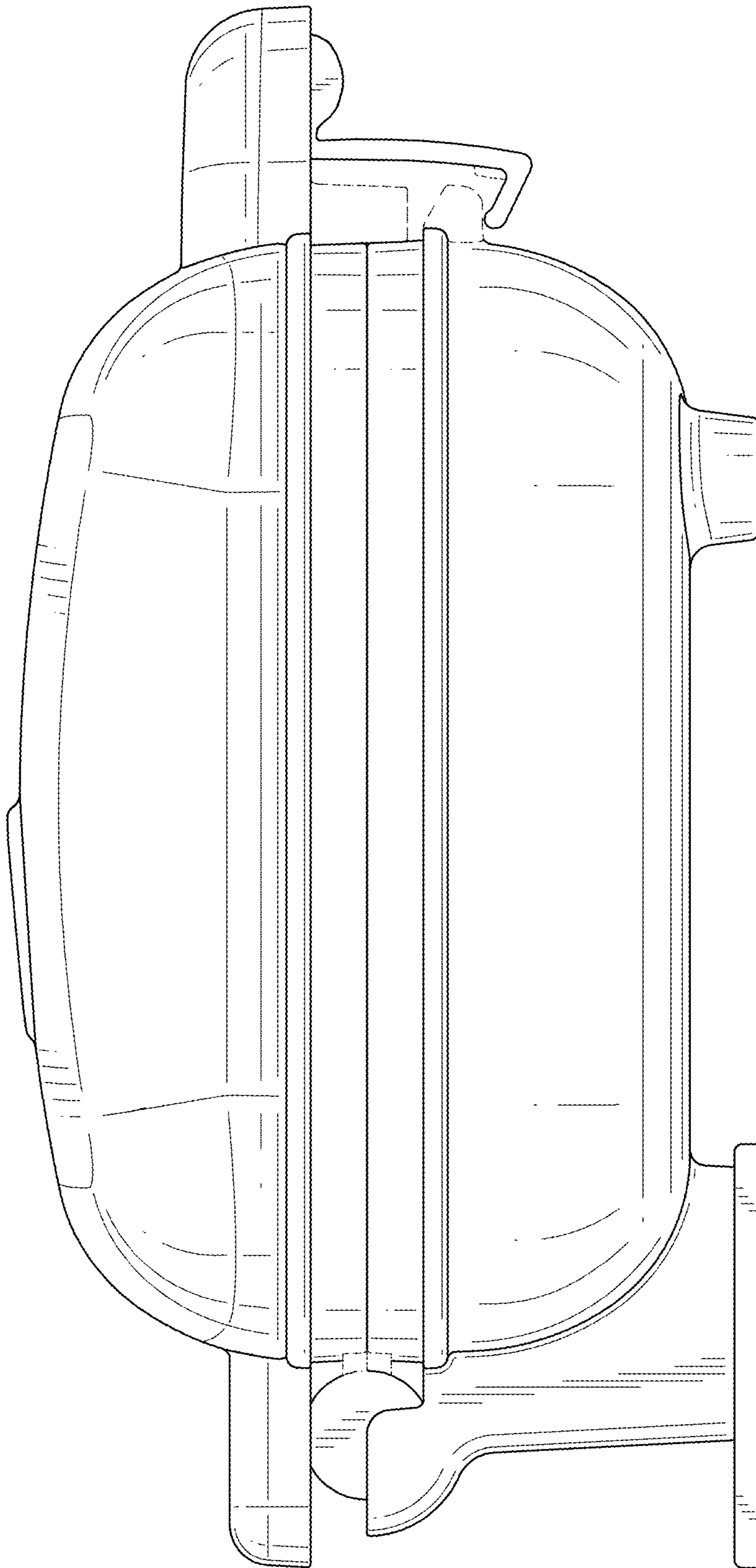


FIG.3

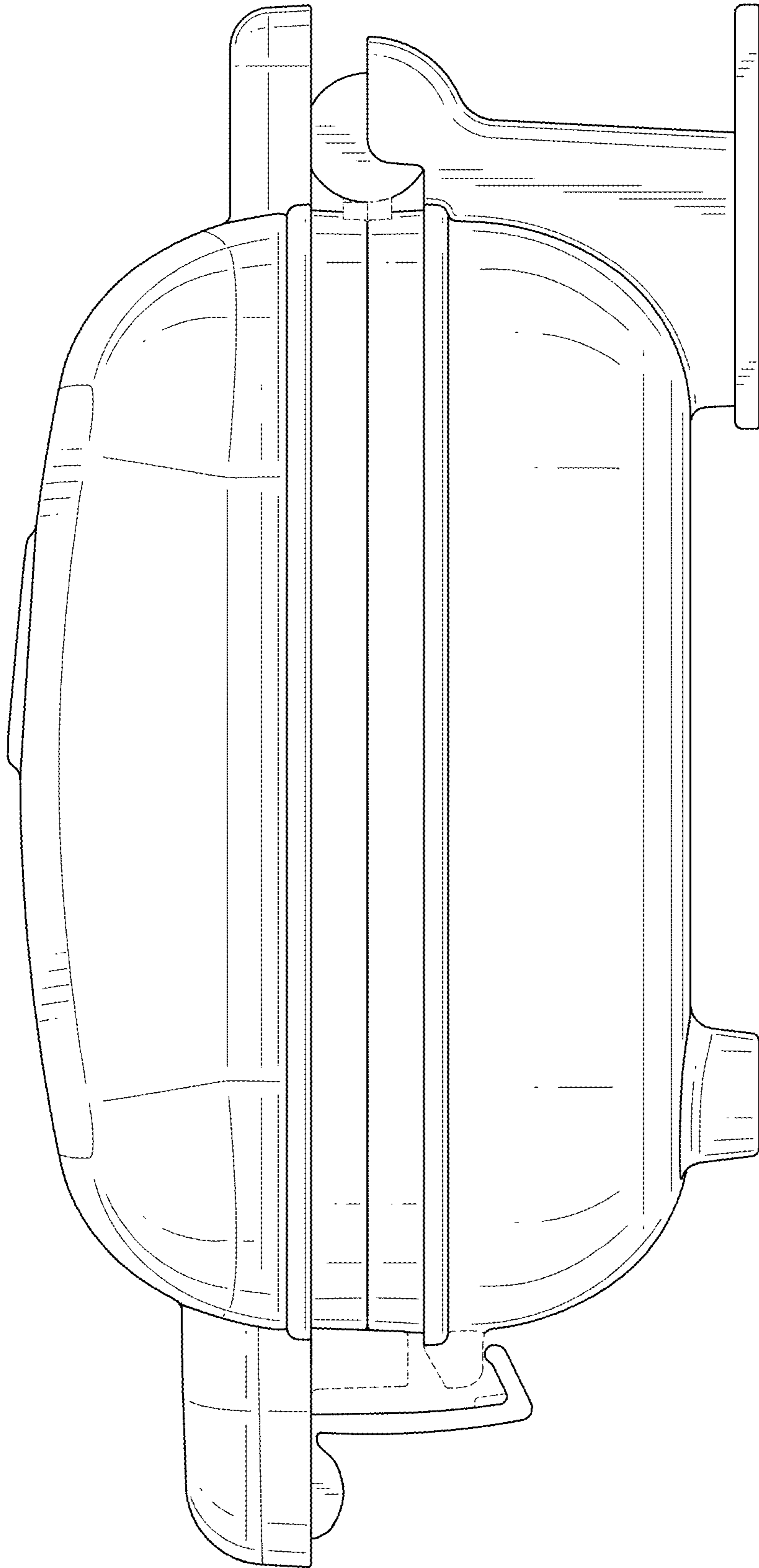


FIG.4

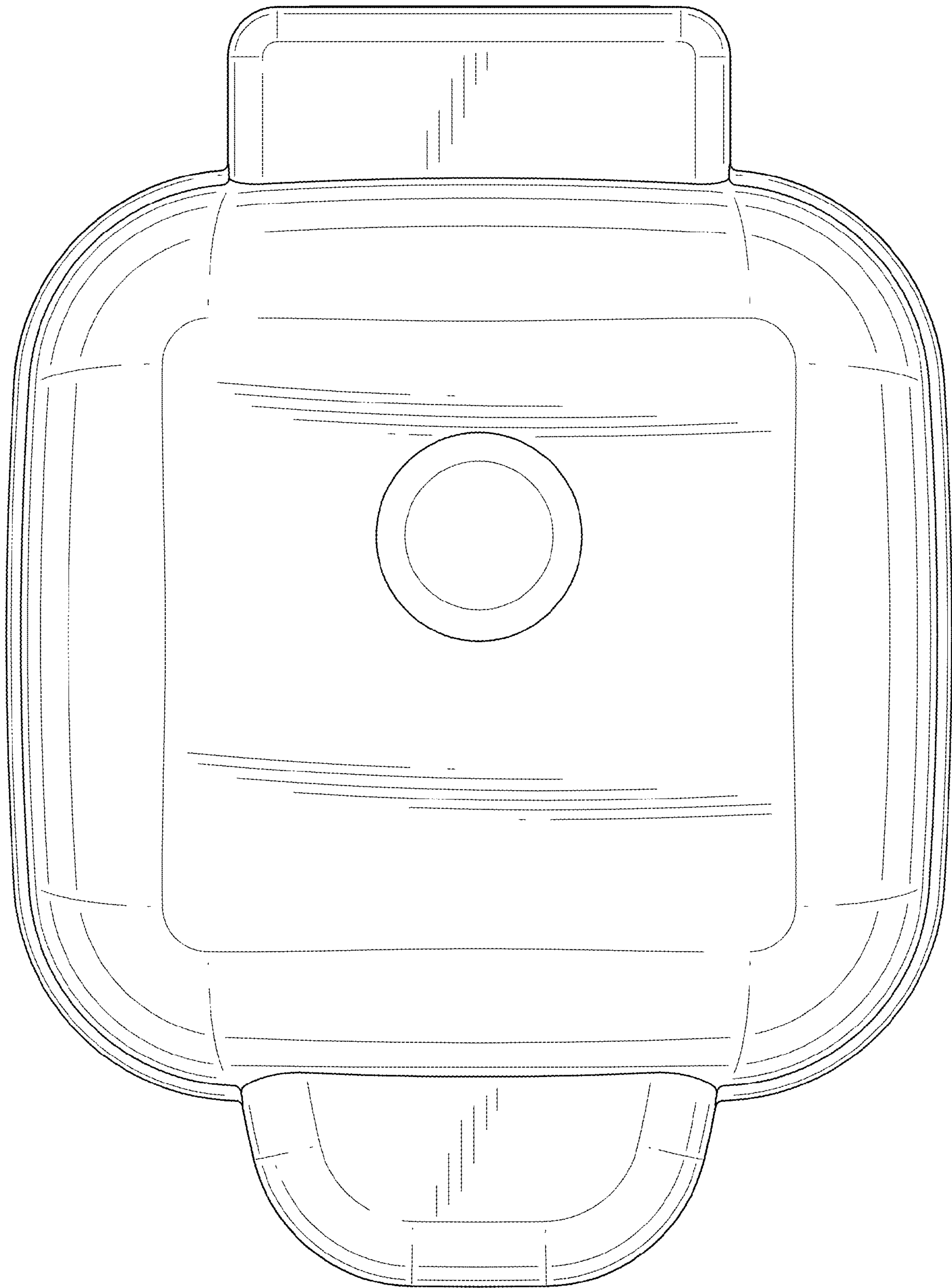


FIG.5

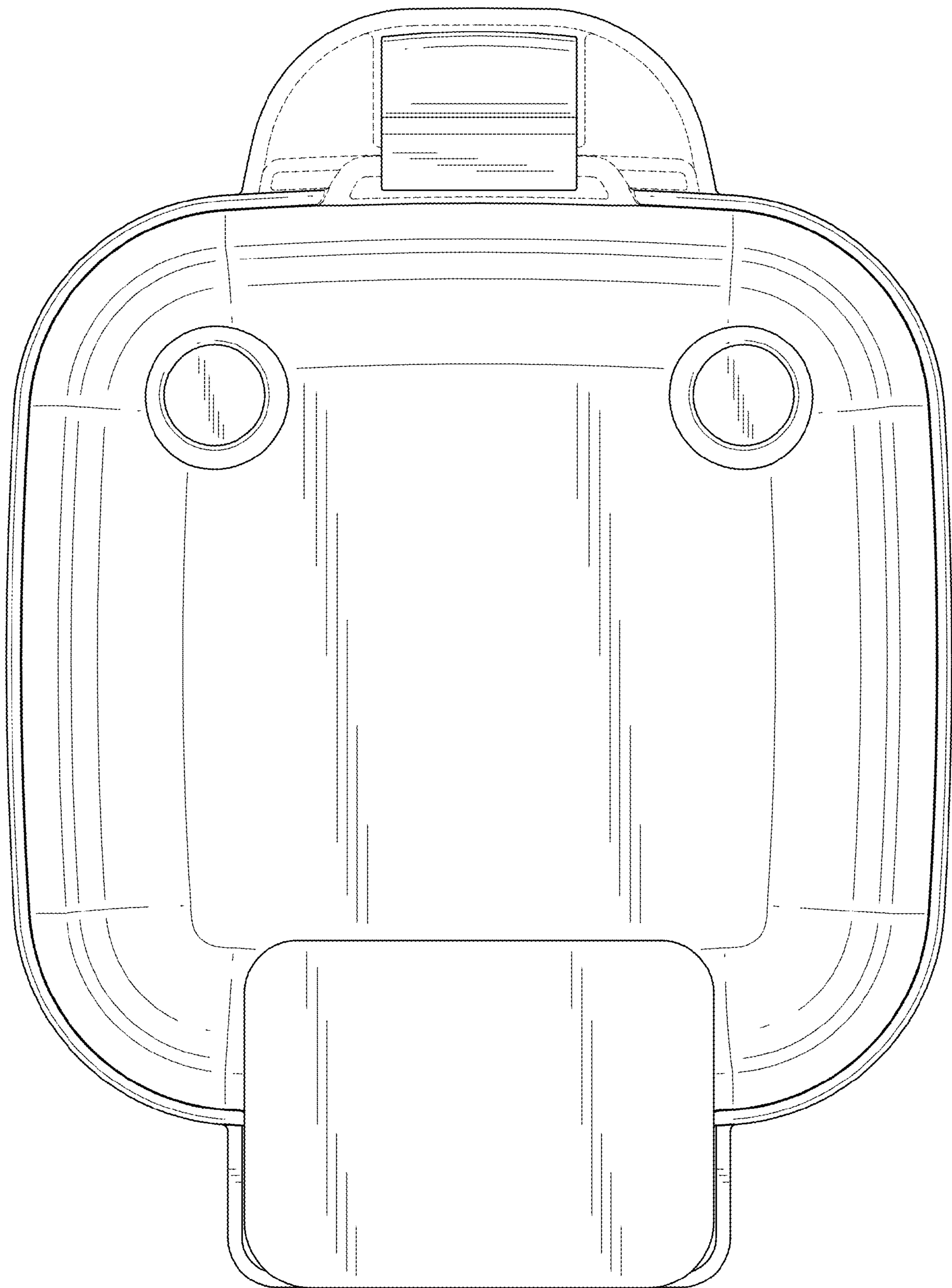


FIG.6

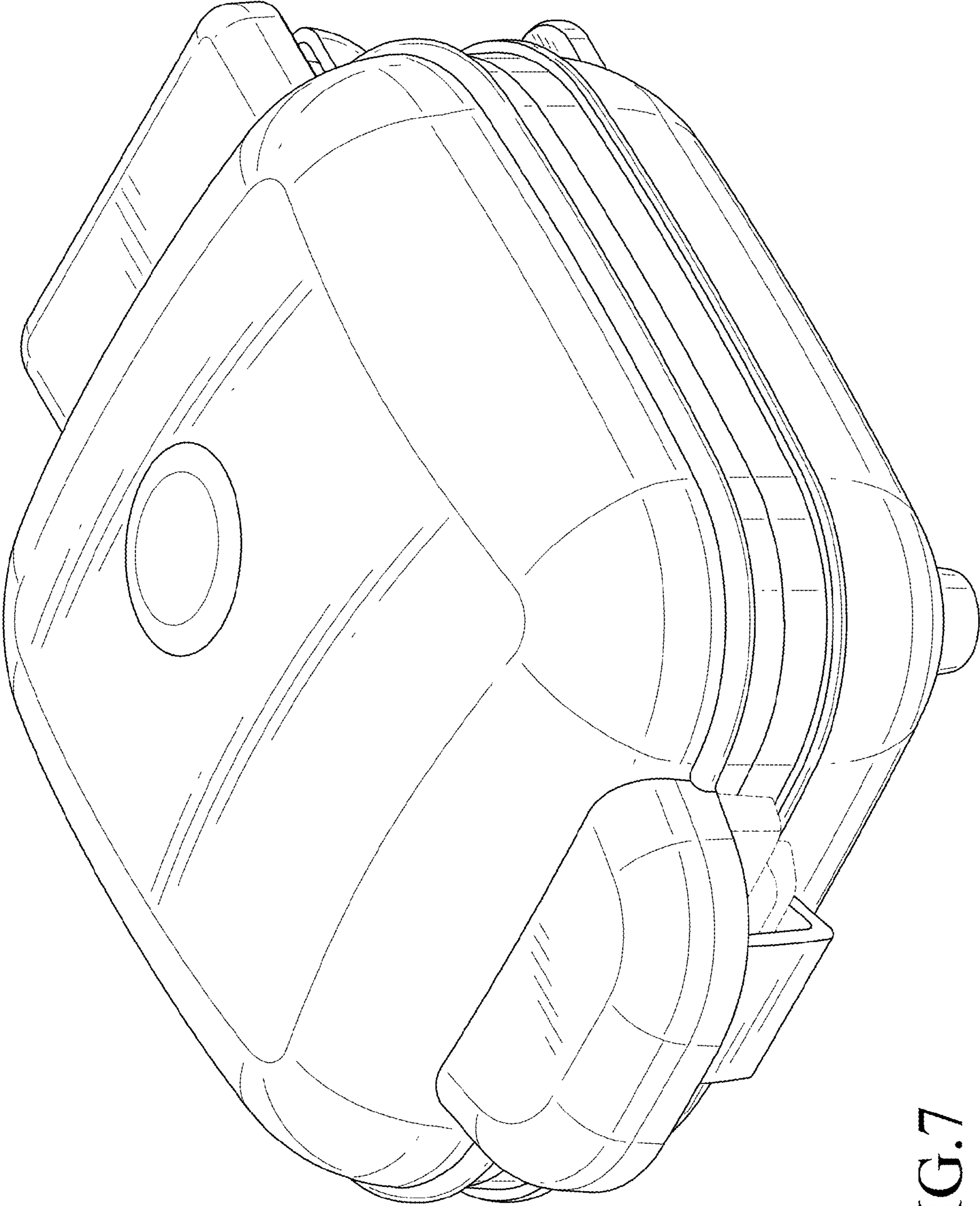


FIG. 7