



US00D916541S

(12) **United States Design Patent** (10) **Patent No.:** **US D916,541 S**  
**Kihara et al.** (45) **Date of Patent:** **\*\* Apr. 20, 2021**

(54) **COFFEE MACHINE**  
(71) Applicant: **TREE FIELD, INC.**, Toyko (JP)  
(72) Inventors: **Kaishun Kihara**, Toyko (JP); **Toshio Saito**, Toyko (JP); **Taisuke Torizu**, Toyko (JP); **Naoyuki Takami**, Toyko (JP); **Takeo Mori**, Toyko (JP)

D505,821 S 6/2005 Liebe et al.  
D513,572 S \* 1/2006 Schaffeld ..... D7/309  
D544,299 S \* 6/2007 Schaffeld ..... D7/397  
D559,611 S \* 1/2008 Cheong ..... D7/306  
7,331,483 B2 \* 2/2008 Bhimani ..... B67D 1/0025  
222/1

(Continued)

**FOREIGN PATENT DOCUMENTS**

(73) Assignee: **TREE FIELD, INC.**, Tokyo (JP)  
(\*\*) Term: **15 Years**

KR 3008523560000 5/2016  
TW D170705 9/2015

**OTHER PUBLICATIONS**

(21) Appl. No.: **29/723,053**  
(22) Filed: **Feb. 4, 2020**

Taiwan Search Report in connection with a Notice of Allowance dated Mar. 11, 2019 in a related Taiwan Application No. 107305040.

**Related U.S. Application Data**

*Primary Examiner* — Richard E Chilcot  
(74) *Attorney, Agent, or Firm* — Thomas | Horstemeyer, LLP

(62) Division of application No. 35/506,449, filed on Aug. 7, 2018 (U.S. filing date under 35 U.S.C. 384), and having an international filing date of Aug. 7, 2018, now Pat. No. Des. 891,165.

(57) **CLAIM**

(51) **LOC (13) Cl.** ..... **07-01**  
(52) **U.S. Cl.**  
USPC ..... **D7/306**; D7/311  
CPC ..... **A47J 31/46** (2013.01)

The ornamental design for a coffee machine, as shown and described.

**DESCRIPTION**

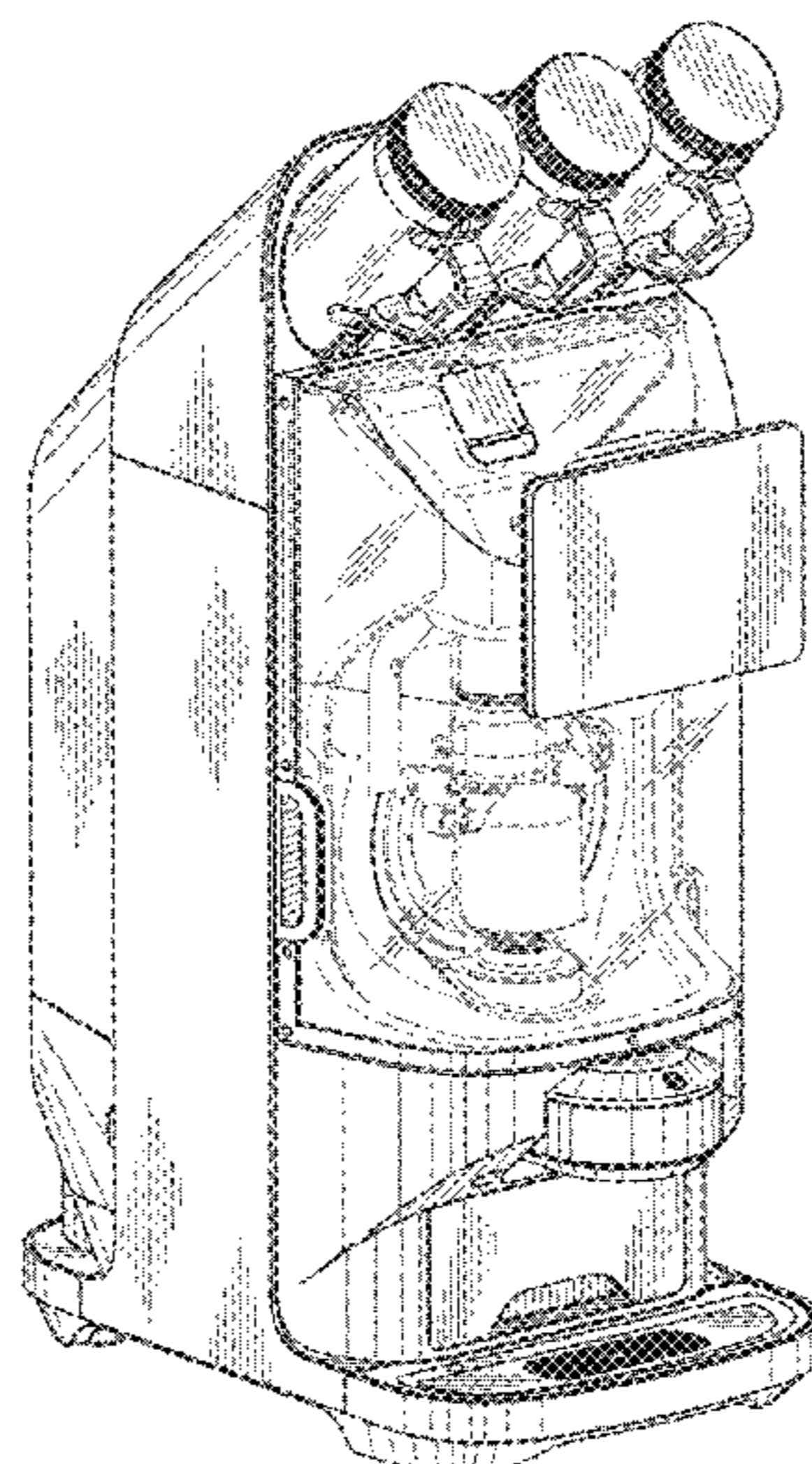
(58) **Field of Classification Search**  
USPC ..... D7/300, 305–311, 355, 362, 365, 367; 222/146.6, 185.1, 135; 99/273, 304, 288, 99/279, 307, 283  
CPC ..... A47J 31/46; A47J 31/407; A47J 31/50; A47J 31/18; A47J 31/00; A47J 27/04; A47J 31/0573; A47J 31/52; A47J 31/0642; A47J 31/3628; A47J 31/4407  
See application file for complete search history.

FIG. 1 is a front view thereof;  
FIG. 2 is a back view thereof;  
FIG. 3 is a top view thereof;  
FIG. 4 is a bottom view thereof;  
FIG. 5 is a right view thereof;  
FIG. 6 is a left view thereof;  
FIG. 7 is a perspective view of a coffee machine, showing our new design; and,  
FIG. 8 is a perspective view of a coffee machine, showing our new design.  
The parallel thin lines and the radial thin lines in the representation represent contours only and do not illustrate an ornamentation or decoration on the surface of the product; the front cover and each cylindrical section of the three canisters are transparent.

(56) **References Cited**  
U.S. PATENT DOCUMENTS

D408,679 S \* 4/1999 Potts ..... D7/306  
D461,358 S \* 8/2002 Cahen ..... D7/309  
D462,865 S \* 9/2002 Honan ..... D7/309  
D489,215 S \* 5/2004 Honan ..... D7/309

**1 Claim, 8 Drawing Sheets**



(56)

**References Cited**

## U.S. PATENT DOCUMENTS

D570,637 S \* 6/2008 Glucksman ..... D7/306  
7,398,726 B2 \* 7/2008 Streeter ..... A47J 31/32  
99/280  
D582,714 S \* 12/2008 Hensel ..... D7/309  
D597,366 S \* 8/2009 Drake ..... D7/306  
D604,985 S \* 12/2009 Taylor ..... D7/309  
D607,258 S \* 1/2010 De Pra' ..... D7/309  
D607,259 S \* 1/2010 De Pra' ..... D7/309  
D622,999 S \* 9/2010 Murauyou ..... D7/309  
D626,368 S \* 11/2010 De Pra' ..... D7/309  
D630,881 S \* 1/2011 Rezzonico ..... D7/309  
D634,963 S \* 3/2011 Romandy ..... D7/306  
D663,158 S \* 7/2012 Jacquet ..... D7/393  
D667,674 S \* 9/2012 Wilder ..... D7/306  
D702,984 S \* 4/2014 Hanneson ..... D7/306  
D719,404 S \* 12/2014 Manly ..... D7/399  
D720,180 S \* 12/2014 Manly ..... D7/397  
D721,247 S \* 1/2015 Manly ..... D7/397  
D722,463 S \* 2/2015 Manly ..... D7/306  
D723,317 S \* 3/2015 Manly ..... D7/306  
D763,030 S \* 8/2016 Priley ..... D7/306  
D807,675 S 1/2018 De Longhi et al.  
D812,971 S \* 3/2018 Moon ..... D7/397  
D830,755 S \* 10/2018 Fletcher ..... D7/306

\* cited by examiner



FIG. 1

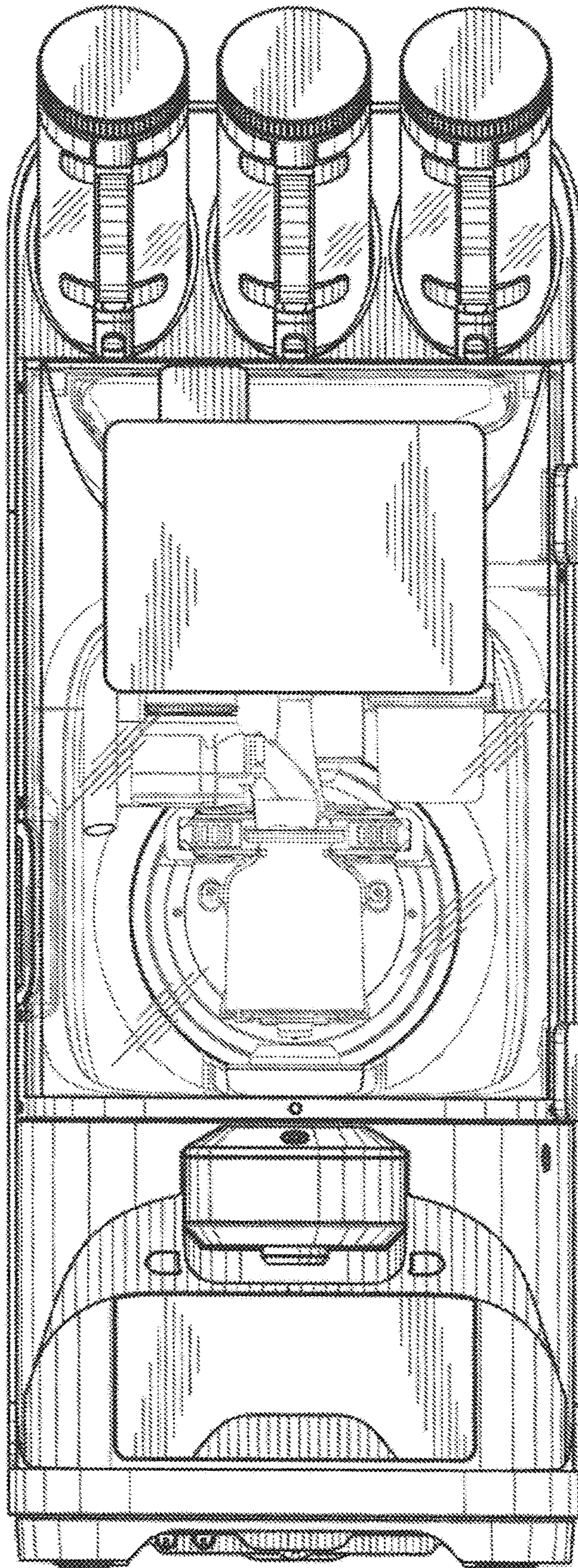




FIG. 2

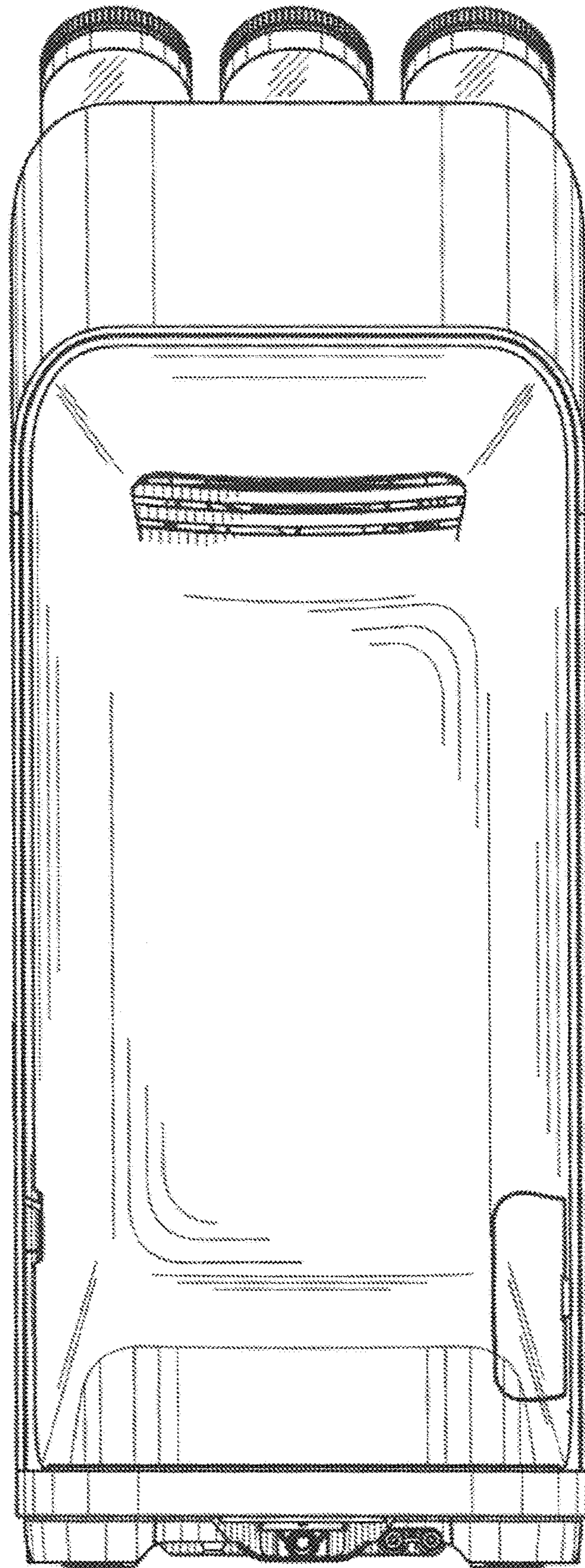


FIG.3

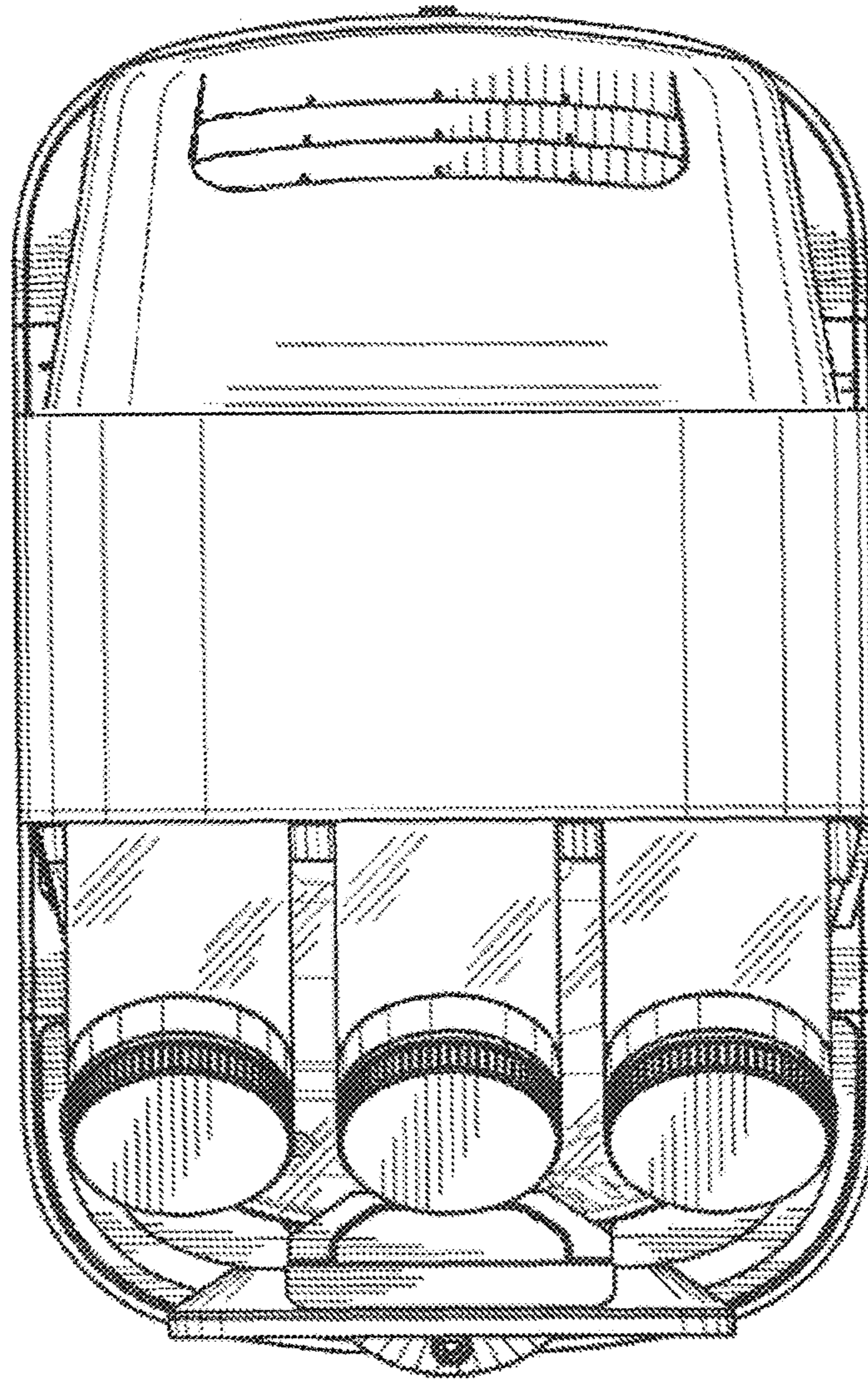




FIG. 4

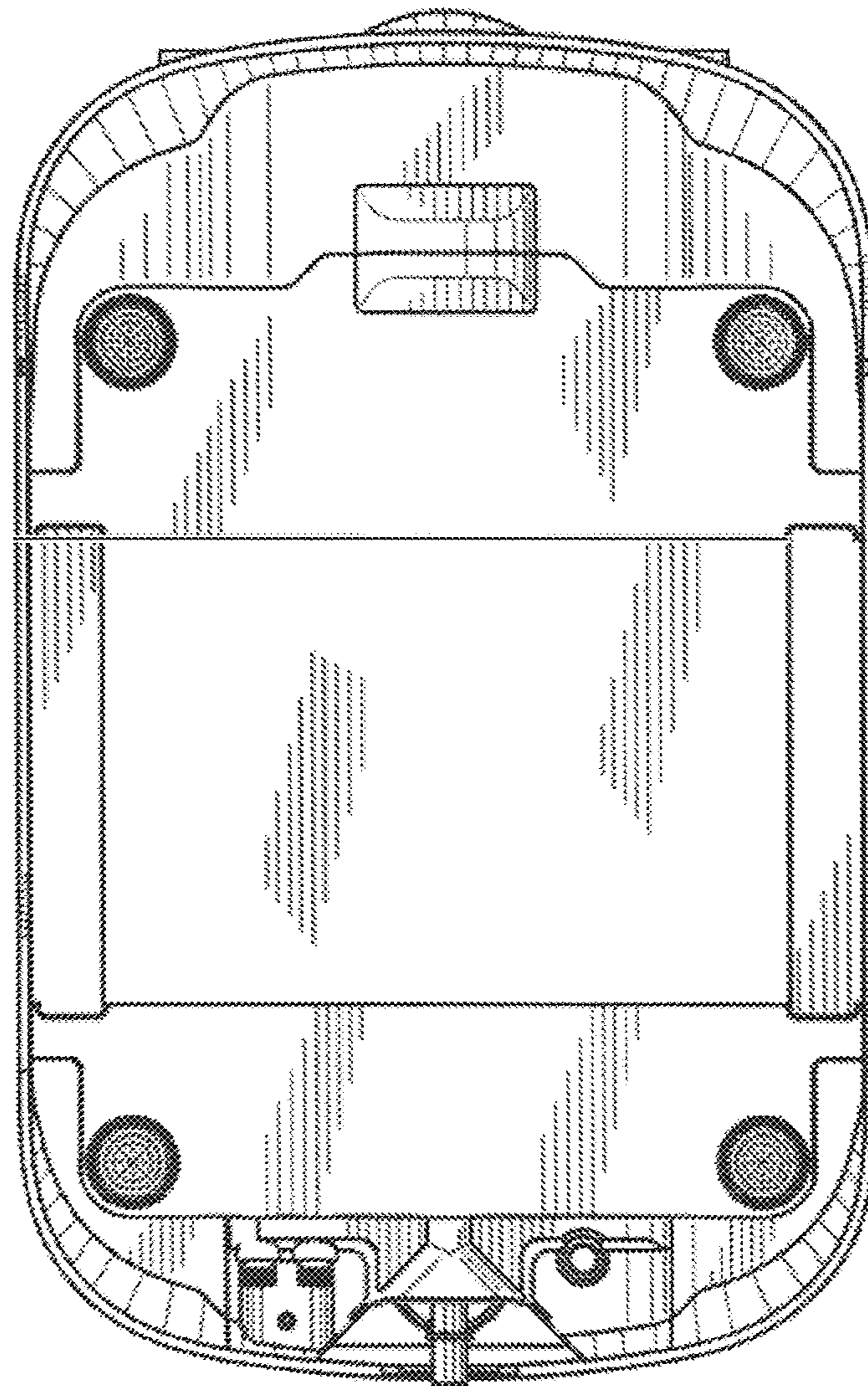


FIG. 5

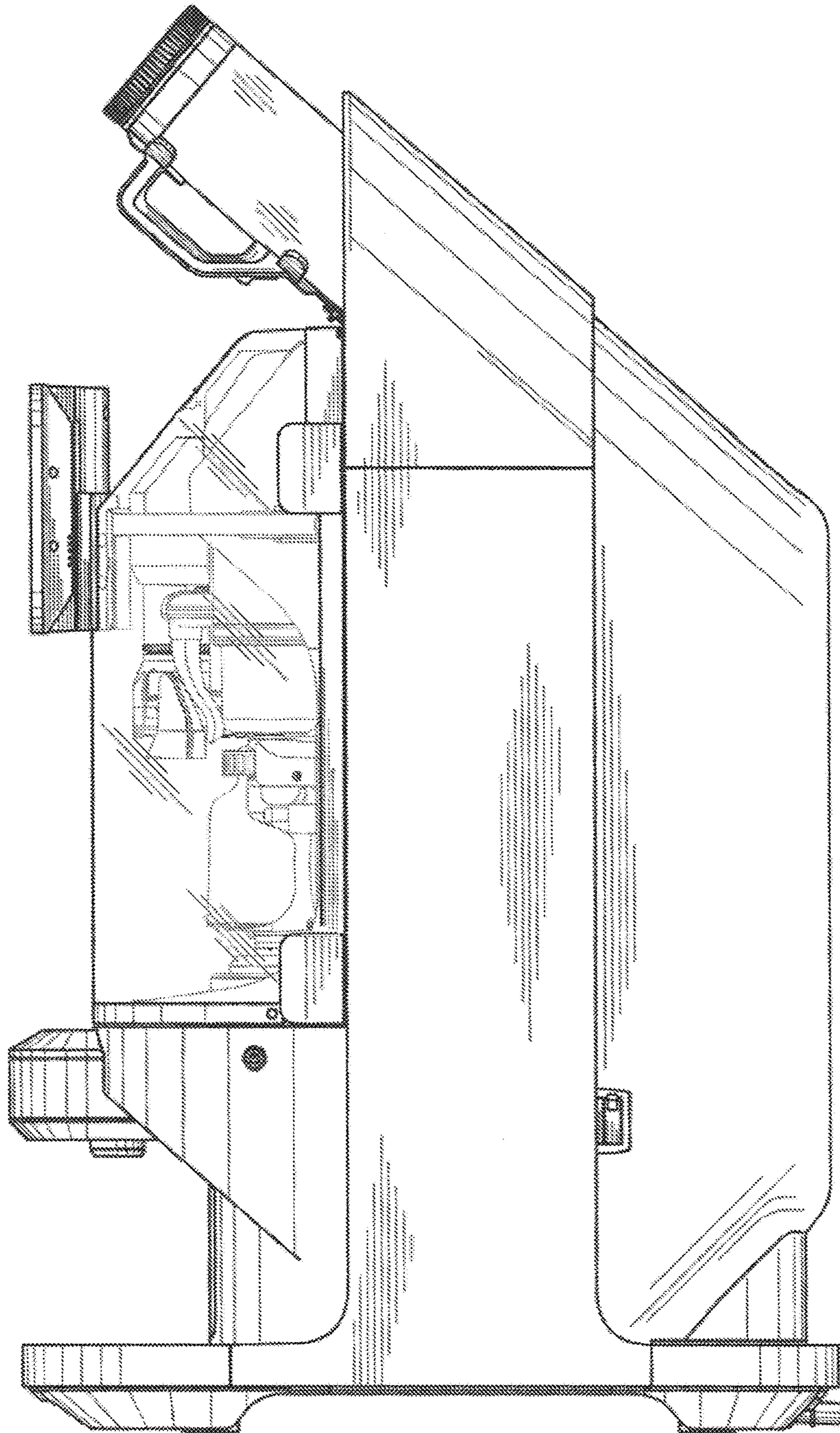




FIG.6

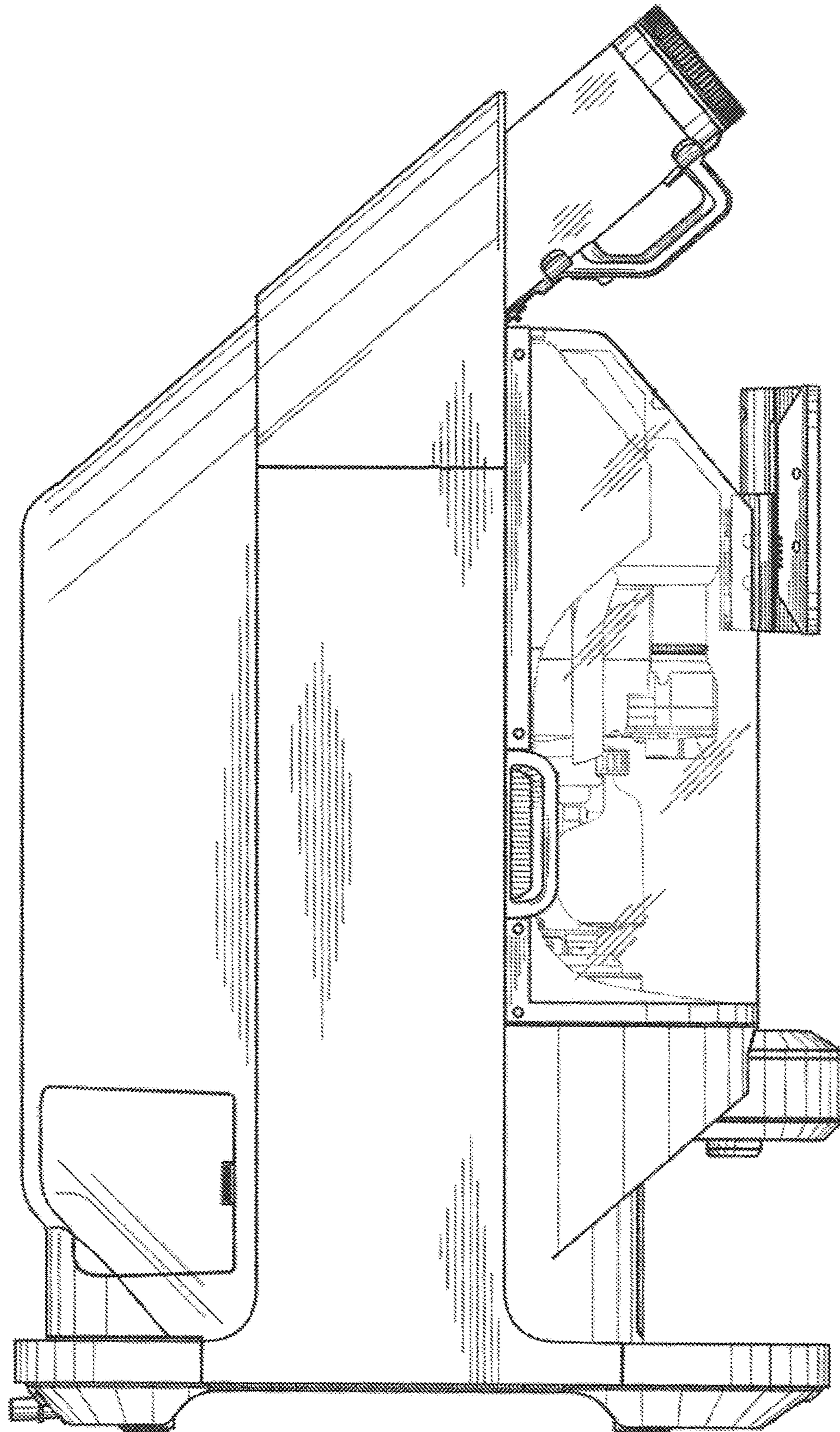




FIG. 7

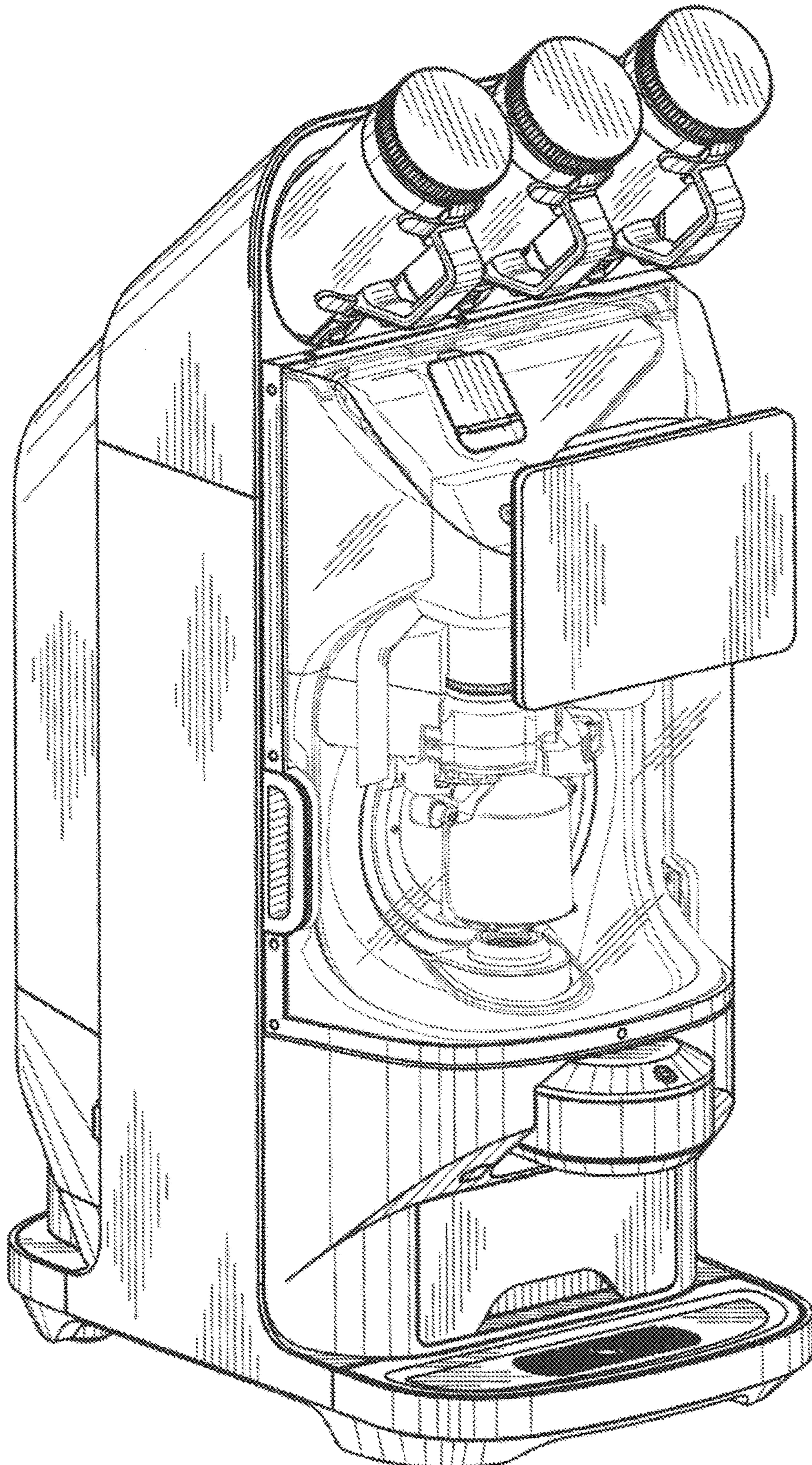




FIG. 8

