



US00D916540S

(12) **United States Design Patent**
Konishi et al.

(10) **Patent No.:** **US D916,540 S**

(45) **Date of Patent:** **** Apr. 20, 2021**

(54) **CHAIR**

(71) Applicant: **ITOKI CORPORATION**, Osaka (JP)

(72) Inventors: **Yoshihisa Konishi**, Osaka (JP); **Koki Sato**, Osaka (JP)

(73) Assignee: **ITOKI CORPORATION**, Osaka (JP)

(**) Term: **15 Years**

(21) Appl. No.: **29/705,439**

(22) Filed: **Sep. 12, 2019**

(51) **LOC (13) Cl.** **06-01**

(52) **U.S. Cl.**
USPC **D6/716; D6/366; D6/380**

(58) **Field of Classification Search**
USPC D6/334-336, 360, 364, 365, 366, 367,
D6/372, 373, 374, 375, 380, 716, 716.1,
D6/716.2, 716.4, 708.23, 708.24
CPC .. A47C 3/12; A47C 3/18; A47C 4/028; A47C
7/004; A47C 7/006; A47C 7/18; A47C
7/24; A47C 7/40; A47C 7/54; A47C 5/12;
A47C 7/16; A47C 3/20; A47C 3/24
See application file for complete search history.

(56) **References Cited**

U.S. PATENT DOCUMENTS

D205,939 S * 10/1966 Laverne et al. D6/375
D609,037 S * 2/2010 Miller D6/716
D686,831 S * 7/2013 Lemson D6/375

D730,097 S * 5/2015 Kubryk D6/716
D798,068 S * 9/2017 Iqbal D6/373
D798,617 S * 10/2017 Iqbal D6/334
D825,216 S * 8/2018 Schaeffer D6/375
D836,360 S * 12/2018 Novak D6/375
D850,138 S * 6/2019 Taraba D6/380
D869,188 S * 12/2019 Parker D6/375
D875,416 S * 2/2020 Fukasawa D6/380
D875,417 S * 2/2020 Fukasawa D6/380

* cited by examiner

Primary Examiner — Mimoso De

(74) *Attorney, Agent, or Firm* — Faegre Drinker Biddle & Reath LLP

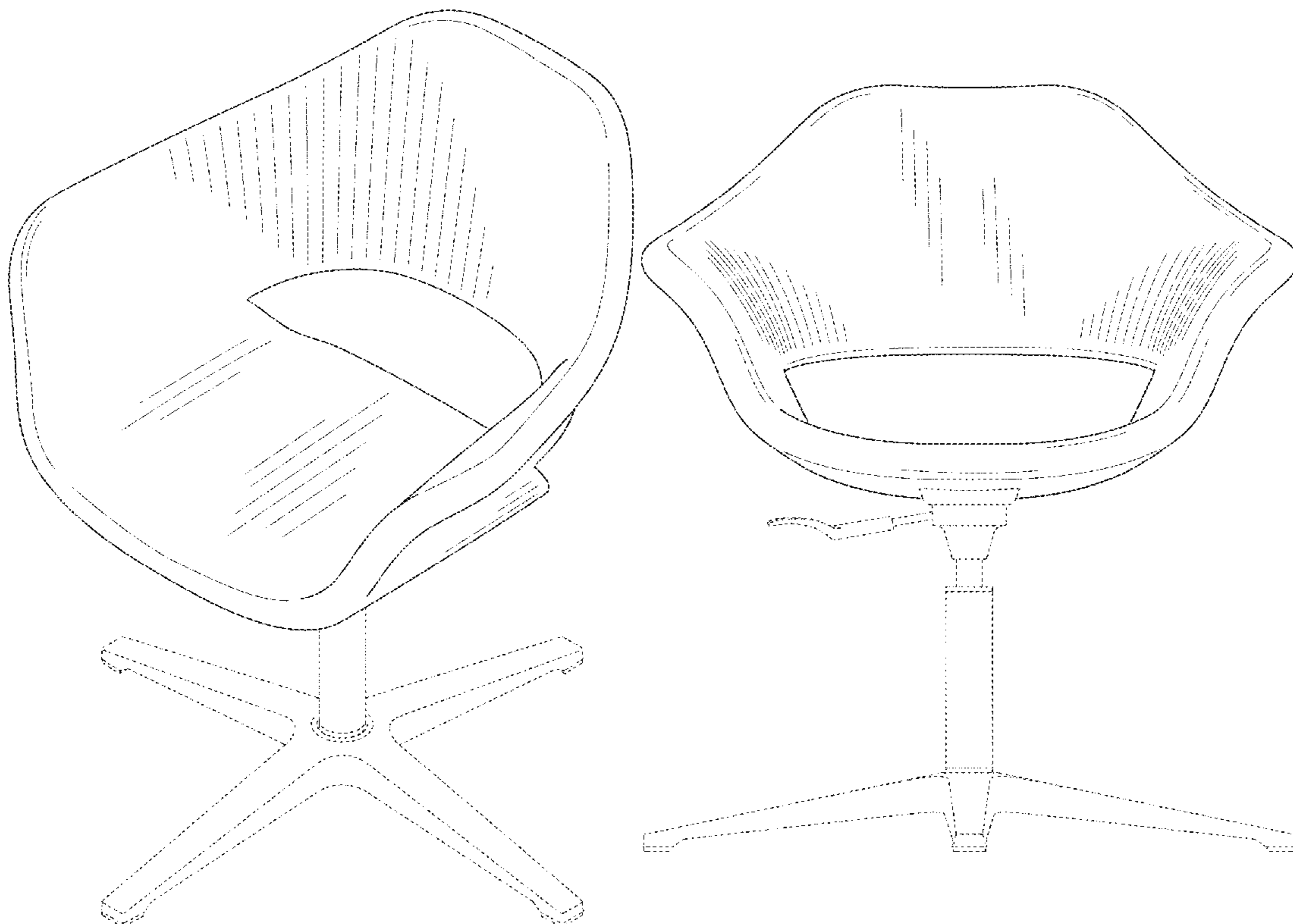
(57) **CLAIM**

The ornamental design for a chair, as shown and described.

DESCRIPTION

FIG. 1 is a perspective view of the top, front and right side of a chair showing our new design;
FIG. 2 is a perspective view of the bottom, rear and left side of the chair showing our new design;
FIG. 3 is a front view thereof;
FIG. 4 is a rear side view thereof;
FIG. 5 is a left side view thereof;
FIG. 6 is a right side view thereof;
FIG. 7 is a top plan view thereof; and,
FIG. 8 is a bottom view thereof.
The broken lines are used to illustrate portions of the chair that form no part of the claimed design.

1 Claim, 8 Drawing Sheets



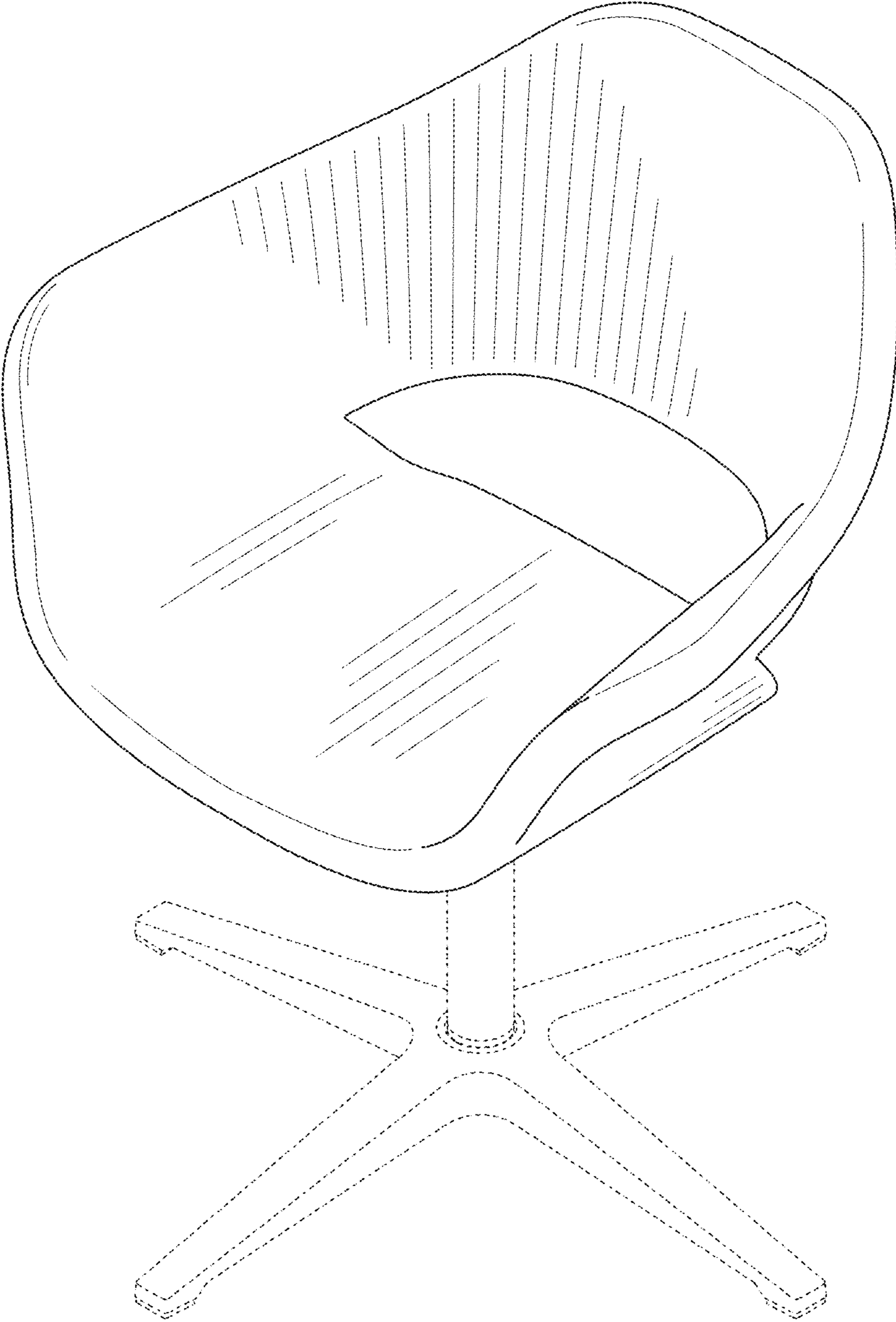


FIG. 1

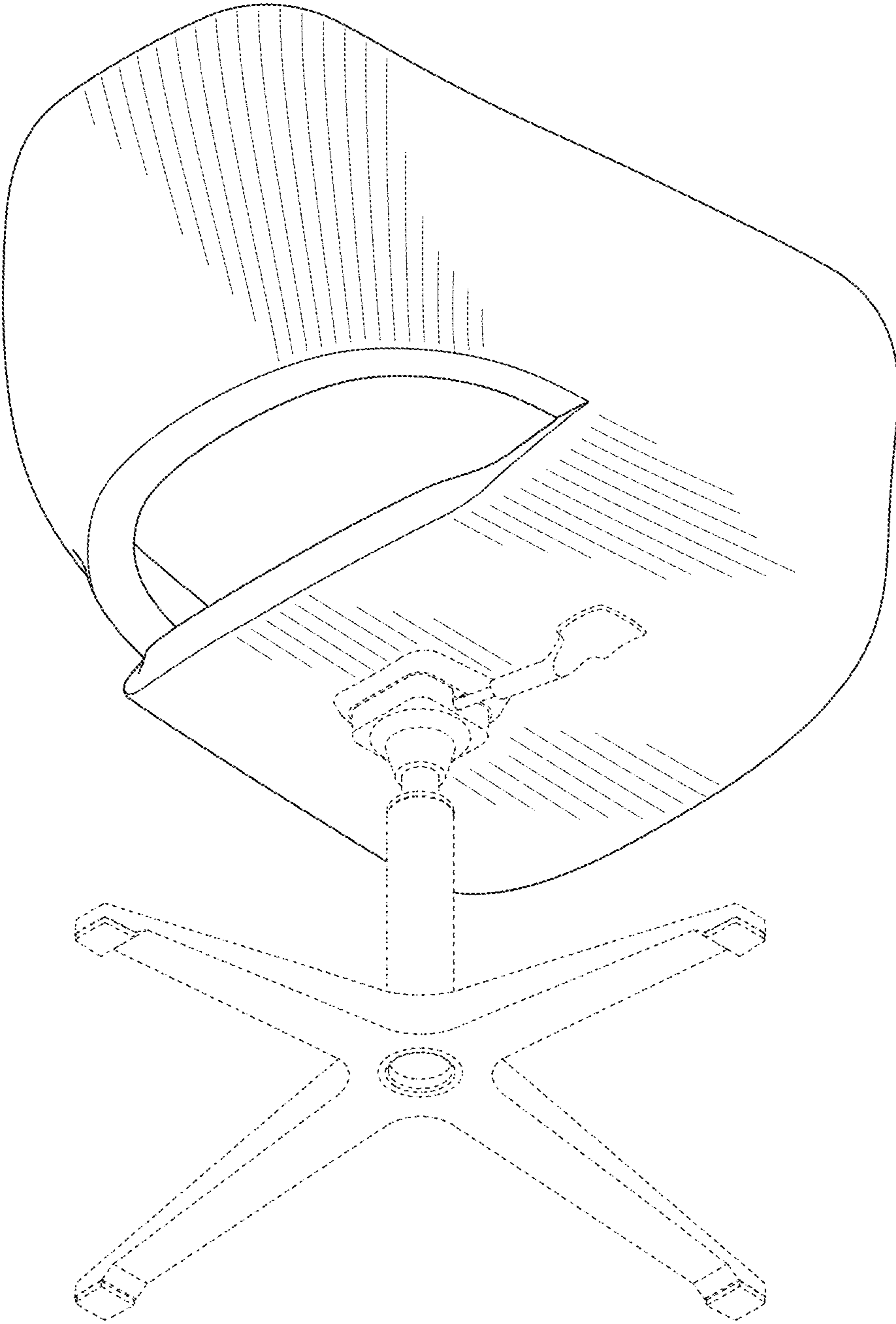


FIG. 2

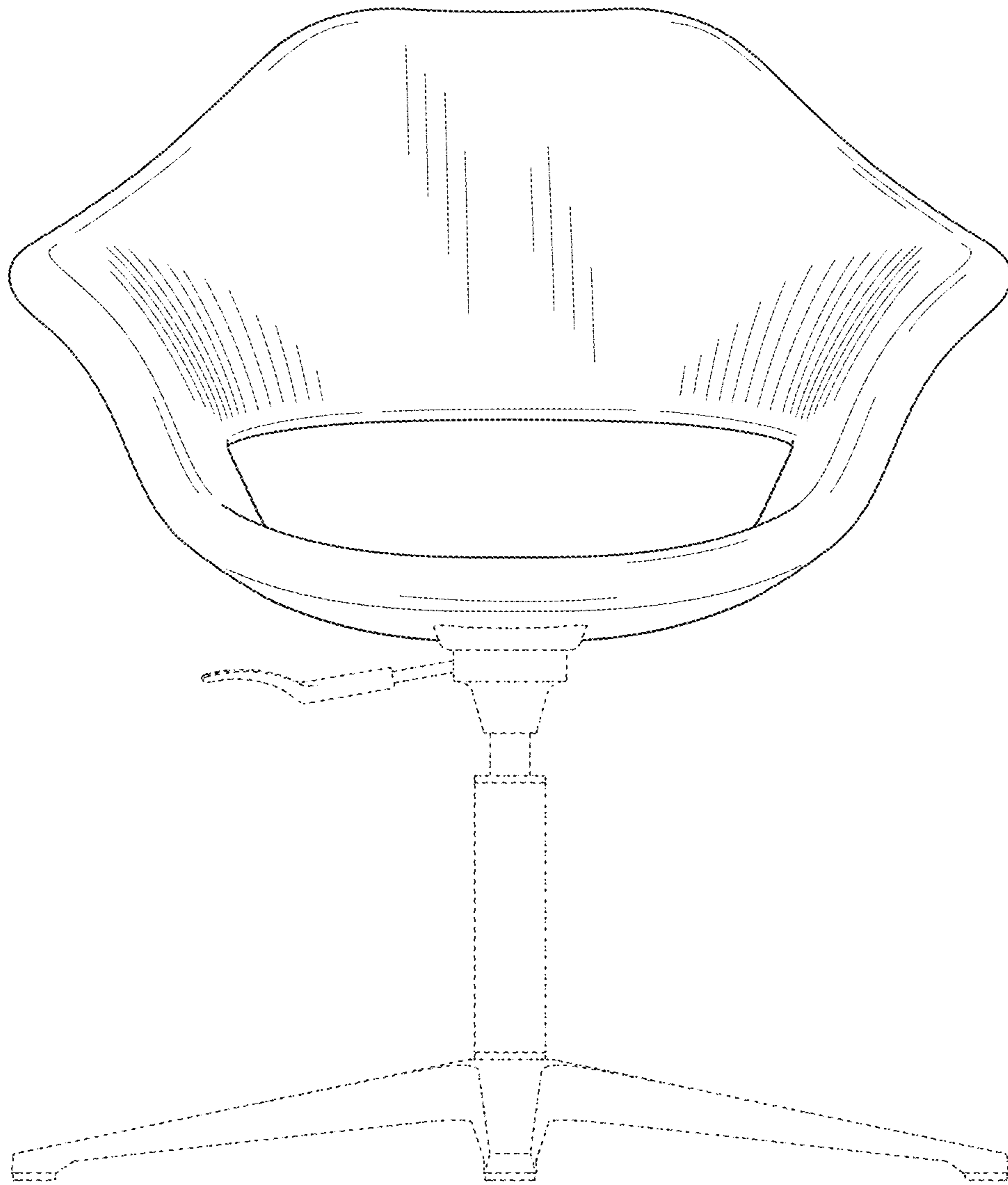


FIG. 3

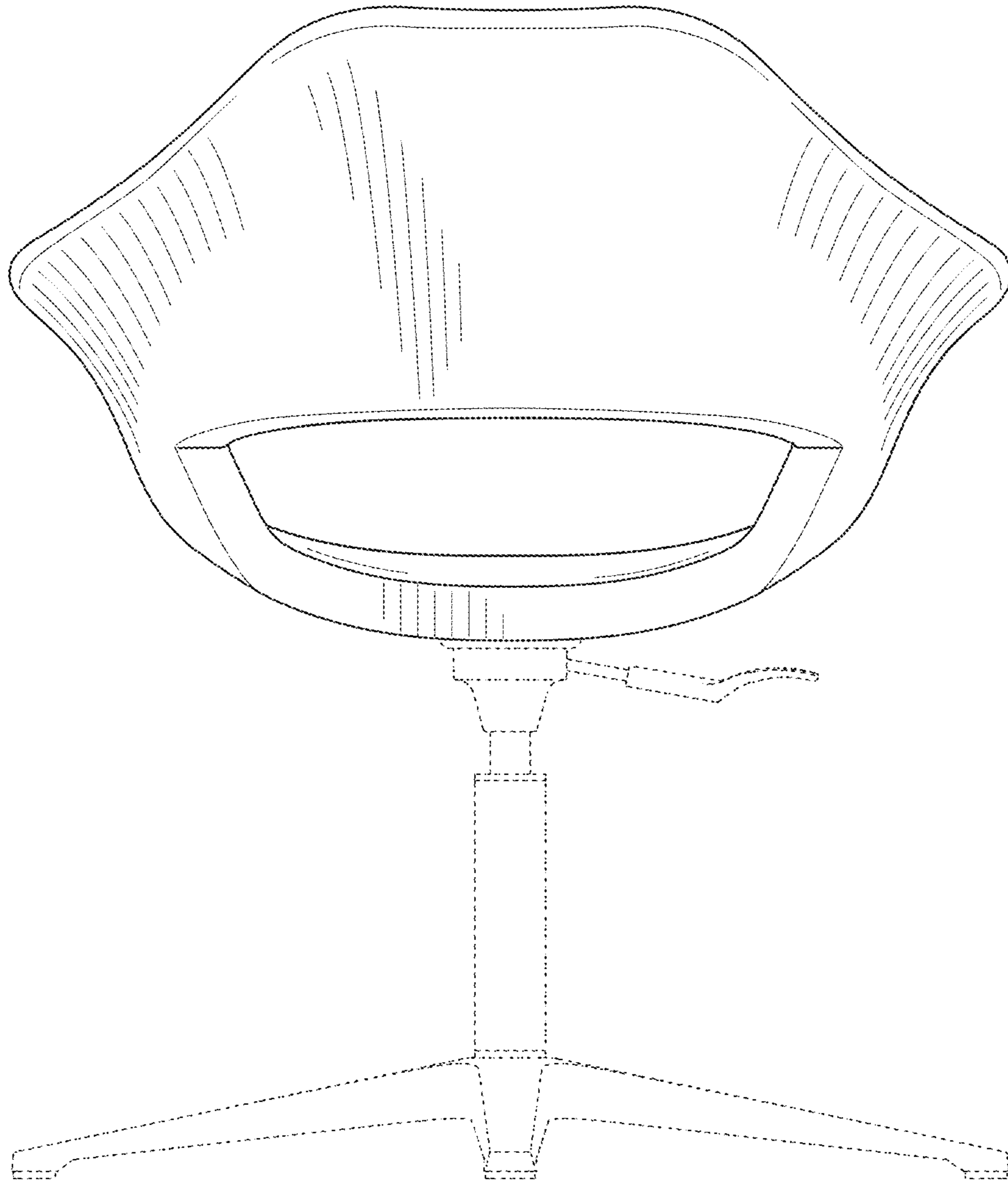


FIG. 4

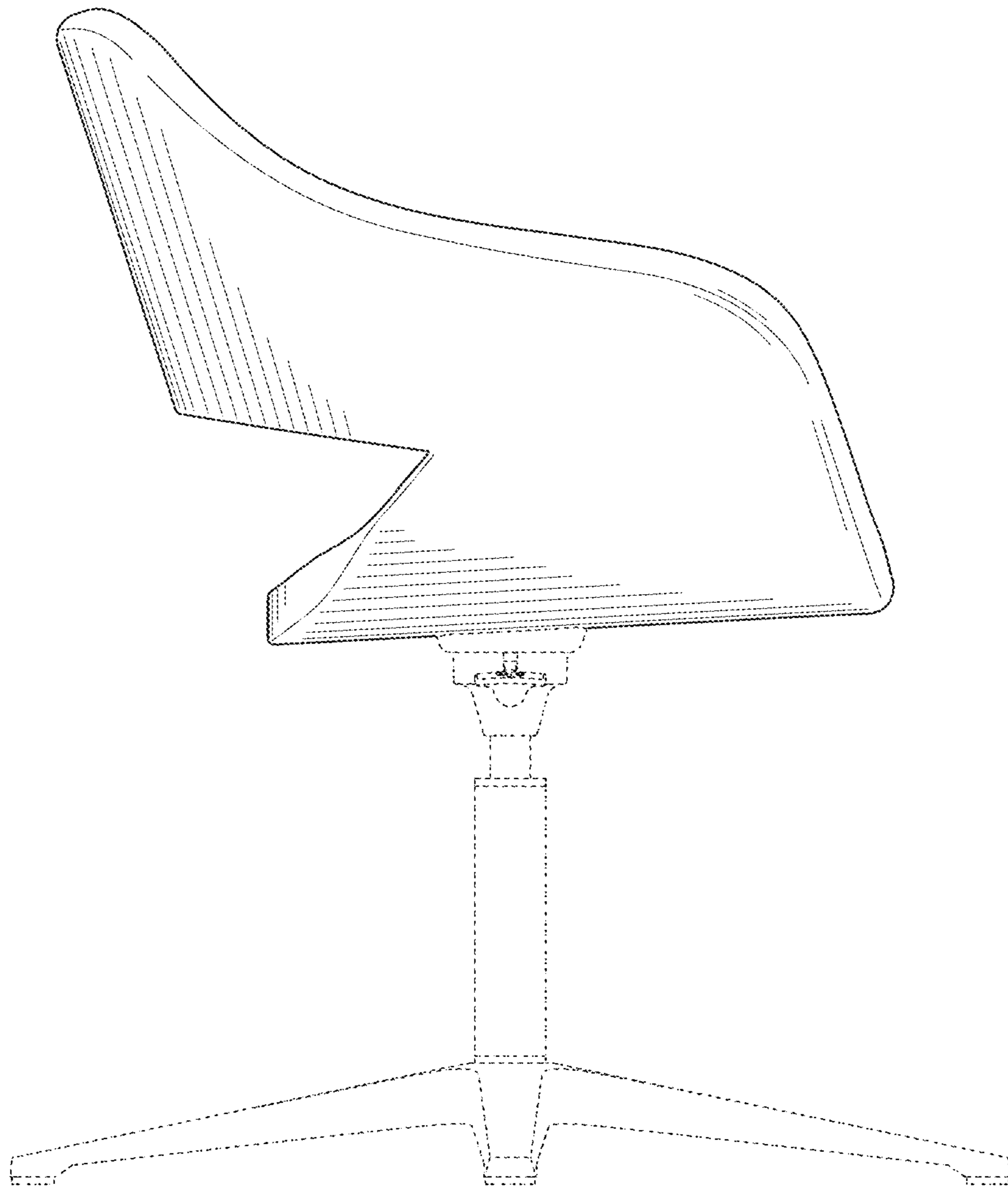


FIG. 5

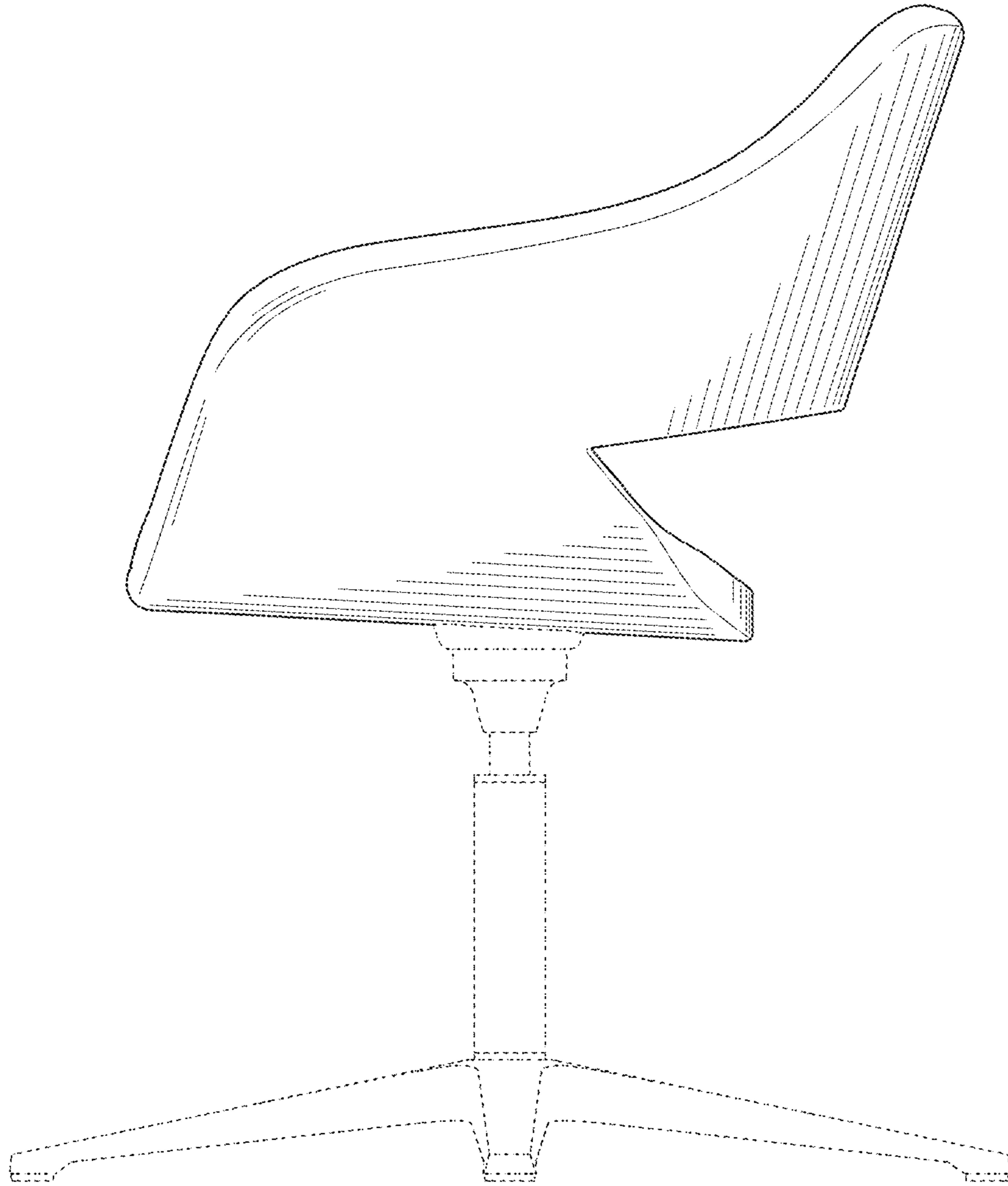


FIG. 6

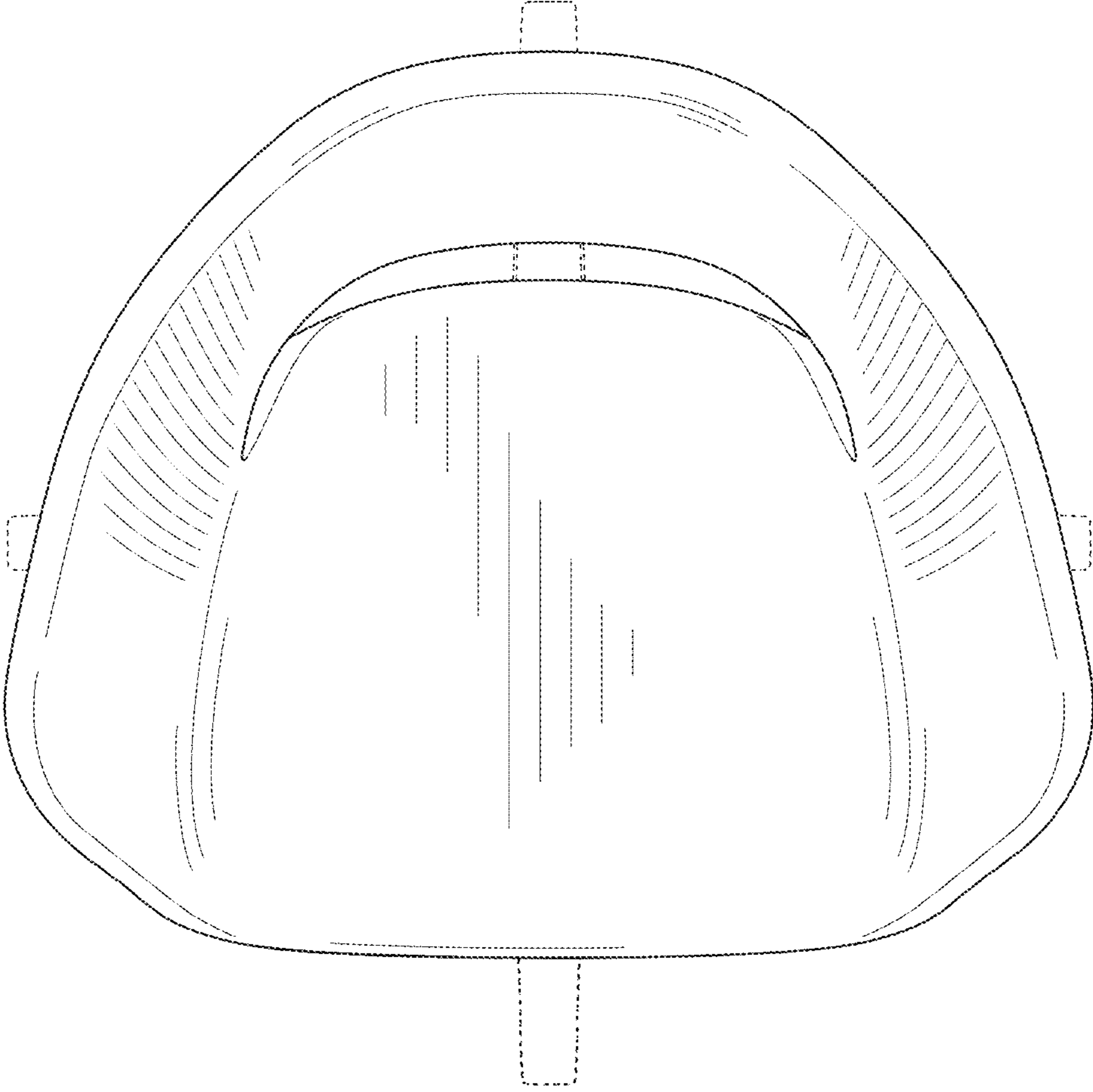


FIG. 7

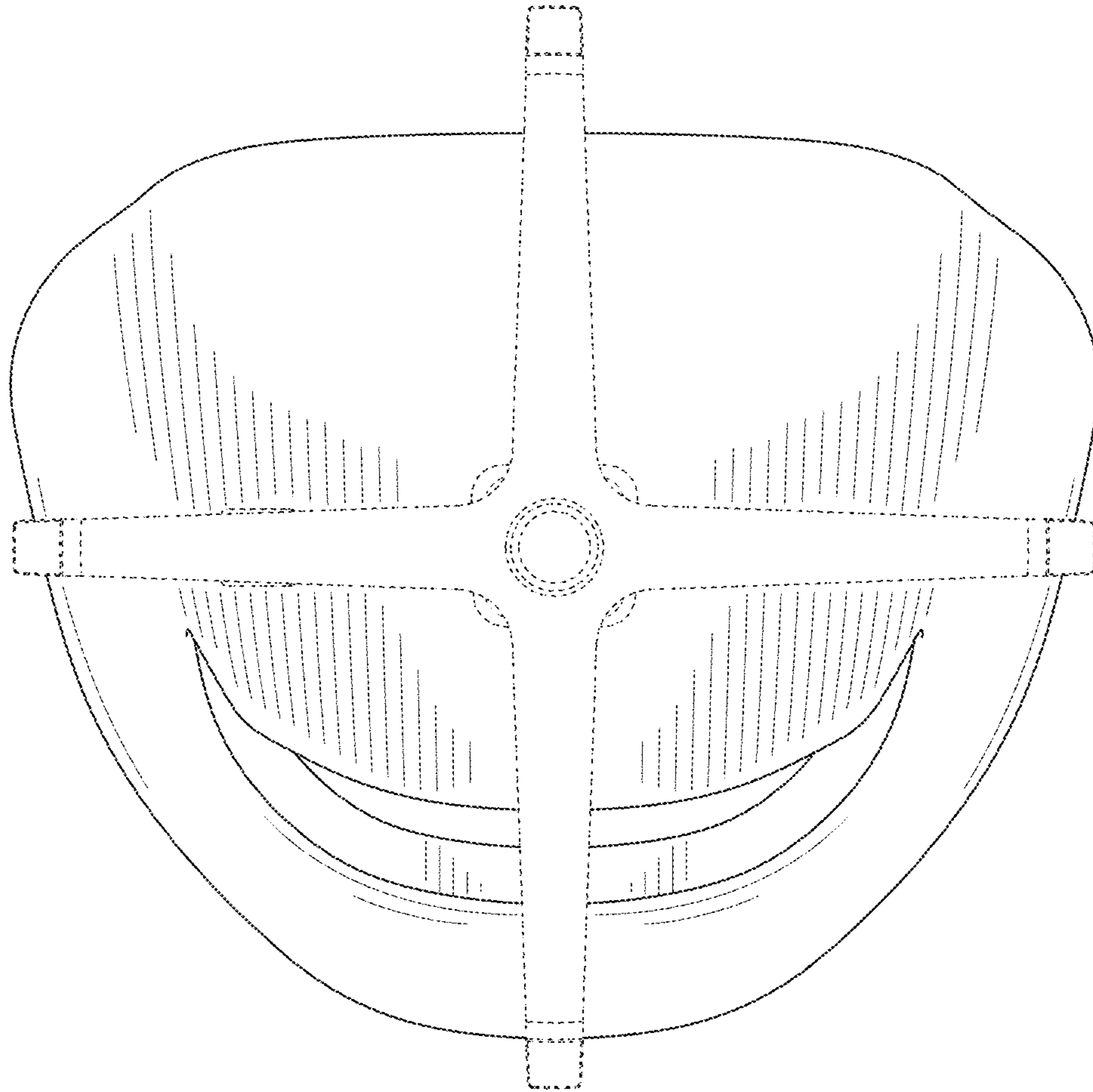


FIG. 8