



US00D916537S

(12) **United States Design Patent** (10) **Patent No.:** **US D916,537 S**
Davis et al. (45) **Date of Patent:** **** *Apr. 20, 2021**

(54) **TABLE**

(71) Applicant: **WALKER EDISON FURNITURE COMPANY LLC**, Salt Lake City, UT (US)
(72) Inventors: **Matthew Davis**, Murray, UT (US); **Brad Bonham**, Draper, UT (US); **Richard A. Packer**, Kaysville, UT (US)
(73) Assignee: **Walker Edison Furniture Company LLC**, West Jordan, UT (US)
(*) Notice: This patent is subject to a terminal disclaimer.

(**) Term: **15 Years**

(21) Appl. No.: **29/677,761**

(22) Filed: **Jan. 23, 2019**

(51) **LOC (13) Cl.** **20-02**

(52) **U.S. Cl.**
USPC **D6/675.1**

(58) **Field of Classification Search**
USPC D6/335, 396, 397, 552, 657, 661, 672, D6/673, 675, 675.1, 675.2, 675.3, 675.4,
(Continued)

(56) **References Cited**

U.S. PATENT DOCUMENTS

245,925 A 8/1881 Kinsley
309,799 A 12/1884 Poulson
(Continued)

FOREIGN PATENT DOCUMENTS

CN 304163895 9/2017
CN 304770575 8/2018
(Continued)

OTHER PUBLICATIONS

Foundry Select Arsenault Coffee Table, www.wayfair.ca [online]. Published on or before Aug. 11, 2020, [retrieved on Aug. 11, 2020]. Retrieved from the Internet: <URL:https://www.wayfair.ca/furniture/pdp/foundry-select-arsenault-coffee-table-c003159996.html> (Year: 2020).*

(Continued)

Primary Examiner — Michael A. Pratt

Assistant Examiner — Adam C Mager

(74) *Attorney, Agent, or Firm* — Workman Nydegger

(57) **CLAIM**

The ornamental design for a table, as shown and described.

DESCRIPTION

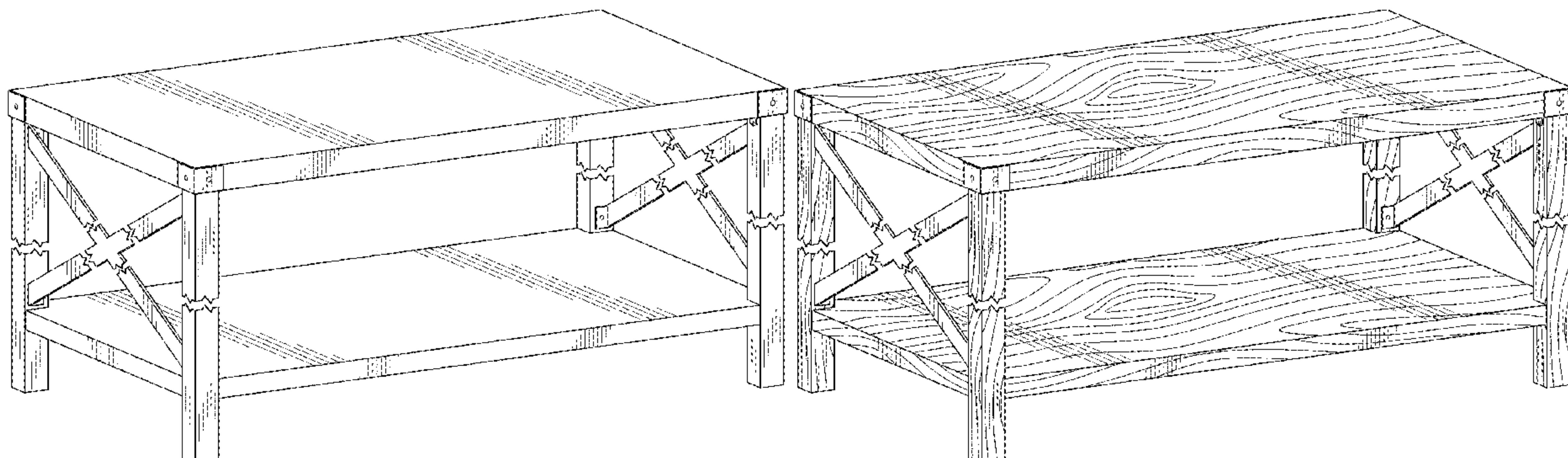
FIG. 1 is a front perspective view of a table showing the new design;
FIG. 2 is a front elevation view thereof;
FIG. 3 is a back elevation view thereof;
FIG. 4 is a top plan view thereof;
FIG. 5 is a bottom plan view thereof;
FIG. 6 is a right elevation view thereof;
FIG. 7 is a left elevation view thereof;
FIG. 8 is another front perspective view of a table showing the new design;
FIG. 9 is another front elevation view thereof;
FIG. 10 is another back elevation view thereof;
FIG. 11 is another top plan view thereof;
FIG. 12 is another bottom plan view thereof;
FIG. 13 is another right elevation view thereof; and,
FIG. 14 is another left elevation view thereof.

The broken away symbols in the drawings indicate that the appearance of any portion of the article between the break lines forms no part of the claimed design.

The table is shown with symbolic breaks in various design elements. The appearance of any portion of the article between the break lines forms no part of the claimed design.

The break lines themselves are for illustrating the breakaway and form no part of the claimed design.

1 Claim, 8 Drawing Sheets



(58) **Field of Classification Search**

USPC D6/675.5, 678.4, 683.1, 686, 691.1,
 D6/691.8, 691.9, 699.1, 702; D20/10, 18,
 D20/19, 39, 99; D25/1, 16, 32, 33, 68;
 D9/414
 CPC A47B 47/00; A47B 47/02; A47B 47/04;
 A47B 47/021; A47B 57/00; A47B
 57/406; A47B 96/00; A47B 96/02; A47B
 61/04; A47B 83/001; A47F 1/00; A47F
 7/00; A47F 7/03; A47F 7/24; A47F 3/00;
 A47F 3/002; A47F 3/005

See application file for complete search history.

(56) **References Cited**

U.S. PATENT DOCUMENTS

887,168 A 5/1908 Will
 1,097,697 A * 5/1914 Weston A47B 47/04
 108/186
 D47,441 S 6/1915 Ullin
 D47,600 S 7/1915 Koch
 D59,617 S 11/1921 Beach
 D61,344 S 8/1922 Mayer
 1,475,088 A 11/1923 Specht et al.
 D64,390 S 4/1924 Arons
 D64,922 S 6/1924 Nail
 D66,028 S 11/1924 Lyons et al.
 D66,889 S 3/1925 Schleicher
 1,538,393 A 5/1925 Martin
 D68,065 S 8/1925 Schleicher
 D68,659 S 11/1925 Smith
 D78,127 S 3/1929 Schleicher
 D103,250 S 2/1937 Parrish
 D120,370 S 5/1940 Bach
 2,207,307 A 7/1940 Teller
 D165,241 S 11/1951 Porter
 D166,077 S 3/1952 Haas
 2,696,419 A 12/1954 Wallance
 D175,869 S 10/1955 Trout
 2,743,720 A 5/1956 Dollinger
 D182,832 S 5/1958 Lubberts
 D182,836 S 5/1958 Lubberts
 2,850,346 A 9/1958 Holderle
 D186,115 S 9/1959 Church
 2,918,176 A 12/1959 Bell
 D187,232 S 2/1960 Matyas
 D188,196 S 6/1960 Lubberts
 D188,197 S 6/1960 Swarts
 3,039,621 A 6/1962 Pilcher
 D193,516 S 9/1962 Deaton
 D195,726 S 7/1963 Harper
 D196,451 S 10/1963 McMullen
 3,217,671 A 11/1965 Walsh
 3,272,582 A 9/1966 MacK
 3,352,615 A 11/1967 Sandin
 3,354,878 A 11/1967 Balls
 D220,704 S 5/1971 Kramer
 3,589,746 A 6/1971 Inglis
 RE27,186 E 10/1971 Ferdinand et al.
 RE27,200 E 10/1971 Ferdinand et al.
 3,688,707 A * 9/1972 White A47B 13/08
 108/159
 3,762,789 A 10/1973 Robertson
 3,766,863 A 10/1973 Swick
 D230,446 S 2/1974 Price
 D233,294 S 10/1974 Goulder
 D236,676 S 9/1975 Urti
 D236,781 S 9/1975 Cowley
 D238,277 S 12/1975 Parker
 D239,352 S 3/1976 Petrick
 D240,381 S 7/1976 Tazaki
 D240,685 S 7/1976 Eisen
 D244,112 S 4/1977 Friedman
 D244,113 S 4/1977 Friedman
 D248,429 S 9/1978 Robinson

D249,429 S 9/1978 Robinson
 D249,860 S 10/1978 Ungaro
 4,182,244 A 1/1980 Hutchins
 D259,316 S 5/1981 Offredi
 D262,847 S 2/1982 Keller
 D267,532 S 1/1983 Platner
 D269,754 S 7/1983 Kates
 D270,858 S 10/1983 McInnes
 D273,829 S * 5/1984 Desnoyers D6/691.8
 D274,152 S 6/1984 Fleming
 D281,901 S 12/1985 Demrick
 D283,182 S 4/1986 Marshall
 D283,343 S 4/1986 Haythornthwaite
 D289,474 S 4/1987 Underwood
 D293,177 S 12/1987 Hamami
 D293,521 S 1/1988 Handler
 4,793,667 A 12/1988 Gilliom
 D303,596 S 9/1989 Goetz
 D304,982 S 12/1989 Bush
 D305,930 S 2/1990 MacAleese
 D306,106 S 2/1990 Bush
 4,953,362 A 9/1990 Shoji
 D319,230 S 8/1991 Sugiyama
 5,036,778 A 8/1991 Briosi
 D319,743 S 9/1991 Grey
 D322,184 S 12/1991 Prevedello
 D325,680 S 4/1992 Kiiski
 D327,735 S 7/1992 Smith
 D328,341 S 7/1992 Chiu
 D329,693 S 9/1992 Mills
 D330,470 S 10/1992 Bennett
 D336,184 S 6/1993 Borgen
 D336,392 S 6/1993 Whalen
 D347,754 S 6/1994 Mehlin
 D348,576 S 7/1994 Narramore
 D348,726 S 7/1994 Wilson
 D353,960 S 1/1995 Barfield
 5,409,122 A 4/1995 Lazarus
 5,452,812 A 9/1995 Niequist
 D363,176 S 10/1995 Berry
 D363,841 S 11/1995 Nourse
 D364,055 S 11/1995 Pakla
 D364,064 S 11/1995 Lorenz
 5,463,966 A 11/1995 Nilsson
 D365,472 S 12/1995 Rehnberg
 D366,110 S 1/1996 Darr
 D367,383 S 2/1996 Hatrick-Smith
 D373,693 S 9/1996 Elhage
 5,628,256 A 5/1997 Lazarus
 D384,227 S 9/1997 Grosfillex
 D385,431 S 10/1997 Lee
 D386,019 S 11/1997 Grosfillex
 5,695,081 A 12/1997 Alkalay
 D389,343 S 1/1998 Van Der Merwe
 D390,936 S 2/1998 French
 5,752,500 A 5/1998 Jamieson
 5,782,231 A 7/1998 Wade
 D398,788 S 9/1998 Schubert
 5,833,084 A 11/1998 Chang
 D403,529 S 1/1999 De Blaay
 D404,937 S * 2/1999 Tarlow D6/675.1
 D407,577 S 4/1999 Dorst
 D408,174 S 4/1999 Aspenwall
 D420,114 S 2/2000 Johnson
 D423,810 S 5/2000 Dorst
 D423,813 S 5/2000 Paus
 D425,330 S 5/2000 O'Hare
 6,074,029 A 6/2000 Snoke
 D428,609 S 7/2000 Williams
 D430,431 S 9/2000 Walter
 D440,079 S 4/2001 Wohlford
 D448,203 S 9/2001 Jeup
 D449,184 S * 10/2001 Cain D6/691.9
 D450,492 S * 11/2001 Sabo D6/691.9
 D452,624 S 1/2002 de Blois
 D454,264 S 3/2002 Patik
 D454,732 S * 3/2002 Frenkler D6/656
 D455,916 S 4/2002 Fluhner
 D456,179 S 4/2002 Ferrer

(56)

References Cited

U.S. PATENT DOCUMENTS

6,393,207 B1	5/2002	Martin	D618,015 S	6/2010	Sexton
D462,008 S	8/2002	Stone	D618,016 S	6/2010	Metcalf
D466,333 S	12/2002	Hwang	D620,278 S	7/2010	Zambelli
6,515,262 B1	2/2003	Li	D620,283 S *	7/2010	Calco D6/675.1
D473,404 S *	4/2003	de Blois D6/691.9	D622,834 S	8/2010	Jiang
D475,225 S	6/2003	McBrayer	D623,442 S	9/2010	Zambelli
D477,160 S	7/2003	Grosfillex	D623,876 S	9/2010	Zambelli
D478,432 S	8/2003	Juneau	D623,877 S	9/2010	Zambelli
D479,925 S	9/2003	Hsieh	D625,123 S	9/2010	Zambelli
D485,450 S	1/2004	Smith	D630,453 S	1/2011	Rafieha
D485,709 S	1/2004	de Blois	D632,902 S	2/2011	Rafieha
D486,015 S *	2/2004	de Blois D6/691.8	D638,922 S	5/2011	Zhou
D492,989 S	7/2004	Beck	7,934,494 B1	5/2011	Schneider
D495,527 S	9/2004	Walker	D640,072 S	6/2011	Sexton
D495,898 S	9/2004	Walker	D641,861 S	7/2011	Okamoto
6,789,859 B1	9/2004	Ho	D644,853 S	9/2011	Becker
D497,741 S	11/2004	Sexton	D653,051 S	1/2012	Lin
D499,274 S	12/2004	Juneau	D653,739 S	2/2012	Gibbs
D499,281 S	12/2004	Yamaguchi	D654,289 S	2/2012	Zambelli
D499,583 S	12/2004	Anderson	D654,995 S	2/2012	Asofsky
D502,617 S *	3/2005	Chang D6/691.9	D654,996 S	2/2012	Asofsky
D503,570 S	4/2005	Anderson	D655,946 S	3/2012	Sexton
D507,428 S	7/2005	Weatherly	D658,750 S	5/2012	Nemes
D510,211 S	10/2005	Welborn, Jr.	D663,137 S	7/2012	Andersen
D519,203 S	4/2006	Haas	D663,138 S	7/2012	Andersen
D519,299 S	4/2006	Boudreau	D665,897 S	8/2012	Martin
D520,779 S	5/2006	DeBlois	D666,281 S	8/2012	Nemes
D522,771 S	6/2006	Berry	D667,653 S	9/2012	Lenney
D522,773 S	6/2006	Becker	D667,654 S	9/2012	Lenney
D528,327 S	9/2006	O'Reilly	D668,475 S	10/2012	Zambelli
D531,835 S	11/2006	Harwanko	D669,704 S	10/2012	Zambelli
D534,379 S	1/2007	Juneau	D669,706 S	10/2012	Zambelli
D534,998 S	1/2007	Charnik	D669,707 S	10/2012	Zambelli
D536,770 S	2/2007	Mayer	D670,105 S	11/2012	Jespersen
D538,406 S	3/2007	Mayer	D671,769 S	12/2012	Olson
D539,057 S	3/2007	Senda	D674,891 S	1/2013	Huang
D542,059 S	5/2007	Moyle	D675,716 S	2/2013	Schwartz
D543,057 S	5/2007	Grady	D675,846 S	2/2013	Monaldi
D543,728 S	6/2007	Becker	D677,074 S	3/2013	Olson
D548,488 S	8/2007	Weatherly	D687,250 S	8/2013	Weatherly
D548,490 S	8/2007	Becker	D694,873 S	12/2013	Nemes
D549,991 S	9/2007	Stravitz	D696,758 S	12/2013	Ernst
D553,879 S	10/2007	Juneau	8,607,776 B2	12/2013	Jansson
D554,393 S	11/2007	Yalif	8,813,656 B1	8/2014	Hazzard
D555,397 S	11/2007	Yalif	D716,288 S	10/2014	O'Heron
D559,017 S	1/2008	Domack	D717,081 S	11/2014	Dworman
D559,583 S	1/2008	Zambelli	D717,569 S	11/2014	Davis
D559,584 S	1/2008	Zambelli	D718,956 S	12/2014	Helser
D559,585 S	1/2008	Lara	D718,957 S	12/2014	Helser
D560,077 S	1/2008	Zambelli	D719,384 S	12/2014	Sowers
D560,396 S	1/2008	Weatherly	D720,563 S	1/2015	Burden
D560,403 S	1/2008	Domack	D723,148 S	2/2015	Lawrence
D560,930 S	2/2008	Woodward	D723,843 S	3/2015	Lai
D561,317 S	2/2008	Ou	9,004,060 B2	4/2015	Benedetti
D562,597 S	2/2008	Weatherly	D728,975 S	5/2015	Park
D564,789 S	3/2008	deCarolis	D730,089 S	5/2015	Carbone
D567,346 S	4/2008	Lin	D731,823 S	6/2015	Kelinske
D587,483 S	3/2009	Zambelli	D736,012 S	8/2015	Davis
D587,484 S	3/2009	Domack	D737,418 S	8/2015	Hrydovyy
D587,497 S	3/2009	Zambelli	D738,477 S	9/2015	Nemes
D588,831 S	3/2009	Mohundro	D738,647 S	9/2015	Muller
D589,280 S	3/2009	Zambelli	D741,090 S	10/2015	Ward
D591,533 S	5/2009	Karsson	D741,630 S	10/2015	Meissner
D592,432 S	5/2009	Sexton	9,167,896 B1	10/2015	Wu
7,530,538 B2	5/2009	Whalen	D742,142 S	11/2015	Everson
D593,776 S	6/2009	Sexton	D742,662 S	11/2015	Muller
D594,248 S	6/2009	Zambelli	D743,192 S	11/2015	Davis
D595,979 S	7/2009	Schweikarth	D746,614 S	1/2016	Sheppard
D598,672 S	8/2009	Maly	D747,123 S	1/2016	Zambelli
D604,546 S	11/2009	Alman	D747,788 S	1/2016	Baker
D605,874 S	12/2009	Zambelli	D747,900 S	1/2016	Sheppard
D606,331 S	12/2009	Wicha	9,228,742 B2	1/2016	Akiyama
D609,503 S	2/2010	Hayes	D748,768 S	2/2016	Stanton
D611,727 S	3/2010	Vail	D752,905 S	4/2016	Healy
D614,888 S	5/2010	Sexton	D753,930 S	4/2016	Vengadakrishnan
			D757,350 S	5/2016	Levy
			D758,766 S	6/2016	Kirar
			D759,997 S	6/2016	Ruiz
			D767,752 S	9/2016	Davis

(56)

References Cited

U.S. PATENT DOCUMENTS

D767,753 S 9/2016 Edmund
 D768,413 S 10/2016 Huang
 D773,862 S 12/2016 Davis
 D775,866 S 1/2017 Ben Avi
 D777,479 S 1/2017 Anderson
 D778,641 S 2/2017 Anderson
 D778,646 S 2/2017 Davis
 D783,324 S 4/2017 Akana
 D791,302 S 7/2017 Davis
 D791,522 S 7/2017 Rodd
 D792,132 S 7/2017 Peota
 D793,776 S 8/2017 Davis
 D798,640 S 10/2017 Anderson
 D804,861 S 12/2017 Failing
 D807,671 S 1/2018 Caillouet
 D808,203 S 1/2018 Davis
 D808,688 S 1/2018 Everson
 D808,690 S 1/2018 Hsu
 D812,938 S 3/2018 Moore
 D814,410 S 4/2018 Emslie
 D815,465 S 4/2018 Hannoosh
 D817,037 S 5/2018 Davis
 D817,038 S 5/2018 Davis
 D817,040 S 5/2018 Davis
 D817,666 S 5/2018 Davis
 D817,667 S 5/2018 Davis
 D818,750 S 5/2018 Hannoosh
 D821,038 S 6/2018 Rathman
 D824,703 S 8/2018 Yamamoto
 D825,233 S 8/2018 Yamamoto
 D825,959 S 8/2018 Rockwell
 D833,782 S 11/2018 Amacher
 D834,354 S 11/2018 Davis
 D834,355 S 11/2018 Davis
 D835,437 S * 12/2018 Stukenberg D6/675
 D835,925 S 12/2018 Denby
 D838,523 S 1/2019 Yamamoto
 D843,756 S 3/2019 Johnson
 D845,041 S 4/2019 Davis
 D845,679 S 4/2019 Li
 D845,683 S 4/2019 Pedersen
 D848,766 S 5/2019 Chen
 D848,767 S 5/2019 Smrstick
 D848,768 S 5/2019 Johnson
 D848,770 S 5/2019 Davis
 D849,457 S 5/2019 Kundig
 D850,815 S 6/2019 Nicoll
 D851,426 S 6/2019 Saotome
 D852,429 S 6/2019 Rathman
 D853,052 S 7/2019 Rathman
 D856,043 S 8/2019 Davis
 D857,326 S 8/2019 Hu
 D858,148 S 9/2019 Crutcher
 D859,038 S 9/2019 Davis
 D860,687 S 9/2019 Parikh
 D861,388 S 10/2019 Bray
 D862,940 S 10/2019 Bray
 D863,843 S 10/2019 Li
 D866,225 S 11/2019 Gelman
 D867,032 S 11/2019 Bellini
 D869,201 S 12/2019 Davis
 D869,202 S 12/2019 Davis
 D870,492 S 12/2019 Young
 D870,493 S 12/2019 Young
 D874,192 S 2/2020 Velez
 D878,116 S 3/2020 Davis
 D878,816 S 3/2020 Davis
 D878,817 S 3/2020 Davis
 D878,823 S 3/2020 Davis
 D879,516 S 3/2020 Davis
 D882,989 S 5/2020 Davis
 D885,091 S * 5/2020 Davis D6/675.3
 D886,496 S 6/2020 Davis
 D886,499 S 6/2020 Davis
 D888,467 S 6/2020 Li

D891,831 S 8/2020 Davis
 D894,641 S 9/2020 Davis
 D900,510 S 11/2020 Davis
 2004/0074858 A1 4/2004 Thuma et al.
 2004/0079714 A1 4/2004 Andrew
 2004/0222721 A1 11/2004 Kelley
 2004/0237853 A1 12/2004 Sholz
 2005/0000241 A1 1/2005 Kucera
 2005/0103734 A1 5/2005 Saltzberg
 2007/0062983 A1 3/2007 Barnett
 2007/0138119 A1 6/2007 Schwerdlin
 2007/0236111 A1 10/2007 Gray
 2007/0236113 A1 10/2007 McCambridge
 2008/0116771 A1 5/2008 Green
 2008/0181587 A1 7/2008 Patil
 2008/0203042 A1 8/2008 Felsenthal
 2008/0216817 A1 9/2008 Yungbluth
 2009/0025414 A1 1/2009 Koga
 2009/0151375 A1 6/2009 Tarr
 2009/0170421 A1 7/2009 Adrian
 2009/0220221 A1 9/2009 Zhou
 2010/0242405 A1 9/2010 Esbaum
 2010/0307179 A1 12/2010 Fava
 2011/0000477 A1 1/2011 Kwon
 2011/0017691 A1 1/2011 Wu
 2011/0079688 A1 4/2011 Grove
 2011/0080261 A1 4/2011 Asofsky
 2011/0120166 A1 5/2011 Nadel
 2011/0220090 A1 9/2011 Atemboski
 2014/0116418 A1 5/2014 Thomas
 2014/0239136 A1 8/2014 Ortega
 2014/0252939 A1 9/2014 Tunzi
 2014/0265754 A1 9/2014 Patterson
 2014/0265807 A1 9/2014 Kendall
 2014/0318529 A1 10/2014 Nielsen
 2015/0182021 A1 7/2015 Chang
 2015/0323190 A1 11/2015 Stein
 2016/0018112 A1 1/2016 Phillips
 2016/0100698 A1 4/2016 Clark
 2016/0157605 A1 6/2016 Grad
 2016/0209102 A1 7/2016 Vulava
 2016/0223213 A1 8/2016 Grohova
 2016/0256032 A1 9/2016 Bhajak
 2017/0089587 A1 3/2017 Nemes
 2017/0211814 A1 7/2017 Bourne
 2018/0064246 A1 3/2018 Kassanoff

FOREIGN PATENT DOCUMENTS

CN 305138614 5/2019
 EM 0030668485-0003 4/2016
 EM 003254200-0003 6/2016
 EM 005646783-0006 9/2018
 GB 1162368 8/1969
 GB 4001474 5/2007
 GB 4032905 11/2013
 GB 4034171 7/2014
 GB 6041896 8/2018
 WO WOD076242-061 5/2011

OTHER PUBLICATIONS

U.S. Appl. No. 29/611,962, filed Jul. 27, 2017, Davis.
 U.S. Appl. No. 29/611,963, filed Jul. 27, 2017, Davis.
 U.S. Appl. No. 29/634,946, filed Jan. 25, 2018, Davis.
 U.S. Appl. No. 29/634,903, filed Jan. 25, 2018, Davis.
 U.S. Appl. No. 29/654,941, filed Jun. 28, 2018, Davis.
 U.S. Appl. No. 29/654,935, filed Jun. 28, 2018, Davis.
 U.S. Appl. No. 29/654,950, filed Jun. 28, 2018, Davis.
 U.S. Appl. No. 29/656,499, filed Jul. 12, 2018, Davis.
 U.S. Appl. No. 29/656,479, filed Jul. 12, 2018, Davis.
 U.S. Appl. No. 29/656,485, filed Jul. 12, 2018, Davis.
 U.S. Appl. No. 29/656,486, filed Jul. 12, 2018, Davis.
 U.S. Appl. No. 29/656,497, filed Jul. 12, 2018, Davis.
 U.S. Appl. No. 29/654,930, filed Jun. 28, 2018, Davis.
 U.S. Appl. No. 29/654,936, filed Jun. 28, 2018, Davis.
 U.S. Appl. No. 29/654,952, filed Jun. 28, 2018, Davis.

(56)

References Cited

OTHER PUBLICATIONS

- U.S. Appl. No. 29/656,492, filed Jul. 12, 2018, Davis.
 U.S. Appl. No. 29/656,489, filed Jul. 12, 2018, Davis.
 U.S. Appl. No. 29/634,889, filed Jan. 25, 2018, Davis.
 U.S. Appl. No. 29/677,722, filed Jan. 23, 2019, Davis.
 U.S. Appl. No. 29/677,723, filed Jan. 23, 2019, Davis.
 U.S. Appl. No. 29/677,724, filed Jan. 23, 2019, Davis.
 U.S. Appl. No. 29/677,738, filed Jan. 23, 2019, Davis.
 U.S. Appl. No. 29/677,755, filed Jan. 23, 2019, Davis.
 Electric fireplace, image post date May 26, 2014, site visited Aug. 8, 2016, (online), <<https://www.tineye.com/search/3c3d0cbfb7030b3079ebefa0774a5b4e94120332/?pluginver>>.
 Media Console with Electric Fireplace, image post date Dec. 6, 2015, site visited Aug. 8, 2016, (online), <<http://www.overstock.com/Home-Garden/Media-Console-with-Electric-Fireplace-in-Barnwood/10309735/product.html?reset=05953330-aaa1-4640-a796-f225c2f8176d&refccid=MRISGBB2MZGZXYKK4EFVI25H6Q&recalg=809,828,512&recidx=1#reviews>>.
 Tv Stand With Fireplace, image post date Sep. 12, 2015, site visited Aug. 8, 2016, (online), <<https://www.tineye.com/search/77be8934bf07249cbb245c8ea0f719199437b185/>>.
 Walker Edison TV Stand with Fireplace Insert, image post date Jul. 31, 2015, site visited Aug. 8, 2016, (online), <<https://www.amazon.com/Walker-Edison-Fireplace-Insert-Espresso/dp/BOOPNONTAK>>.
 Manchester Fireplace TV Console, image post date Dec. 17, 2015, site visited Aug. 8, 2016, (online), <<http://www.walmart.com/ip/Manchester-Media-Fireplace-Stand-for-TVs-up-to-70/46360223>>.
 Monet Fireplace; Canadian Tire Company website: <http://www.canadiantire.ca/en/pdp.monet-fireplace-0643572p.html>; retrieved on Dec. 21, 2016.
 TV and Media Consoles, image post date Sep. 21, 2013, site visited Oct. 26, 2016, (online), <<http://web.archive.org/web/20130921074219/http://www.electrificfireplacesdirect.com/Gallery/tv-and-media-consoles.html>>.
 “Kendall Electric Media Fireplace—Espresso” Dec. 24, 2012, amazon.com, site visited Mar. 6, 2018 <https://www.amazon.com/Kendall-Electric-Media-Fireplace-Espresso/dp/B009LIT6XQ/ref=cm_cr_arp_d_product_top?ie=UTF8> (Year: 2012).
 “Whalen Media Fireplace Console for TVs up to 70" Gray” Nov. 24, 2015, walmart.com, site visited Mar. 6, 2018 <<https://www.walmart.com/ip/Whalen-Media-Fireplace-Console-for-TVs-up-to-70-Gray/54189794>> (Year: 2015).
 “Boston Loft Furnishings . . . ” Nov. 7, 2016, themine.com, site visited Mar. 2, 2018 <https://www.themine.com/tv-stands/boston-loft-furnishings-reamrock-infrared-electric-fireplace-media-stand-with-convertible-corner_g2733659.html> (Year: 2016).
 “Ameriwood Home Everett 70-inch . . . ” Dec. 6, 2016, overstock.com, site visited Mar. 2, 2018 <<https://www.overstock.com/Home-Garden/Ameriwood-Home-Everett-70-inch-Sonoma-Oak-TV-Stand-with-Glass-Doors/12710691/product.html>> (Year: 2016).
 Metal Coffee Table; <https://www.overstock.com/Home-Garden/42-Metal-Coffee-Table-42-x-24-x-18h/15951452/product.html> Retrieved on Nov. 13, 2018.
 Modern Two-Tone Writing Desk; <https://www.overstock.com/Home-Garden/144-Modern-Two-Tone-Writing-Desk/19684325/product.html> Retrieved on Nov. 13, 2018.
 Czapla TV Stand for TVs up to 65"; <https://www.allmodern.com/furniture/pdp/mercury-row-czapla-tv-stand-for-tvs-up-to-65-a000303456.html> ; Retrieved on May 7, 2019.
 Nelson Media Cabinet; <https://www.franceandson.com/collections/storage-shelving-media-cabinets/products/nelson-media-cabinet36051> ; Retrieved on May 7, 2019.
 Hal TV Stand for TVs up to 60"; <https://www.allmodern.com/furniture/pdp/hal-tv-stand-for-tvs-up-to-60-a000176456.html> ; Retrieved on May 7, 2019.
 Wigington TV Stand for TVs up to 60"; <https://www.allmodern.com/furniture/pdp/wigington-tv-stand-for-tvs-up-to-60-golv3670.html?piid> ; Retrieved on May 7, 2019.
 Audrey Woven Media Console 65"; <https://www.zinhome.com/audrey-woven-media-console-65/> ; Retrieved on May 14, 2019.
 Cliffmay Slat Media Stand Light Oak Brown—Project 62; https://www.target.com/p/cliffmay-slat-media-stand-light-oak-brown-project-62-153/-/A-53517373?ref=tgt_adv_XS000000&AFID=google_pla_df&fndsrc=tgtao&CPNG=PLA_Furniture%2BShopping_Priority%2BBrands&adgroup=SC_Project+62&LID=700000001170770pgs&network=g&device=c&location=9029756&glsrc=aw.ds&ds_rl=1246978&ds_rl=1247068&ds_rl=1246978&ref=tgt_adv_XS000000&AFID=google_pla_df&CPNG=PLA_Furniture+Shopping_Priority+Brands&adgroup=SC_Project%2062&LID=700000001170770pgs&network=g&device=c&location=9029756&gdevice=c&location=9029756&gclid=EAIAIQobChMI7Nb9wo-H3wIVBylpCh1fSg4IEAQYBSABEGk_yPD_BwE&glsrc=aw.ds ; Retrieved on May 7, 2019.
 Demilune Mesh Door Industrial Sideboard; https://belleescape.com/demilune-mesh-wire-door-industrial-chic-sideboard.html?___SID=U ; Retrieved on May 14, 2019.
 Tuk Cabinet; <https://blackroosterdecor.com/collections/storage/products/tuk-cabinet> ; Retrieved on May 14, 2019.
 Rustic Style 31 Inches Metal TV Stand With Wire Mesh Doors Cabinet, Black; <https://casagear.com/products/rustic-style-31-inches-metal-tv-stand-with-wire-mesh-doors-cabinet-black>; May 14, 2019.
 Geo-Marquetry Buffet; https://www.anthropologie.com/shop/geo-marquetry-buffet?adpos=1o27&adtype=pla&cm_mmc=Google-US%20-%20Shopping%20-%20Furniture-Organizing%20and%20Storage_-42699934&color=&countryCode=US&creative=191389729567&device=c&gclid=EAAlaQobChMlvuTGgYOH3wIVEdNkCh3t8wRPEAkYGYABEGJG_PD_BwE&inventoryCountry=US&matchtype=&mrkgadid=3202938336&mrkgcl=694&network=g&product_id=42699934&quantity=1&size=ALL&type=STANDARD&utm_campaign=US%20-%20Shopping%20-%20Furniture&utm_content=42699934&utm_medium=paid_search&utm_source=Google&utm_term=Organizing%20and%20Storage; Retrieved on May 14, 2019.
 Suspend II Media Console; <https://www.cb2.com/suspend-ii-media-console/s523915>; Retrieved on May 14, 2019.
 Hooker Furniture Melange Mirrored Angle Console; https://www.furniturecrate.com/hooker-melange-mirrored-angle-console.html?gdftrk=gdIV21650_a_7c92_a_7c8357_a_7c654170&gclid=CjwKEAiA05unBRCymrGilanF9SwSJACqDFRm1WwgePUSp65sXRCI4RkJfScYn-yCjNuB-GTt3W-FxoCQL7w_wcB; Retrieved on May 14, 2019.
 FurnitureMaxx Besteen Contemporary Wood Dark Gray Dining Room Server; https://www.amazon.com/dp/B07GVS1VK2/ref=cm_sw_r_pi_dp_U_x_evuOBbFM3298G; Retrieved on May 14, 2019.
 Jaydyn Media TV Stand/Credenza; https://www.macys.com/shop/product/jaydyn-media-tv-stand-credenza?ID=2883210&CategoryID=35319#fn=FURNITURE_CATEGORY=Buffet%20&size=20Sideboards&SIZE=&spc=131&ruleId=129%7CBOOST%20ATTRIBUTE%7CBOOST%20SAVED%20SET&searchPass=matchNone&slotId=2; Retrieved on May 14, 2019.
 Sideboard; <https://www.allmodern.com/furniture/pdp/sideboard-sct11710.html>; Retrieved on May 14, 2019.
 Belham Living Trenton Industrial End Table; https://www.hayneedle.com/product/belham-living-trenton-industrial-end-table-new.cfm?source=pla&kwid=OccasionalTables%20iprefer&tid=REDU113-1&adtype=pla&kw=&gclid=EAAlaQobChMlvOu-6vel3wIVB8ZkCh0ZdAf-EAkYAYABEGLyMfD_BwE; Retrieved on May 15, 2019.
 Belham Living Hampton Chair Side Table—Black; <https://www.hayneedle.com/product/belham-living-hampton-chair-side-table-black.cfm>; Retrieved on May 15, 2019.
 International Concepts Hampton End Table; https://www.hayneedle.com/product/internationalconceptshamptonendtable.cfm?source=pla&kwid=OccasionalTables%20level05&tid=WWI545-1&adtype=pla&kw=&gclid=EAAlaQobChMIpsnoq_ml3wIVGNVCh348gtdEAKYliABEGLP7fD_BwE; Retrieved on May 15, 2019.
 Hampton Weathered Taupe Gray Coffee Table; <https://www.homedepot.com/p/International-Concepts-Hampton-Weathered-Taupe-Gray->

(56)

References Cited

OTHER PUBLICATIONS

Coffee-Table-OT09-70C/302946359?MERCH=REC--PIPHorizontal2_rr_-204737265_-302946359_-N; Retrieved on May 15, 2019.

Convenience Concepts Oxford Rectangle Coffee Table; https://www.hayneedle.com/product/convenience-concepts-oxford-rectangle-coffee-table.cfm?source=pla&kwid=OccasionalTables%20newskus&tid=CONV338-5&adtype=pla&kw=&gclid=EALalQobChMlhuzv9_ml3wIVWx-tBh1rUA1tEAKYHyABEgJ2hPD_BwE; Retrieved on May 15, 2019.

Belham Living Jamestown Rustic Coffee Table with Unique Driftwood Finish; <https://www.hayneedle.com/product/jamestown-rustic-coffee-table.cfm>; Retrieved on May 15, 2019.

U.S. Appl. No. 29/654,936, dated Jun. 19, 2019, Notice of Allowance.

U.S. Appl. No. 29/656,479, dated Jun. 27, 2019, Notice of Allowance.

U.S. Appl. No. 29/698,919, filed Jul. 22, 2019, Davis.

U.S. Appl. No. 29/698,928, filed Jul. 22, 2019, Davis.

U.S. Appl. No. 29/698,940, filed Jul. 22, 2019, Davis.

U.S. Appl. No. 29/699,063, filed Jul. 23, 2019, Davis.

U.S. Appl. No. 29/699,066, filed Jul. 23, 2019, Davis.

U.S. Appl. No. 29/699,071, filed Jul. 23, 2019, Davis.

U.S. Appl. No. 29/699,073, filed Jul. 23, 2019, Davis.

U.S. Appl. No. 29/699,078, filed Jul. 23, 2019, Davis.

U.S. Appl. No. 29/698,942, filed Jul. 22, 2019, Davis.

U.S. Appl. No. 29/698,947, filed Jul. 22, 2019, Davis.

Pinterest; www.pinterest.com/pin/336328451393621/; Retrieved on Jun. 12, 2019.

Target Winham TV Stand—Threshold; www.target.com/p/windham-tv-stand-threshold-153/-/A-54301349; Retrieved on Jun. 12, 2019.

Pinterest DIY Farmhouse Coffee Table Cabinet; www.pinterest.com/pin/33636328450994833/; Retrieved on Jun. 12, 2019.

Image seen on Pinterest DIY Project; Pinterest.com; Seen approximately Aug. 1, 2017.

World Market—Metal Bexley Bar; www.worldmarket.com/product/metal+bexley+bar.do?pp=1; Retrieved on Sep. 25, 2019.

Overstock—Nova Domus Soria Modern Walnut TV Stand; https://www.overstock.com/Home-Garden/Nova-Domus-Soria-Modern-Walnut-TV-Stand/10359356/product.html?utm_campaign=pin_button&utm_medium=Social&utm_source=Pinterest; Retrieved on Jun. 12, 2019.

42 in. Metal and Wood Desk with Glass and Shelf Grey Wash by Walker Edison Furniture Company—Home Depot <http://www.homedepot.com/p/Walker-Edison-Furniture-Company-42-in-Merai-and-Wood-Desk-with-Glass-and-Shelf-Grey-Wash-HDM42JERGW/305309102> retrieved from the internet on Sep. 9, 2019.

Dark Walnut Wood and Glass Coffee Table by Walker Edison Furniture Company—Home Depot <https://www.homedepot.com/p/Walker-Edison-Furniture-Company-Dark-Walnut-Wood-and-Glass-Coffee-Table-HDF42JMGLDW/305308482> retrieved from the internet on Nov. 6, 2019.

“Baum TV Stand for TVs up to 58 inches” Wayfair. (Accessed Nov. 14, 2019).

“Dark Walnut 70” TV Stand” Pier1. (Accessed Nov. 14, 2019).

“Seren TV Stand for TVs up to 50 inches” Wayfair. (Accessed Nov. 14, 2019).

“Shreffler TV Stand for TVs up to 78 inches” Wayfair. (Accessed Nov. 14, 2019).

Electric Fireplaces Direct.com. <https://www.electricfireplacesdirect.com/products-accessories/tv-media-consoles/shelby-electric-fireplace-media-console-in-white-c3p18c9-2030w.html>. “Shelby Electric Fireplace Media Console in White”. Date unknown: Viewed Dec. 2019 (Year: 2019).

Pikove. <https://pikove.com/media/509962357792326443>. “Home Decor”. Feb. 2017 (Year: 2017).

Luno. <https://iamluno.com/product/kc27-record-console-new/>. “KC27 Hifi Record Console”. Date unknown: Viewed Dec. 2019 (Year: 2019).

U.S. Appl. No. 29/654,950, dated Sep. 25, 2019, Restriction Requirement.

U.S. Appl. No. 29/656,489, dated Sep. 25, 2019, Office Action.

U.S. Appl. No. 29/656,497, dated Sep. 25, 2019, Office Action.

U.S. Appl. No. 29/656,499, dated Sep. 26, 2019, Office Action.

U.S. Appl. No. 29/656,486, dated Sep. 27, 2019, Notice of Allowance.

U.S. Appl. No. 29/656,485, dated Oct. 2, 2019, Notice of Allowance.

U.S. Appl. No. 29/656,479, dated Oct. 21, 2019, Notice of Allowance.

U.S. Appl. No. 29/654,952, dated Nov. 15, 2019, Office Action.

U.S. Appl. No. 29/656,492, dated Nov. 18, 2019, Notice of Allowance.

U.S. Appl. No. 29/634,946, dated Dec. 12, 2019, Office Action.

U.S. Appl. No. 29/656,485, dated Dec. 18, 2019, Notice of Allowance.

U.S. Appl. No. 29/654,950, dated Dec. 27, 2019, Notice of Allowance.

U.S. Appl. No. 29/656,499, dated Jan. 23, 2020, Notice of Allowance.

U.S. Appl. No. 29/656,497, dated Jan. 23, 2020, Notice of Allowance.

U.S. Appl. No. 29/656,489, dated Jan. 24, 2020, Notice of Allowance.

U.S. Appl. No. 29/714,849, dated Feb. 25, 2020, Restriction Requirement.

U.S. Appl. No. 29/720,093, filed Jan. 9, 2020, Davis.

U.S. Appl. No. 29/714,849, filed Nov. 26, 2019, Davis.

U.S. Appl. No. 29/720,729, filed Jan. 15, 2020, Davis.

U.S. Appl. No. 29/720,732, filed Jan. 15, 2020, Davis.

U.S. Appl. No. 29/721,435, filed Jan. 21, 2020, Davis.

U.S. Appl. No. 29/720,734, filed Jan. 15, 2020, Davis.

U.S. Appl. No. 29/720,923, filed Jan. 16, 2020, Davis.

U.S. Appl. No. 29/720,927, filed Jan. 16, 2020, Davis.

U.S. Appl. No. 29/720,942, filed Jan. 16, 2020, Davis.

U.S. Appl. No. 29/720,948, filed Jan. 16, 2020, Davis.

U.S. Appl. No. 29/721,166, filed Jan. 17, 2020, Davis.

60" Tiered Top Console; <https://www.wayfair.com/furniture/pdp/real-flame-calie-tv-stand-for-tvs-up-to-48-inches-with-electric-fireplace-included-jfp1647.html>; Retrieved on Dec. 12, 2019.

58" Lincoln Console; <https://www.pinterest.com/pin/312366924137895643/>; Retrieved on Aug. 9, 2018.

58" Lincoln Console; https://www.miniforms.com/en/products/4_buffet-and-cabinet/105_edge/#f; Retrieved on Aug. 9, 2018.

60" Jacklyn TV Console; <https://www.pinterest.com/pin/33636328451628908/>; Retrieved on Apr. 16, 2018.

60" Victor TV Console; <https://www.pinterest.com/pin/33636328453466237/>; Retrieved on Apr. 11, 2018.

70" Tiered Top Open Shelf Fireplace; <https://www.wayfair.com/furniture/pdp/real-flame-calie-tv-stand-for-tvs-up-to-48-inches-with-electric-fireplace-included-jfp1647.html>; Retrieved on Jan. 10, 2018.

48" Radcliff Buffet; <https://www.walkerredison.com/buffet-52-console-table.html>; Retrieved on Jul. 19, 2018.

U.S. Appl. No. 29/654,952, dated Feb. 12, 2020, Notice of Allowance.

Pinterest; Cabinet Furniture; wood veneer sideboard with doors—Edge Collection by Miniforms; <https://www.pinterest.com/pin/312366924137895643/>; Retrieved on Aug. 9, 2018.

Edge Buffet and Cabinet; Miniforms.com; https://www.miniforms.com/en/products/4_buffet-and-cabinet/105_edge/#f; Retrieved on Aug. 9, 2018.

Pinterest; Media Furniture Search; <https://www.pinterest.com/pin/33636328451628908/>; Retrieved on Apr. 16, 2018.

Pinterest; Furniture Search; <https://www.pinterest.com/pin/33636328453466237/>; Retrieved on Apr. 11, 2018.

U.S. Appl. No. 29/714,849, dated Apr. 6, 2020, Notice of Allowance.

U.S. Appl. No. 29/634,946, dated Apr. 8, 2020, Notice of Allowance.

U.S. Appl. No. 29/654,952, dated Apr. 21, 2020, Notice of Allowance.

Office Action for U.S. Appl. No. 29/677,738 dated Jun. 26, 2020.

(56)

References Cited

OTHER PUBLICATIONS

Office Action for U.S. Appl. No. 29/677,723 dated Jun. 26, 2020.
 “Walker Edison—W6ONOR2D Assembly Instructions.” Found online Jun. 19, 2020 at www.walkerredison.com. Page dated Apr. 23, 2018. Retrieved from URL: [https://www.walkerredison.com/uploads/5/8/2/2/58227457/ai-w6Onor2d-%C2%AE version 042318 -e.pdf](https://www.walkerredison.com/uploads/5/8/2/2/58227457/ai-w6Onor2d-%C2%AE%20version%20042318-e.pdf) (Year: 2018).

“The Urban Port Mid Century Modern Acacia Wood TV Unit.” Found online Jun. 19, 2020 at www.amazon.com. Product reviewed Jun. 28, 2018. Retrieved from URL: <https://www.amazon.com/dp/B07P6QPSYJ/ref=sbl dpx B07LG44BN6 0?th=1> (Year: 2018).

“Simpli Home Draper Solid Wood Universal Low TV Media Stand.” Found online Jun. 19, 2020 at www.amazon.com. Product reviewed Sep. 26, 2016. Retrieved from URL: <https://www.amazon.com/dp/B01AACK5FM/ref=sbl dpx B082WLRSMS 0?th=1> (Year: 2016).

“Iwell Mid-Century Modern TV Stand.” Found online Jun. 20, 2020 at www.amazon.com. Product first available May 7, 2020. Retrieved from URL: <https://tinyurl.com/y9okn5lq> (Year: 2020).

“Tangkula Wooden TV Stand.” Found online Jun. 20, 2020 at www.amazon.com. Product first available Jan. 13, 2020. Retrieved from URL: <https://tinyurl.com/y9h9hwwc> (Year: 2020).

“Langley Street Silvia 54-inch TV Stand.” Found online Jun. 20, 2020 at www.amazon.com. Product first available Aug. 30, 2015. Retrieved from URL: <https://www.amazon.com/dp/B07BMM7PZ6/ref=sbl dpx B01255EZVW 0> (Year: 2015).

“Walker Edison—W70JACSD Assembly Instructions.” Found online Jun. 19, 2020 at www.walkerredison.com. Page dated Jul. 9, 2018. Retrieved from URL: [https://www.walkerredison.com/uploads/5/8/2/2/58227457/ai-w70jacsd - %C2%Ae version 071118n.pdf](https://www.walkerredison.com/uploads/5/8/2/2/58227457/ai-w70jacsd-%C2%Ae%20version%20071118n.pdf) (Year: 2018).

“South Shore Exhibit TV Stand.” Found online Jun. 19, 2020 at www.amazon.com. Product reviewed Jan. 12, 2017. Retrieved from URL: <https://www.amazon.com/dp/B01D9MW9FE/ref=sbl dpx B01AACK5FM 0?th=1> (Year: 2017).

“Sauder Coral Cape Contemporary Wood 70-inch TV Stand.” Found online Jun. 19, 2020 at www.amazon.com. Product first available Jan. 28, 2020. Retrieved from URL: <https://www.amazon.com/dp/B085VKFXJF/ref=sbl dpx B07LG44BN6 0> (Year: 2020).

“CCT Global Sourcing Inc. Pearson Solid Hardwood 60-inch TV Stand.” Found online Jun. 19, 2020 at www.amazon.com. Product first available Jan. 20, 2020. Retrieved from URL: <https://www.amazon.com/dp/B0842JT1Z6/ref=sbl dpx B07LG44BN6 0> (Year: 2020).

Notice of Allowance for U.S. Appl. No. 29/677,722 dated Jul. 1, 2020.

“Walker Edison—W58BMHPAS Assembly Instructions.” Found online Jun. 19, 2020 at www.walkerredison.com. Page dated Apr. 23, 2018. Retrieved from URL: [https://www.walkerredison.com/uploads/5/8/2/2/58227457/ai-w58bnnhpas-%C2%AE version 042318 -e.pdf](https://www.walkerredison.com/uploads/5/8/2/2/58227457/ai-w58bnnhpas-%C2%AE%20version%20042318-e.pdf) (Year: 2018).

“Mid Century Modern TV Stand.” Found online Jun. 20, 2020 at www.amazon.com. Product first available Jun. 16, 2020. Retrieved from URL: <https://tinyurl.com/y7qolcv7> (Year: 2020).

“Pemberly Row Modern Mid Century Entertainment TV Stand.” Found online Jun. 20, 2020 at www.amazon.com. Product first available May 25, 2018. Retrieved from URL: <https://tinyurl.com/y9affau7> (Year: 2018).

Notice of Allowance for U.S. Appl. No. 29/677,724 dated Jul. 7, 2020.

“Walker Edison—W60S014D Assembly Instructions.” Found online Jun. 19, 2020 at www.walkerredison.com. Page dated May 8, 2018. Retrieved from URL: [https://www.walkerredison.com/uploads/5/8/2/2/58227457/ai-w60soi4d- %C2%AE version 050818n.pdf](https://www.walkerredison.com/uploads/5/8/2/2/58227457/ai-w60soi4d-%C2%AE%20version%20050818n.pdf) (Year: 2018).

“Sauder Boulevard Cafe Credenza.” Found online Jun. 19, 2020 at www.amazon.com. Product first available Aug. 23, 2018. Retrieved from URL: <https://www.amazon.com/Sauder-420649-Boulevard-Credenza-Vintage/dp/B07GSJ4MG1/ref=psdc 14109851t1B07G62YLVT> (Year: 2018).

“Martin Furniture Eclectic Harmon Four Door Console.” Found online Jun. 19, 2020 at www.amazon.com. Product first available Oct. 30, 2017. Retrieved from URL: <https://www.amazon.com/dp/B076VVVYRPR/ref=sbl dpx B07G62YLVT 0> (Year: 2017).

“Industrial Iron Mesh Sideboard Media Cabinet.” Found online Jun. 19, 2020 at www.amazon.com. Product first available Jul. 20, 2015. Retrieved from URL: <https://www.amazon.com/dp/B01255EZVW/ref=sbl dpx B07G62YLVT 0> (Year: 2015).

Safavieh Furniture; <http://web.archive.org/web/20130301232929/http://safavieh.com/furniture/categories/bookcases?pg=all>; Retrieved online on Aug. 5, 2020.

Safavieh Furniture; <http://web.archive.org/web/20140713025018/http://safavieh.com/furniture/american-home/bookcases/amh6525a>; Retrieved online on Aug. 5, 2020.

Amarah Mid Century Modern Wood TV Stand by Christopher Knight Home; <https://web.archive.org/web/20181102021725/https://www.overstock.ca/Home-Garden/Amarah-Mid-century-Modern-Wood-TV-Stand-by-Christopher-Knight-Home/18108793/product.html>; Retrieved online on Aug. 5, 2020.

Gemini Wood Contemporary TV Stand; <https://web.archive.org/web/20160423180238/https://www.target.com/p/gemini-wood-contemporary-tv-stand-walnut-white-66-baxton-studio/-/A-50256043>; Retrieved online on Aug. 5, 2020.

Article Seno walnut media unit; <http://web.archive.org/web/20170610131805/https://www.article.com/product/1635/seno-walnut-63-media-unit>; Retrieved online on Aug. 5, 2020.

Instagram post—Article Seno walnut media unit; <https://www.instagram.com/p/BhcCAZIH8-q/>; Retrieved on Aug. 5, 2020.

Convenience Concepts Designs2Go Oslo TV Stand; <https://www.amazon.ca/Convenience-Concepts-Designs2Go-Stand-White/dp/B011RACHQ6/?th=1>; Retrieved online on Aug. 5, 2020.

Houzz_Rowan_Mid-Century Modern Two-Toned TV Stand; <https://www.houzz.com/products/rowan-mid-century-modern-two-toned-tv-stand-white-oak-prvw-vr~74489612>; Retrieved online on Aug. 21, 2020.

Focus On Furniture, Lowline TV Units; <https://web.archive.org/web/20170218071314/https://www.focusonfurniture.com.au/living-room/lowline-tv-units/>; Retrieved on Aug. 21, 2020.

Office Action for U.S. Appl. No. 29/654,930, dated Aug. 21, 2020.

U.S. Appl. No. 29/699,085, filed Jul. 23, 2019, Davis.

U.S. Appl. No. 29/349,903, filed Jan. 25, 2010, Davis.

U.S. Appl. No. 29/743,410, filed Jul. 21, 2020, Davis.

U.S. Appl. No. 29/611,962, dated Feb. 25, 2019, Non-Final Office Action.

U.S. Appl. No. 29/611,962, dated Aug. 2, 2019, Final Office Action.

U.S. Appl. No. 29/611,962, dated Jan. 6, 2020, Notice of Allowance.

U.S. Appl. No. 29/634,903, dated Dec. 23, 2019, Office Action.

U.S. Appl. No. 29/634,903, dated Apr. 10, 2020, Notice of Allowance.

U.S. Appl. No. 29/698,942, dated Sep. 23, 2020, Corrected Notice of Allowance.

U.S. Appl. No. 29/756,291, filed Oct. 27, 2020, Davis.

U.S. Appl. No. 29/756,302, filed Oct. 27, 2020, Davis.

U.S. Appl. No. 29/756,303, filed Oct. 27, 2020, Davis.

U.S. Appl. No. 29/756,305, filed Oct. 27, 2020, Davis.

U.S. Appl. No. 29/756,763, filed Oct. 30, 2020, Davis.

Notice of Allowance for U.S. Appl. No. 29/677,755, dated Oct. 27, 2020.

Notice of Allowance for U.S. Appl. No. 29/720,923, dated Oct. 28, 2020.

Office Action for U.S. Appl. No. 29/699,085, dated Oct. 27, 2020. Lorraine TV Stand for TVs up to 60" Retrieved online Nov. 3, 2020; from URL: <https://www.wayfair.com/furniture/pdp/three-posts-lorraine-tv-stand-for-tvs-up-to-60-w001527559.html>.

U.S. Appl. No. 29/698,924, filed Jul. 22, 2019, Davis.

U.S. Appl. No. 29/743,237, filed Jul. 20, 2020, Packer.

U.S. Appl. No. 29/743,240, filed Jul. 20, 2020, Packer.

U.S. Appl. No. 29/743,244, filed Jul. 20, 2020, Packer.

U.S. Appl. No. 29/743,246, filed Jul. 20, 2020, Packer.

U.S. Appl. No. 29/743,247, filed Jul. 20, 2020, Packer.

U.S. Appl. No. 29/743,250, filed Jul. 20, 2020, Packer.

U.S. Appl. No. 29/743,416, filed Jul. 21, 2020, Packer.

U.S. Appl. No. 29/743,418, filed Jul. 21, 2020, Packer.

(56)

References Cited

OTHER PUBLICATIONS

U.S. Appl. No. 29/743,423, filed Jul. 21, 2020, Packer.
 U.S. Appl. No. 29/743,584, filed Jul. 22, 2020, Packer.
 U.S. Appl. No. 29/728,971, filed Mar. 23, 2020, Davis.
 Calie TV Stand for TVs up to 48 inches with Electric Fireplace Included; Wayfair.com; <https://www.wayfair.com/furniture/pdp/real-flame-calie-tv-stand-for-tvs-up-to-48-inches-with-electric-fireplace-included-jfp1647.html>; Retrieved on Jan. 10, 2018.
 Restriction Requirement for U.S. Appl. No. 29/698,919, dated Aug. 27, 2020.
 Office Action for U.S. Appl. No. 29/677,755, date Aug. 27, 2020.
 Foundry Arsenault End Table, www.wayfair.com [online]. Published on or before Aug. 15, 2020, [retrieved on Aug. 15, 2020], Retrieved from the Internet: <URL:<https://www.wayfair.ca/furniture/pdp/foundry-select-arsenault-4-legs-end-table-c003160002.html?piid=1664365403>> (Year: 2020).
 Office Action for U.S. Appl. No. 29/698,928, dated Aug. 28, 2020.
 Notice of Allowance for U.S. Appl. No. 29/698,940, dated Aug. 28, 2020.
 Rustic Farmhouse Corner TV Stand With Barn Doors, Little Rustic Shop, site visited Aug. 24, 2020, available online at <https://littlerusticshop.com/collections/frontpage/products/rustic-farmhouse-corner-tv-stand-with-barn-doors> (Year: 2020).
 Office Action for U.S. Appl. No. 29/698,947, dated Aug. 31, 2020.
 White Eliza TV Stand With Fireplace Insert, Owens Home Furnishings, site visited Aug. 25, 2020, available online at <https://www.owensfurniture.com/eliza-white-barn-door-tv-stand-70/> (Year: 2020).
 Office Action for U.S. Appl. No. 29/698,942, dated Aug. 31, 2020.
 Notice of Allowance for U.S. Appl. No. 29/699,063, dated Sep. 2, 2020.
 Notice of Allowance for U.S. Appl. No. 29/699,071, dated Sep. 4, 2020.
 Notice of Allowance for U.S. Appl. No. 29/699,066, dated Sep. 11, 2020.
 Notice of Allowance for U.S. Appl. No. 29/677,723, dated Sep. 15, 2020.
 Notice of Allowance for U.S. Appl. No. 29/677,738, dated Sep. 15, 2020.
 Notice of Allowance for U.S. Appl. No. 29/698,942, dated Sep. 15, 2020.
 Office Action for U.S. Appl. No. 29/698,924, dated Sep. 16, 2020.
 Notice of Allowance for U.S. Appl. No. 29/699,073, dated Sep. 16, 2020.
 Notice of Allowance for U.S. Appl. No. 29/677,723, dated Sep. 29, 2020.
 Notice of Allowance for U.S. Appl. No. 29/677,738, dated Sep. 29, 2020.
 Notice of Allowance for U.S. Appl. No. 29/720,732; dated Sep. 29, 2020.

Notice of Allowance for U.S. Appl. No. 29/721,435, dated Sep. 29, 2020.
 Notice of Allowance for U.S. Appl. No. 29/677,724, dated Sep. 30, 2020.
 Notice of Allowance for U.S. Appl. No. 29/699,071, dated Sep. 30, 2020.
 Notice of Allowance for U.S. Appl. No. 29/720,923, dated Sep. 30, 2020.
 Office Action for U.S. Appl. No. 29/699,078, dated Oct. 6, 2020.
 “Vasagle Glatal Glass Coffee Table.” Found online Sep. 30, 2020 at www.amazon.com. Product first available May 1, 2020. Retrieved from URL: <https://tinyurl.com/yxvuv2rf> (Year: 2020).
 “Henn and Hart Coffe Table.” Found online Sep. 30, 2020 at www.amazon.com. Product first available Jan. 20, 2019. Retrieved from URL: https://www.amazon.com/-/es/Henn-Hart-talla-%C3%BAnica-color/dp/B07N8RRPT5/ref=psdc_3733631_t5_B07CYML1LF (Year: 2019).
 Notice of Allowance for U.S. Appl. No. 29/698,942, dated Nov. 3, 2020.
 Notice of Allowance for U.S. Appl. No. 29/699,073, dated Nov. 3, 2020.
 Notice of Allowance for U.S. Appl. No. 29/721,435, dated Nov. 3, 2020.
 “Alera Angled Doors Oak Wood Black Sideboard” <https://www.decorpad.com/bookmark.htm?bookmarkId=69182> (Retrieved Nov. 12, 2020).
 “Linus Base Cabinet w/Double Angled Doors by Haba, 460499*” <https://gresscoltd.com/linus-base-cabinet-w-double-angled-doors-by-haba-460499.html> (Retrieved Nov. 12, 2020).
 “Solid Acacia Wood Canyon Ridge Three Drawer Media TV Console ith Metal Base” <https://www.hootjudkins.com/solid-acacia-wood-canyon-ridge-three-drawer-media-tv-console-with-metal-base> (Retrieved Nov. 12, 2020).
 Office Action for U.S. Appl. No. 29/756,291, dated Nov. 23, 2020.
 Barn Door Console, @sarahashleyallen on Instagram, Dec. 26, 2016, site visited Nov. 18, 2020, available online at <https://www.instagram.com/p/BOFH8jqgzjK/?taken-by=sarahashleyallen> (Year: 2016).
 DIY Barn Door Hardware, Ana White, Oct. 17, 2018, site visited Nov. 18, 2020, available online at <https://www.ana-white.com/woodworking-projects/diy-barn-door-hardware-washers> (Year: 2018).
 Office Action for U.S. Appl. No. 29/698,919, dated Nov. 24, 2020.
 DIY Sliding Barn Door Console, Jaime Costiglio, Jan. 1, 2019, site visited Nov. 18, 2020, available online at <https://jaimecostiglio.com/diy-sliding-barn-door-console-free-plans/> (Year: 2019).
 Notice of Allowance for U.S. Appl. No. 29/654,930, dated Dec. 10, 2020.
 Notice of Allowance for U.S. Appl. No. 29/698,947, dated Dec. 10, 2020.
 Notice of Allowance for U.S. Appl. No. 29/698,928, dated Dec. 11, 2020.

* cited by examiner

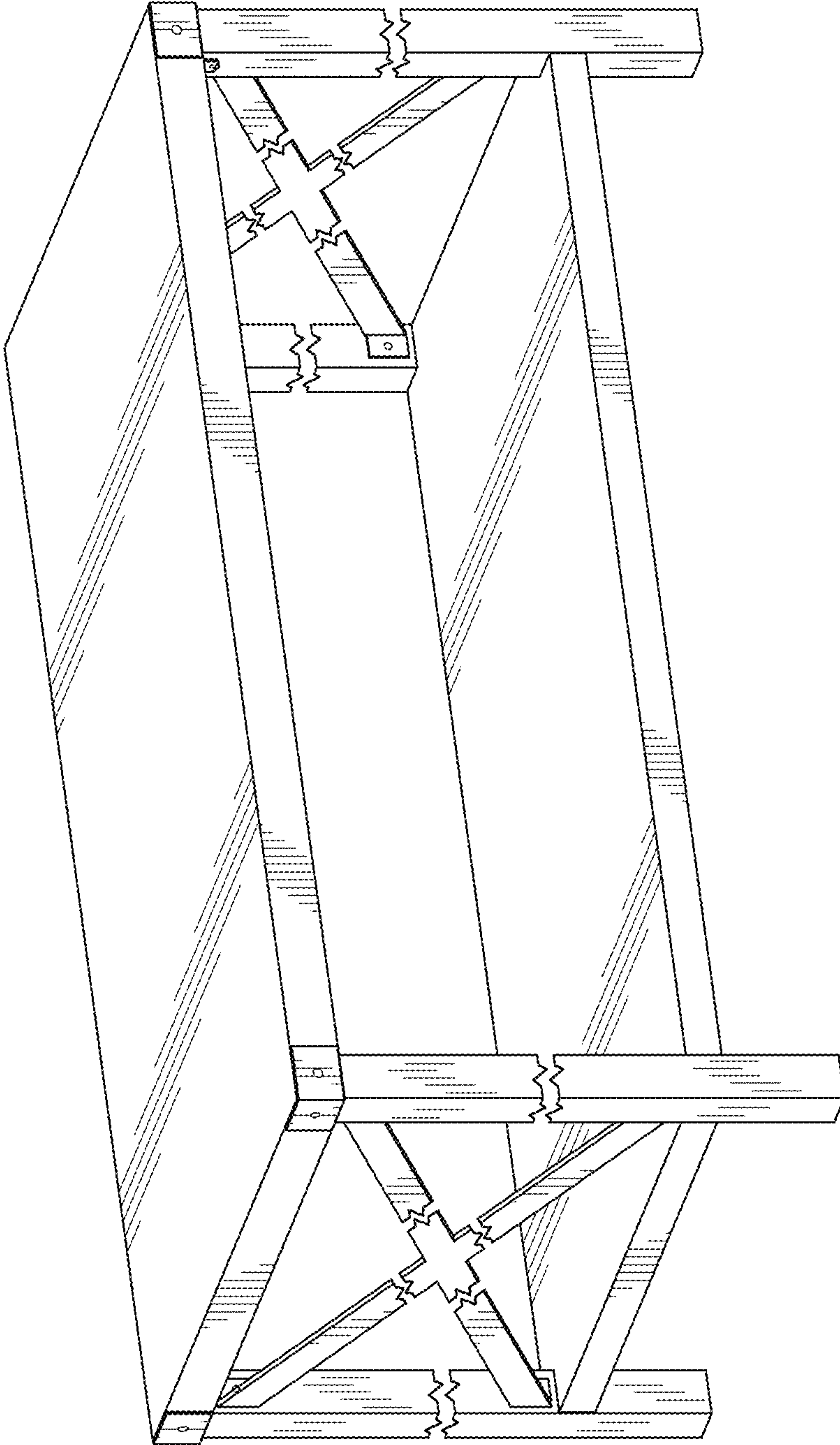


FIG. 1

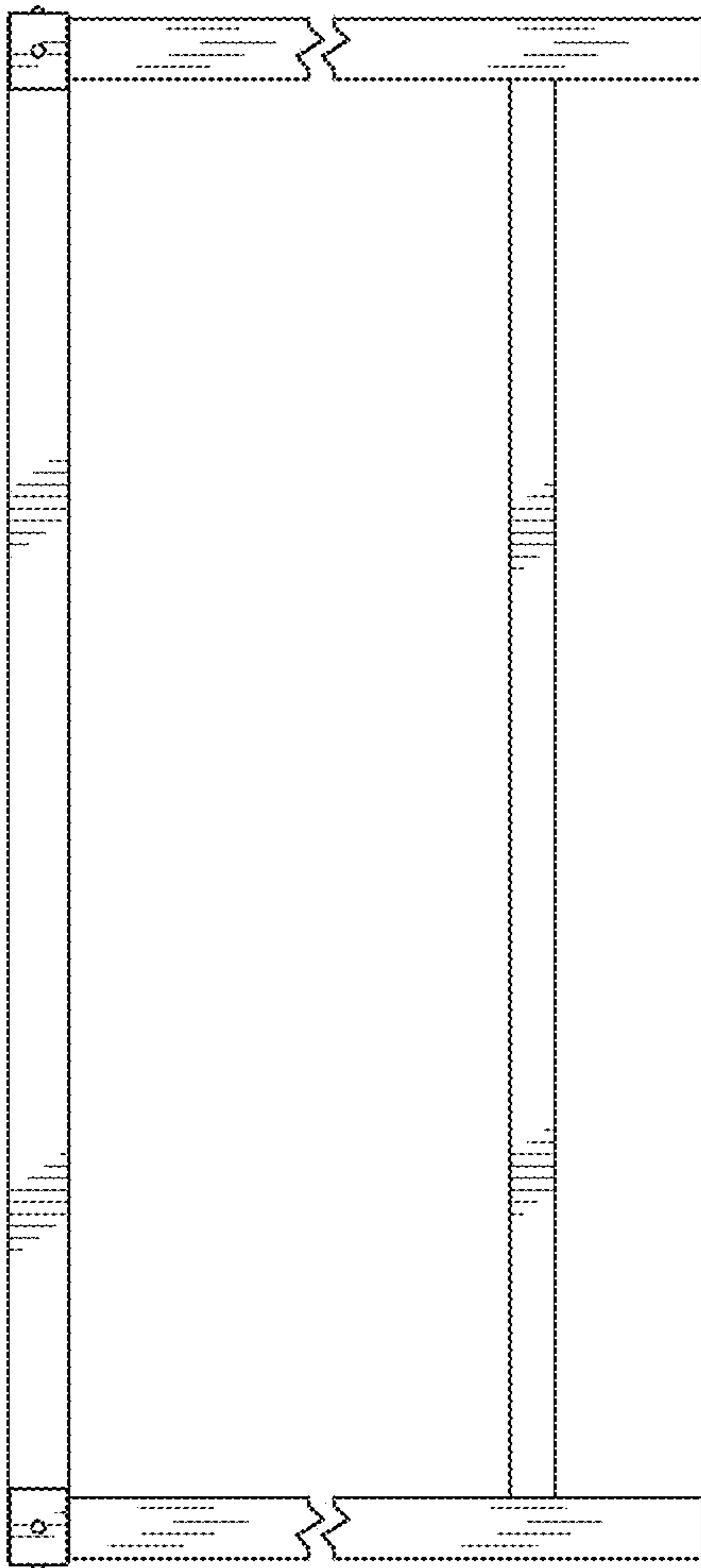


FIG. 2

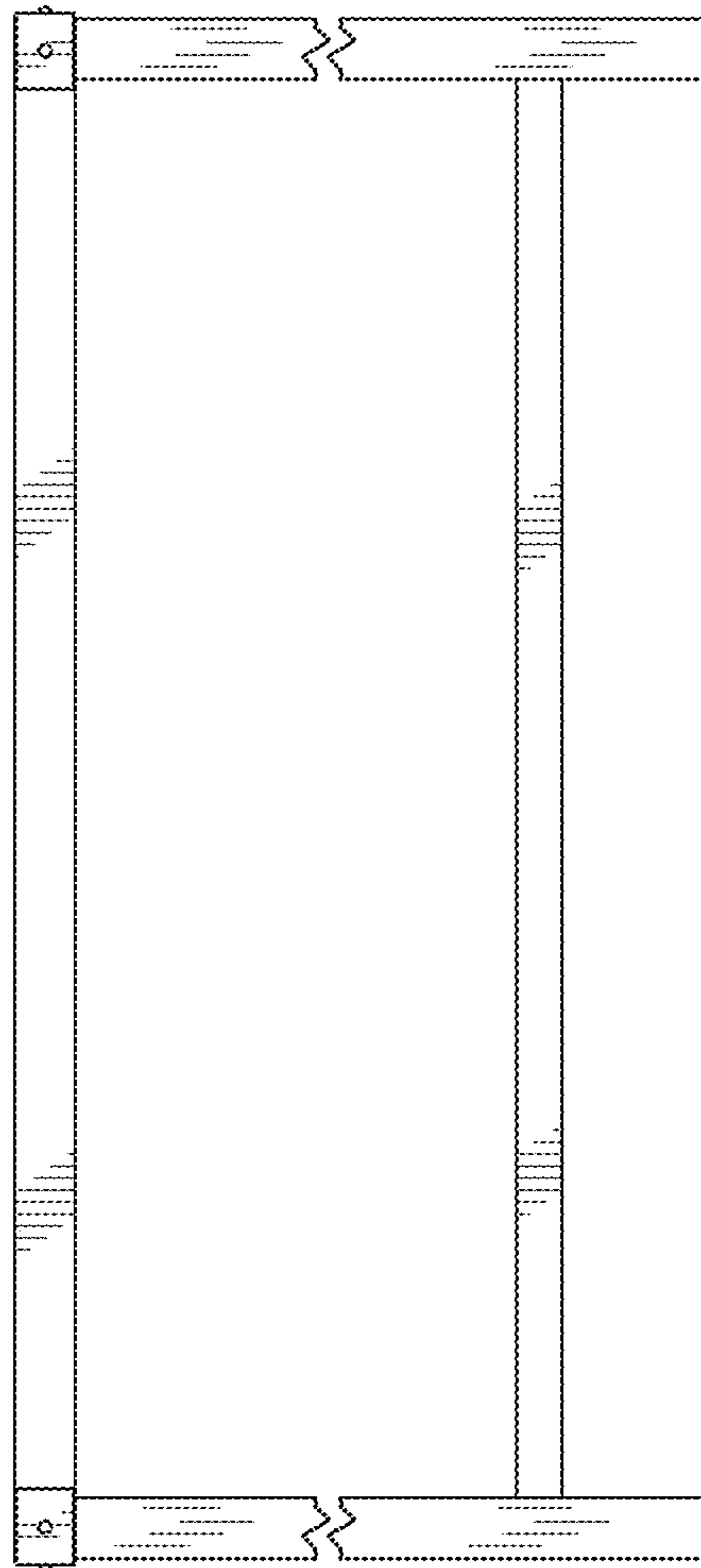


FIG. 3

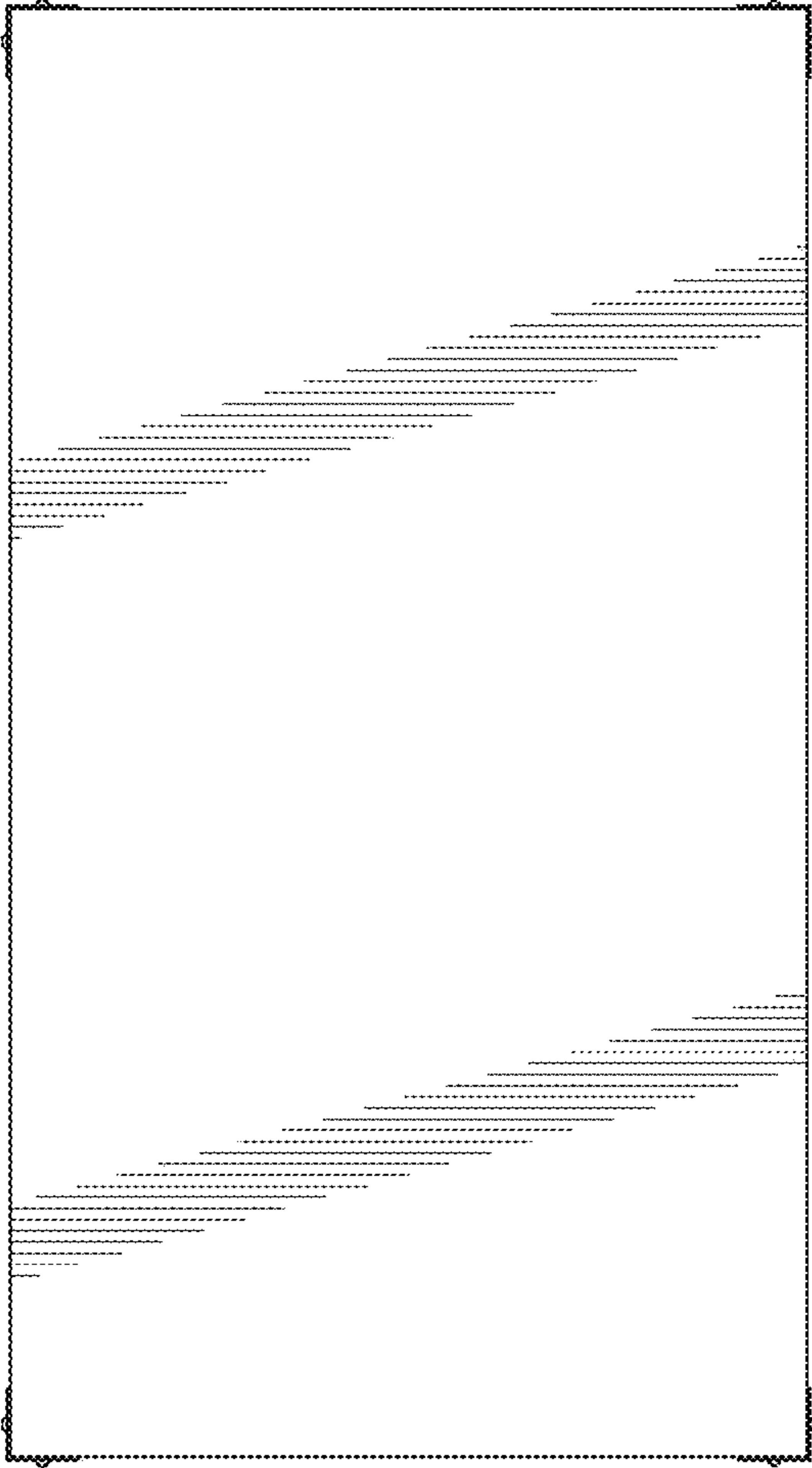


FIG. 4

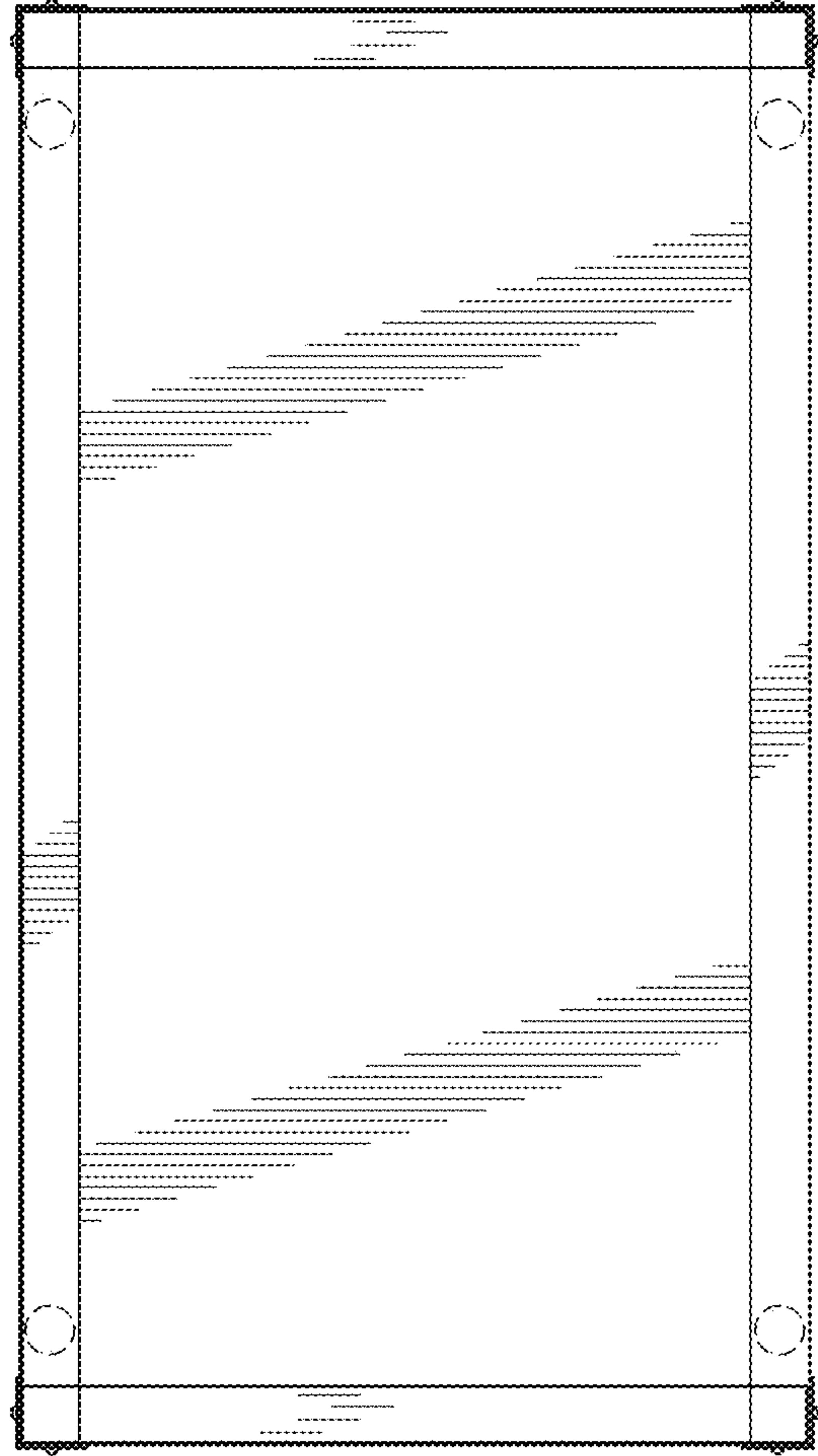


FIG. 5

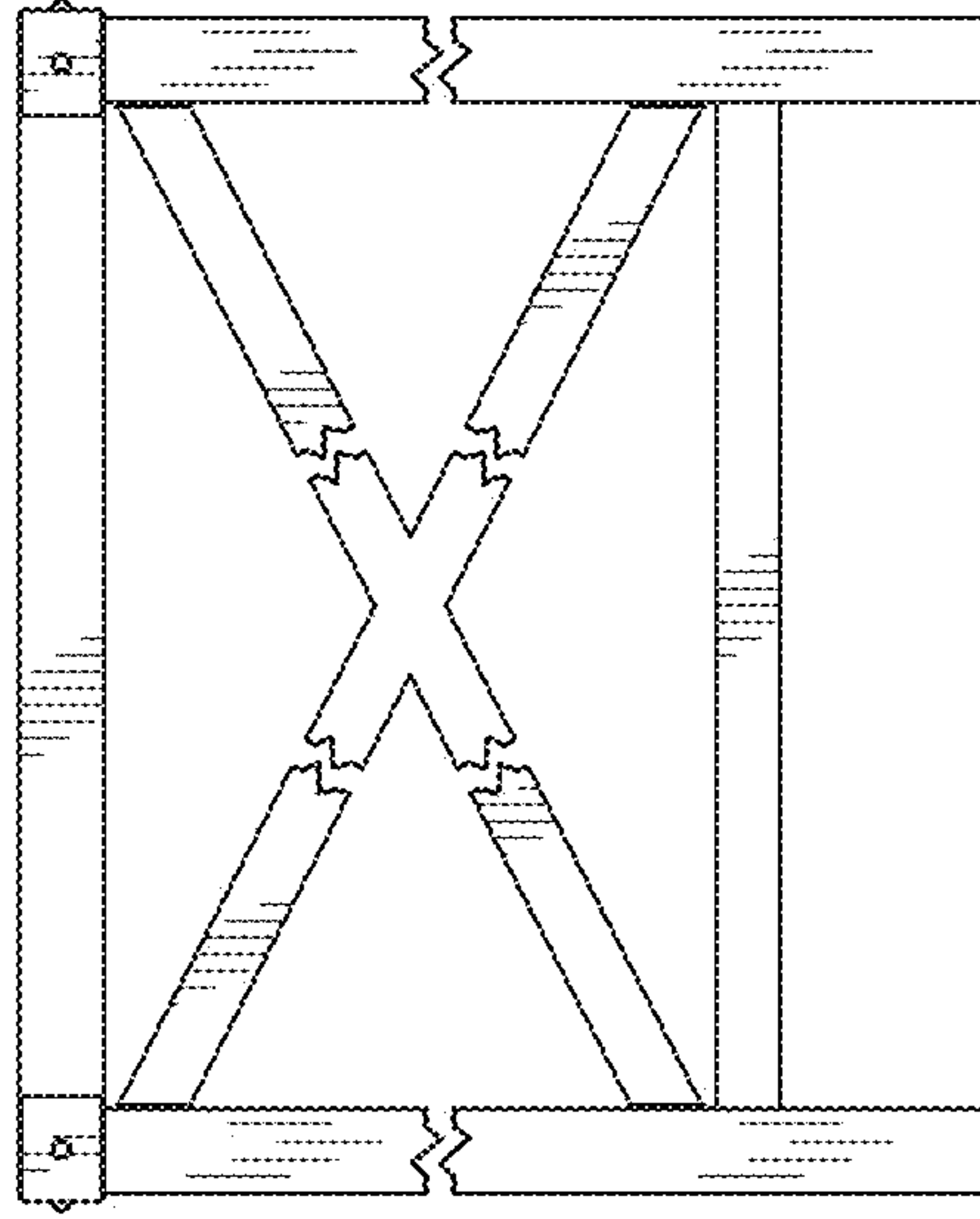


FIG. 6

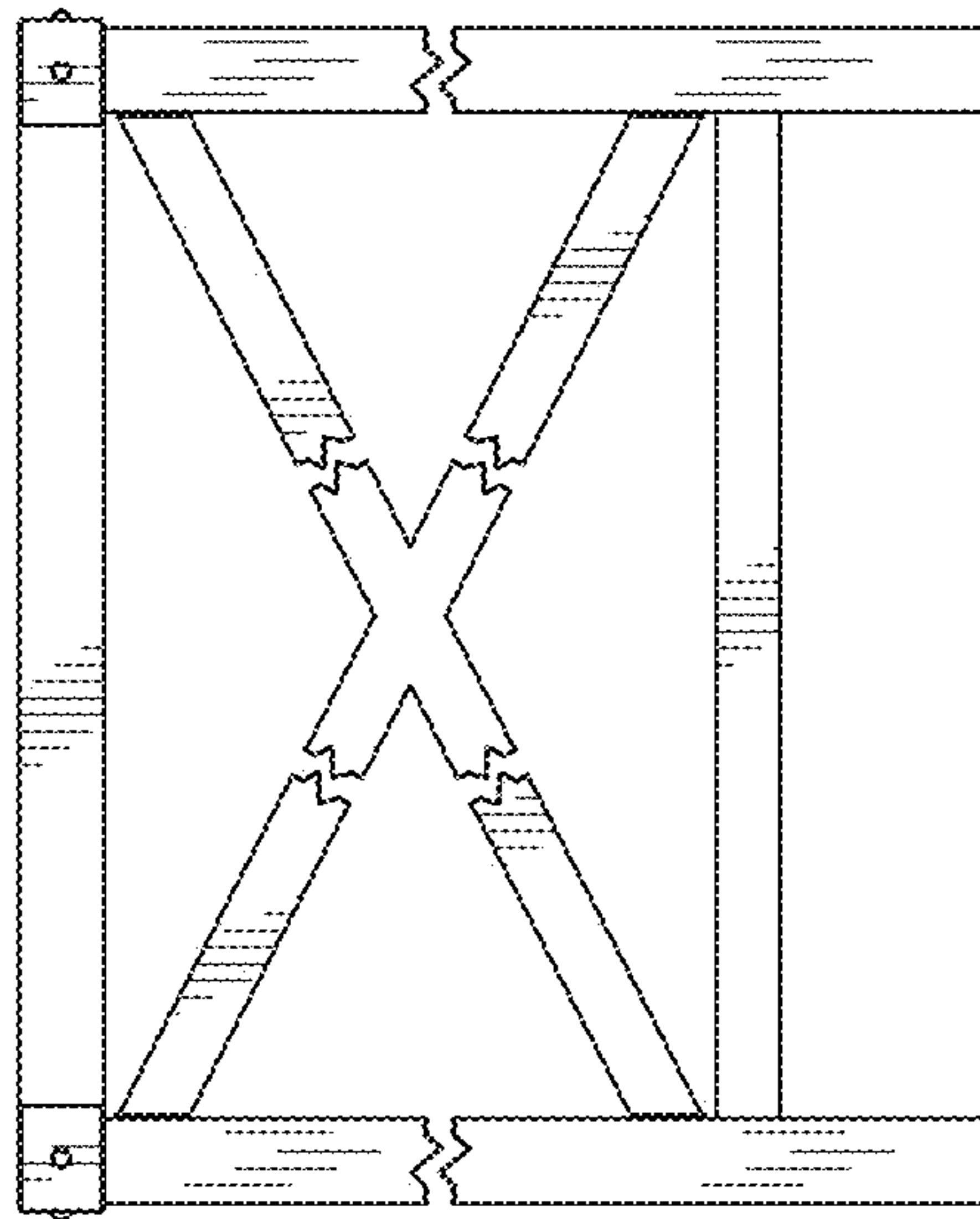


FIG. 7

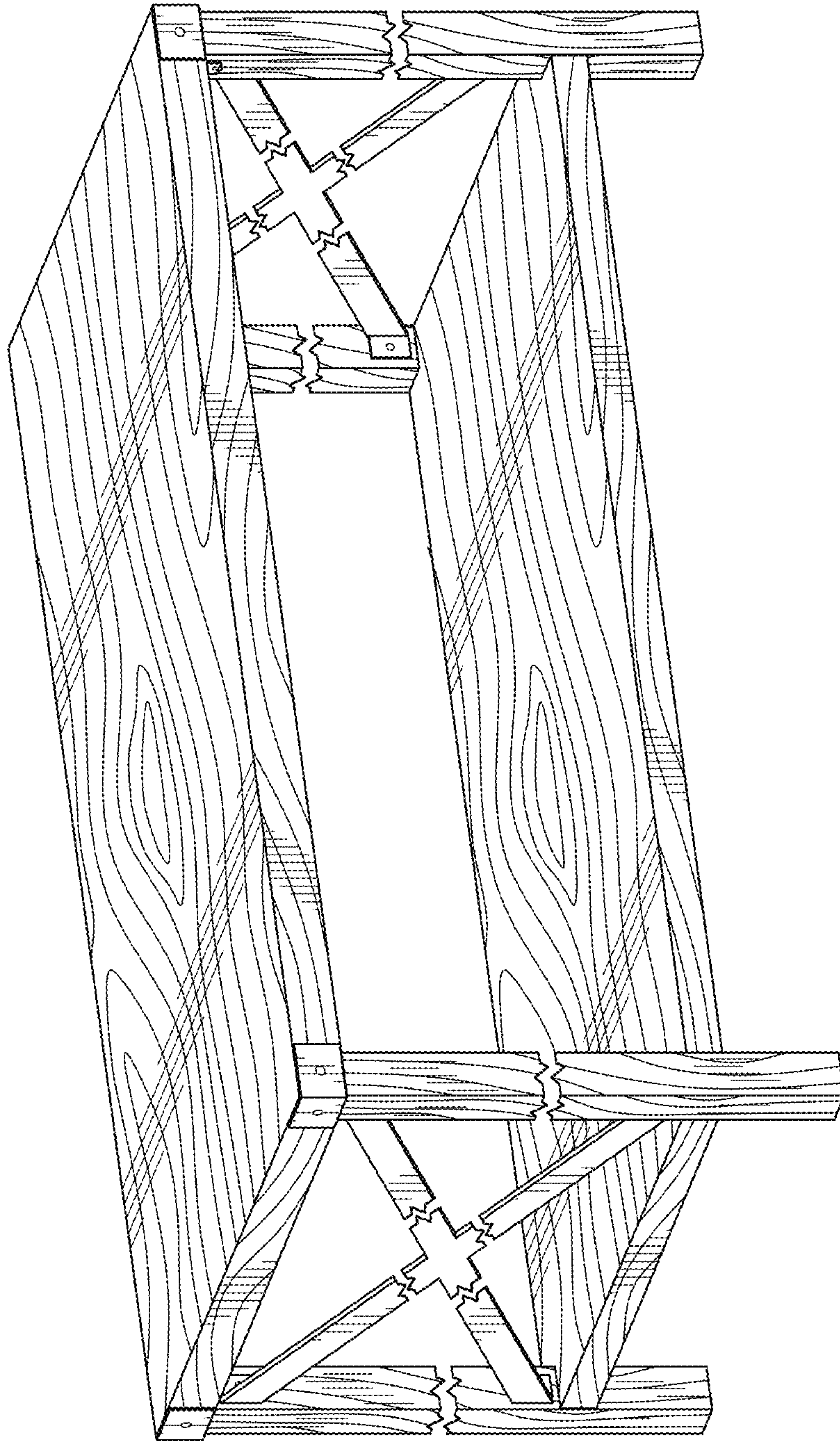


FIG. 8

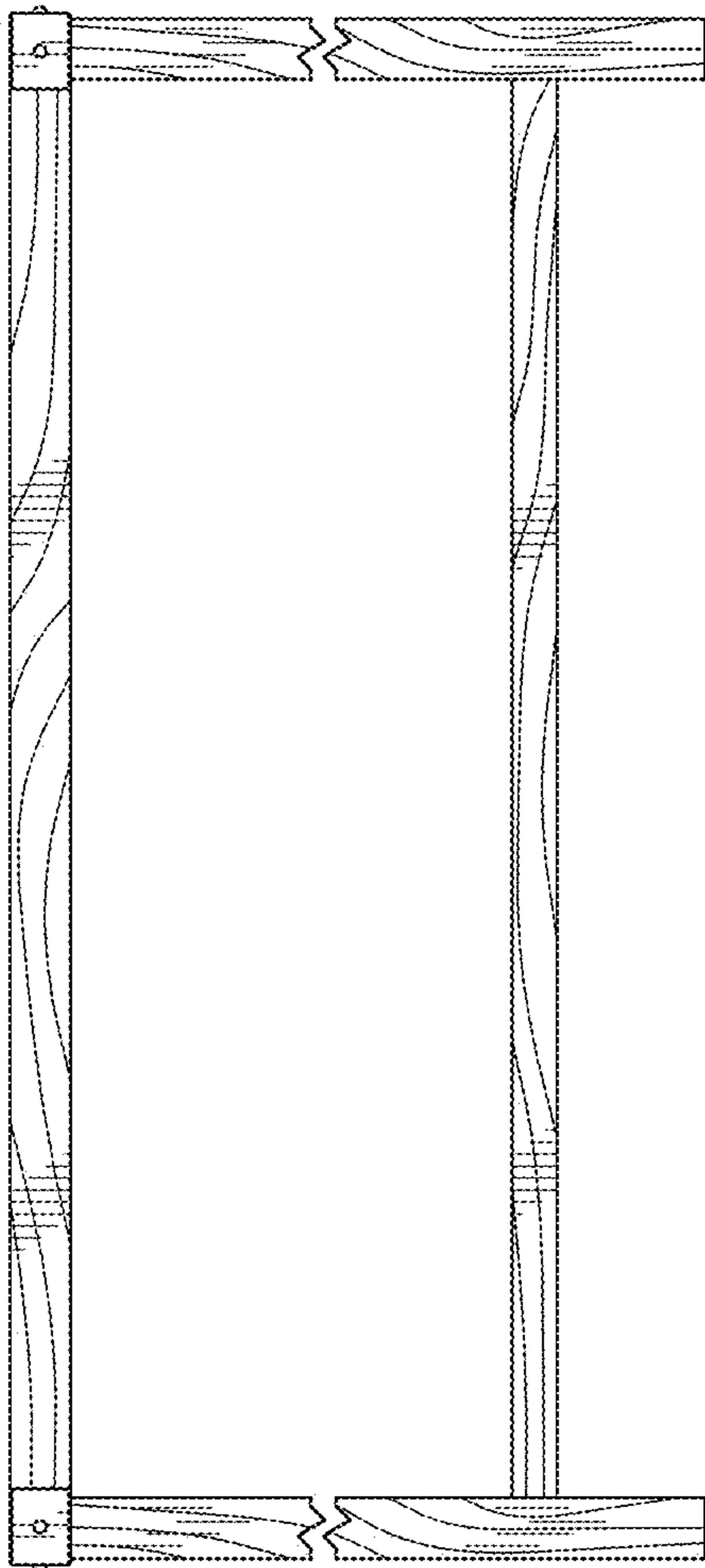


FIG. 9

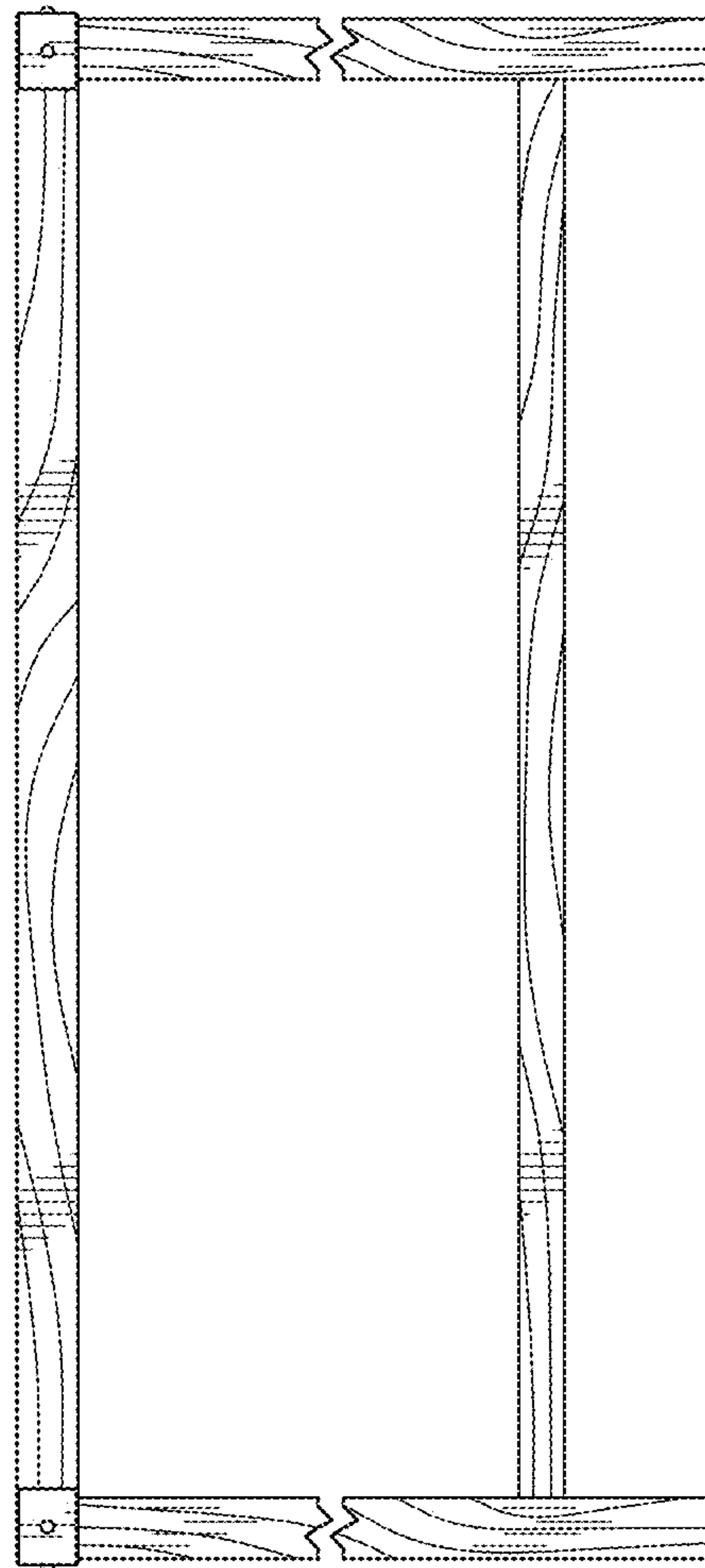


FIG. 10

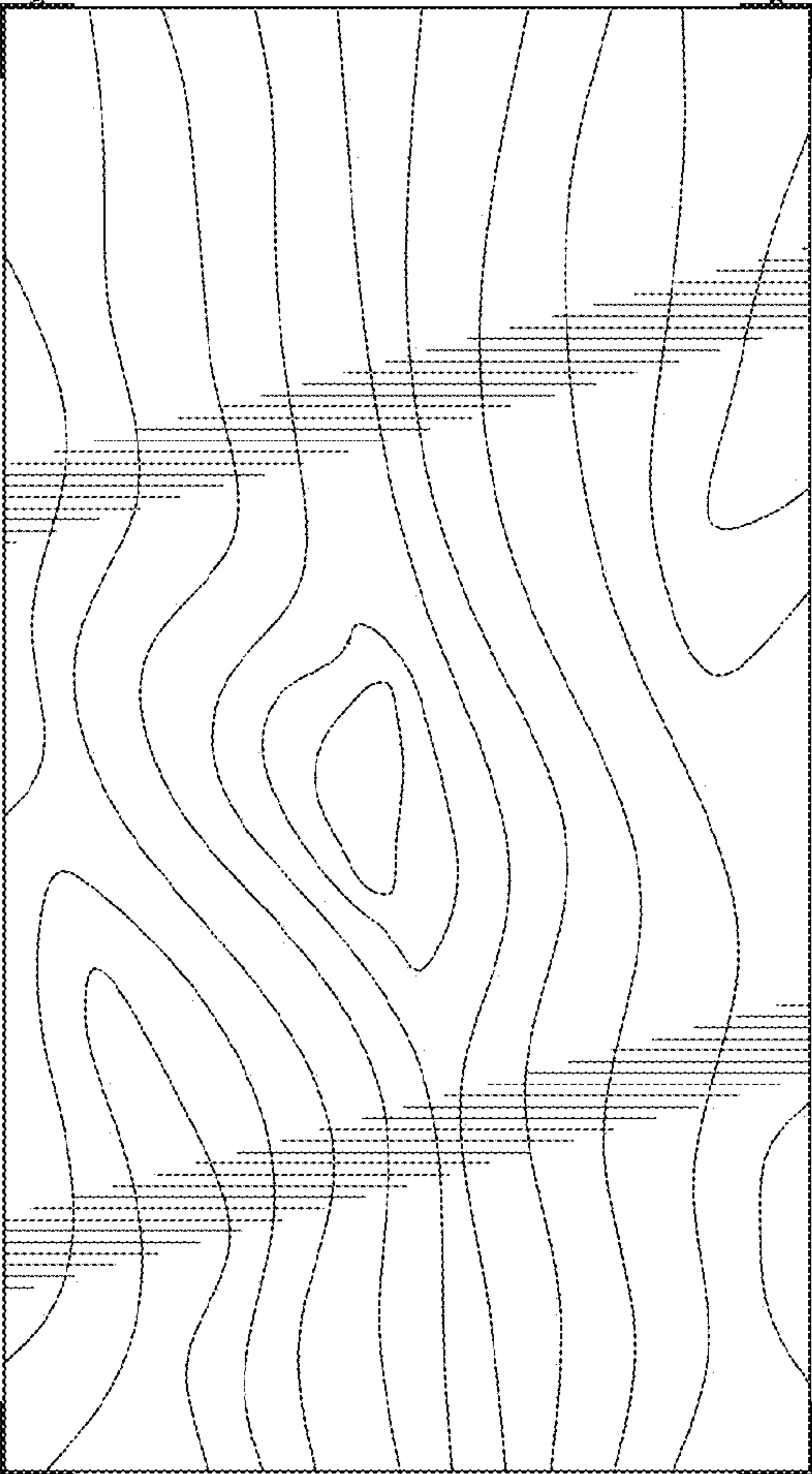


FIG. 11

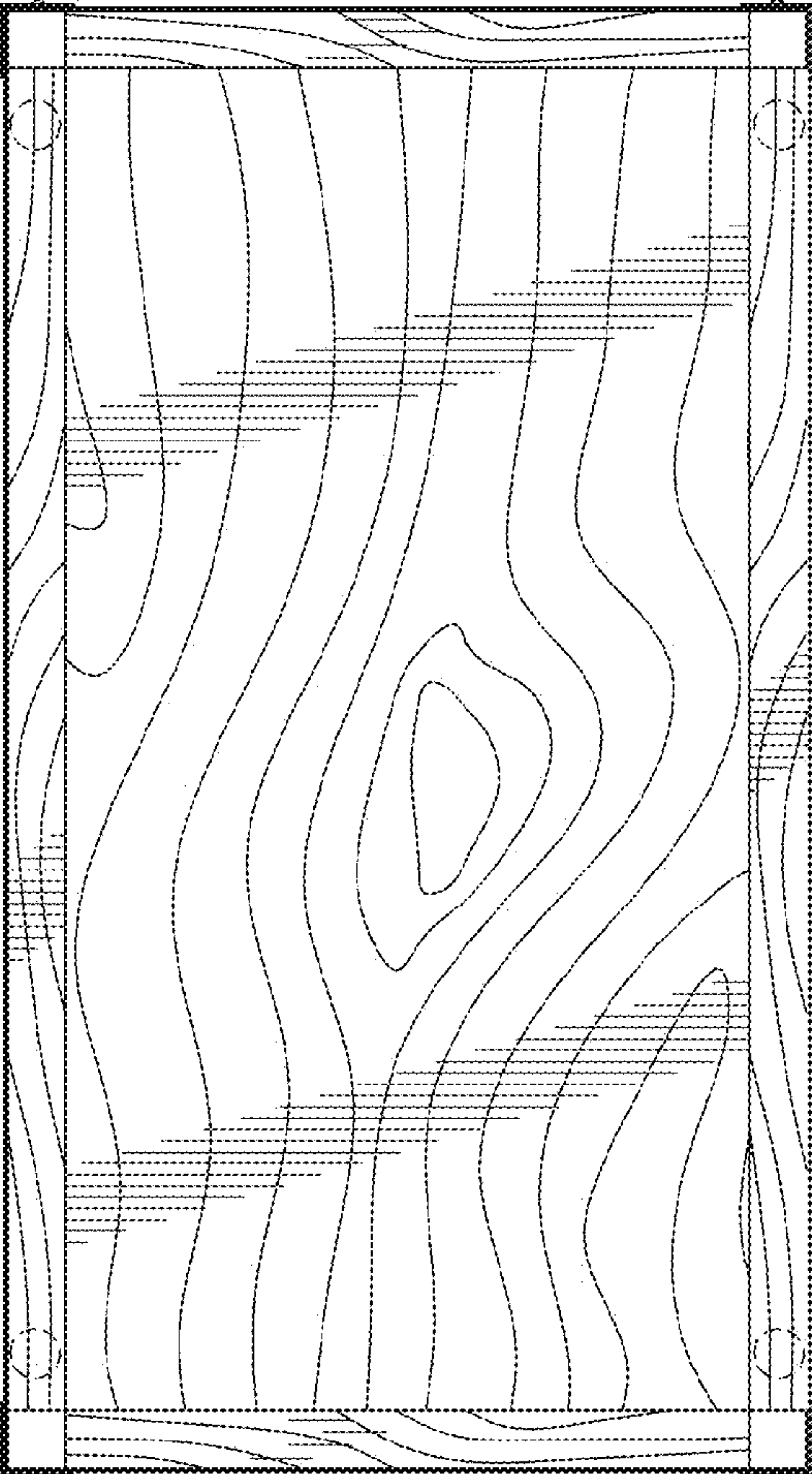


FIG. 12

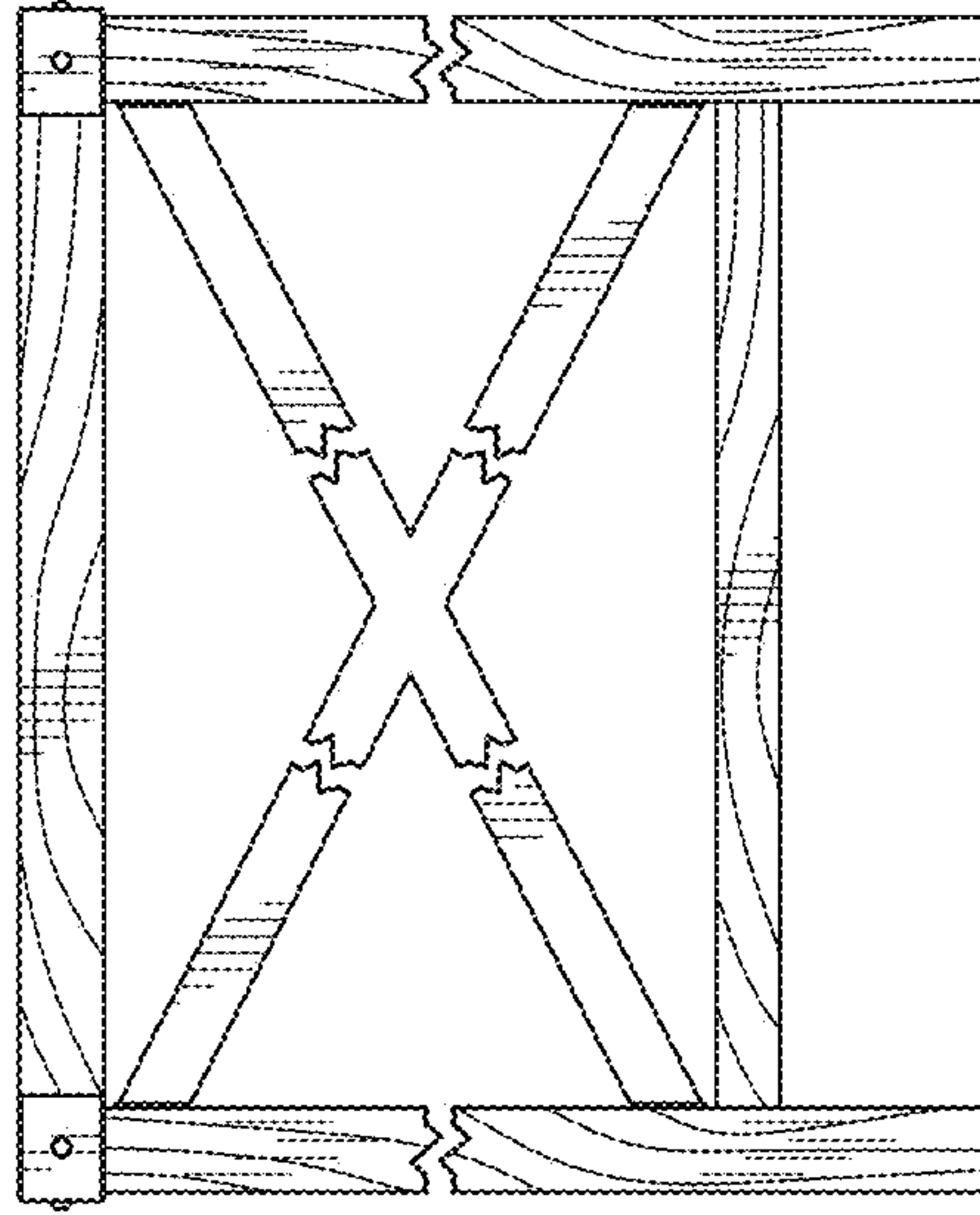


FIG. 14

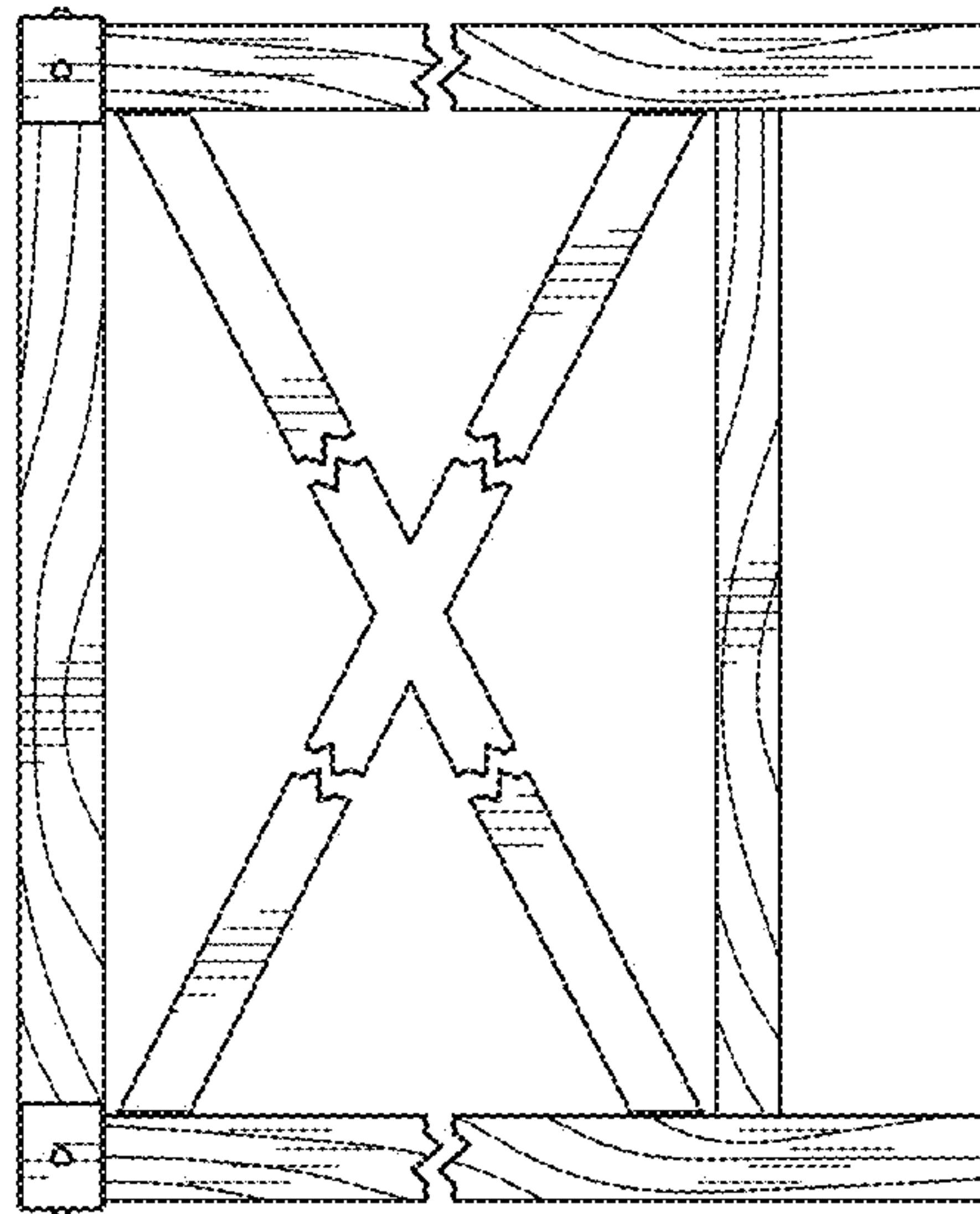


FIG. 13