



US00D916533S

(12) **United States Design Patent**
Huang

(10) **Patent No.:** **US D916,533 S**
(45) **Date of Patent:** **** Apr. 20, 2021**

- (54) **DESK**
- (71) Applicant: **NINGBO CHENXIN OPTOELECTRONIC CO., LTD,**
Ningbo (CN)
- (72) Inventor: **Hu'ai Huang,** Cixi (CN)
- (73) Assignee: **NINGBO CHENXIN OPTOELECTRONIC CO., LTD,**
Ningbo (CN)
- (**) Term: **15 Years**
- (21) Appl. No.: **29/747,695**
- (22) Filed: **Aug. 25, 2020**
- (51) **LOC (13) Cl.** **06-06**
- (52) **U.S. Cl.**
USPC **D6/656.16**
- (58) **Field of Classification Search**
USPC D6/641, 642, 656, 656.1, 656.13, 656.14,
D6/656.16–656.19, 691
CPC A47B 7/00; A47B 13/00; A47B 13/02;
A47B 13/04; A47B 13/06; A47B 13/08;
A47B 13/10; A47B 13/12; A47B 17/00;
A47B 17/003; A47B 17/006; A47B
17/033; A47B 17/06; A47B 21/00; A47B
21/0314; A47B 2021/0301; A47B
2021/0321; A47B 2021/0335; A47B
2021/0364; A47B 2200/0001; A47B
2200/0011; A47B 2200/0002; A47B
2200/0003; A47B 2200/0004; A47B
2200/002; A47B 2200/0027; A47B
2200/0029; A47B 2200/003
See application file for complete search history.

(56) **References Cited**
U.S. PATENT DOCUMENTS

- D299,798 S * 2/1989 Sottsas D6/656.16
- D322,729 S * 12/1991 Diffrient D6/656.17

- D730,668 S * 6/2015 Fletcher D6/707.22
- D781,618 S * 3/2017 Flaherty D6/655
- D784,049 S * 4/2017 Labrosse D6/650
- D819,370 S * 6/2018 Lenhart A47B 21/02
D6/656.13
- D861,382 S * 10/2019 Hu D6/656.11
- D865,405 S 11/2019 Hu
- D877,544 S * 3/2020 Hu D6/656.16
- D878,815 S * 3/2020 Peng D6/656
- D879,514 S * 3/2020 Goldberg D6/656.16
- D889,169 S 7/2020 Hu
- D908,402 S * 1/2021 Jenkins D6/656.17
- 2019/0328130 A1 * 10/2019 Egger A47B 21/02

(Continued)

OTHER PUBLICATIONS

Walnew 55 Inch Y-Shape Frame Gaming Desk—Walmart <https://www.walmart.com/ip/Walnew-55-Inch-Y-Shape-Frame-Gaming-Desk-Modern-Style-Racing-Desk-With-Full-Piece-Of-Mouse-Pad-Cup-Holder-And-Headphone-Hook-Black/895134041> retrieved from the internet on Mar. 2, 2021.*

(Continued)

Primary Examiner — Mary Ann Calabrese

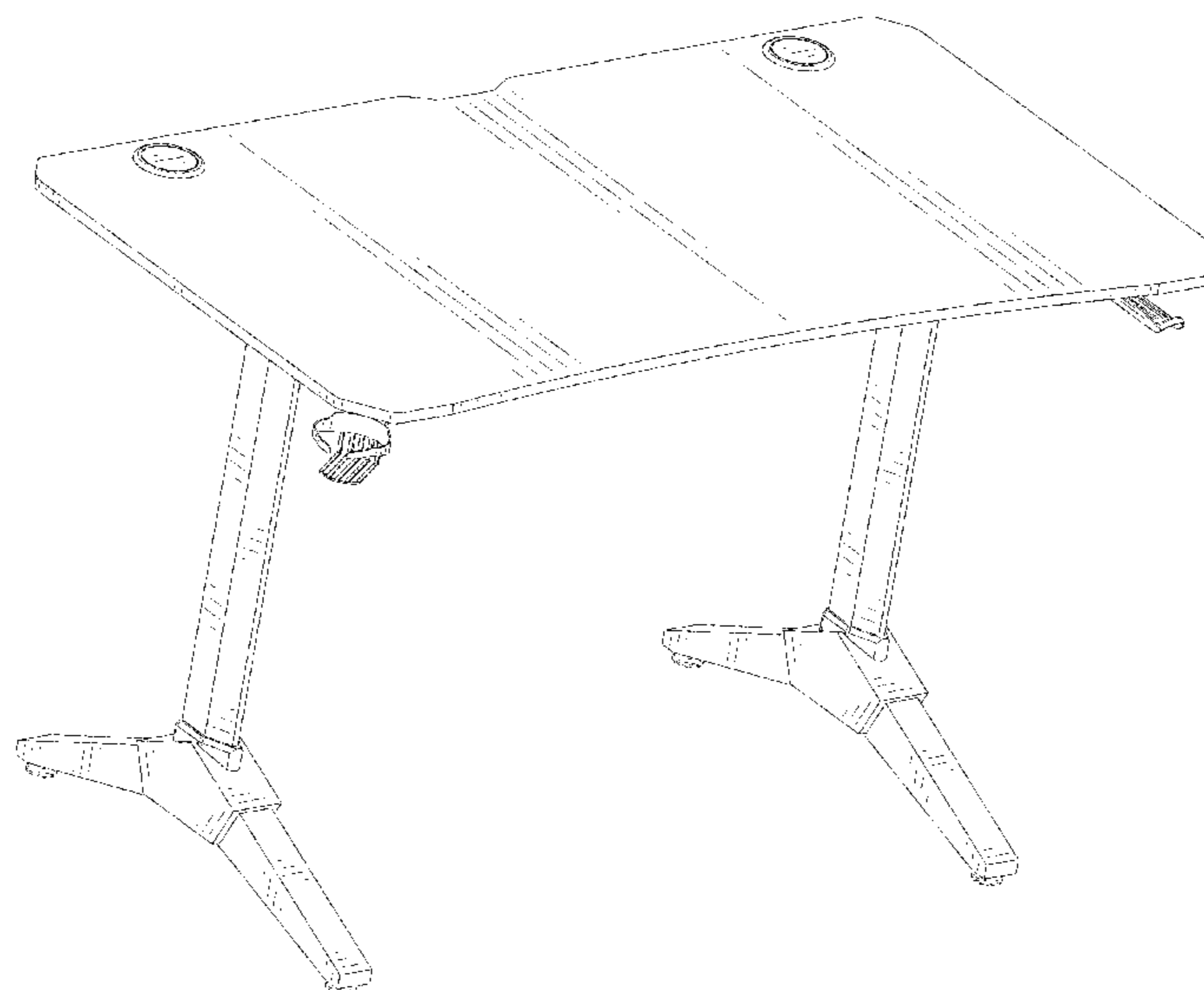
(57) **CLAIM**

The ornamental design for a desk, as shown and described.

DESCRIPTION

FIG. 1 is a top front perspective view of a desk showing my new design;
FIG. 2 is a bottom rear perspective view thereof;
FIG. 3 is a front elevational view thereof;
FIG. 4 is a rear elevational view thereof;
FIG. 5 is a left side elevational view thereof;
FIG. 6 is a right side elevational view thereof;
FIG. 7 is a top plan view thereof; and,
FIG. 8 is a bottom plan view thereof.
The broken lines in the drawings depict portions of the desk that form no part of the claimed design.

1 Claim, 8 Drawing Sheets



(56)

References Cited

U.S. PATENT DOCUMENTS

2020/0275772 A1* 9/2020 Goldberg A47B 9/04

OTHER PUBLICATIONS

Inbox Zero Gaming Desk—Wayfare <https://www.wayfair.com/furniture/pdp/inbox-zero-gaming-desk-w004032743.html> retrieved from the internet on Mar. 2, 2021.*

AKRACING Gaming Desk Red—AKRacing <https://www.akracing.com/product/akracing-gaming-desk-red/> retrieved from the internet on Jan. 14, 2020.*

* cited by examiner

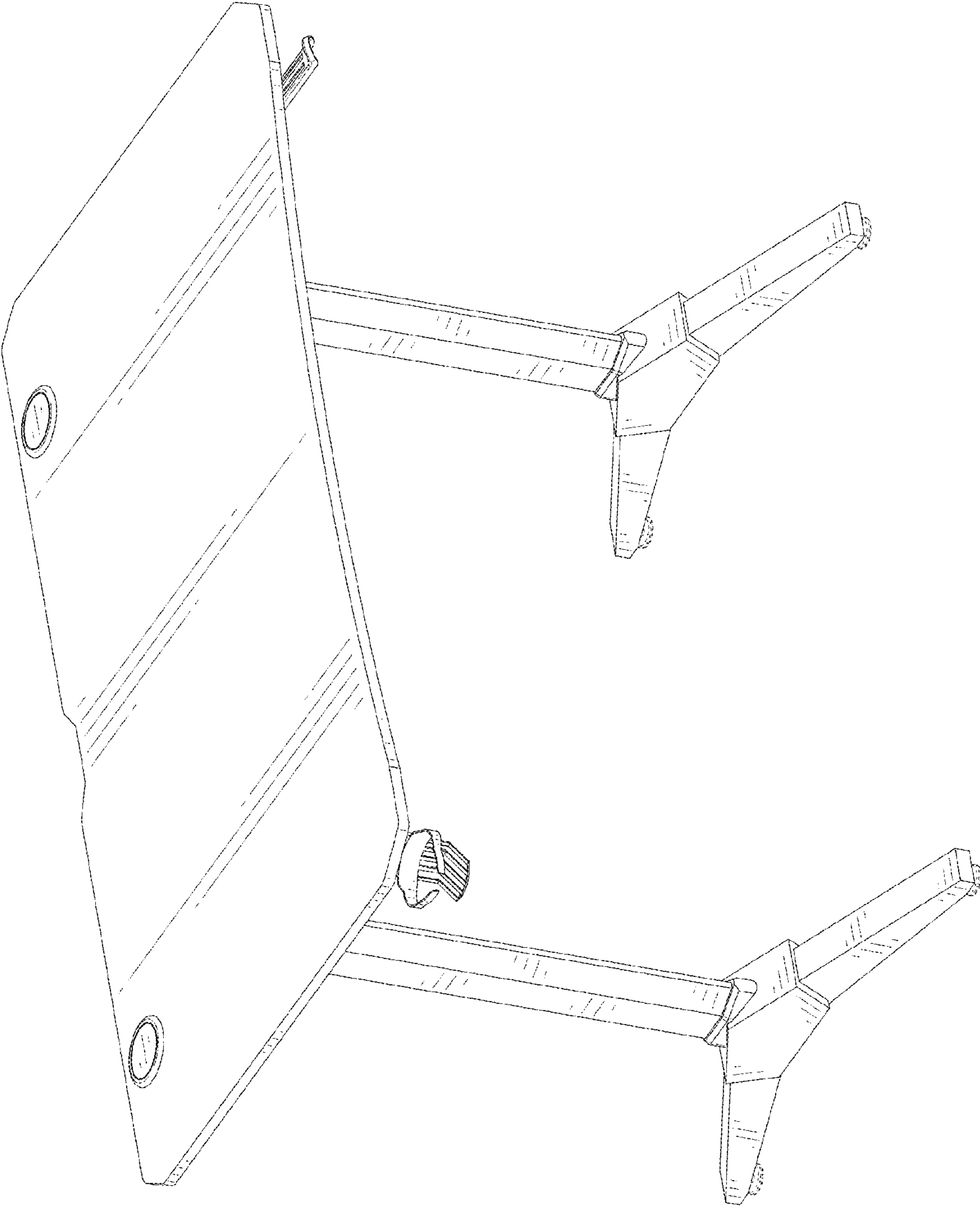


FIG. 1

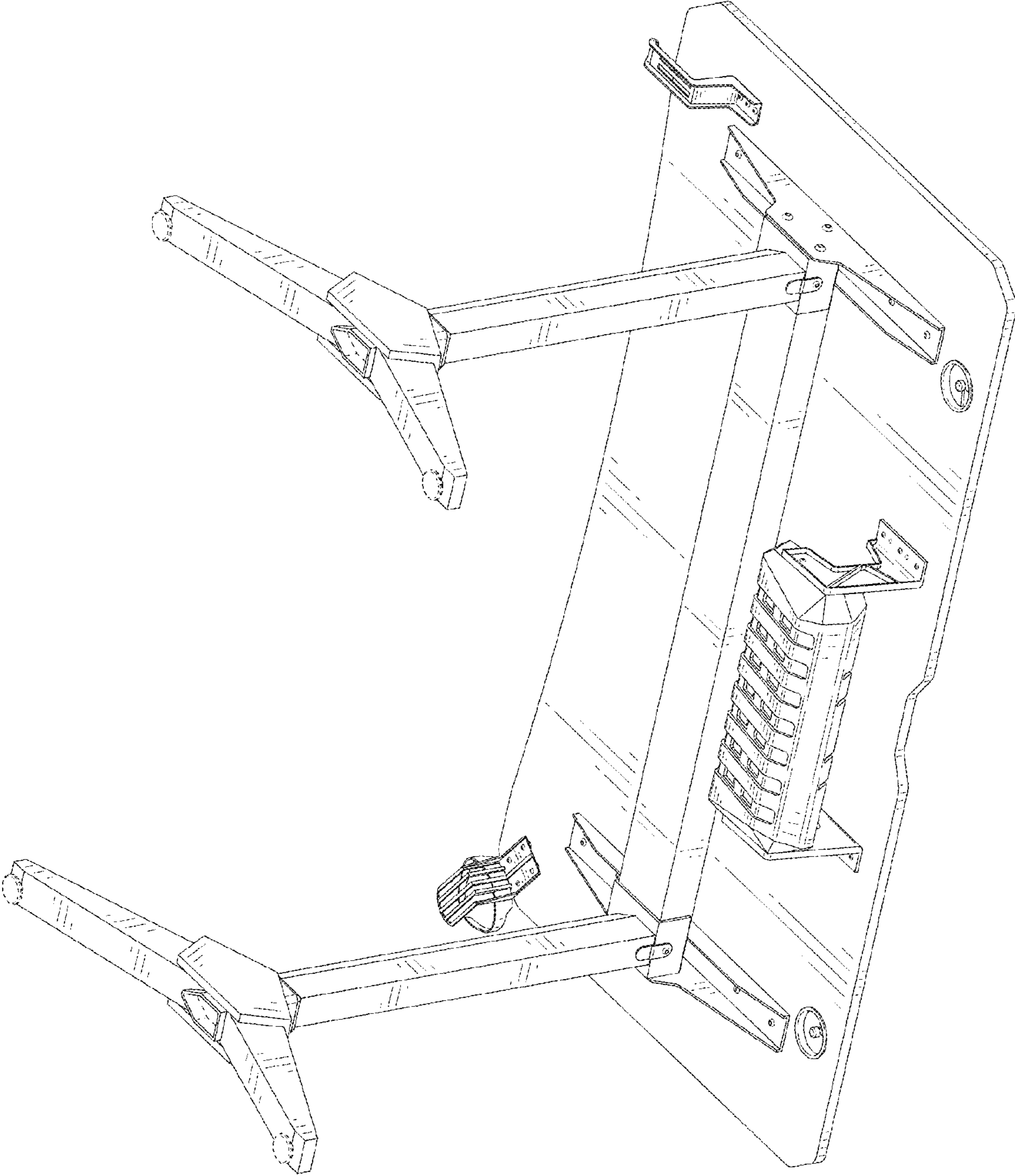


FIG. 2

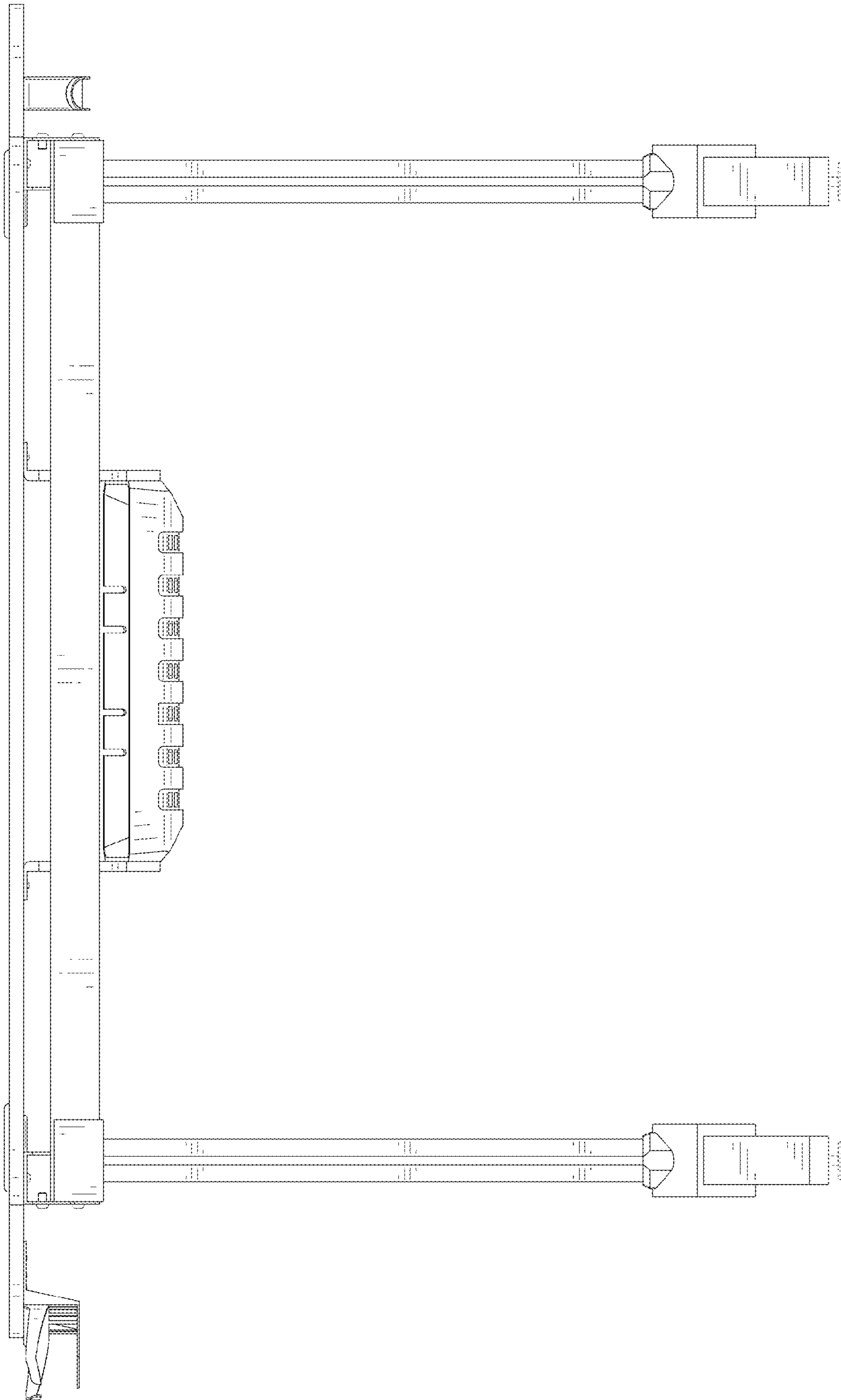


FIG. 3

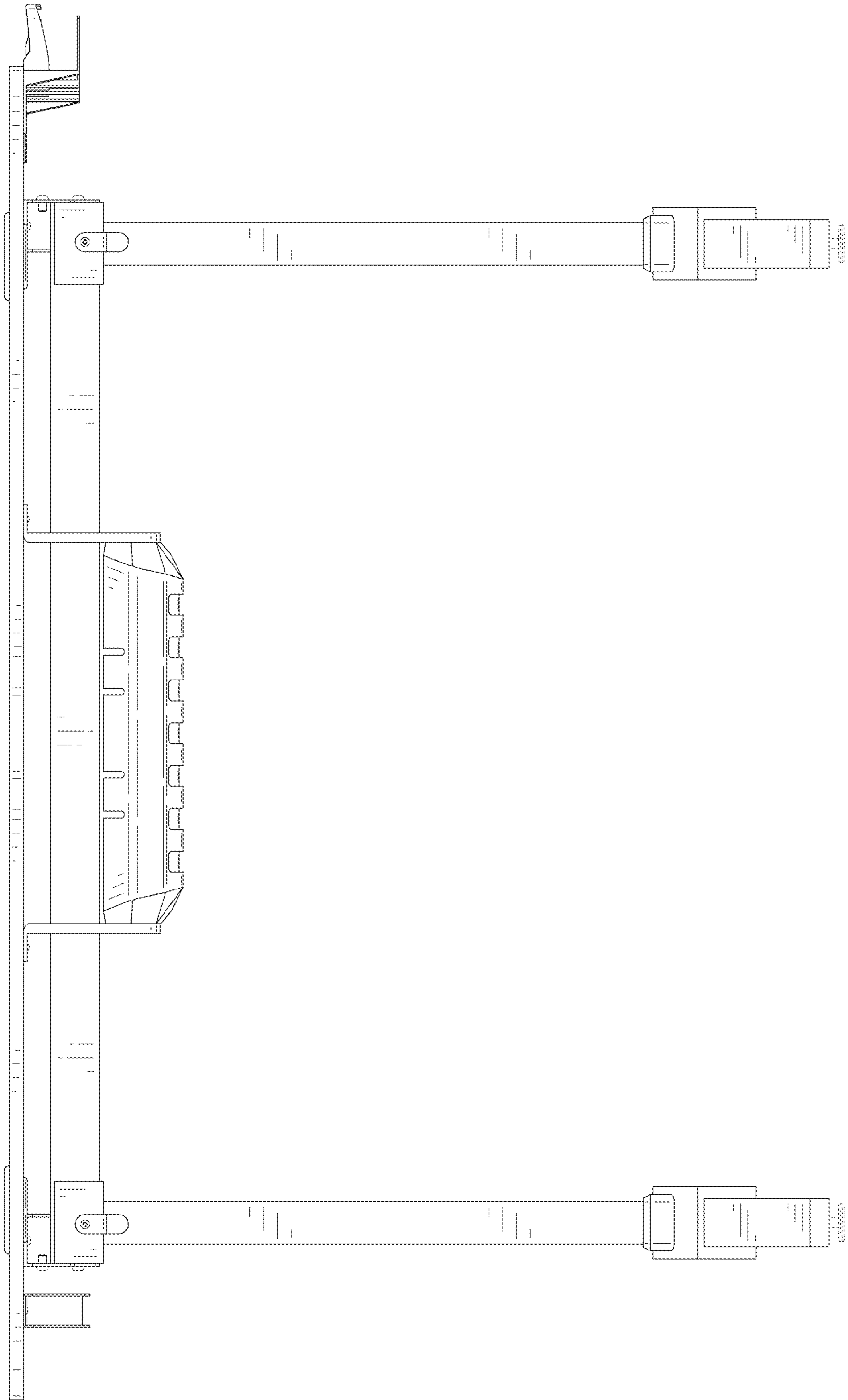


FIG. 4

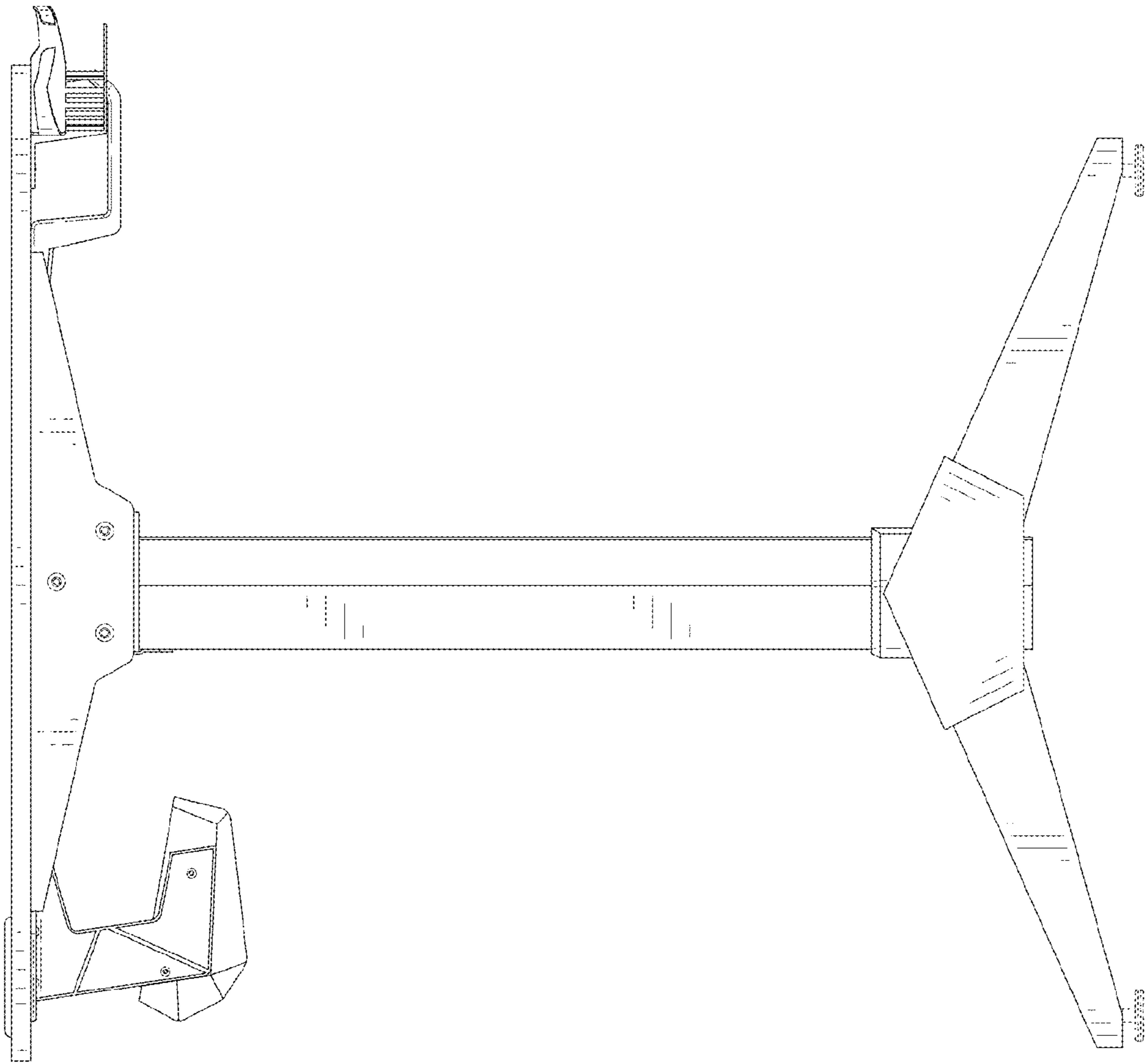


FIG. 5

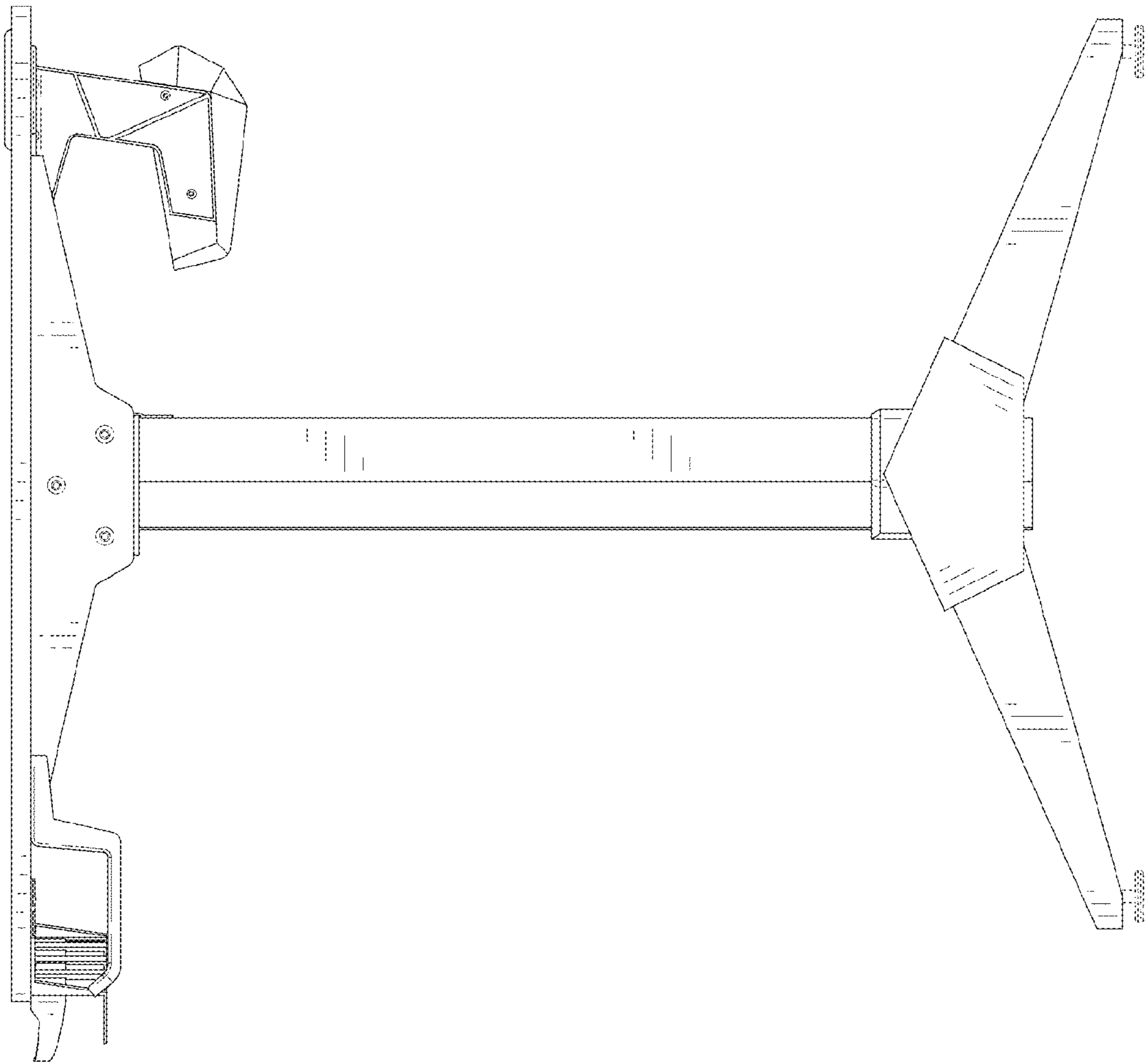


FIG. 6

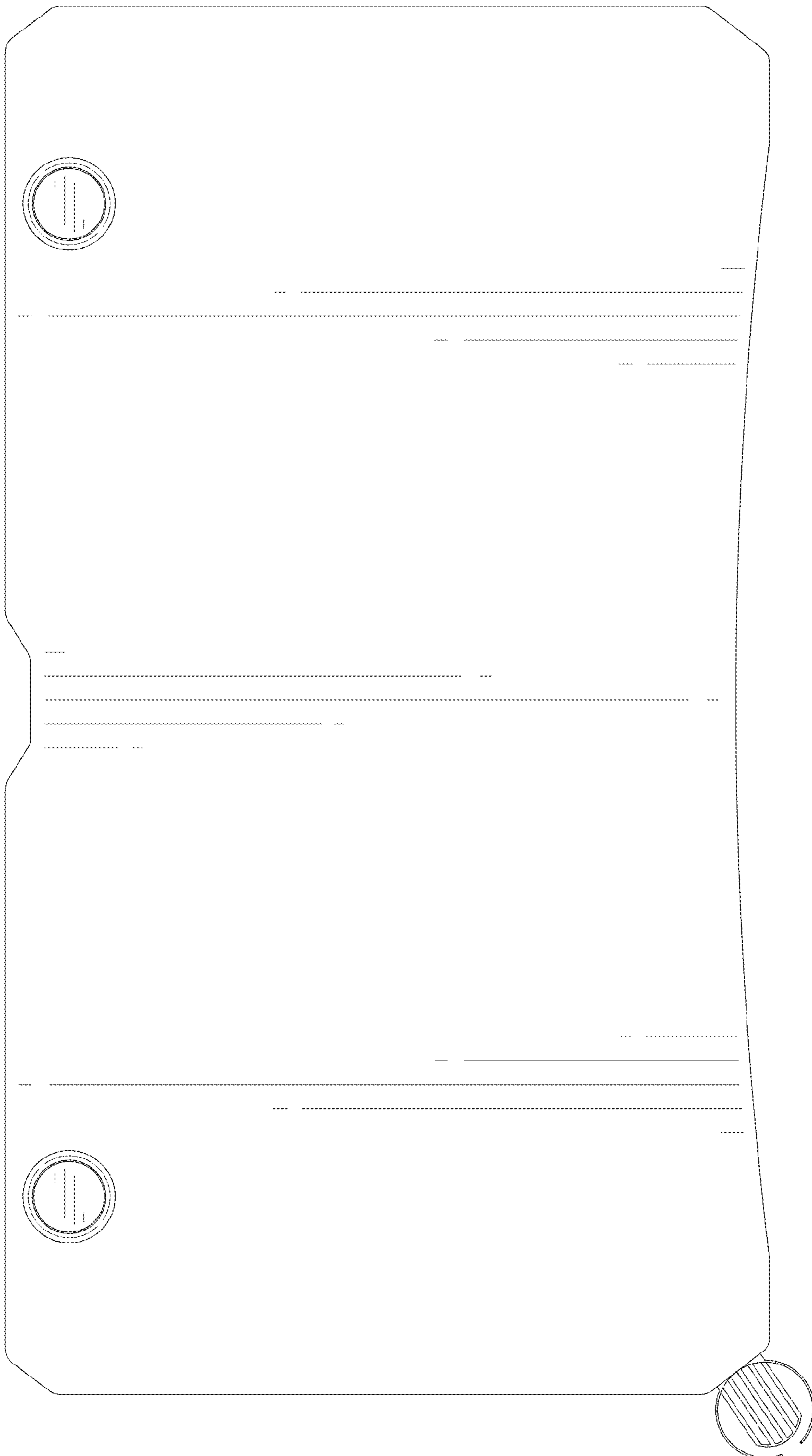


FIG. 7

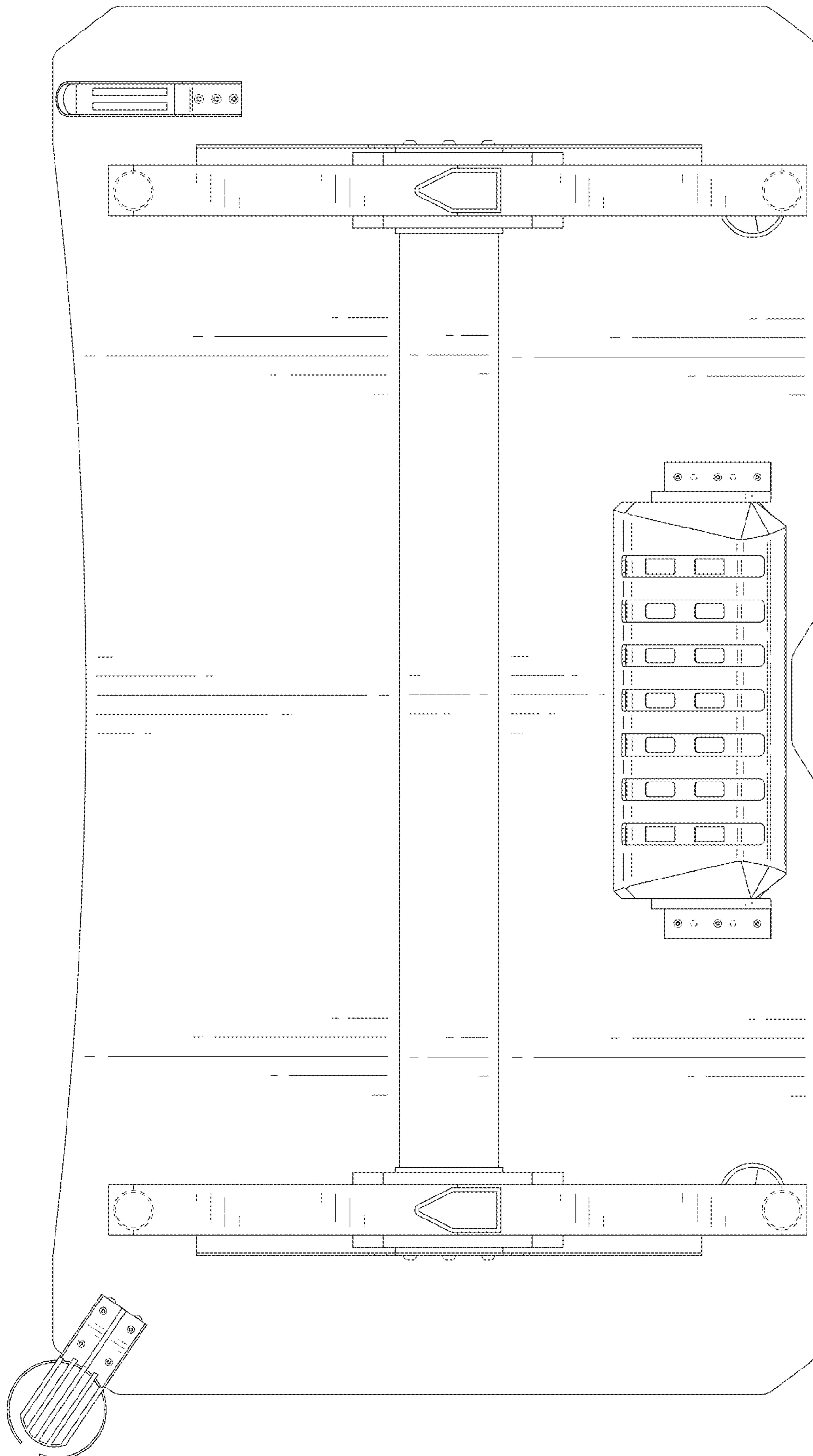


FIG. 8