

US00D916532S

(12) **United States Design Patent** (10) **Patent No.:** **US D916,532 S**
Chen (45) **Date of Patent:** **** Apr. 20, 2021**

(54) **DESK**
(71) Applicant: **NINGBO TUOZE ELECTRONIC TECHNOLOGY CO., LTD.**, Ningbo (CN)
(72) Inventor: **Liming Chen**, Suizhou (CN)
(73) Assignee: **NINGBO TUOZE ELECTRONIC TECHNOLOGY CO., LTD.**, Ningbo (CN)

D795,619 S 8/2017 Labrosse et al.
D819,370 S * 6/2018 Lenhart A47B 9/00
D6/656.13
D825,968 S 8/2018 Yamamoto
D846,314 S * 4/2019 Dardashti D6/653.11
D861,382 S * 10/2019 Hu D6/656.11
D865,405 S * 11/2019 Hu D6/656.16
D875,442 S * 2/2020 Duan D6/656.16
D878,815 S * 3/2020 Peng D6/656
2017/0290415 A1 * 10/2017 Hsu A47B 13/081
2018/0000240 A1 * 1/2018 Yamamoto A47B 9/00
(Continued)

(**) Term: **15 Years**

(21) Appl. No.: **29/746,981**

(22) Filed: **Aug. 19, 2020**

(51) **LOC (13) Cl.** **06-03**

(52) **U.S. Cl.**
USPC **D6/656.16**

(58) **Field of Classification Search**
USPC D6/641, 642, 656, 656.1, 656.13, 656.14, D6/656.16-656.19, 691
CPC A47B 7/00; A47B 13/00; A47B 13/02; A47B 13/04; A47B 13/06; A47B 13/08; A47B 13/10; A47B 13/12; A47B 17/00; A47B 17/003; A47B 17/006; A47B 17/033; A47B 17/06; A47B 21/00; A47B 21/0314; A47B 2021/0301; A47B 2021/0321; A47B 2021/0335; A47B 2021/0364; A47B 2200/0001; A47B 2200/0011; A47B 2200/0002; A47B 2200/0003; A47B 2200/0004; A47B 2200/002; A47B 2200/0027; A47B 2200/0029; A47B 2200/0031
See application file for complete search history.

(56) **References Cited**

U.S. PATENT DOCUMENTS

D781,618 S * 3/2017 Flaherty D6/655
D784,049 S * 4/2017 Labrosse D6/650

OTHER PUBLICATIONS

Inbox Zero Gaming Desk—Wayfare <https://www.wayfair.com/furniture/pdp/inbox-zero-gaming-desk-w004032743.html> retrieved from the internet on Mar. 2, 2021.*

(Continued)

Primary Examiner — Mary Ann Calabrese

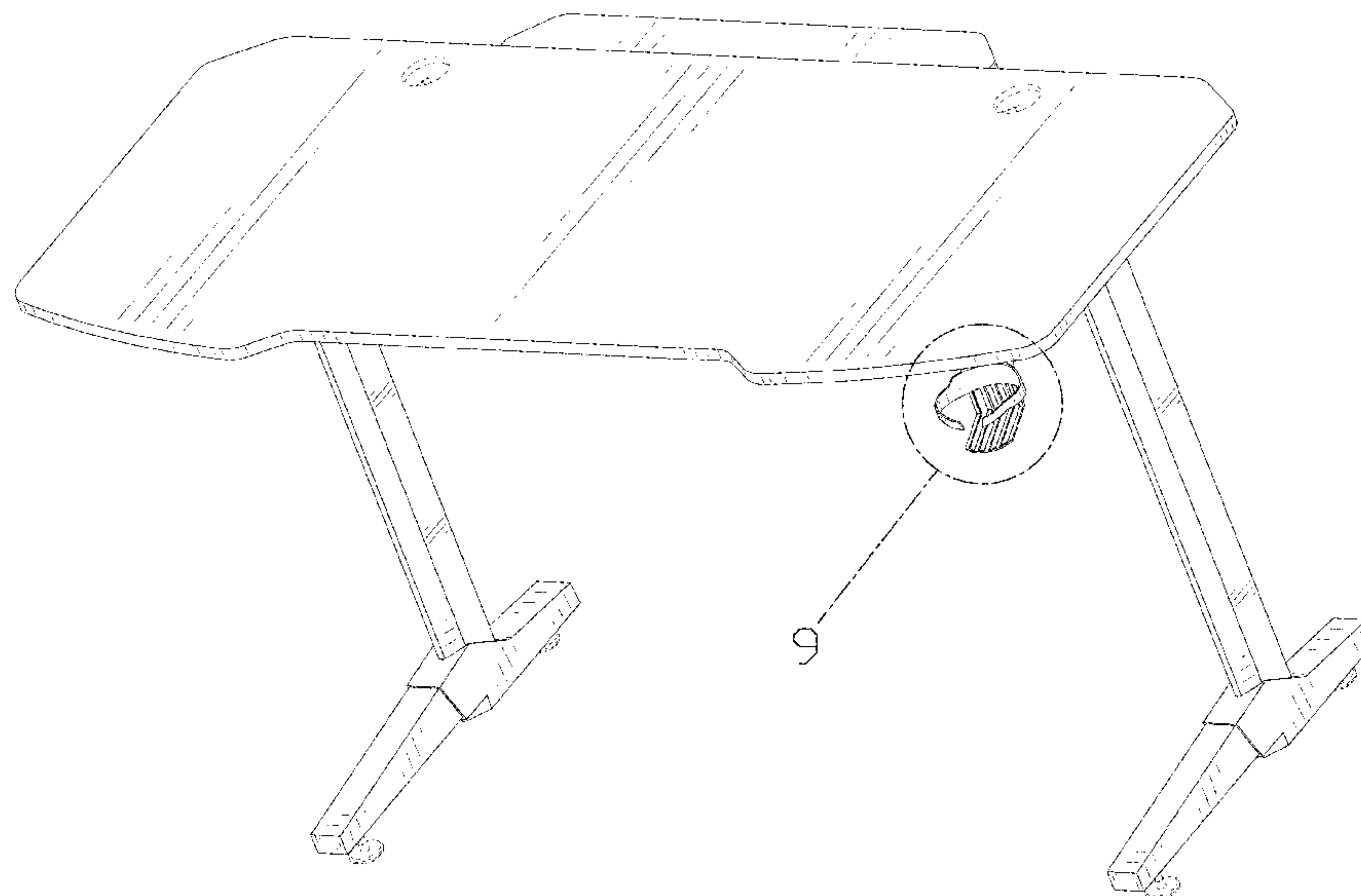
(57) **CLAIM**

The ornamental design for a desk, as shown and described.

DESCRIPTION

FIG. 1 is a top front perspective view of a desk showing my new design;
FIG. 2 is a bottom rear perspective view thereof;
FIG. 3 is a front elevational view thereof;
FIG. 4 is a rear elevational view thereof;
FIG. 5 is a left side elevational view thereof;
FIG. 6 is a right side elevational view thereof;
FIG. 7 is a top plan view thereof;
FIG. 8 is a bottom plan view thereof; and,
FIG. 9 is an enlarged detail view of the encircled area 9 shown in FIG. 1.
The broken lines in the drawings depict portions of the desk that form no part of the claimed design.

1 Claim, 9 Drawing Sheets



(56)

References Cited

U.S. PATENT DOCUMENTS

2018/0177289 A1* 6/2018 Chen A47B 21/0314
2020/0315324 A1* 10/2020 Fox A47B 9/20

OTHER PUBLICATIONS

Viper Gaming Desk—Target <https://www.target.com/p/viper-gaming-desk-black-atlantic/-/A-54586393> retrieved from th internet on Mar. 2, 2021.*

Walnew 55 Inch Y-Shape Frame Gaming Desk—Walmart <https://www.walmart.com/ip/Walnew-55-Inch-Y-Shape-Frame-Gaming-Desk-Modern-Style-Racing-Desk-With-Full-Piece-Of-Mouse-Pad-Cup-Holder-And-Headphone-Hook-Black/895134041> retrieved from th internet on Mar. 2, 2021.*

* cited by examiner

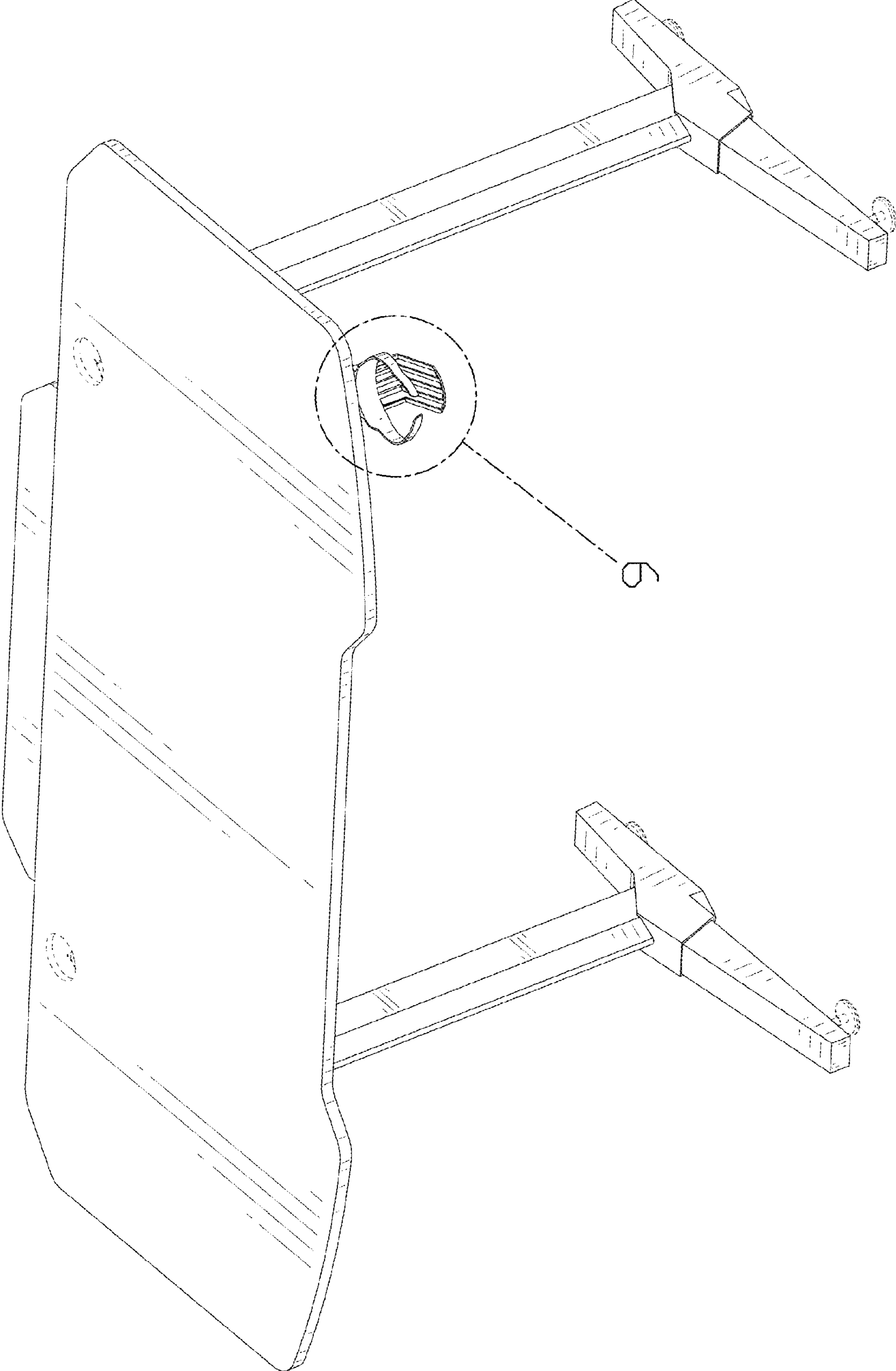


FIG. 1

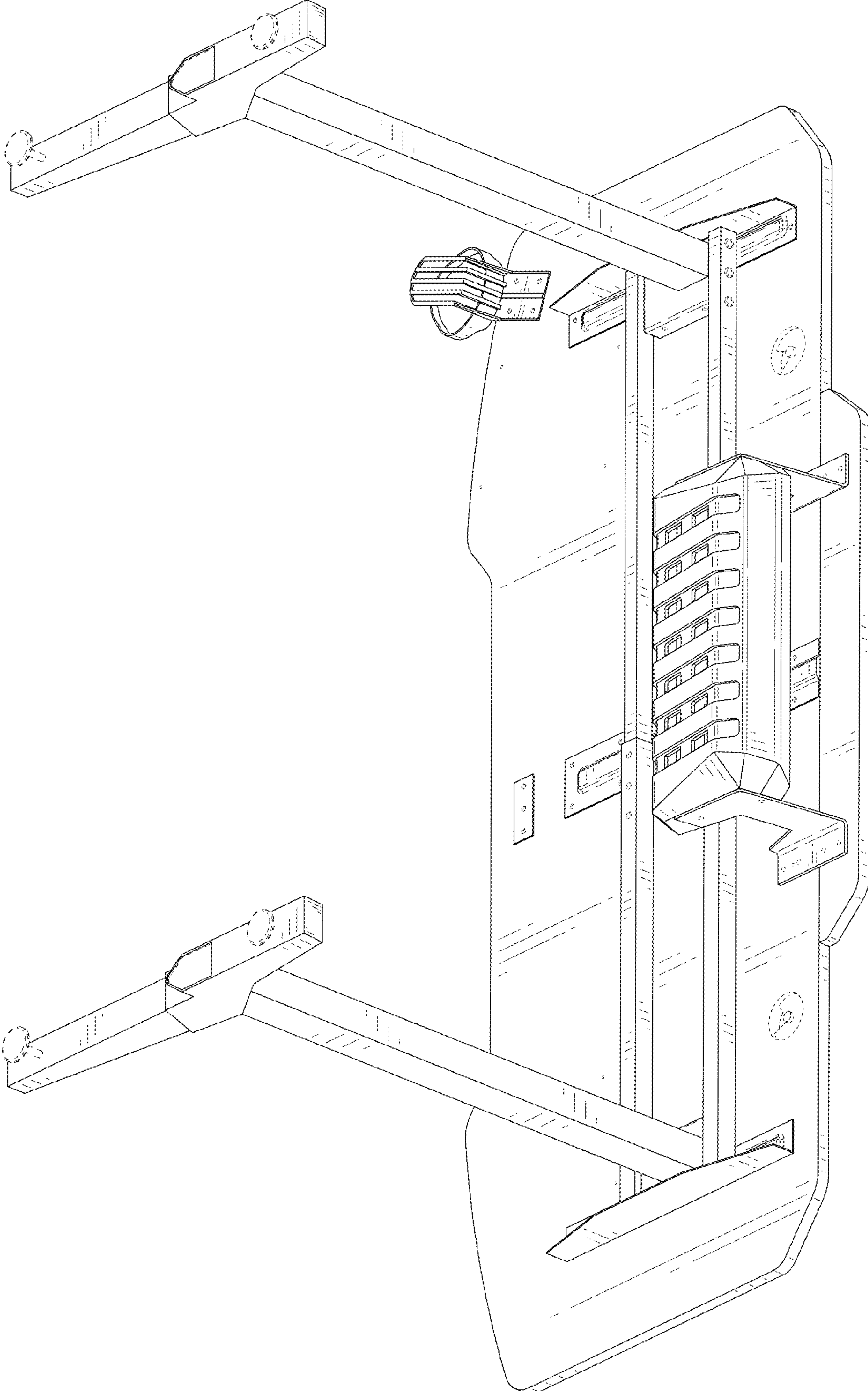


FIG. 2

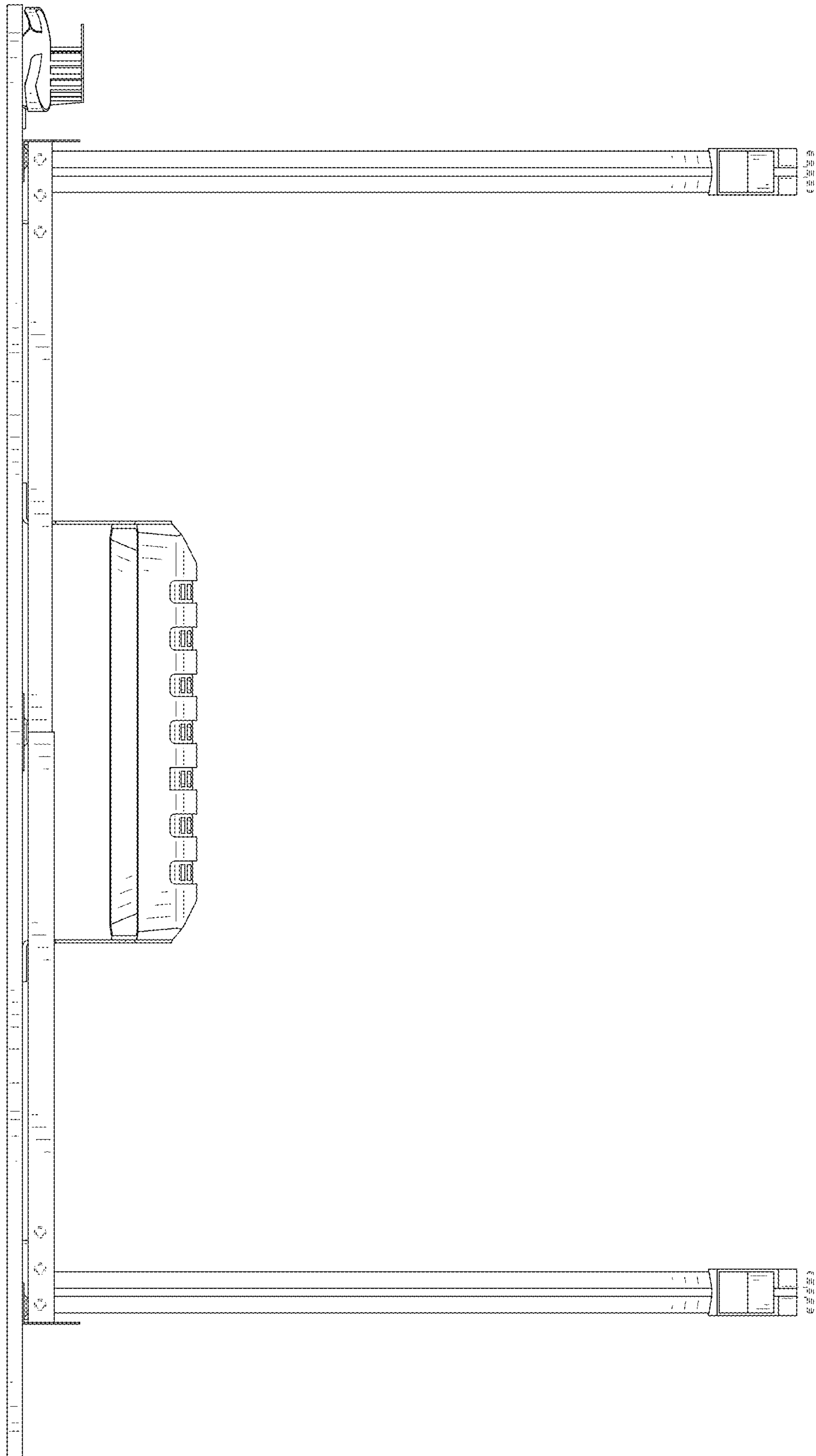


FIG. 3

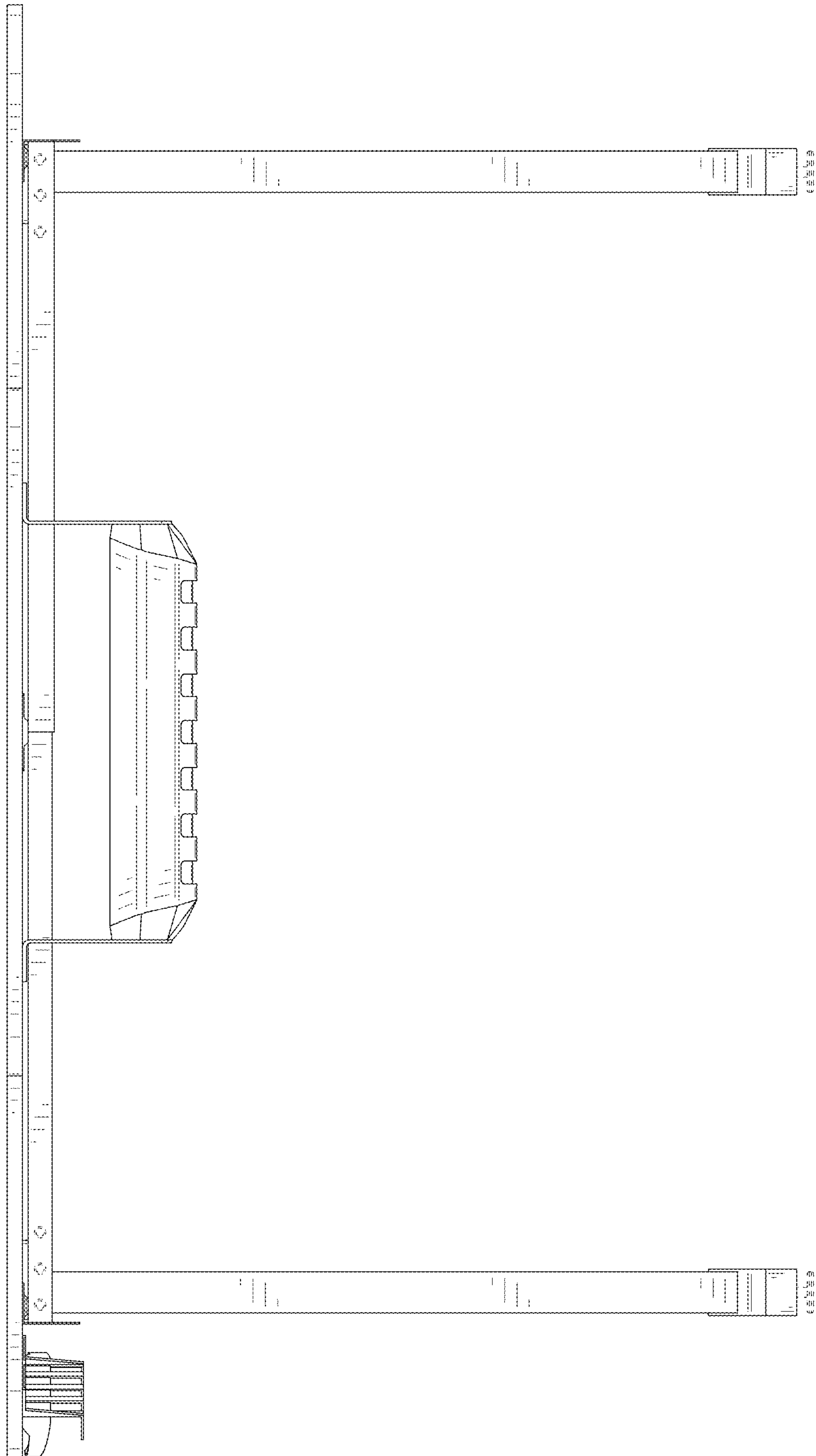


FIG. 4

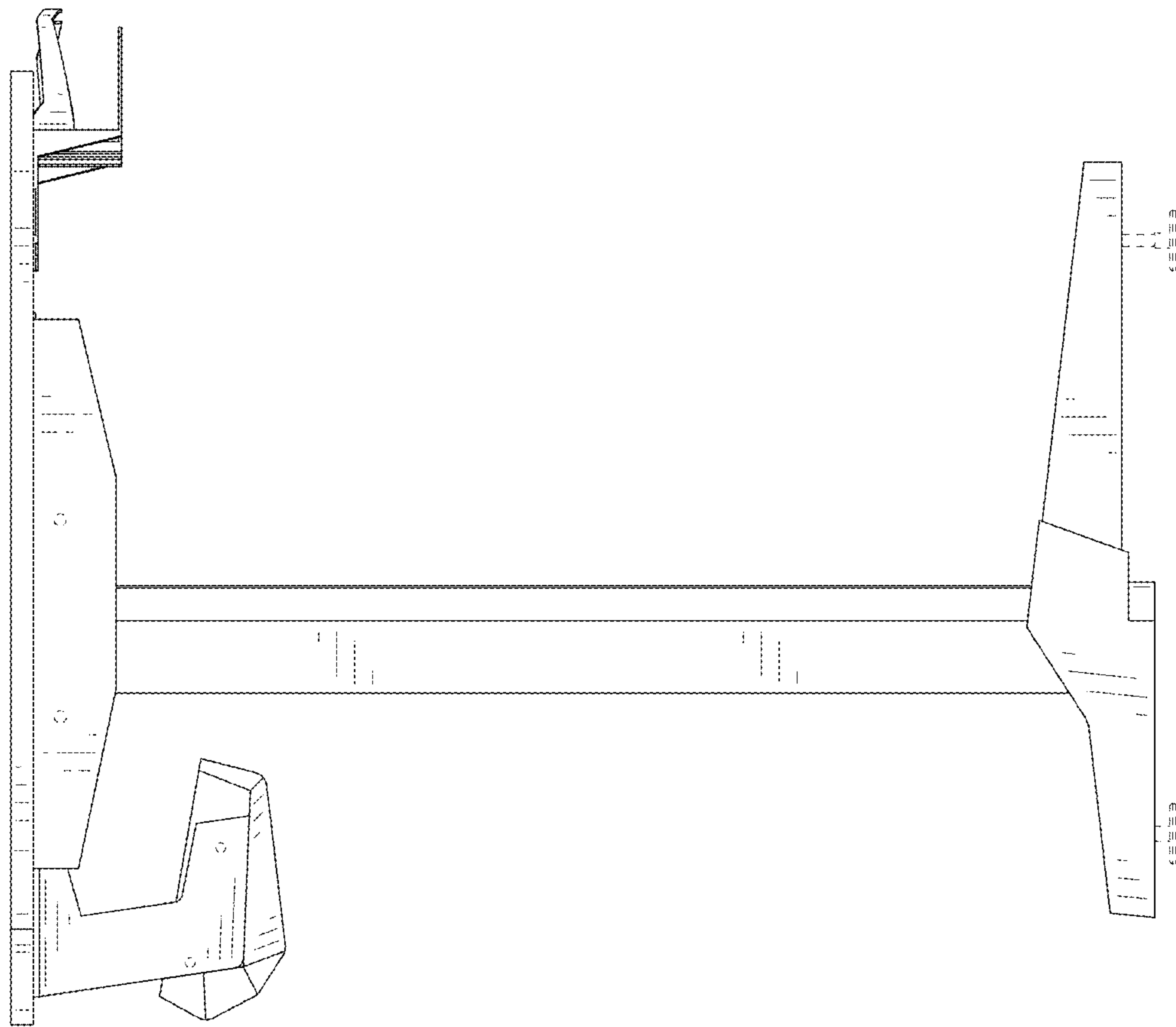


FIG. 5

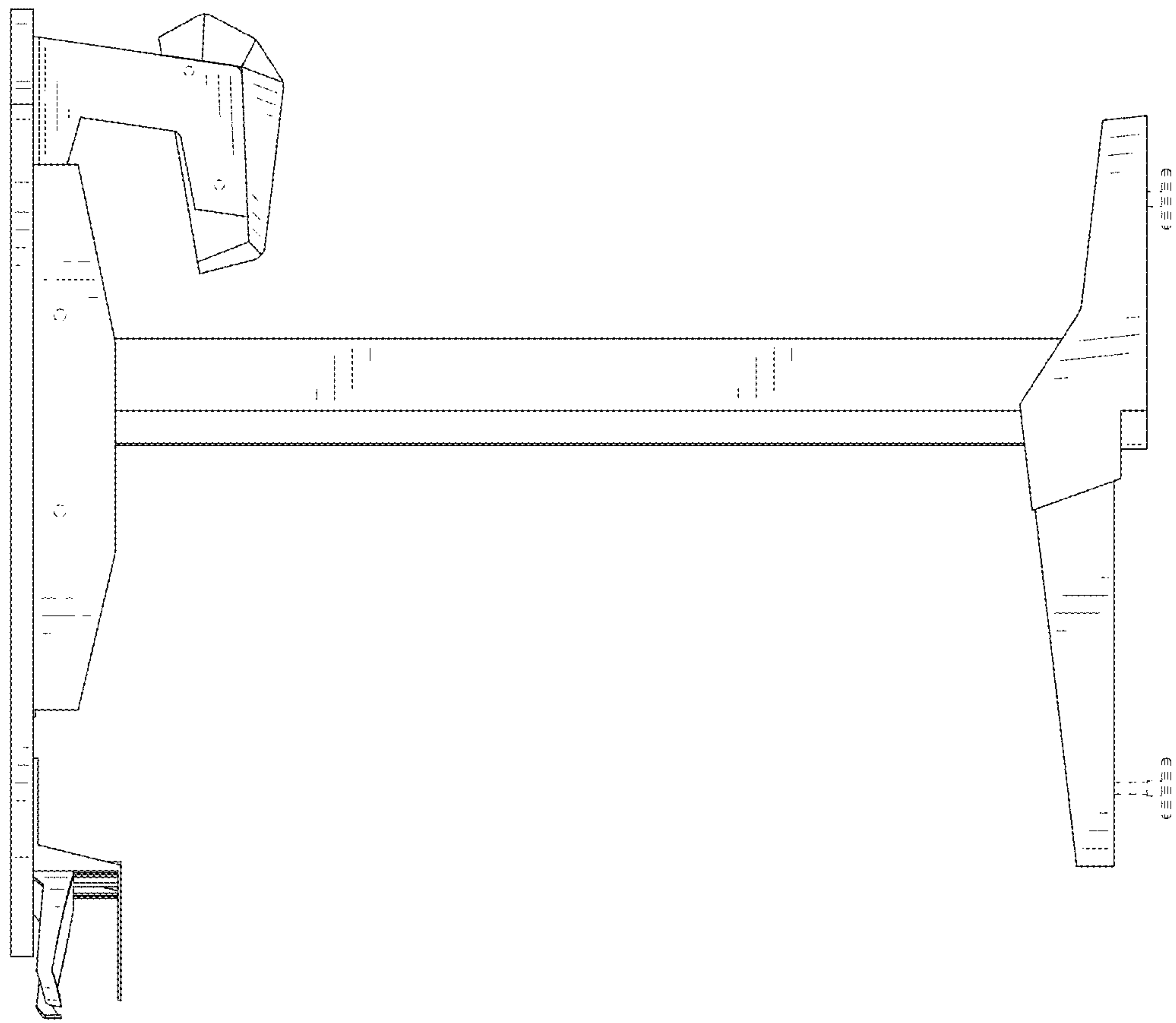


FIG. 6

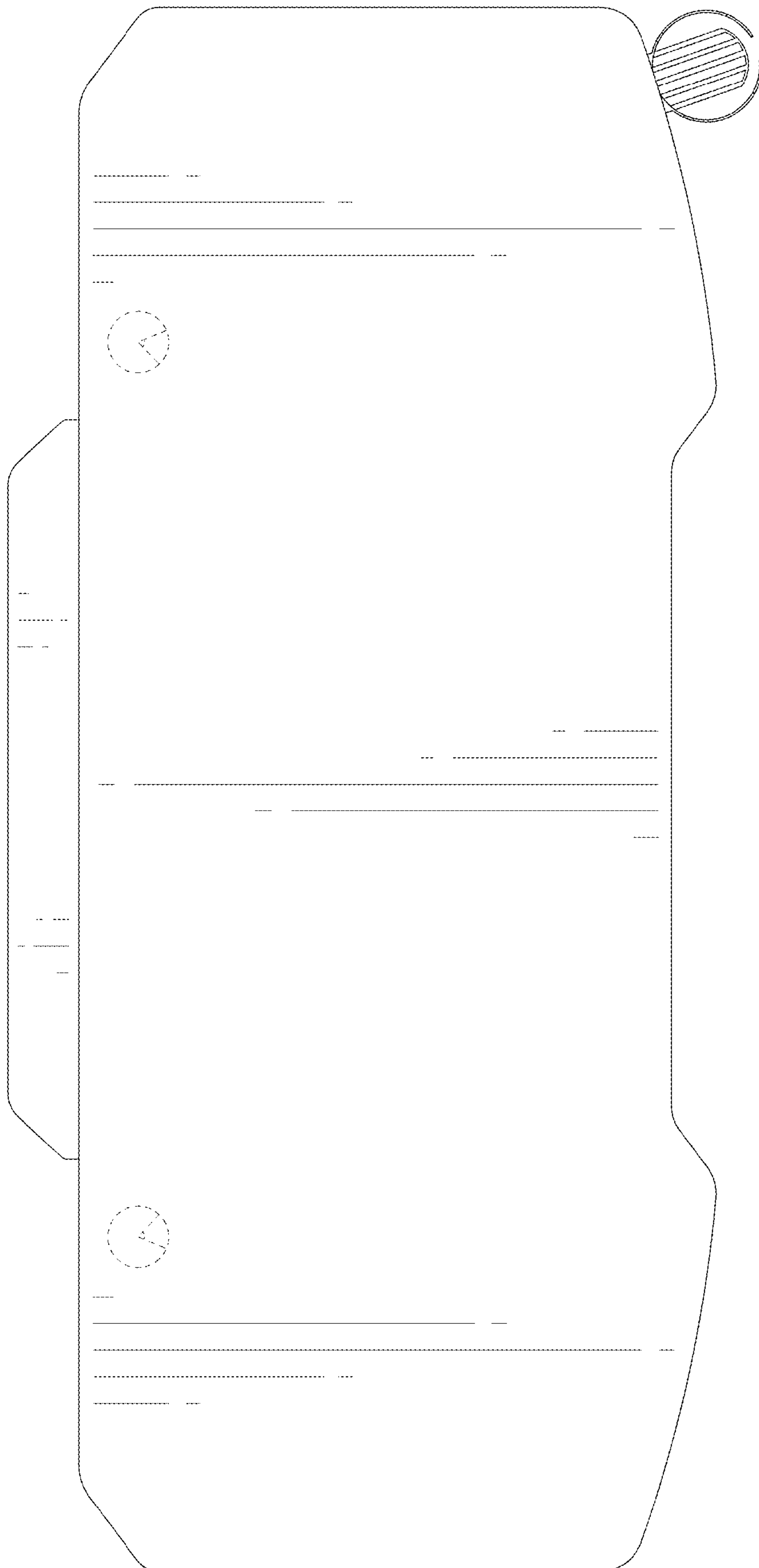


FIG. 7

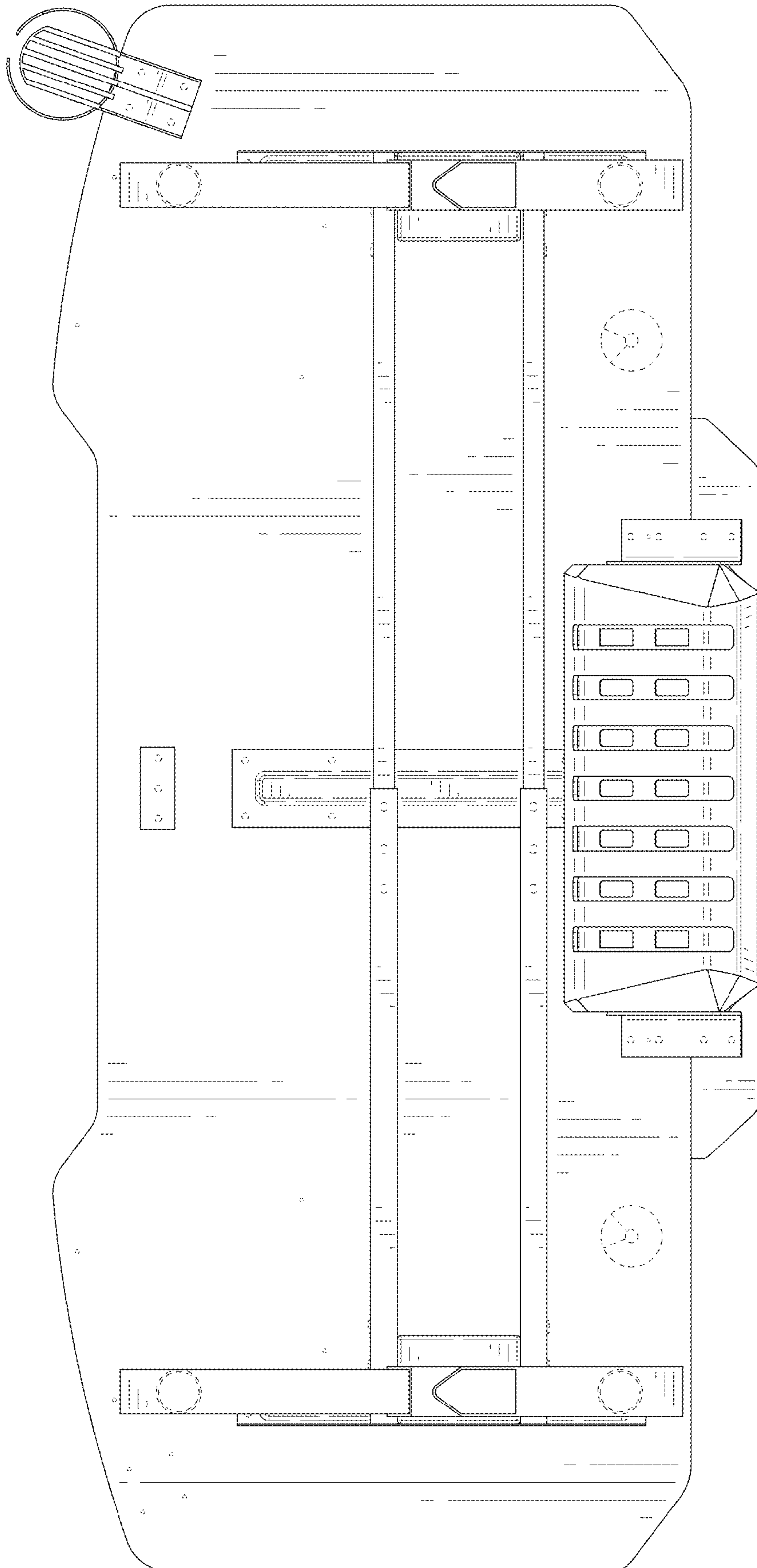


FIG. 8

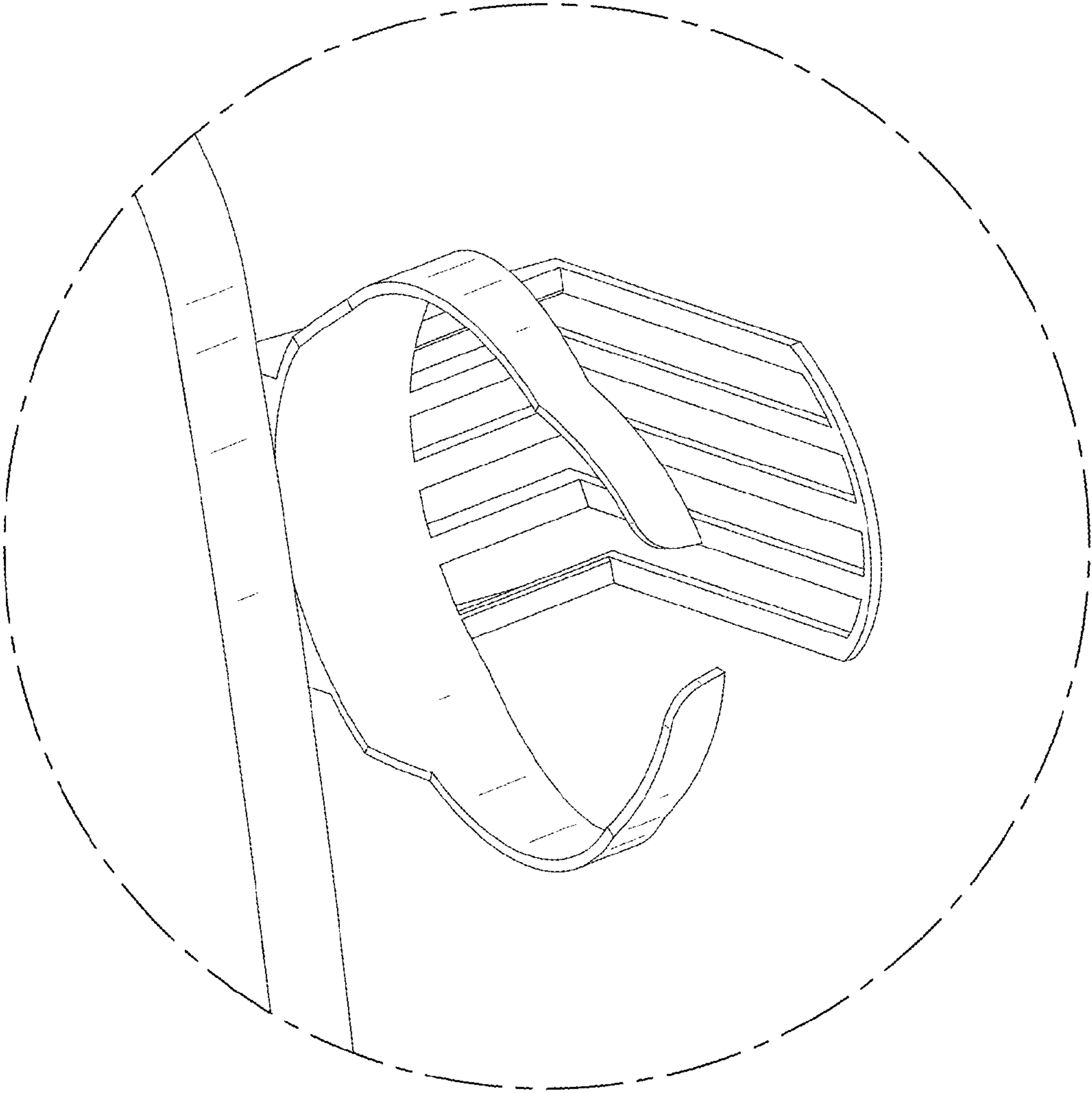


FIG. 9