

US00D916531S

(12) **United States Design Patent**  
**Failing**

(10) **Patent No.:** **US D916,531 S**

(45) **Date of Patent:** **\*\* Apr. 20, 2021**

(54) **COMBINED LAPTOP STAND AND STANDING DESK**

(71) Applicant: **John R. Failing**, Swanton, MD (US)

(72) Inventor: **John R. Failing**, Swanton, MD (US)

(\*\*) Term: **15 Years**

(21) Appl. No.: **29/694,373**

(22) Filed: **Jun. 10, 2019**

(51) **LOC (13) Cl.** ..... **06-03**

(52) **U.S. Cl.**  
USPC ..... **D6/656.11**

(58) **Field of Classification Search**

USPC ..... D6/640, 641, 642, 643, 643.1, 644, 645, D6/648, 648.1, 648.3, 648.4, 649, 650, D6/651, 652, 654, 654.1, 655, 655.1, D6/655.11, 655.12, 655.13, 655.14, D6/655.15, 655.16, 656, 656.1, 656.11, D6/656.16, 656.17, 656.18, 656.19, 668, D6/685, 688.11, 688.21, 688.27, 690, D6/695, 698, 691, 691.6, 696.1, 700, 707, D6/707.19, 707.24, 707.26, 708, 708.2, D6/708.21, 708.23, 709.22  
CPC .... A47B 9/00; A47B 9/04; A47B 9/06; A47B 3/08; A47B 21/00; A47B 21/02; A47B 21/06; A47B 21/07; A47B 21/0314; A47B 2009/185; A47B 2200/0013; A47B 2200/0026; A47B 2200/0085; A47B 2200/0087

See application file for complete search history.

(56) **References Cited**

**U.S. PATENT DOCUMENTS**

2,937,003 A \* 5/1960 Croll ..... B66F 3/22  
254/93 R  
4,753,419 A \* 6/1988 Johansson ..... B66F 7/08  
254/122

6,701,853 B1 \* 3/2004 Hwang ..... A47B 3/02  
108/118  
9,364,078 B1 \* 6/2016 Lai ..... A47B 3/02  
10,244,861 B1 \* 4/2019 Poniowski ..... A47B 9/16  
10,568,416 B1 \* 2/2020 Poniowski ..... A47B 21/0314  
10,575,630 B1 \* 3/2020 Poniowski ..... A47B 21/04  
2008/0150338 A1 \* 6/2008 Baum ..... A47C 3/38  
297/311  
2017/0196351 A1 \* 7/2017 Failing ..... A47B 21/0314

\* cited by examiner

*Primary Examiner* — Mary Ann Calabrese

*Assistant Examiner* — Catherine Ho

(74) *Attorney, Agent, or Firm* — Andrew D. Wright;  
Roberts Calderon Safran & Cole, P.C.

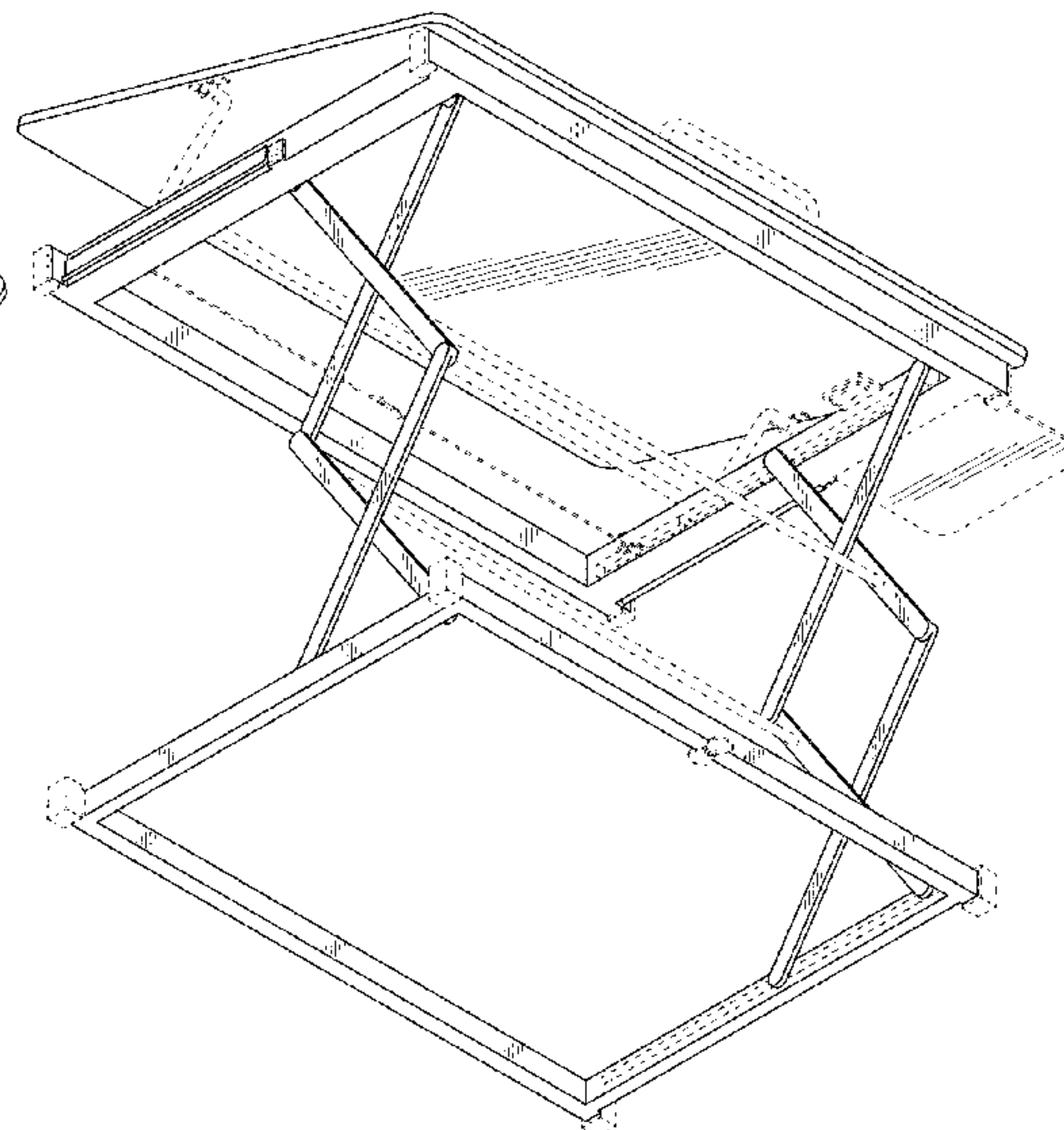
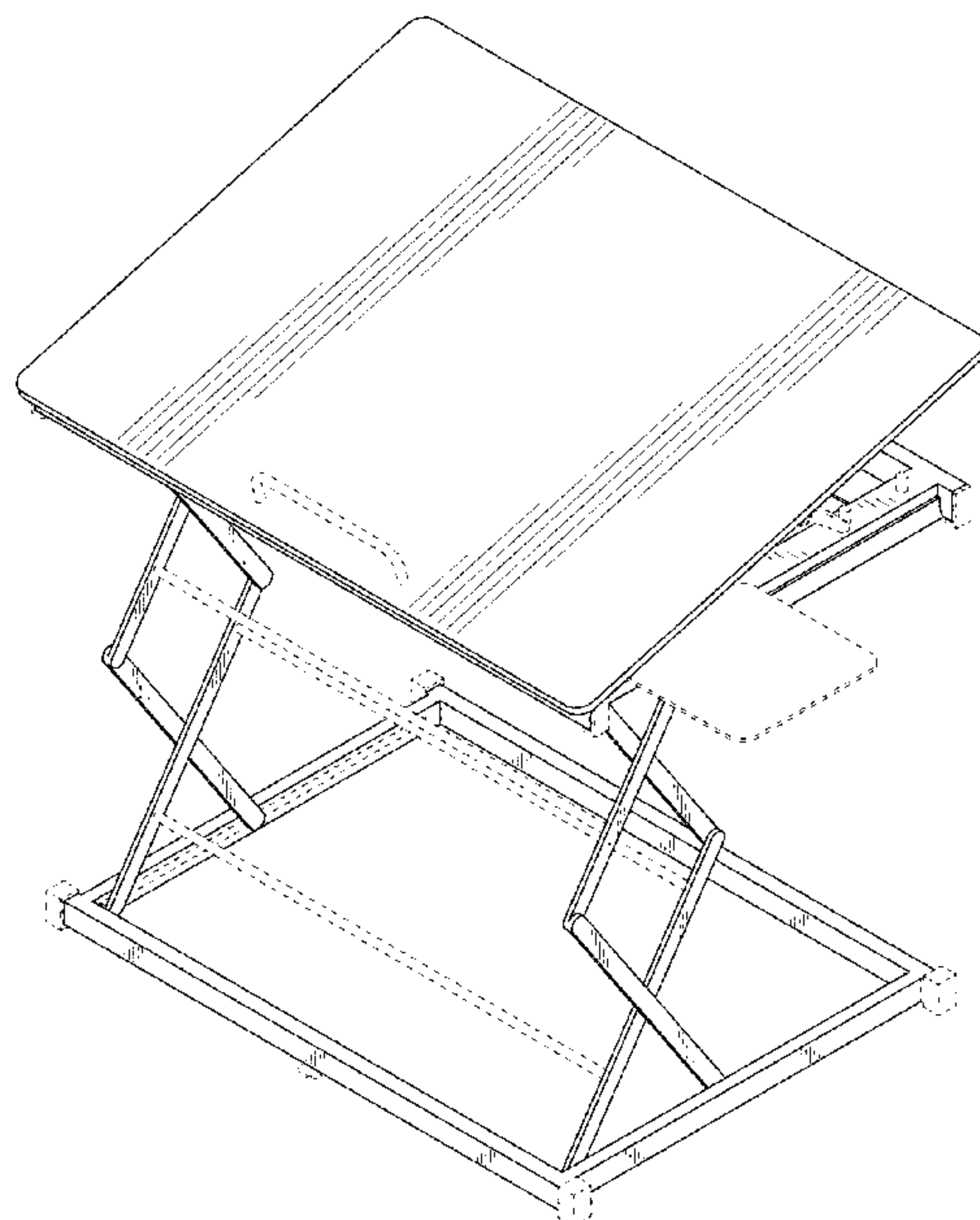
(57) **CLAIM**

I claim the ornamental design for a combined laptop stand and standing desk, as shown and described.

**DESCRIPTION**

FIG. 1 is a top front right isometric view of a combined laptop stand and standing desk, showing my new design; FIG. 2 is a bottom front left isometric view thereof; FIG. 3 is a bottom rear left isometric view thereof; FIG. 4 is a front view thereof; FIG. 5 is a rear view thereof; FIG. 6 is a left view thereof; FIG. 7 is a right view thereof; FIG. 8 is a top view thereof; and, FIG. 9 is a bottom view thereof. The broken line portion of the figure drawings is included to show portions of the article that forms no part of the claimed design.

**1 Claim, 9 Drawing Sheets**



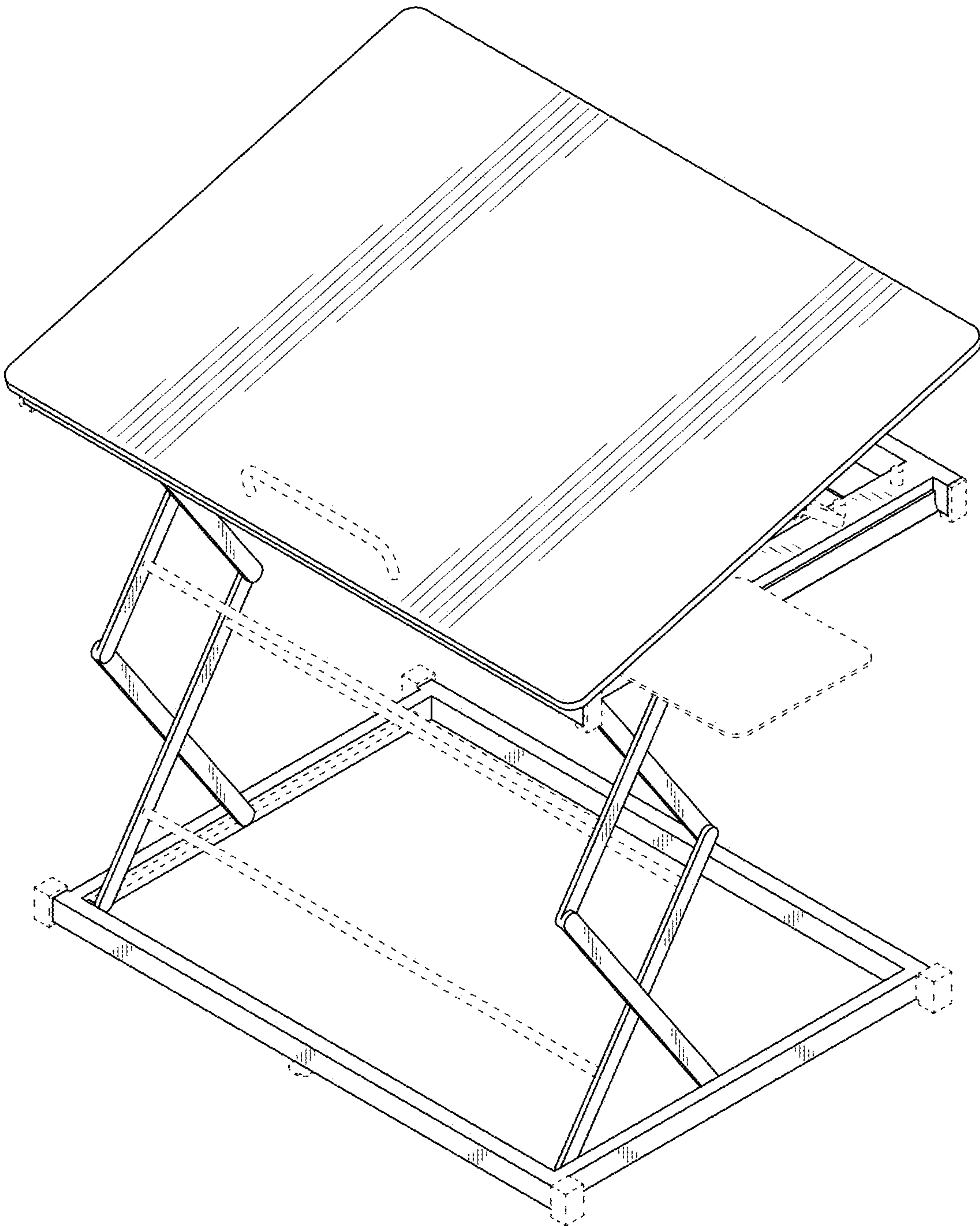


FIG. 1



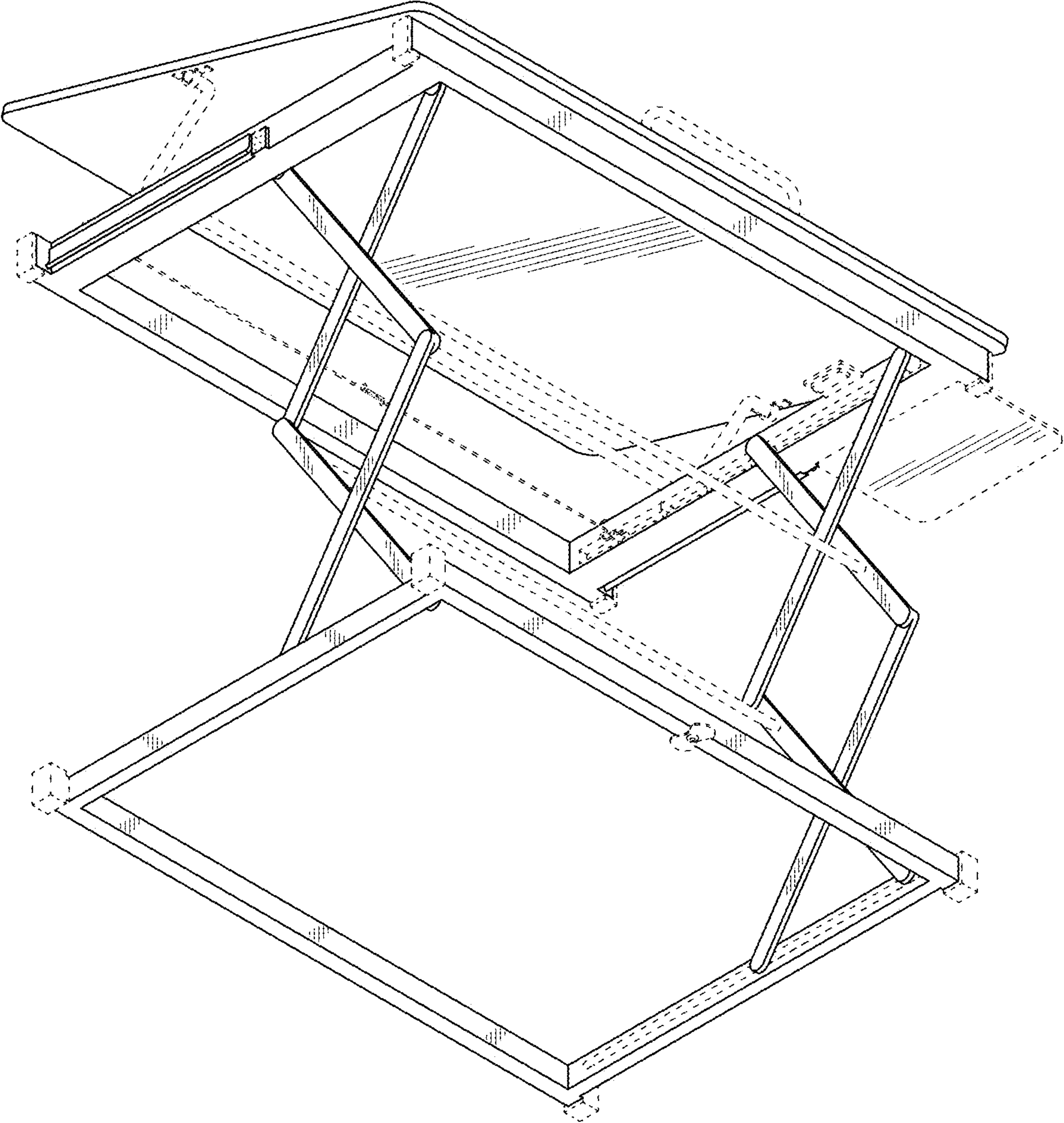


FIG. 2

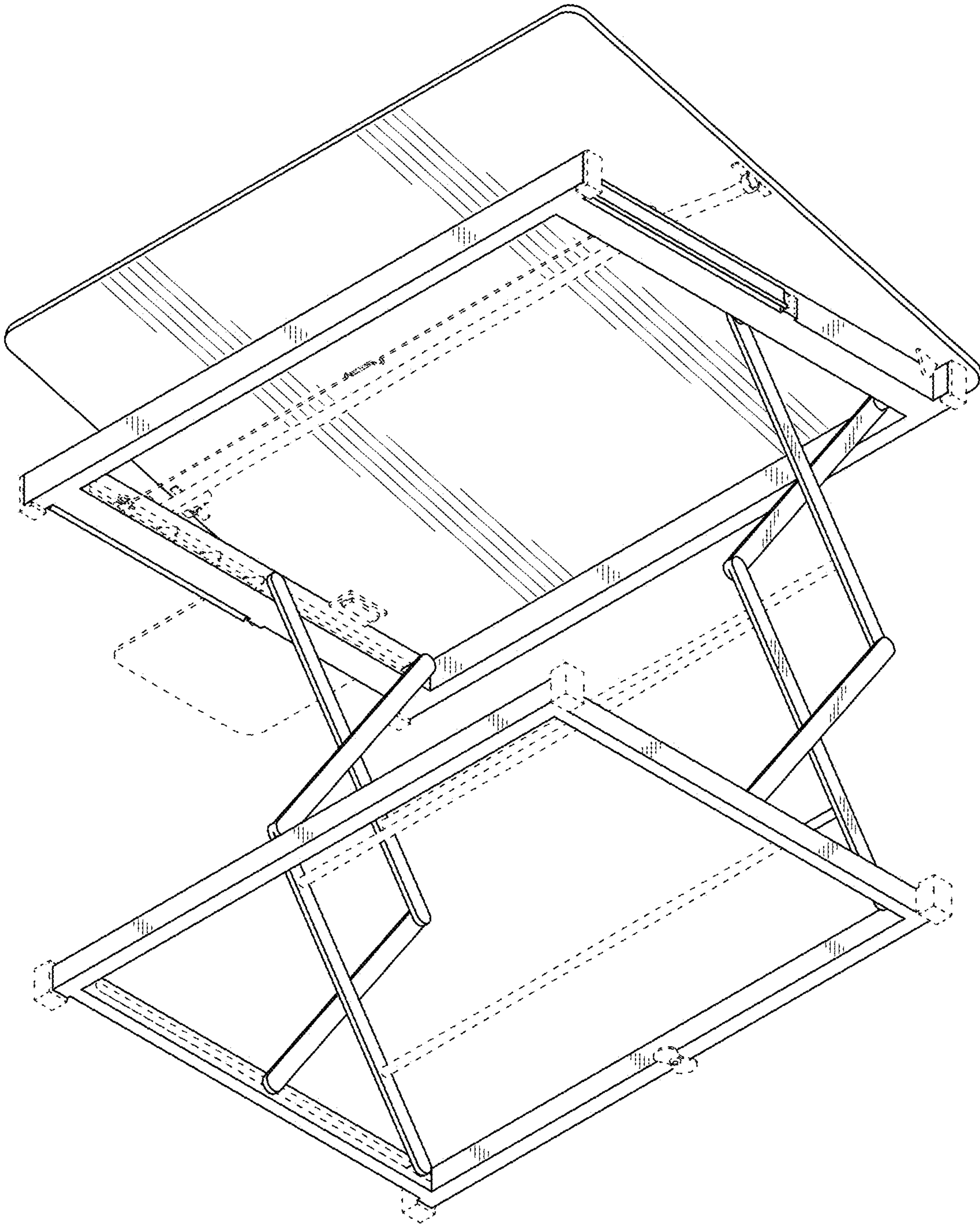


FIG. 3

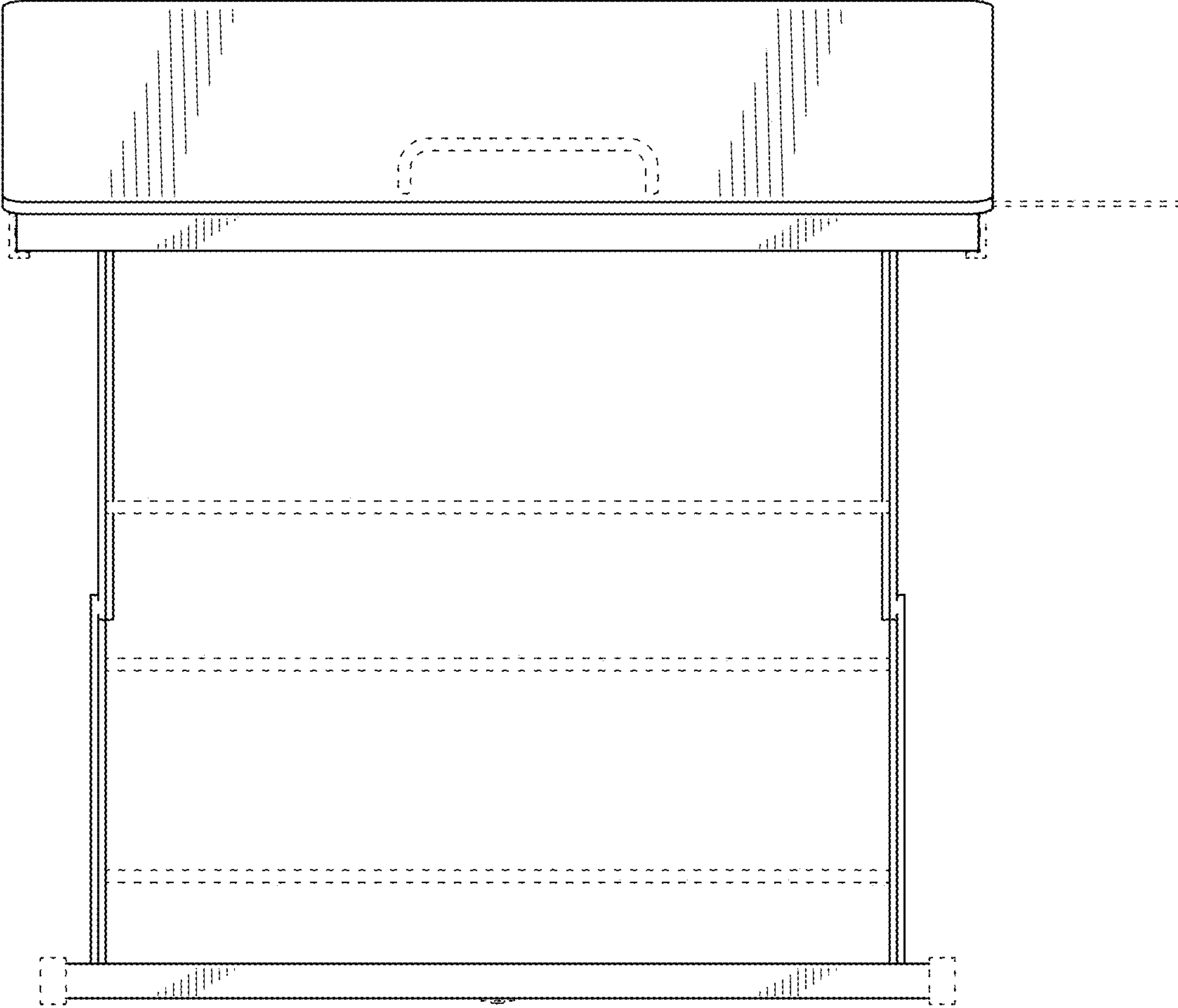


FIG. 4

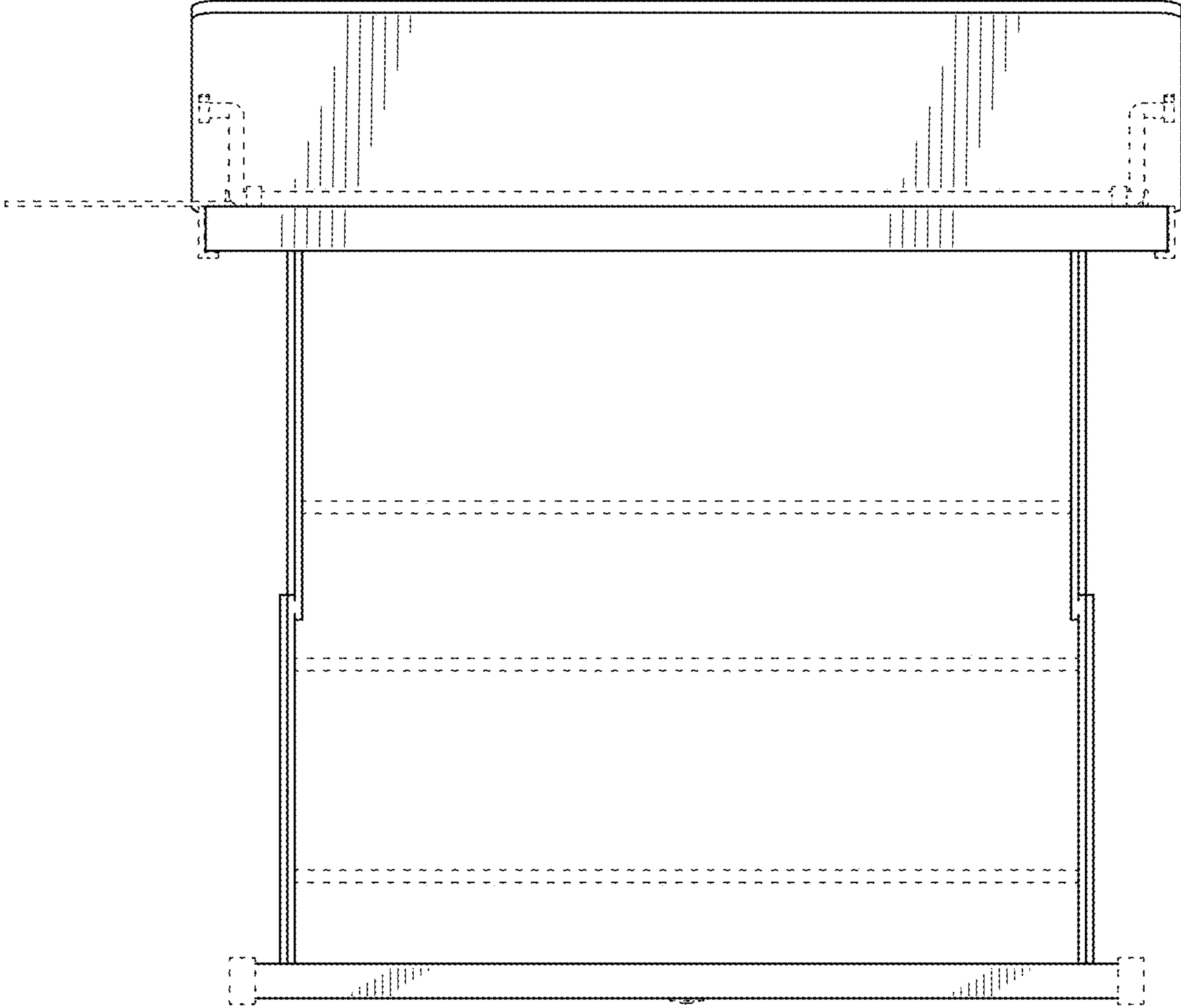


FIG. 5

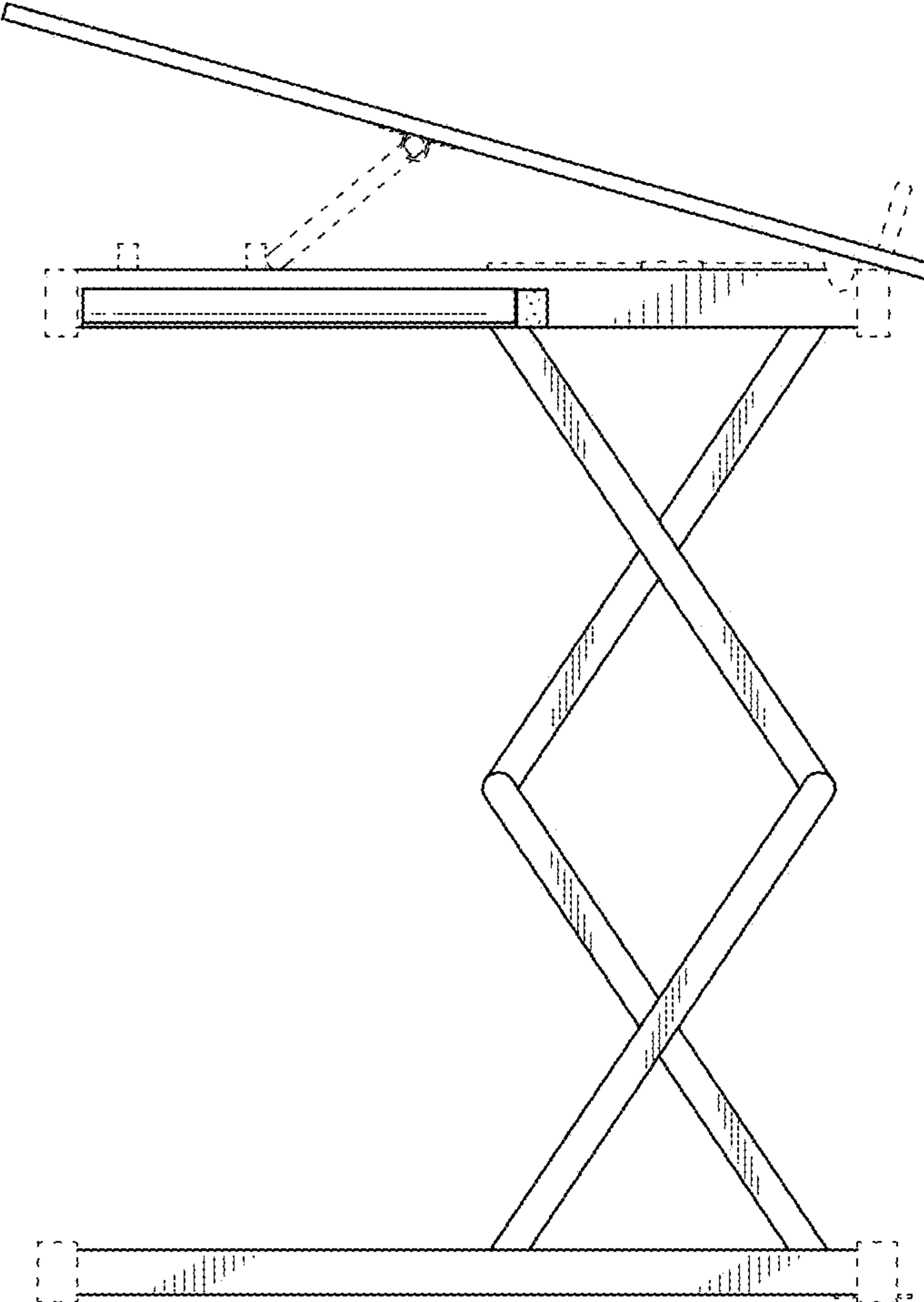


FIG. 6



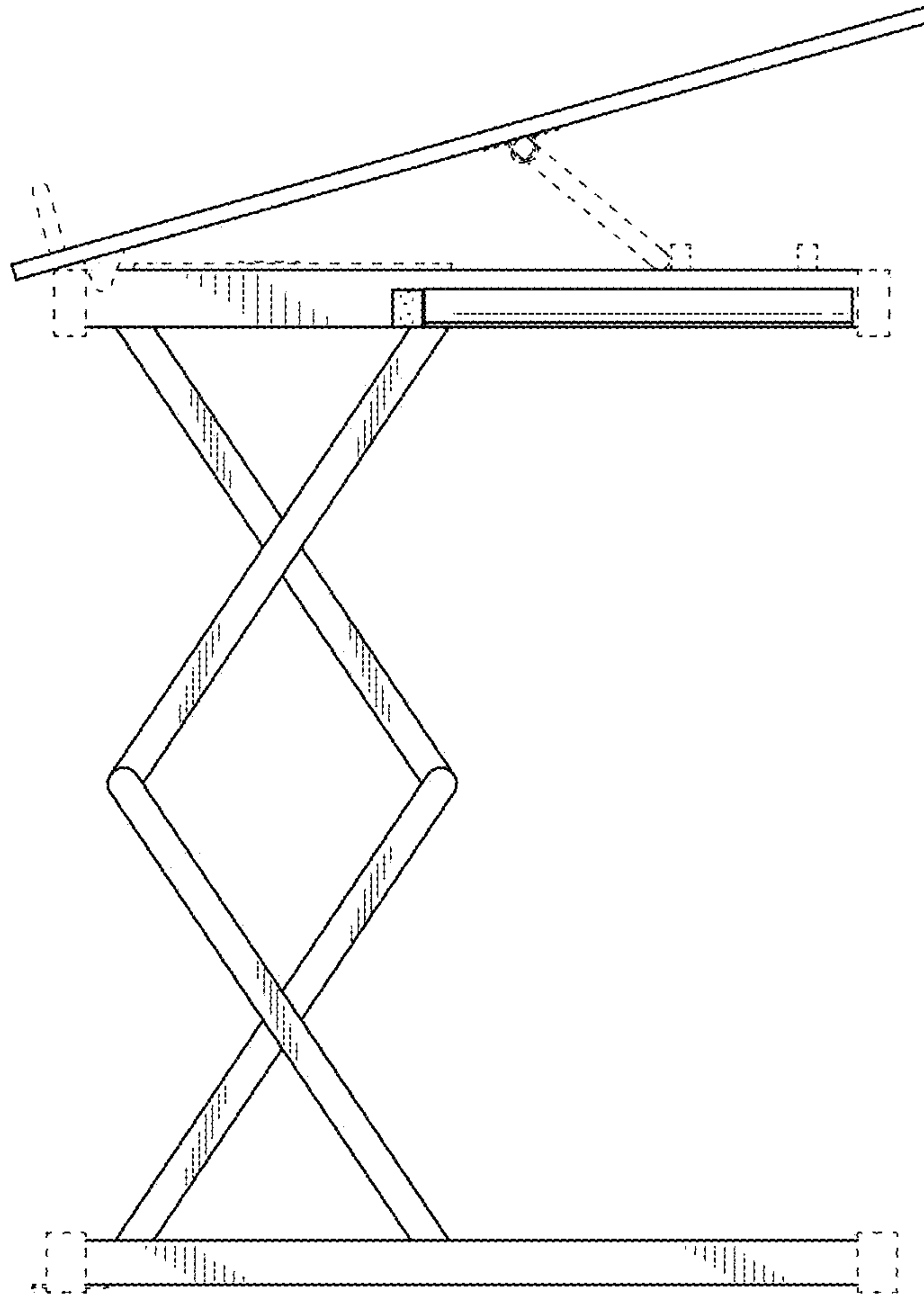


FIG. 7



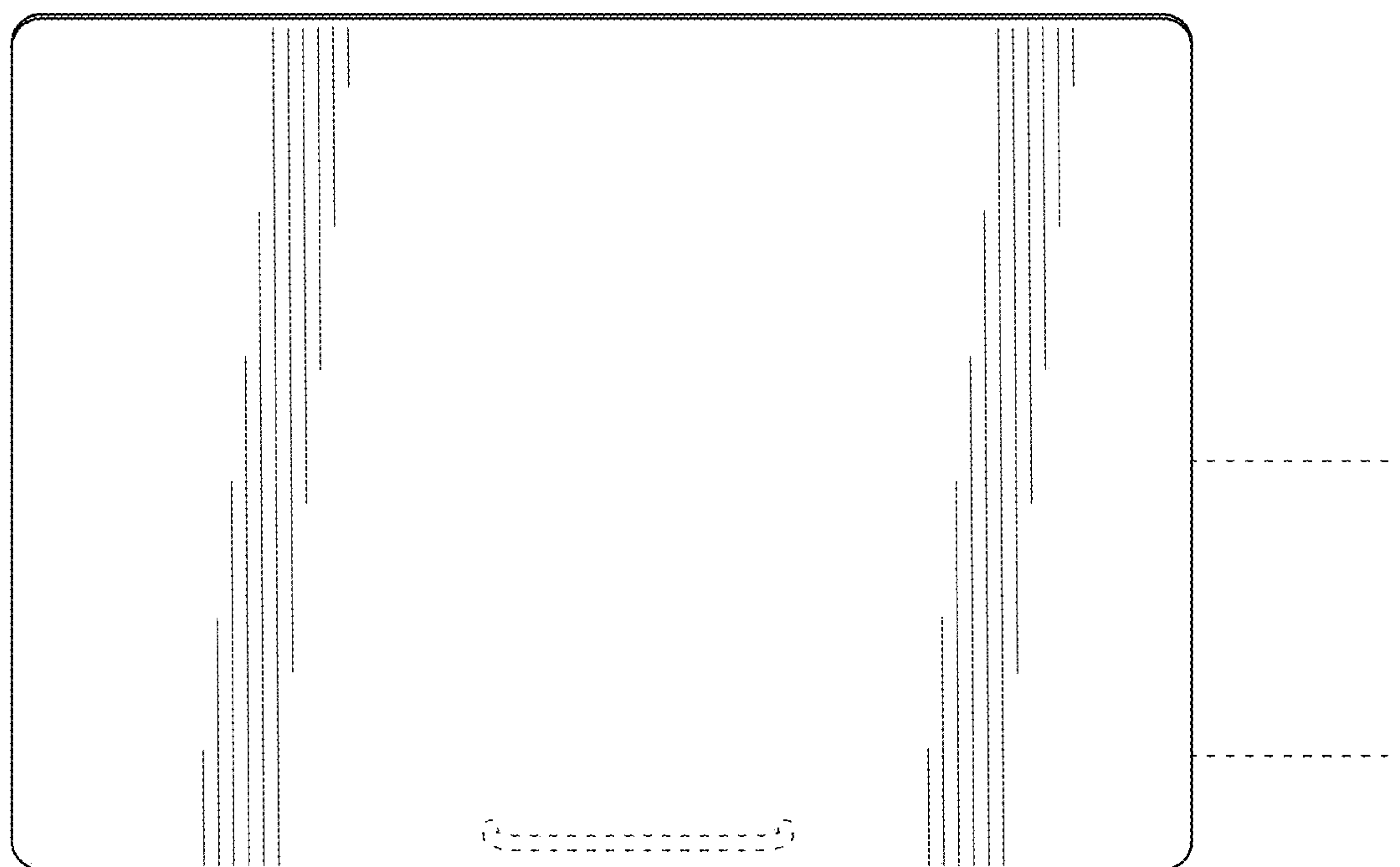


FIG. 8

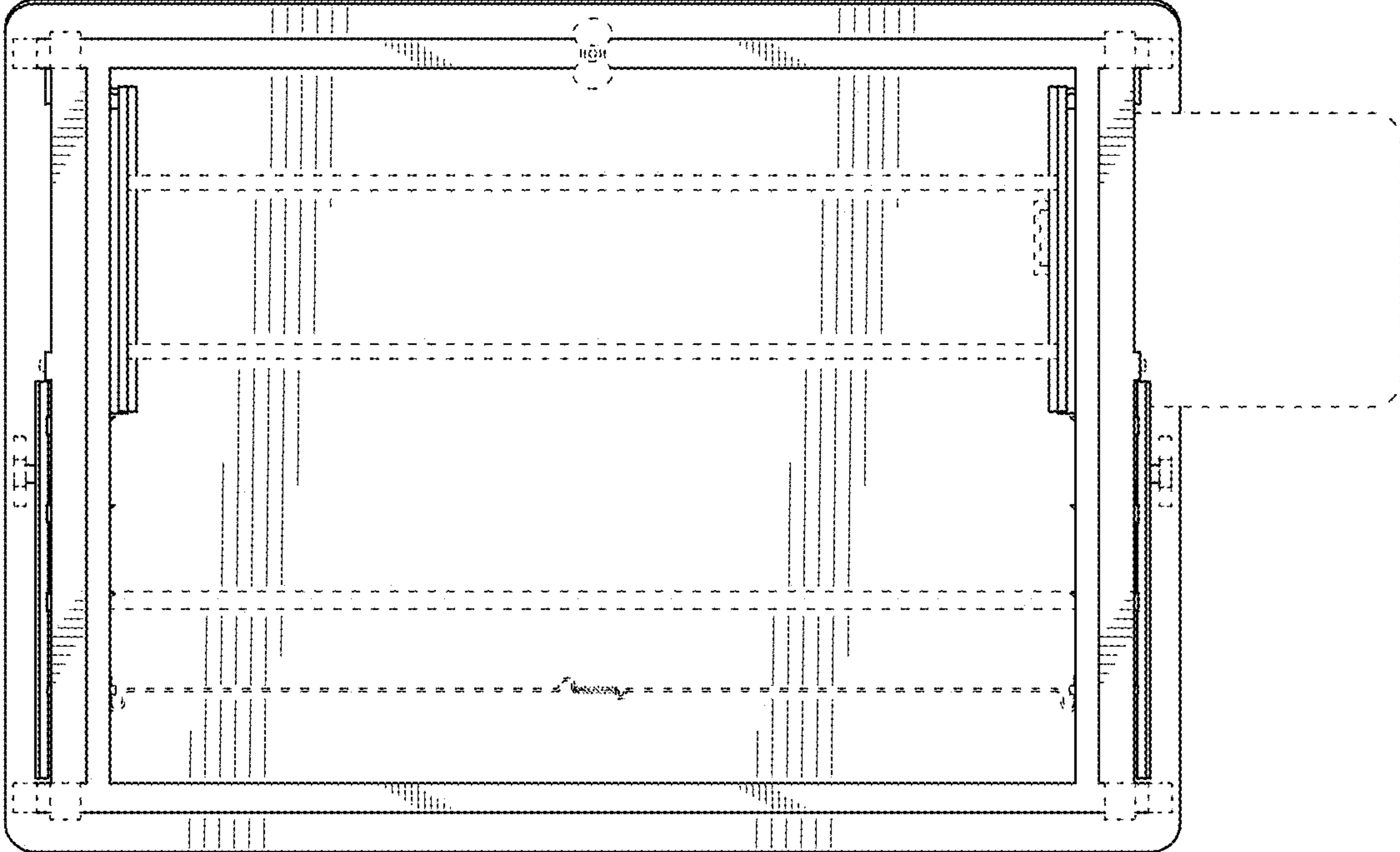


FIG. 9