



US00D916530S

(12) **United States Design Patent**  
**Johnson**

(10) **Patent No.:** **US D916,530 S**

(45) **Date of Patent:** **\*\* Apr. 20, 2021**

(54) **PORTABLE DESK**

(71) Applicant: **Innovative Tools & Technologies, Inc.**,  
St. Paul, MN (US)

(72) Inventor: **Bryan T. Johnson**, Vadnais Heights,  
MN (US)

(73) Assignee: **Innovative Tools & Technologies, Inc.**,  
St. Paul, MN (US)

(\*\*) Term: **15 Years**

(21) Appl. No.: **29/668,072**

(22) Filed: **Oct. 26, 2018**

(51) **LOC (13) Cl.** ..... **06-03**

(52) **U.S. Cl.**  
USPC ..... **D6/655.13**

(58) **Field of Classification Search**  
USPC ..... D6/353, 368, 642, 644, 649, 651, 655,  
D6/655.1, 655.11, 655.12, 655.13, 655.14,  
D6/655.15, 655.16, 655.17, 655.18, 655.2,  
D6/655.21, 656, 656.11, 656.13, 656.15,  
D6/656.16, 656.17, 656.19, 657, 663,  
D6/686, 691, 709

CPC ..... A47B 81/00; A47B 88/00; A47B 88/41;  
A47B 88/42; A47B 2210/16; B62B 3/00;  
B60B 33/00

See application file for complete search history.

(56) **References Cited**

**U.S. PATENT DOCUMENTS**

1,812,694 A \* 6/1931 Hallowell ..... A47B 19/00  
312/281

D304,112 S \* 10/1989 Bettess ..... D34/21  
(Continued)

**OTHER PUBLICATIONS**

IMG\_2906, posted at Innovativetools.eu, posted on Nov. 9, 2019,  
site visited Feb. 18, 2020. online, available from the internet:

[https://cdn.shopify.com/s/files/1/2078/6053/products/IMG\\_2906\\_Estimating-Cart\\_Shelf-Up\\_large.png?v=1541432529](https://cdn.shopify.com/s/files/1/2078/6053/products/IMG_2906_Estimating-Cart_Shelf-Up_large.png?v=1541432529) (Year: 2019).\*

*Primary Examiner* — Mary Ann Calabrese

*Assistant Examiner* — Catherine Ho

(74) *Attorney, Agent, or Firm* — Muetting Raasch Group

(57) **CLAIM**

The ornamental design for a portable desk, as shown and described.

**DESCRIPTION**

FIG. 1 is a rear left perspective view of a portable desk in accordance with an embodiment of the claimed design; FIG. 2 is a front right perspective view of the design of FIG. 1;

FIG. 3 is a rear elevation view of the design of FIG. 1; FIG. 4 is a front elevation view of the design of FIG. 1; FIG. 5 is a right side elevation view of the design of FIG. 1; FIG. 6 is a left side elevation view of the design of FIG. 1; FIG. 7 is a top plan view of the design of FIG. 1;

FIG. 8 is a rear left perspective view of a portable desk in accordance with another embodiment of the claimed design; FIG. 9 is a front right perspective view of the design of FIG. 8;

FIG. 10 is a rear elevation view of the design of FIG. 8; FIG. 11 is a front elevation view of the design of FIG. 8; FIG. 12 is a right side elevation view of the design of FIG. 8;

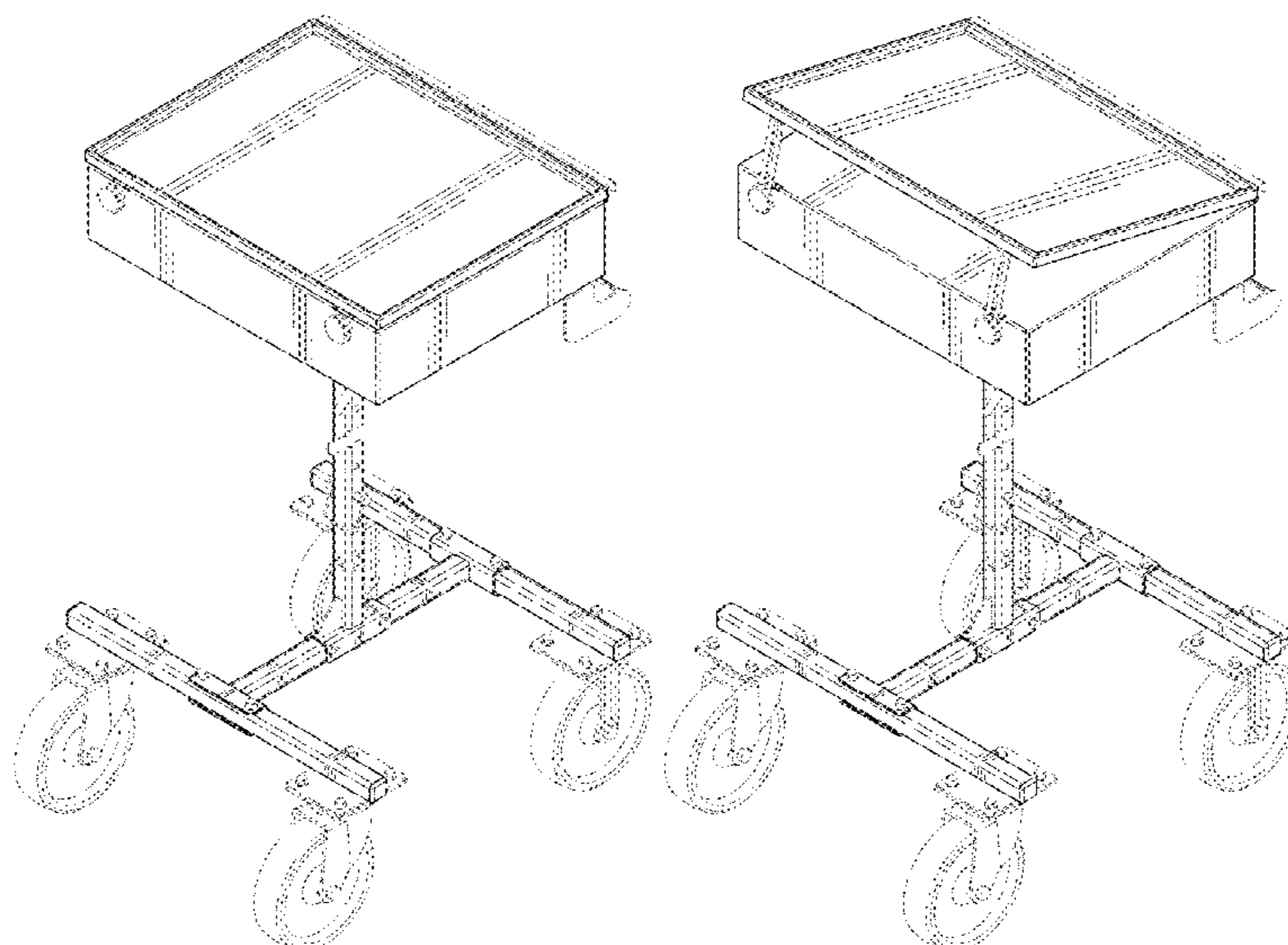
FIG. 13 is a left side elevation view of the design of FIG. 8; and,

FIG. 14 is a top plan view of the design of FIG. 8.

The broken line portion of the figure drawings is included to show portions of the article that form no part of the claimed design.

The article is shown with a symbolic break in its length. The appearance of any portion of the article between the break lines forms no part of the claimed design.

**1 Claim, 14 Drawing Sheets**



(56)

**References Cited**

U.S. PATENT DOCUMENTS

D323,436	S	*	1/1992	Harrison	.....	D6/655.14
D374,563	S	*	10/1996	Simon	.....	D6/655
D378,635	S	*	4/1997	Studer	.....	D6/656.15
5,806,943	A	*	9/1998	Dell	.....	A47B 21/00 108/147
D401,774	S	*	12/1998	Burke	.....	D6/656.15
6,578,501	B1	*	6/2003	Moore	.....	A47B 9/10 108/147
6,883,439	B1	*	4/2005	Moore	.....	A47B 9/10 108/147
D669,651	S	*	10/2012	Ono	.....	D34/12
D815,463	S	*	4/2018	Kobayashi	.....	D6/655.2
10,159,337	B2	*	12/2018	Abernethy	.....	B62B 3/02
D865,404	S	*	11/2019	Hu	.....	D6/655.13

\* cited by examiner

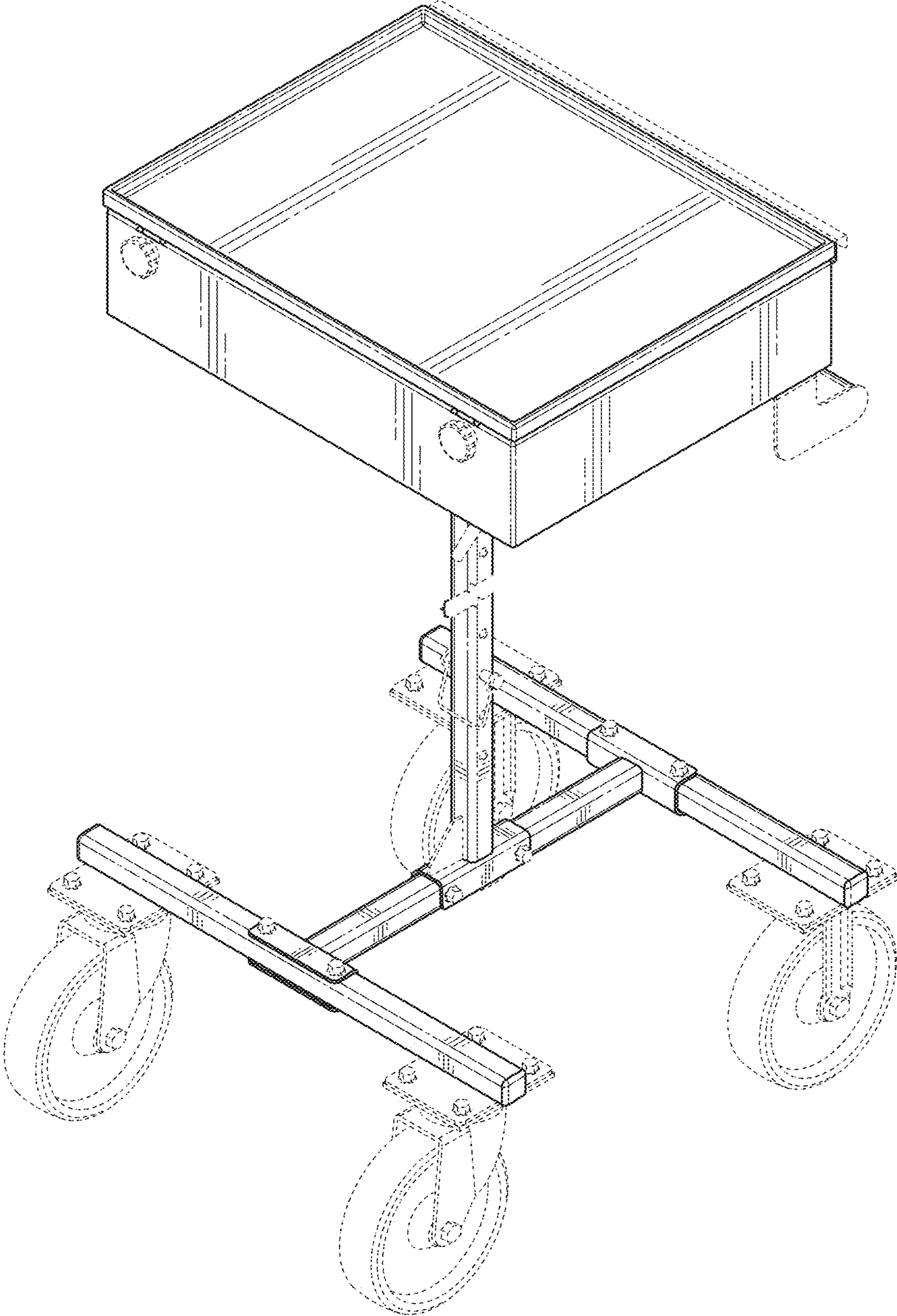


FIG. 1

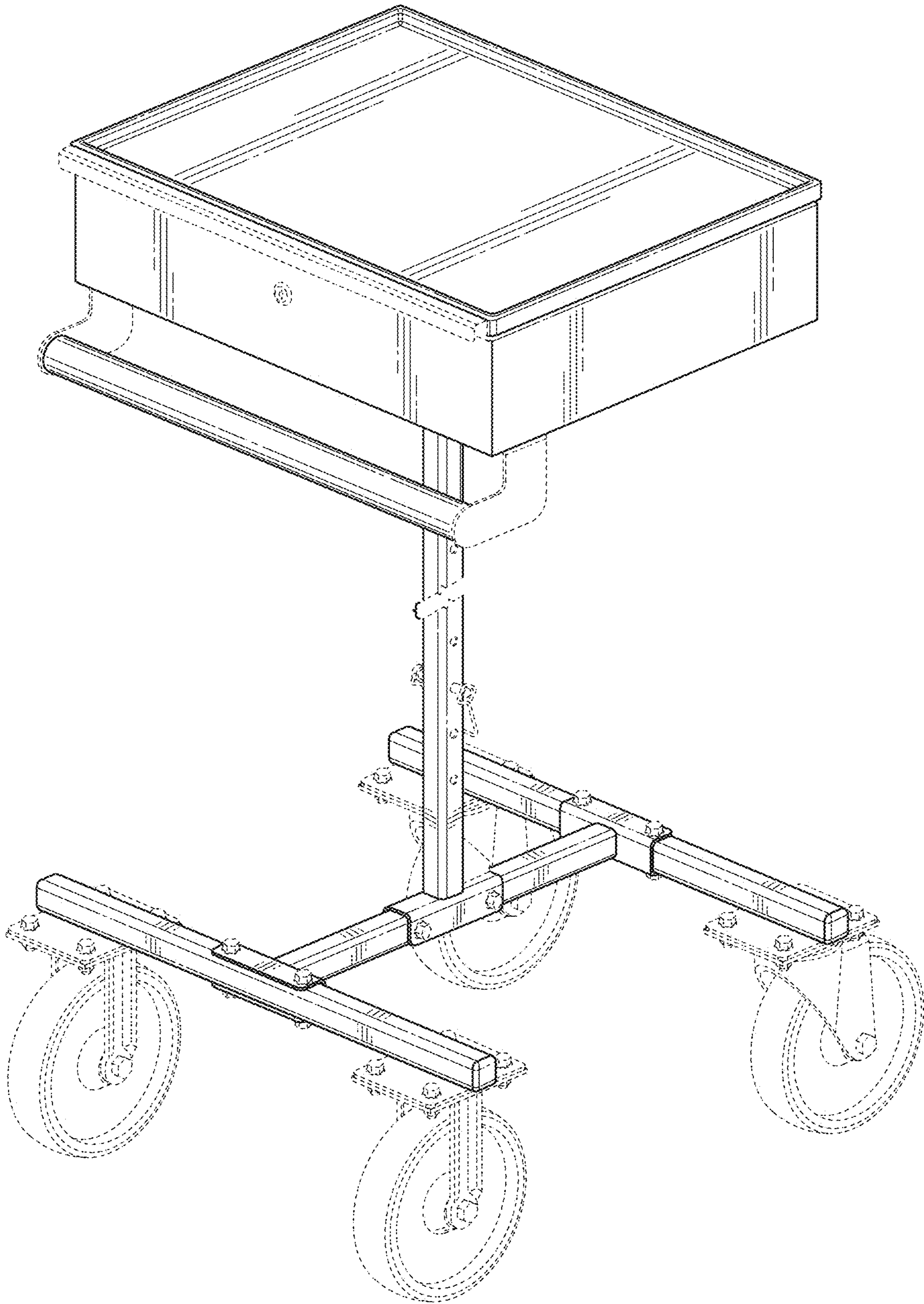


FIG. 2

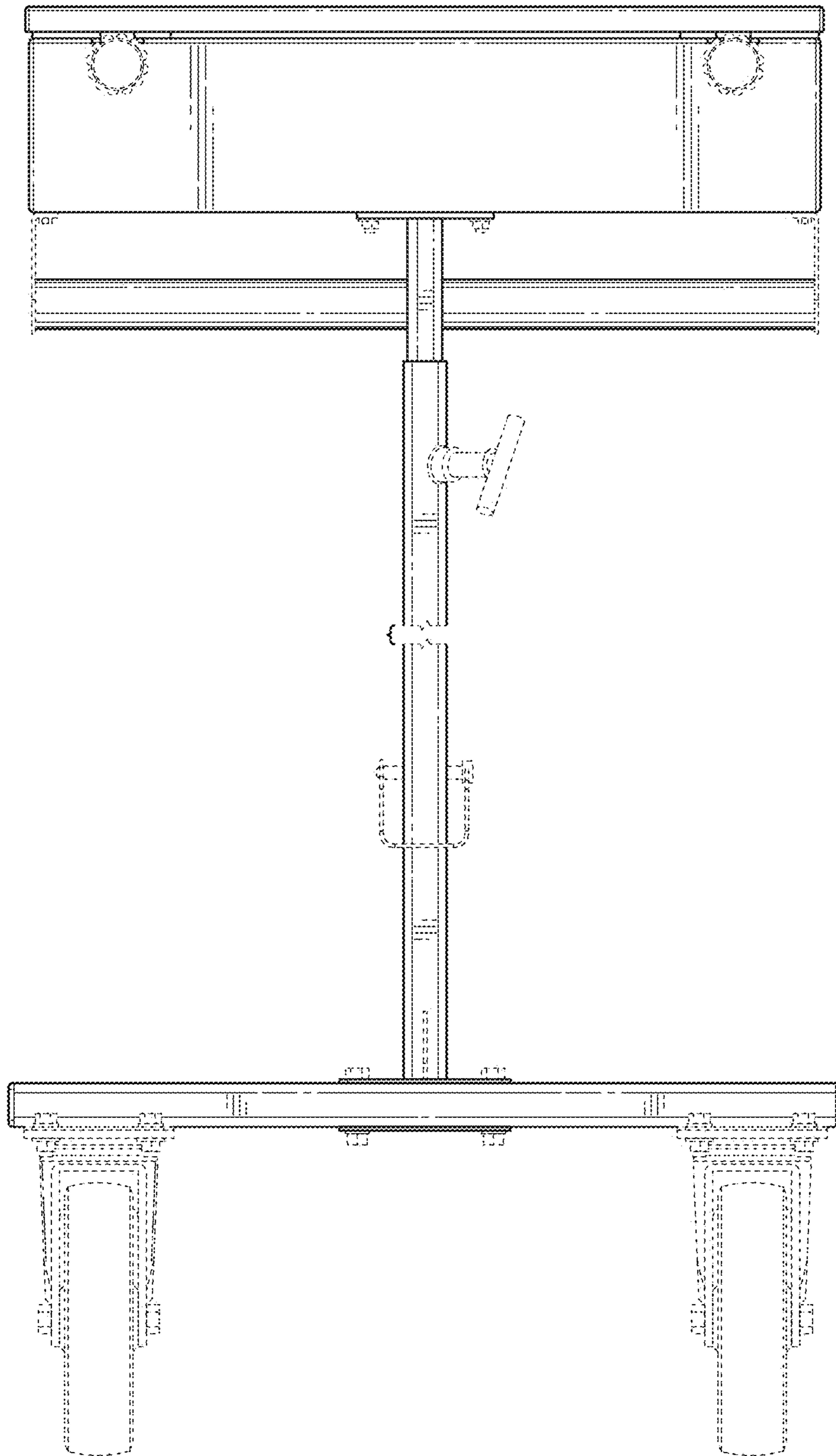


FIG. 3

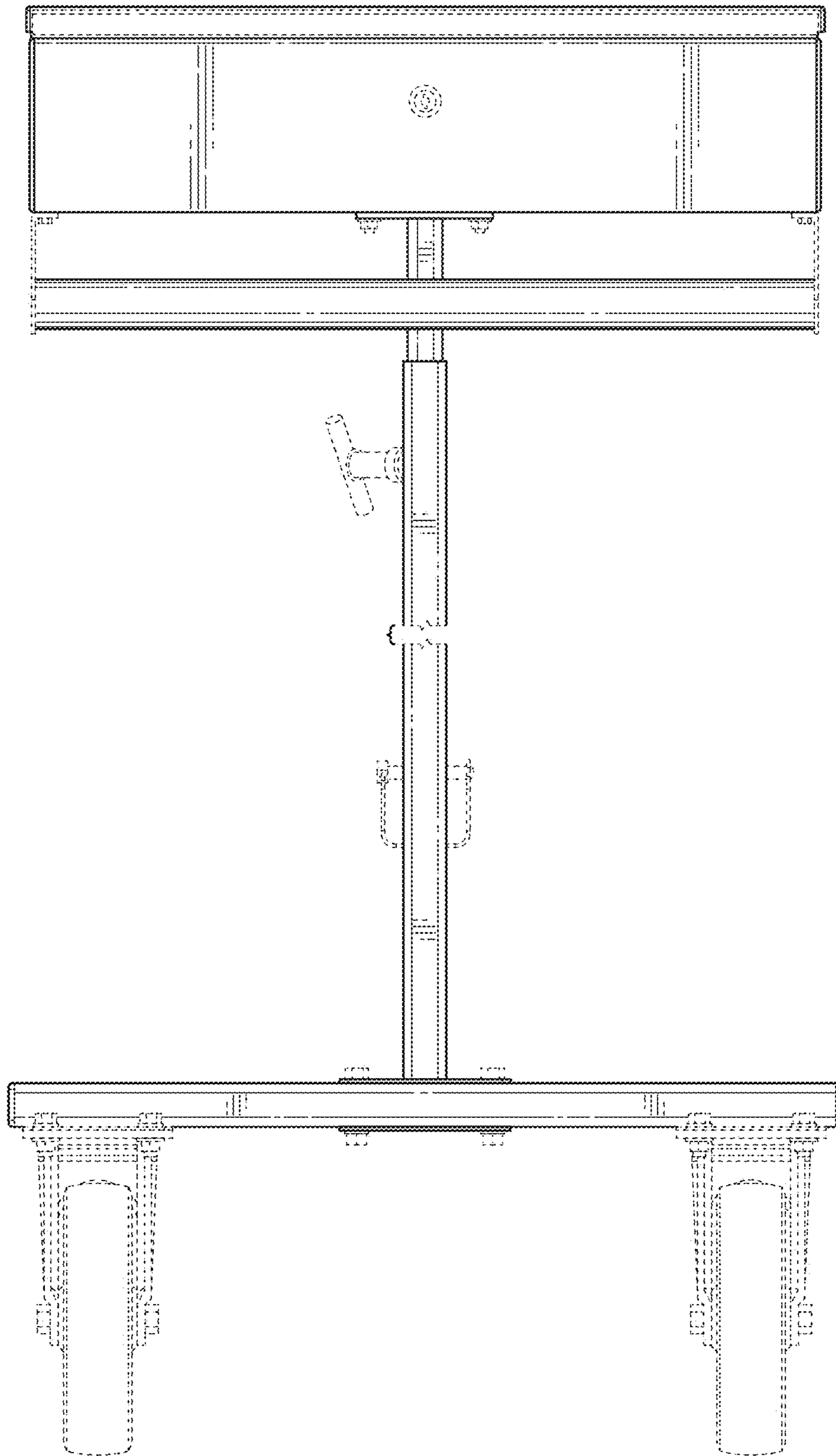


FIG. 4

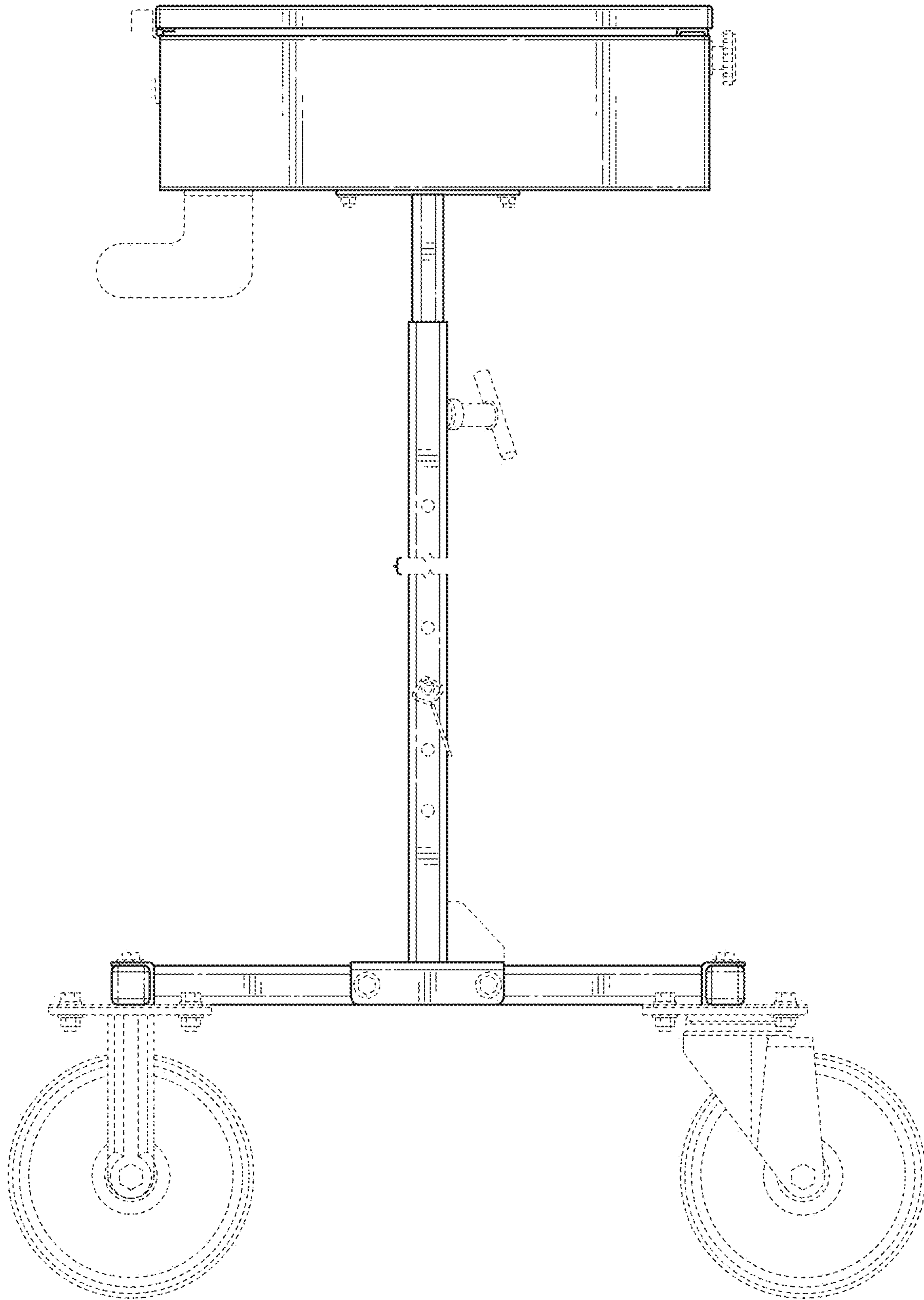


FIG. 5

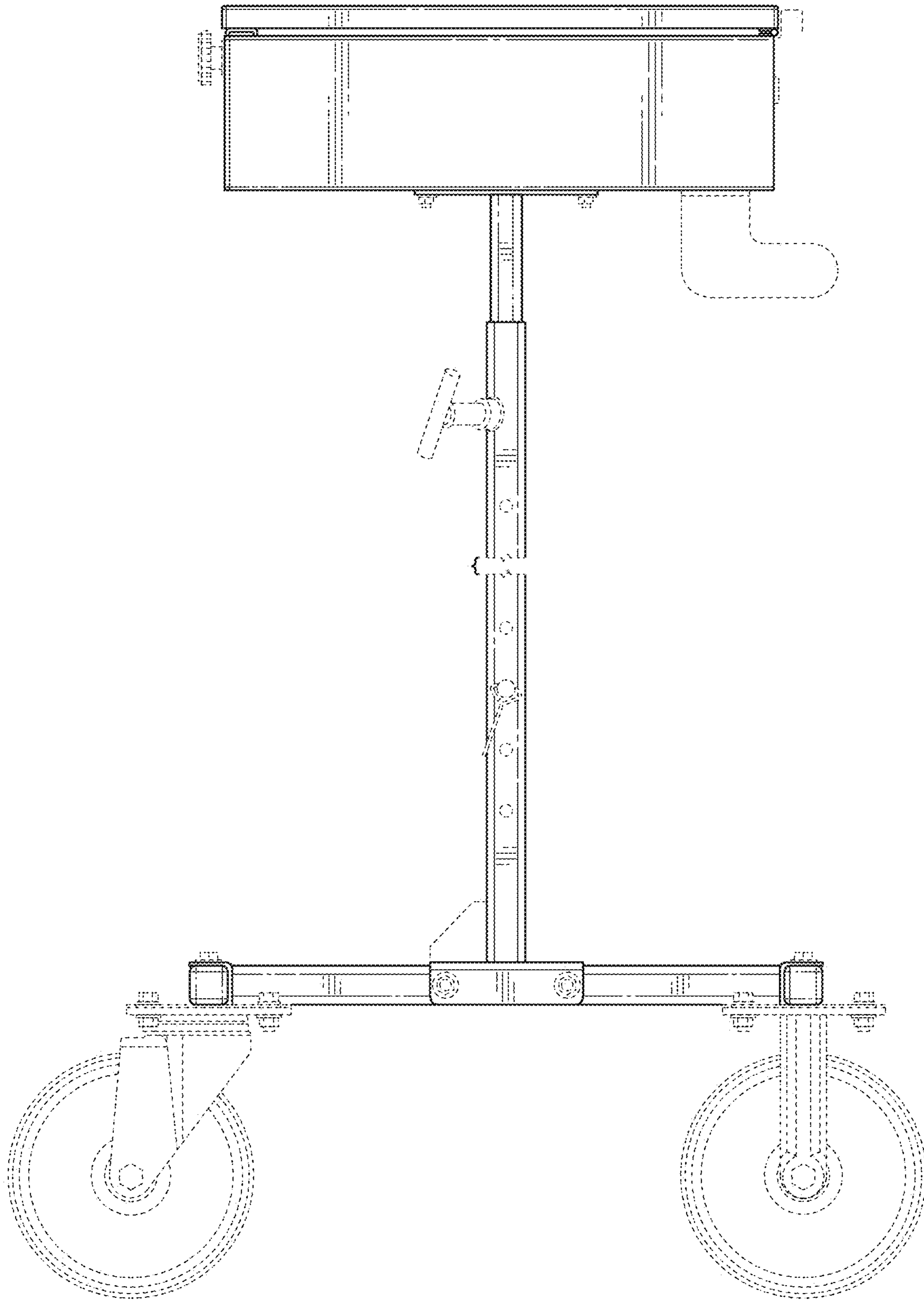


FIG. 6



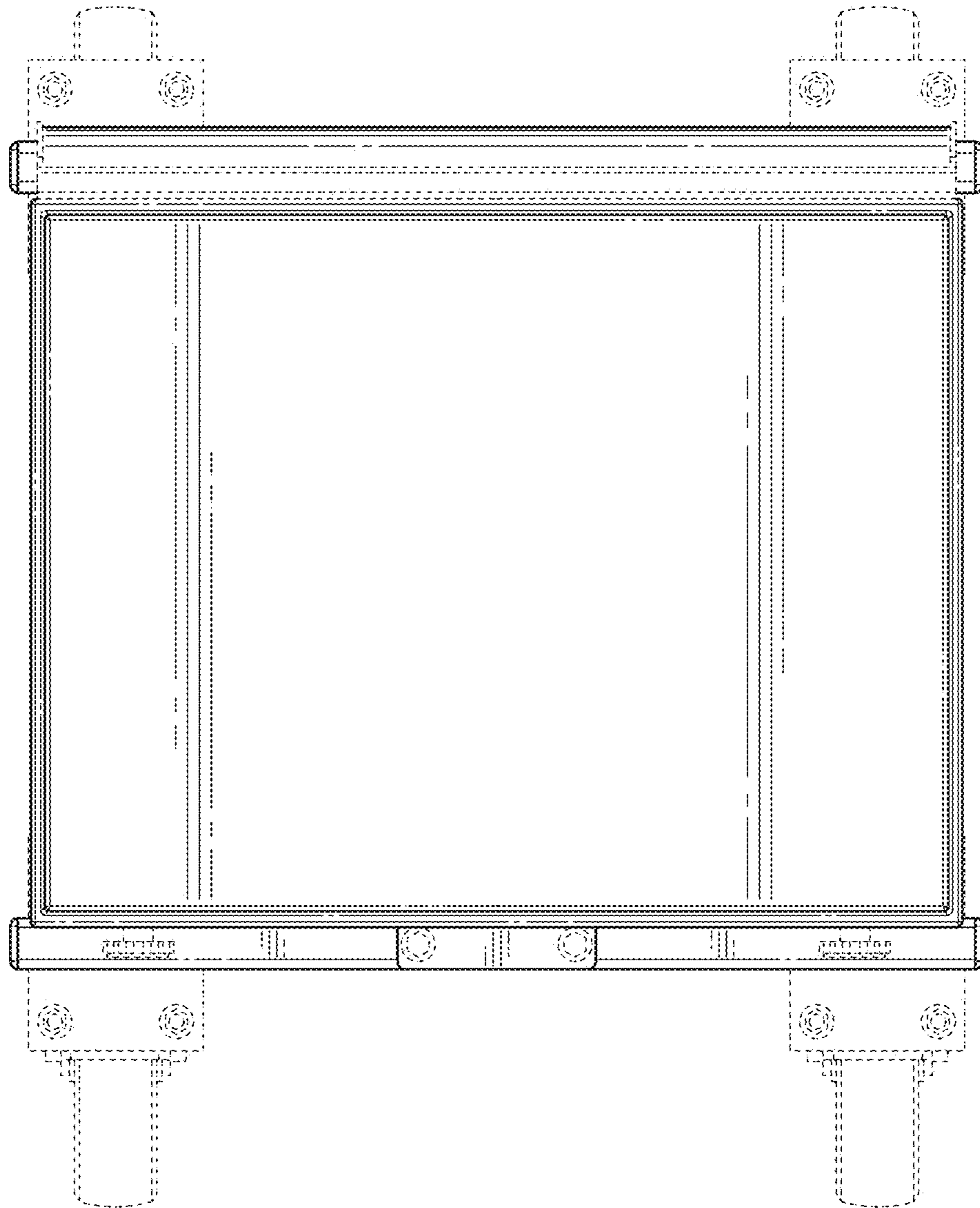


FIG. 7

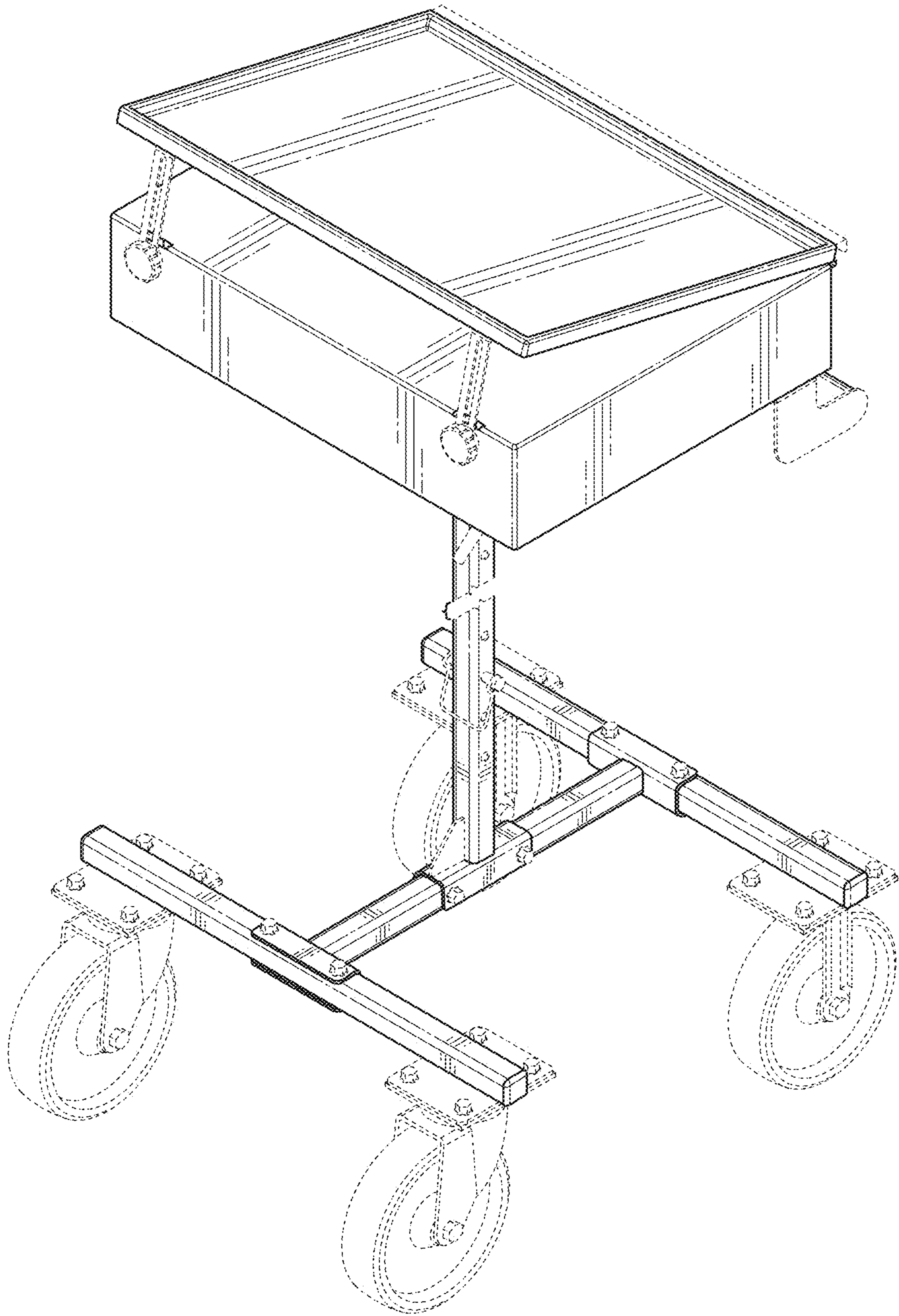


FIG. 8

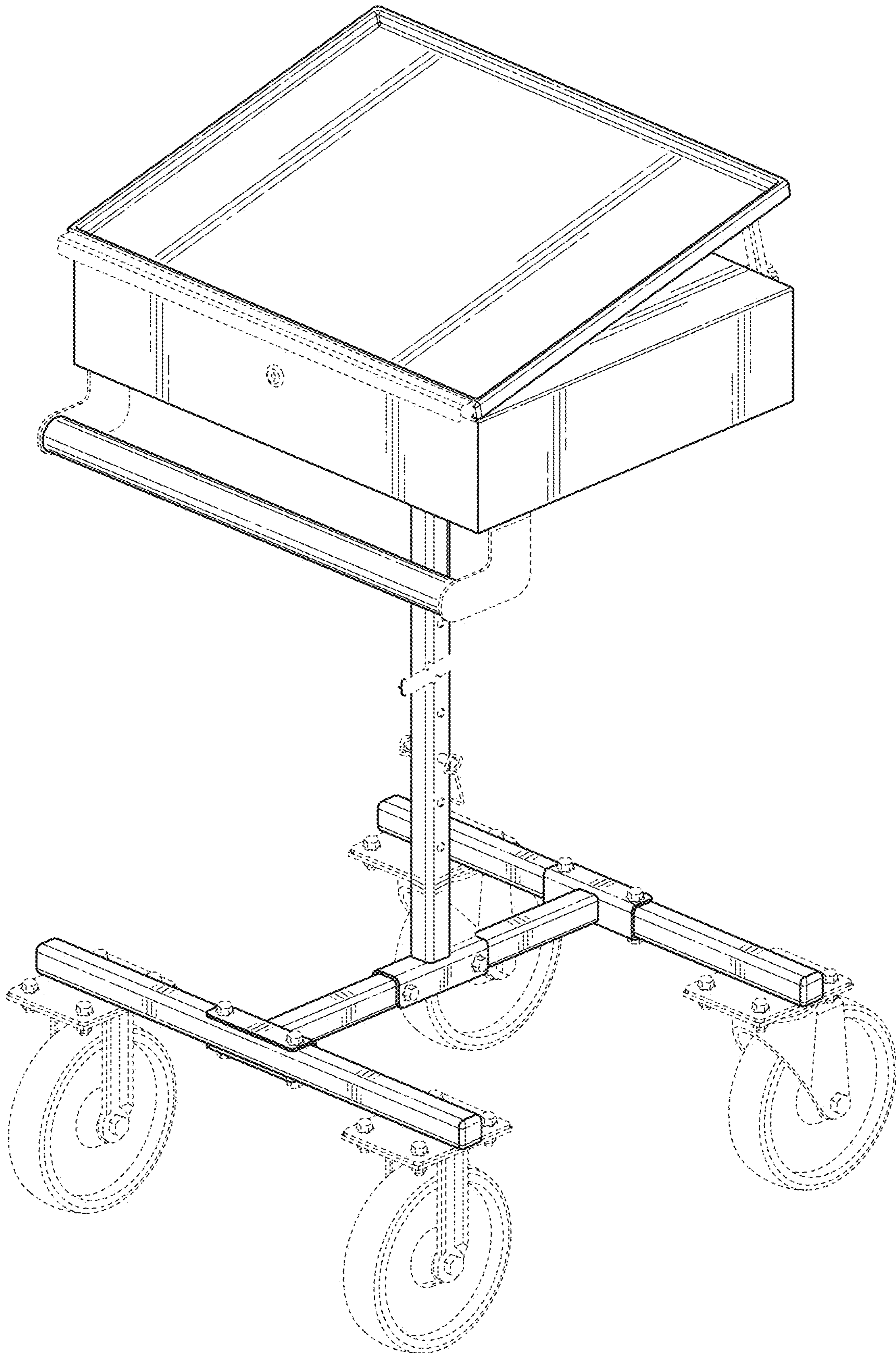


FIG. 9

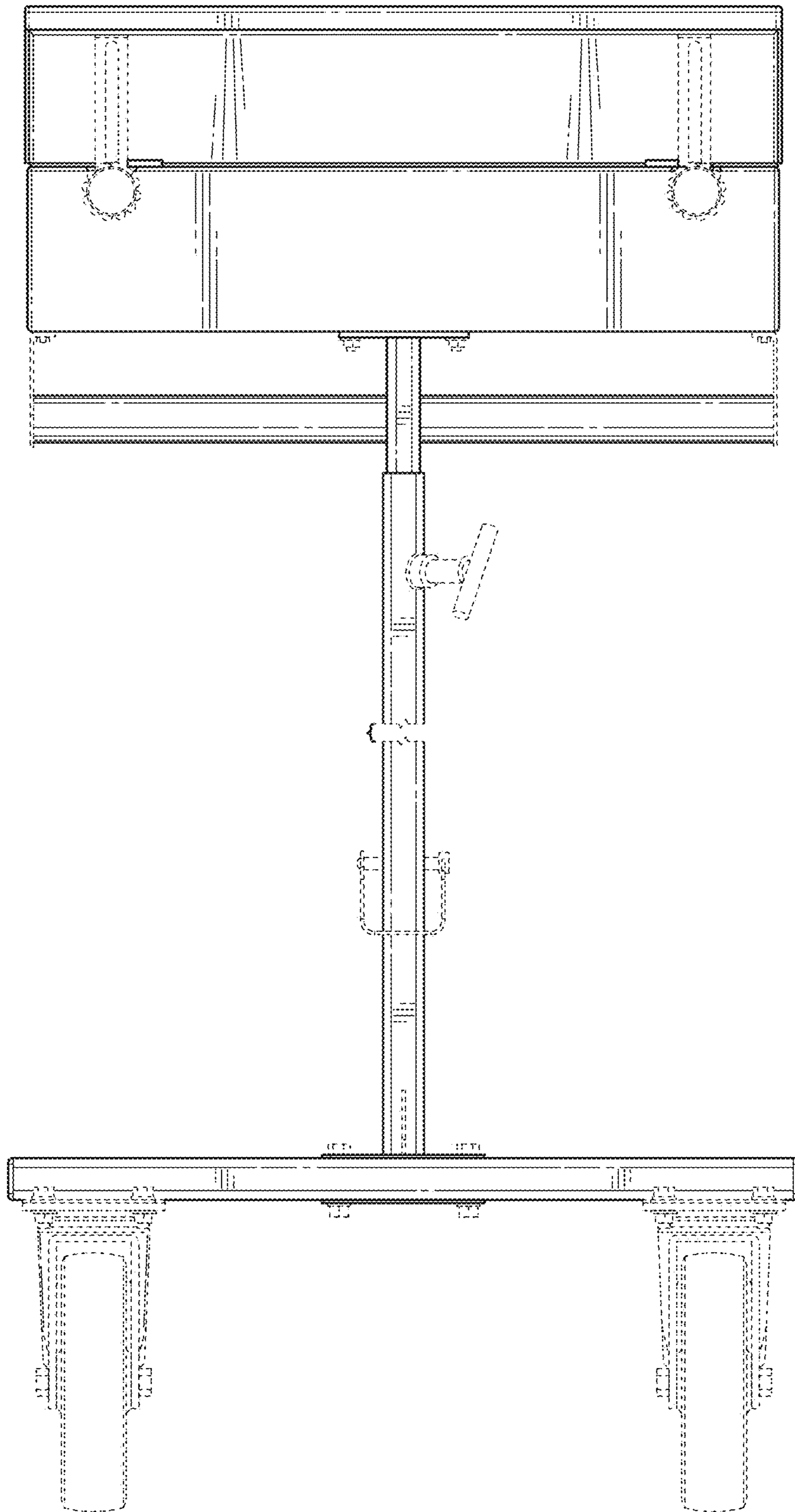


FIG. 10

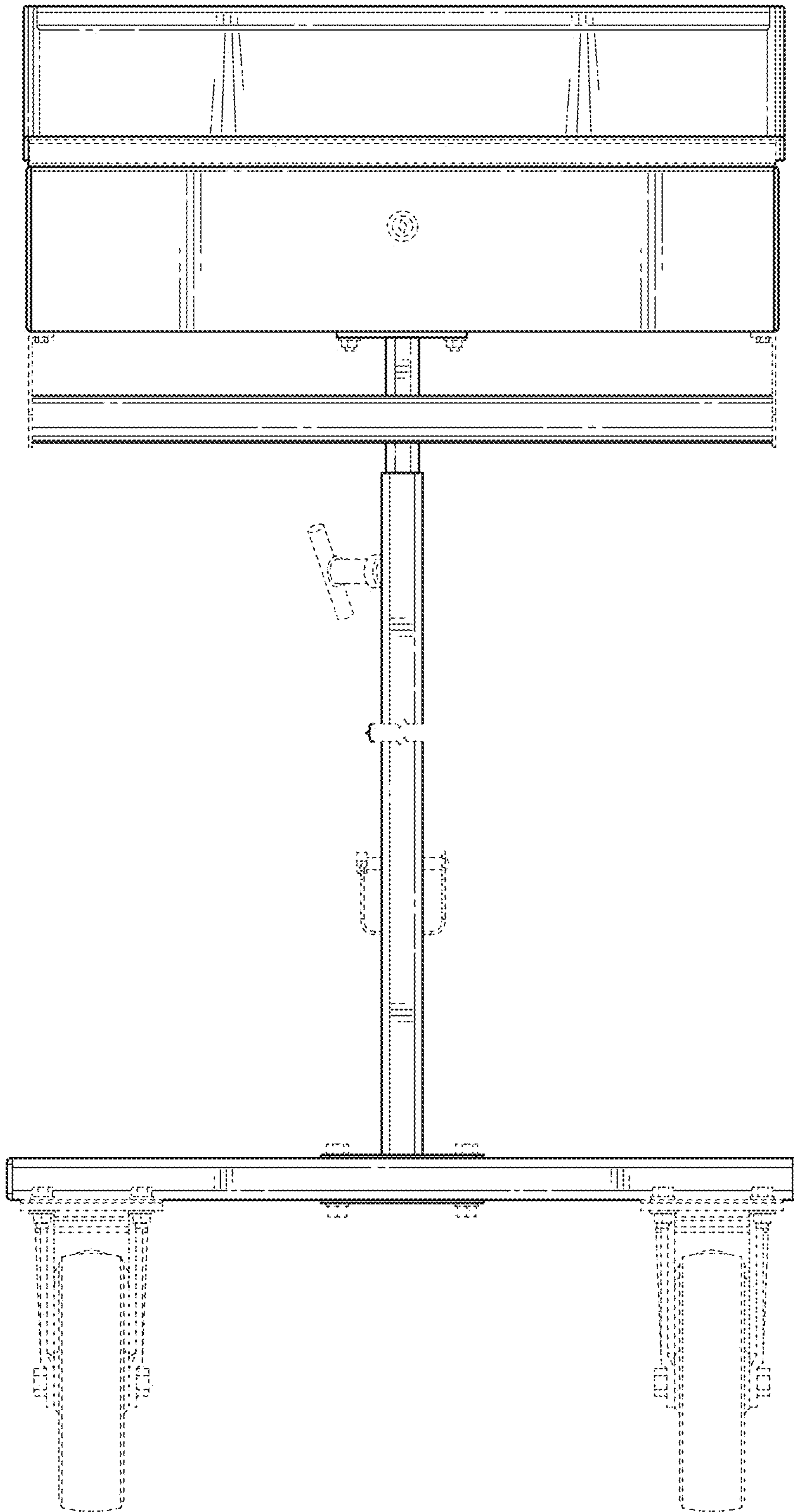


FIG. 11

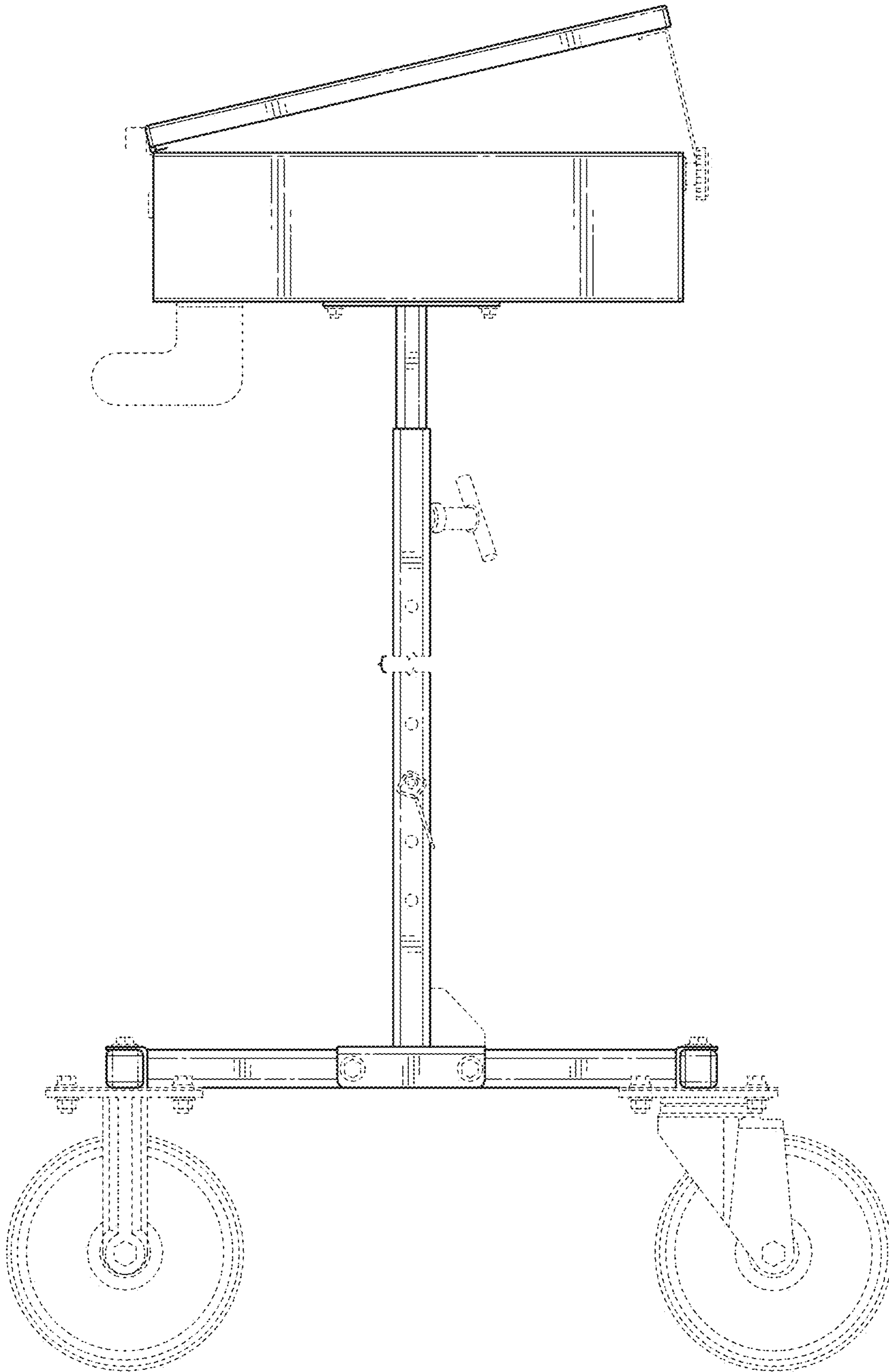


FIG. 12

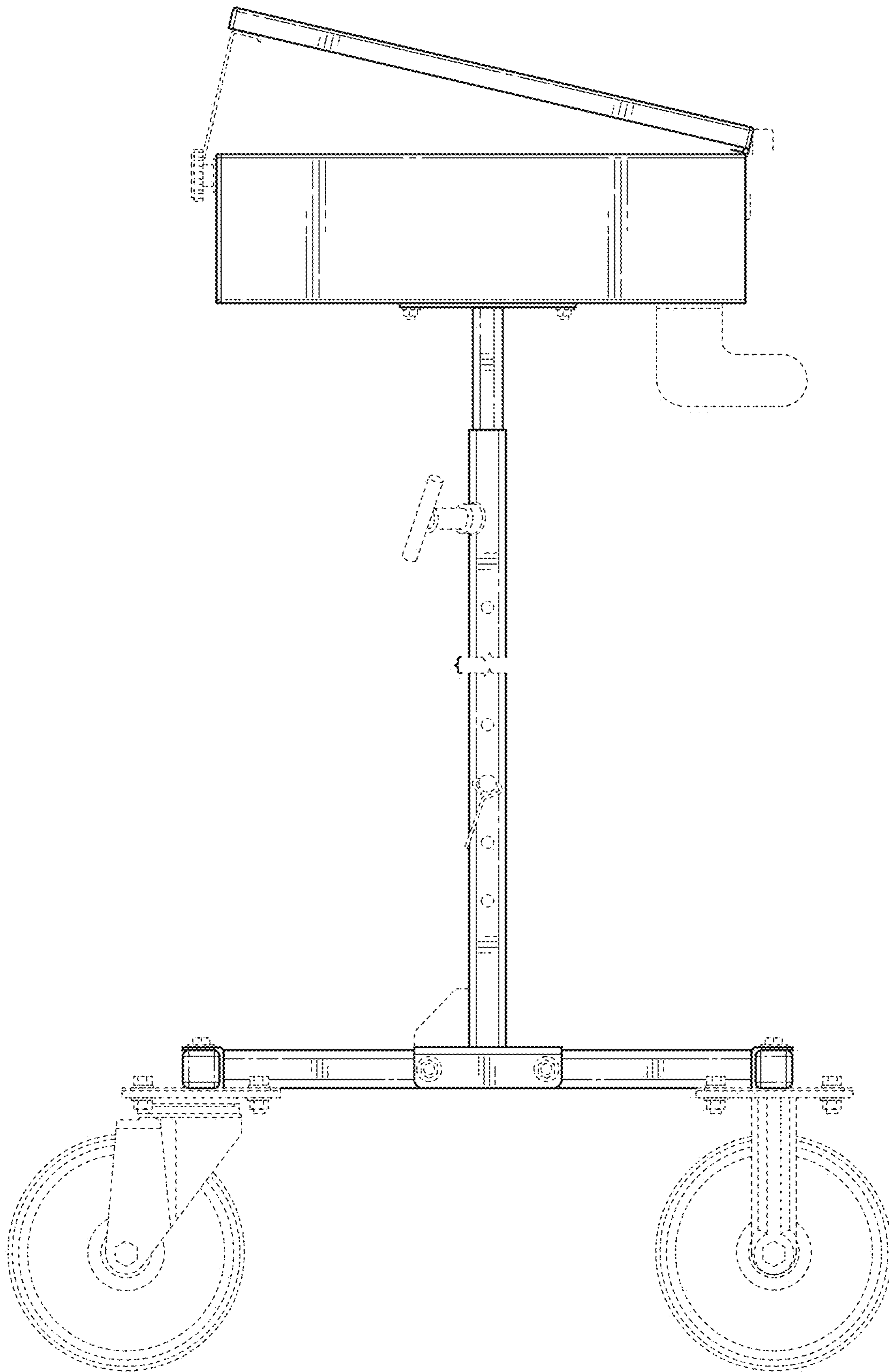


FIG. 13

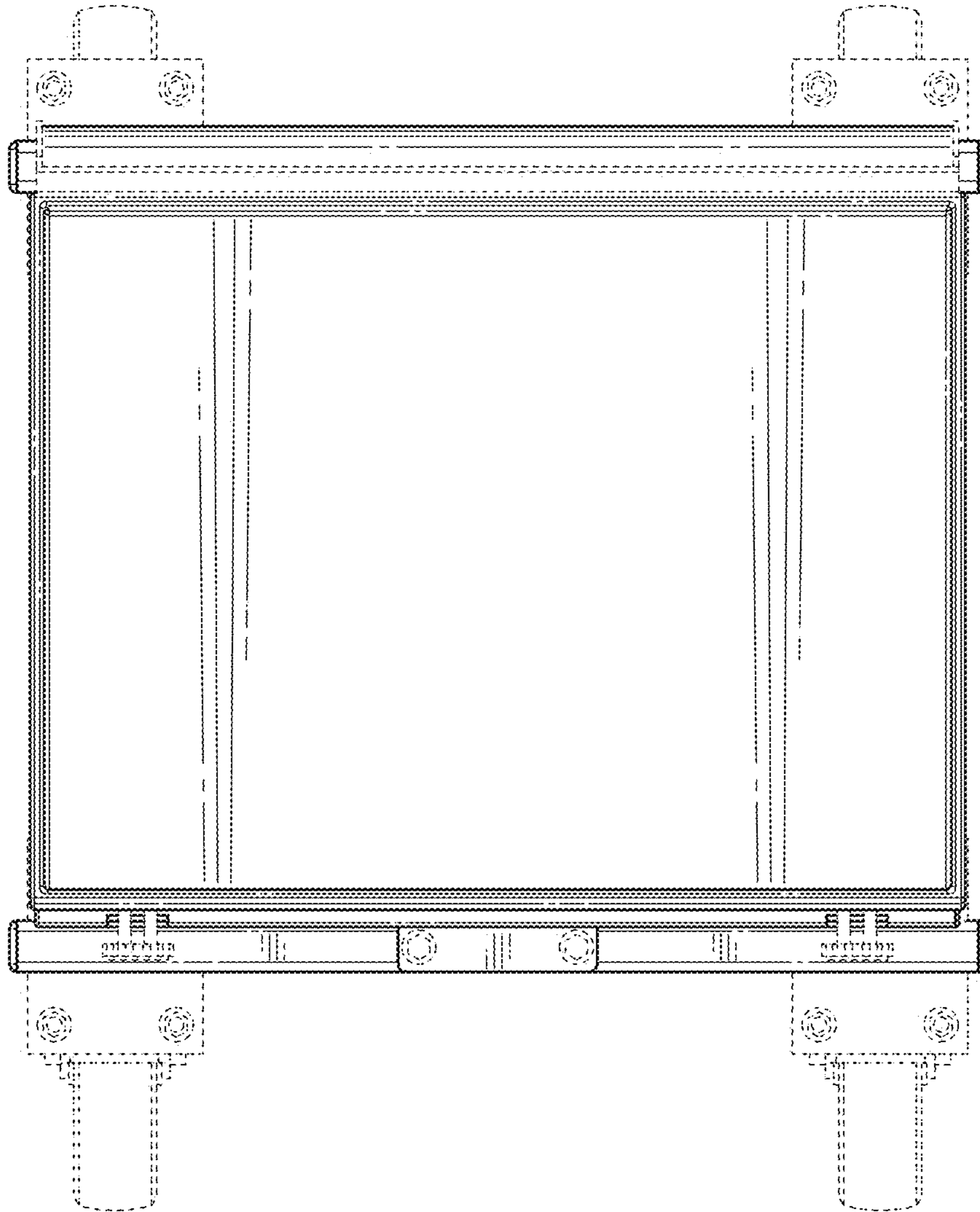


FIG. 14