

US00D916529S

(12) **United States Design Patent** (10) **Patent No.:** **US D916,529 S**
Robinson (45) **Date of Patent:** **** Apr. 20, 2021**

(54) **RECORD HOLDER**
(71) Applicant: **Richard Drake Robinson**, Austin, TX (US)

(72) Inventor: **Richard Drake Robinson**, Austin, TX (US)

(**) Term: **15 Years**

(21) Appl. No.: **29/714,797**

(22) Filed: **Nov. 26, 2019**

(51) **LOC (13) Cl.** **06-06**

(52) **U.S. Cl.**
USPC **D6/627**

(58) **Field of Classification Search**
USPC D6/407, 627, 630, 672-673, 682, 682.3;
D14/314, 432, 474, 478, 217, 299
CPC . G11B 23/00; G11B 23/0014; G11B 23/0021;
G11B 23/0028; G11B 23/005
See application file for complete search history.

(56) **References Cited**

U.S. PATENT DOCUMENTS

- 1,682,060 A * 8/1928 Banks A47B 65/00
211/43
- 2,545,844 A * 3/1951 Cougias A47B 65/00
211/43
- 2,620,929 A * 12/1952 Sportsman A47B 65/15
108/28
- 2,726,318 A * 12/1955 Marschke F21V 33/00
362/134
- 3,052,507 A 9/1962 Wallach
- 3,107,816 A 10/1963 Teagu, Jr. et al.
- D228,109 S * 8/1973 Woods D6/407
- 3,779,621 A 12/1973 Carless
- 4,082,385 A 4/1978 Morrone
- D252,903 S * 9/1979 Brien D6/407
- 4,236,768 A 12/1980 Morrone
- 4,241,955 A 12/1980 Armistead

- 4,305,510 A 12/1981 Eppy
- D272,592 S * 2/1984 Woods D6/407
- 4,620,740 A 11/1986 Kinzig
- 4,655,345 A 4/1987 Drake et al.
- D302,025 S * 7/1989 Shugar D19/34.1
- 5,338,108 A 8/1994 Hunt et al.
- 5,415,297 A * 5/1995 Klein A47B 81/068
108/61
- D364,047 S * 11/1995 Bucher D6/407
- 6,024,241 A 2/2000 Keillor
- D428,277 S * 7/2000 White D6/407
- D445,276 S * 7/2001 Steinberg D6/407
- 6,272,727 B1 8/2001 Fish
- 6,308,839 B1 * 10/2001 Steinberg G11B 23/0236
211/184

(Continued)

FOREIGN PATENT DOCUMENTS

- GB 181776 6/1922
- WO 8102829 10/1981

Primary Examiner — Kelley A Donnelly
(74) *Attorney, Agent, or Firm* — The Law Office of H. Dale Langley, Jr. P.C.

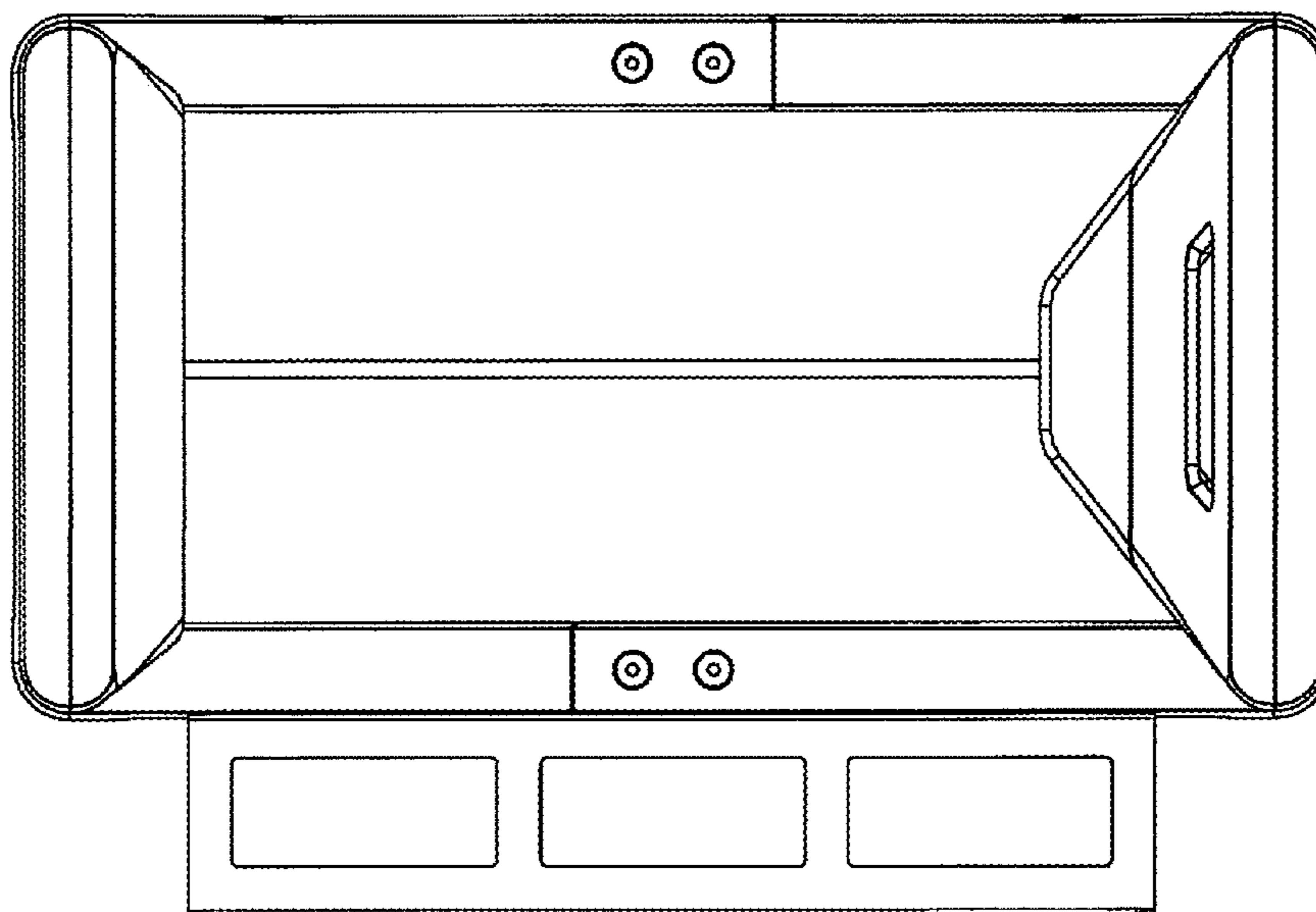
(57) **CLAIM**

The ornamental design for a record holder, as shown and described.

DESCRIPTION

FIG. 1 is a top, view of a record holder;
FIG. 2 is a left side view of a record holder;
FIG. 3 is a right side view of a record holder;
FIG. 4 is a rear view of a record holder;
FIG. 5 is a front view of a record holder;
FIG. 6 is a bottom view of a record holder;
FIG. 7 is a top, front perspective view of a record holder;
and,
FIG. 8 is a top, front perspective view of a record holder;
according to certain embodiments of the invention.

1 Claim, 7 Drawing Sheets



(56)

References Cited

U.S. PATENT DOCUMENTS

6,334,540 B1 * 1/2002 Plutsky A47F 5/083
211/43
D516,361 S * 3/2006 Penarroya Farell D6/627
7,178,885 B2 2/2007 Berkson et al.
8,627,965 B2 * 1/2014 Hardy A47F 1/126
211/59.3

* cited by examiner

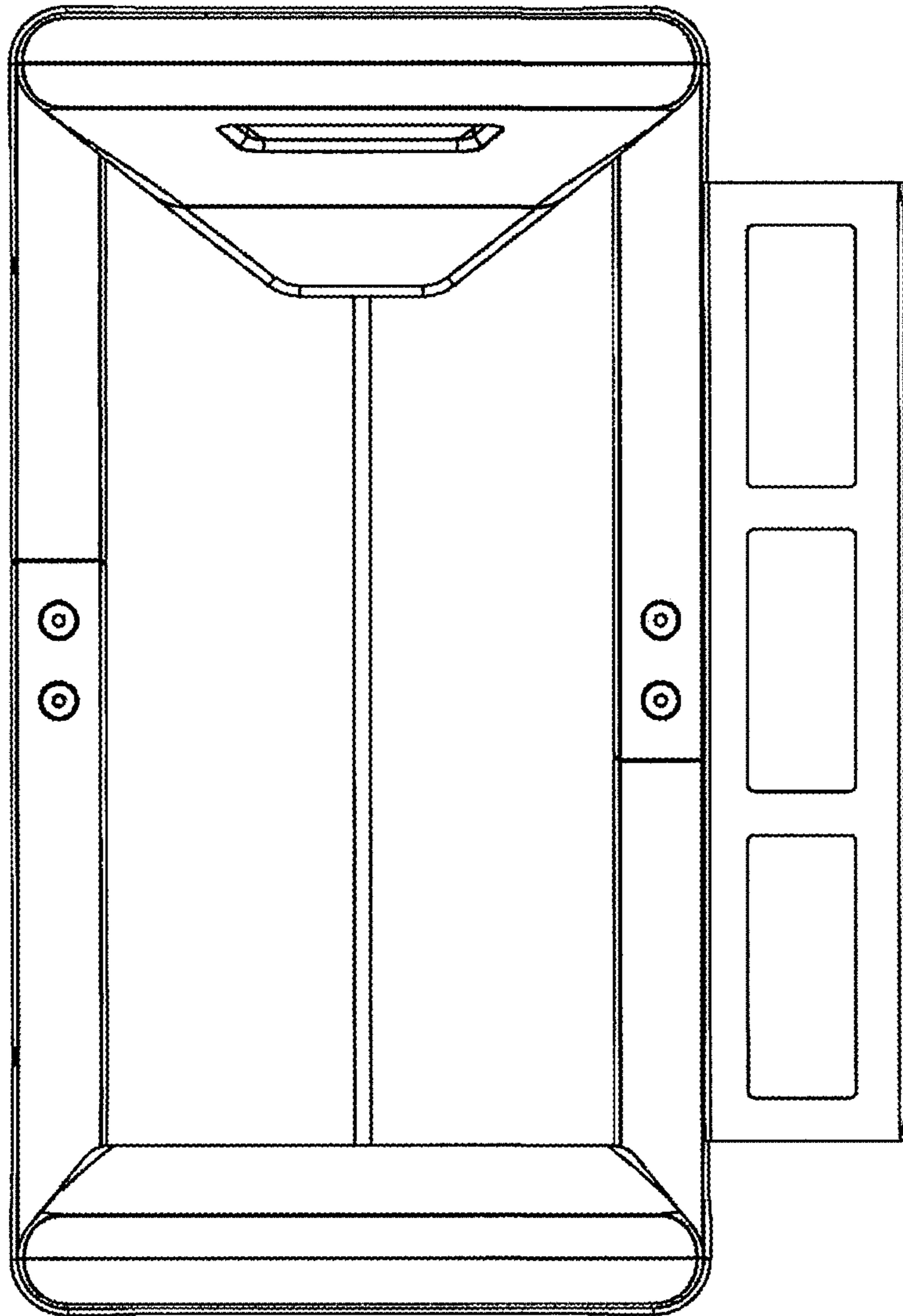


Fig. 1

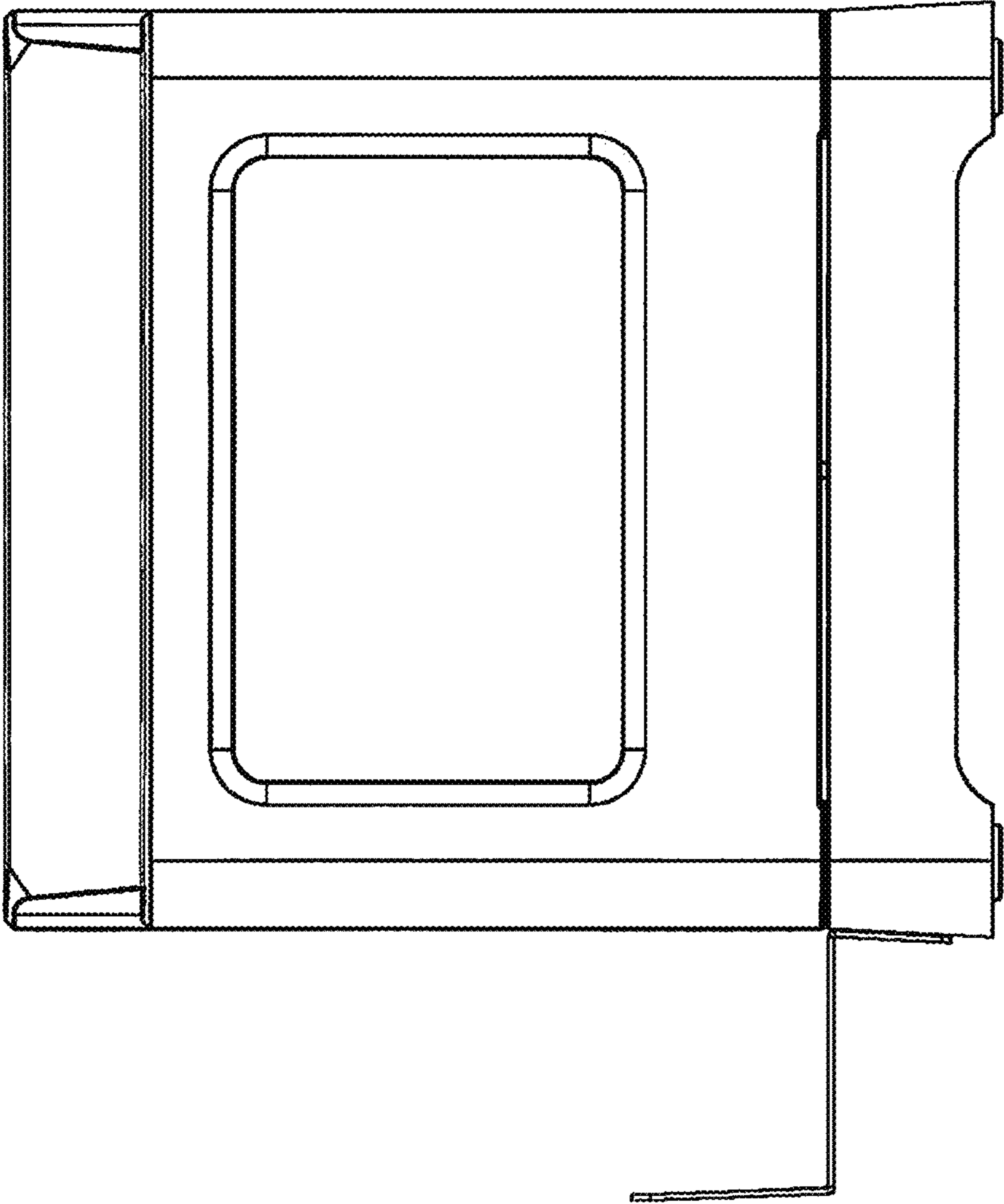


Fig. 2

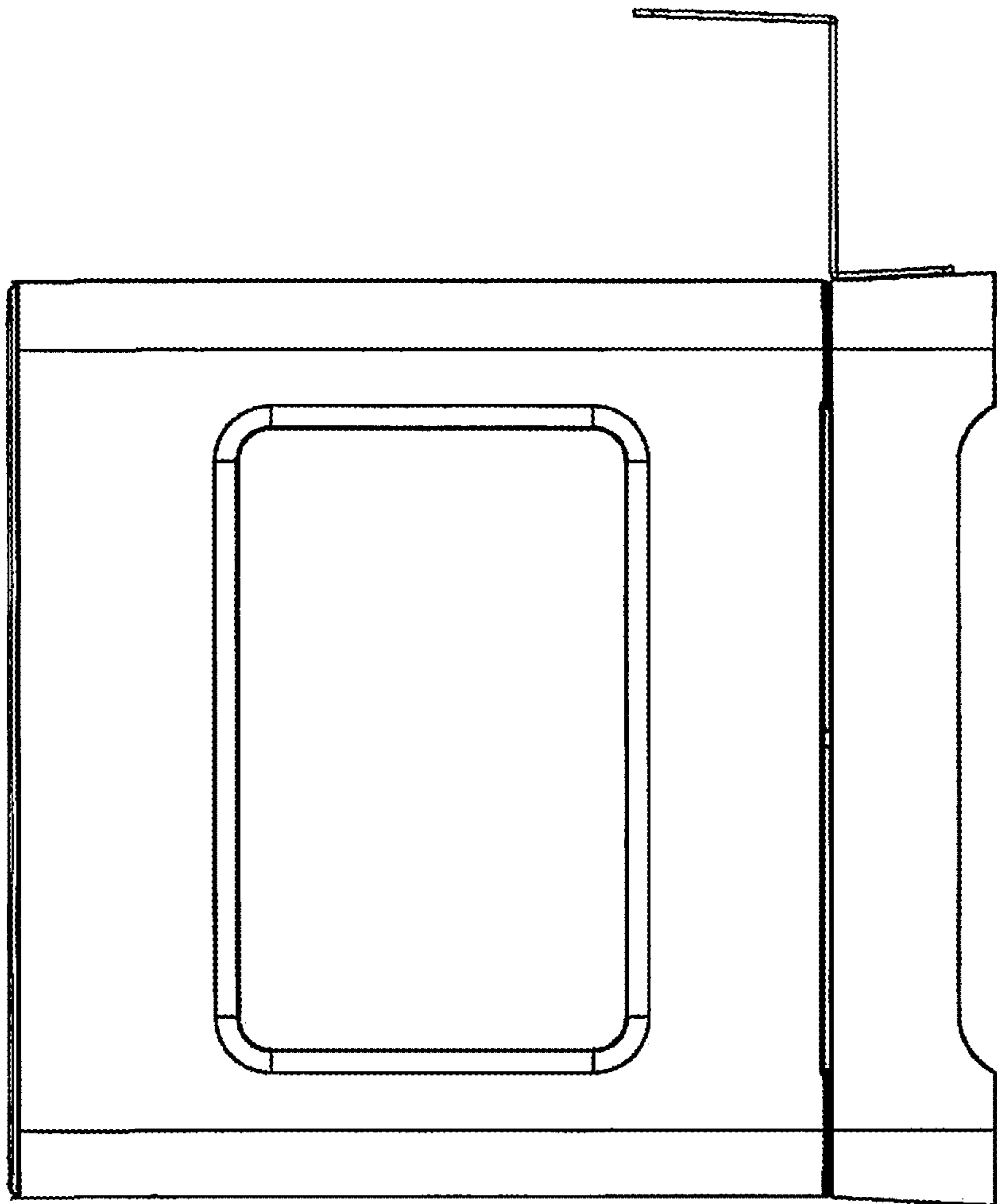


Fig. 3

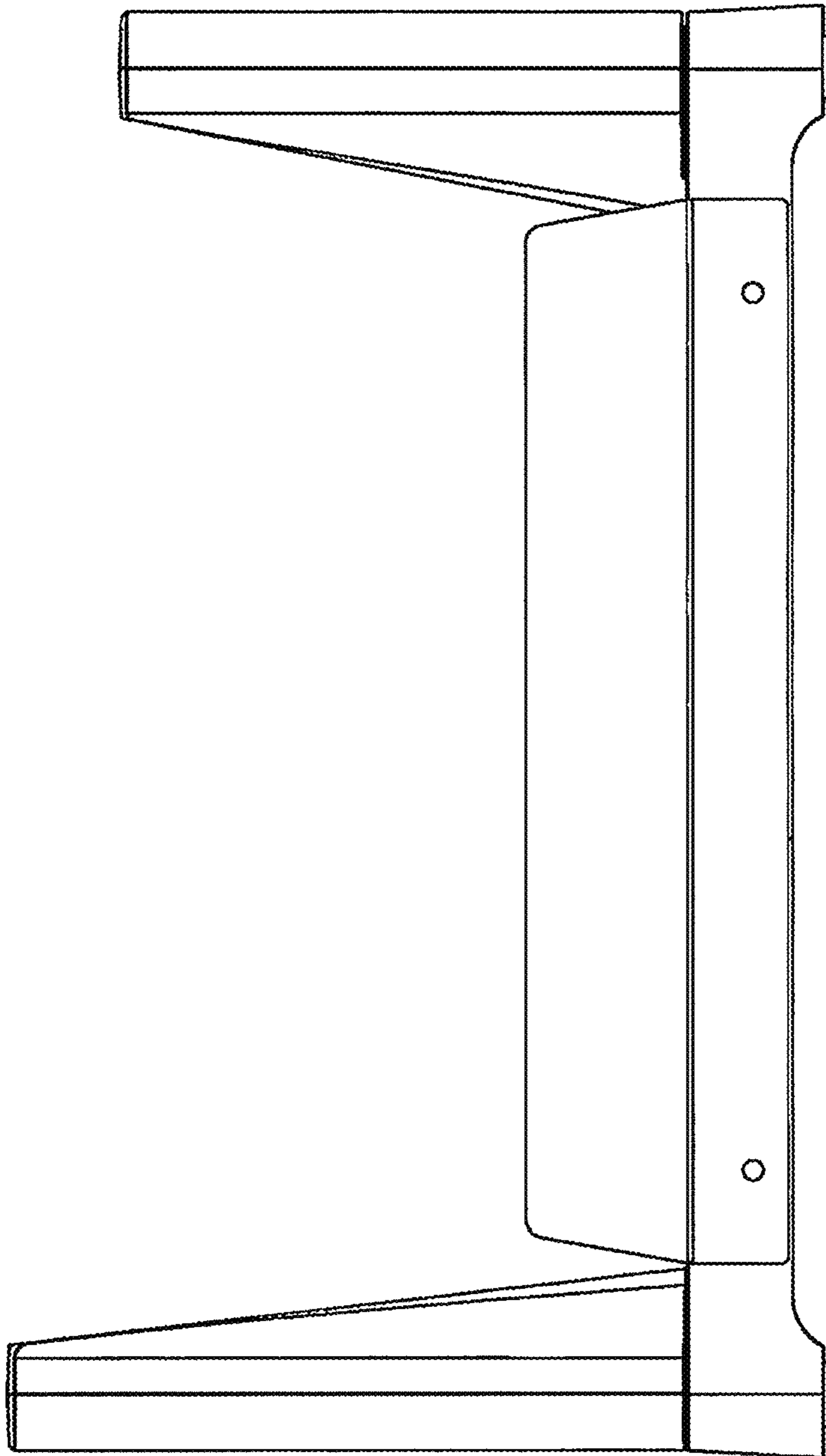


Fig. 4

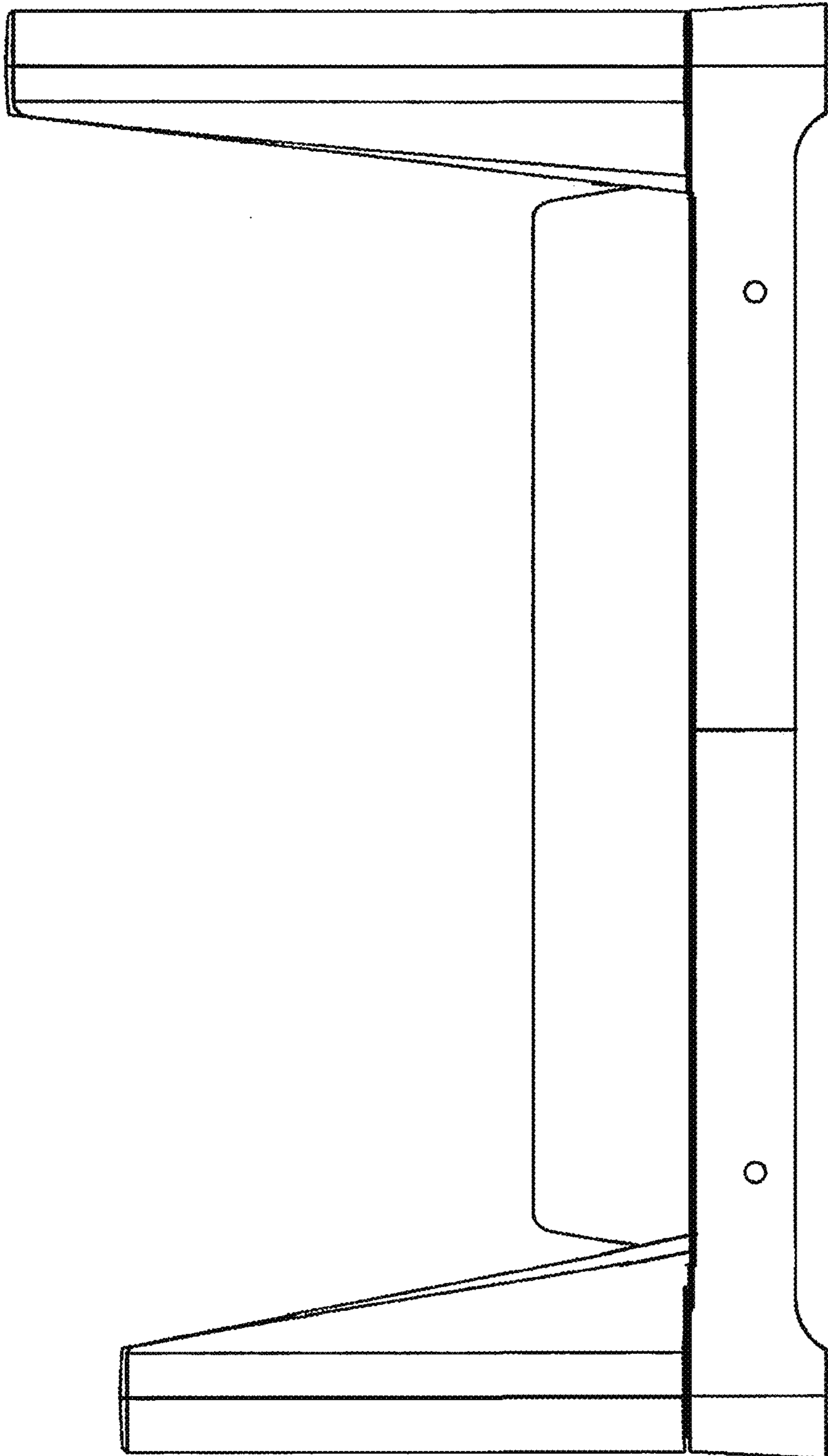


Fig. 5

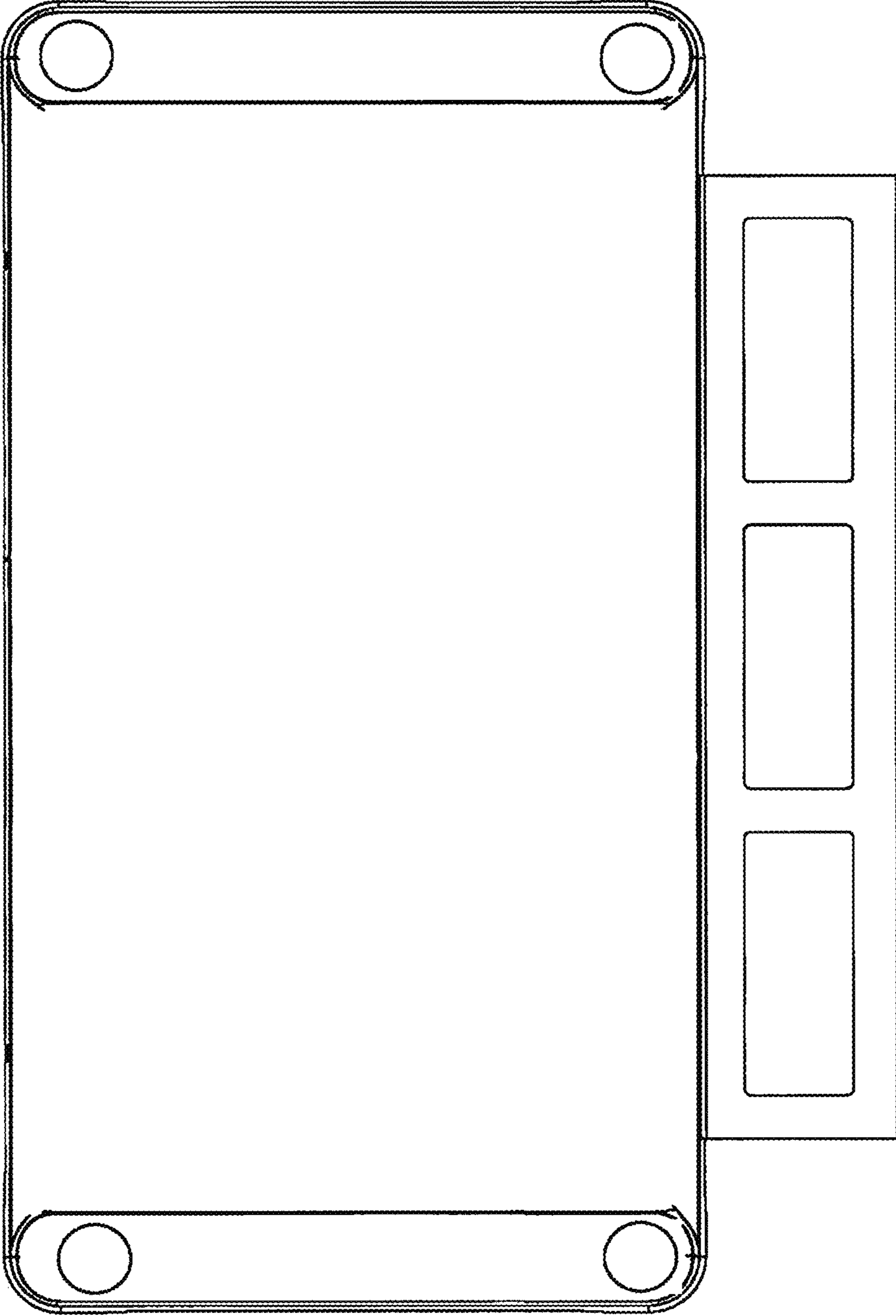


Fig. 6

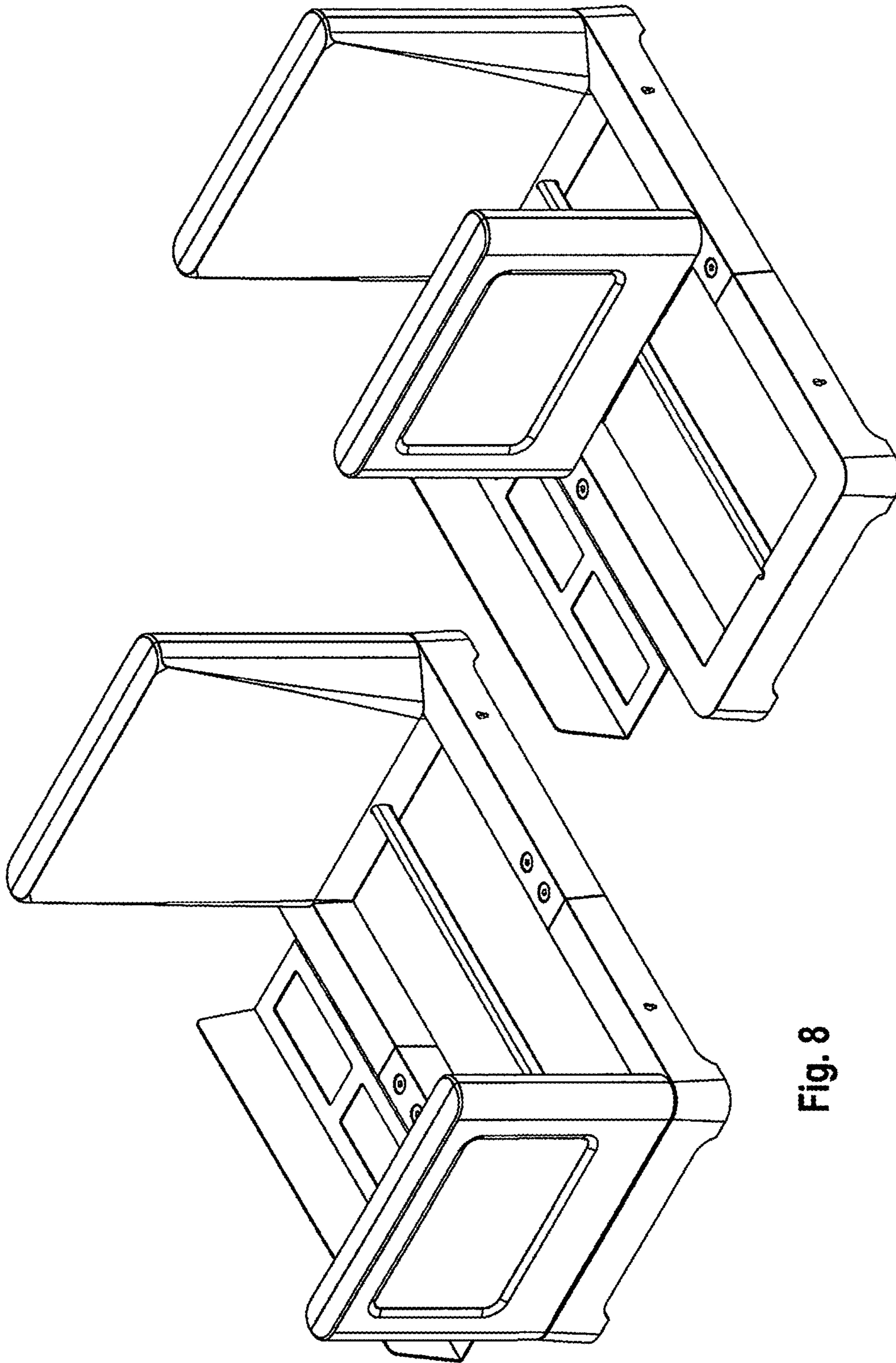


Fig. 7

Fig. 8