

US00D916527S

(12) **United States Design Patent**
Feng

(10) **Patent No.:** **US D916,527 S**

(45) **Date of Patent:** **** Apr. 20, 2021**

(54) **BARBER CHAIR BOOSTER SEAT CUSHION**

(71) Applicant: **Sijing Feng**, Shaoguan (CN)

(72) Inventor: **Sijing Feng**, Shaoguan (CN)

(**) Term: **15 Years**

(21) Appl. No.: **29/717,960**

(22) Filed: **Dec. 20, 2019**

(51) **LOC (13) Cl.** **06-09**

(52) **U.S. Cl.**
USPC **D6/601; D6/333**

(58) **Field of Classification Search**
USPC D6/582-583, 587-592, 595-609,
D6/617-622, 333; D21/803-809;
D24/183
CPC A47G 9/00; A47G 2009/001; A47G
2009/002; A47G 2009/003; A47G 9/10;
A47G 9/1009; A47G 2009/1018; A47G
9/1045; A47G 9/1081; A47G 9/109

See application file for complete search history.

(56) **References Cited**

U.S. PATENT DOCUMENTS

D319,751 S *	9/1991	Hoff	D6/601
D321,562 S *	11/1991	Ljungvall	D24/183
5,216,771 A *	6/1993	Hoff	A47C 20/021 5/490
D348,783 S *	7/1994	Young	D6/333
D377,423 S *	1/1997	Latrella	D6/333
D531,682 S *	11/2006	Farris, Jr.	D21/682
D691,222 S *	10/2013	Sterios	D21/686

D702,329 S *	4/2014	Cerda	D23/269
8,939,505 B1 *	1/2015	Dreyer	A47C 20/02 297/219.1
9,775,440 B1 *	10/2017	Chon	A47C 20/021
D807,973 S *	1/2018	Leonardo	D21/686
10,602,850 B2 *	3/2020	Green	A61G 13/1235
D896,550 S *	9/2020	Cane	D6/601
2001/0027577 A1 *	10/2001	Frydman	A47C 20/021 5/648
2008/0092297 A1 *	4/2008	Davis	A47C 20/021 5/648
2016/0316914 A1 *	11/2016	Varga	A61G 5/1091

* cited by examiner

Primary Examiner — Jennifer L Rempfer

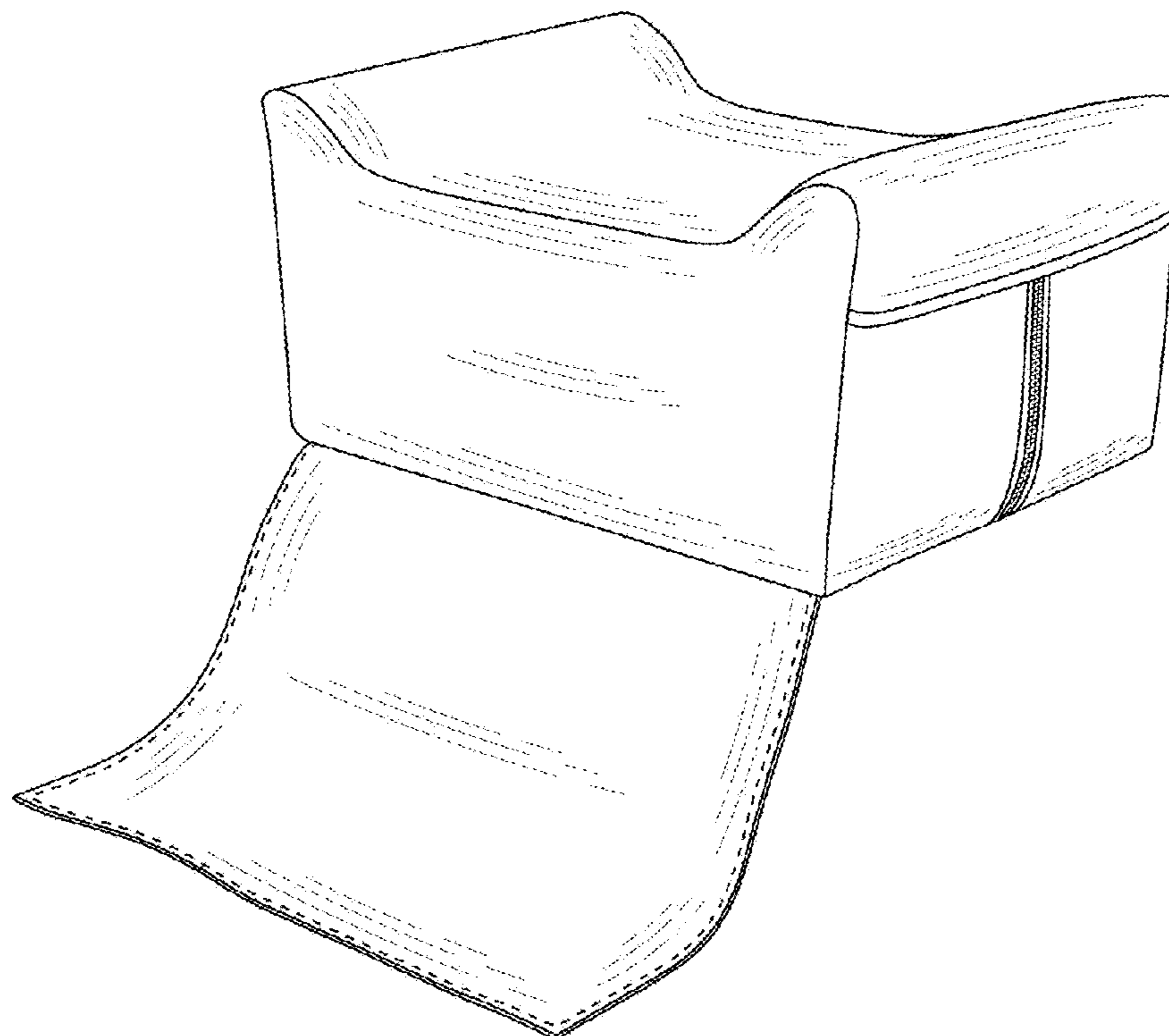
(57) **CLAIM**

The ornamental design for an barber chair booster seat cushion, as shown and described.

DESCRIPTION

FIG. 1 is a perspective view of an barber chair booster seat cushion showing my new design;
FIG. 2 is a front elevation view thereof;
FIG. 3 is a rear elevation view thereof;
FIG. 4 is a left side elevation view thereof;
FIG. 5 is a right side elevation view thereof;
FIG. 6 is a top plan view thereof; and,
FIG. 7 is a bottom plan view thereof.
The broken lines depict stitching lines which form part of the claimed design.

1 Claim, 7 Drawing Sheets



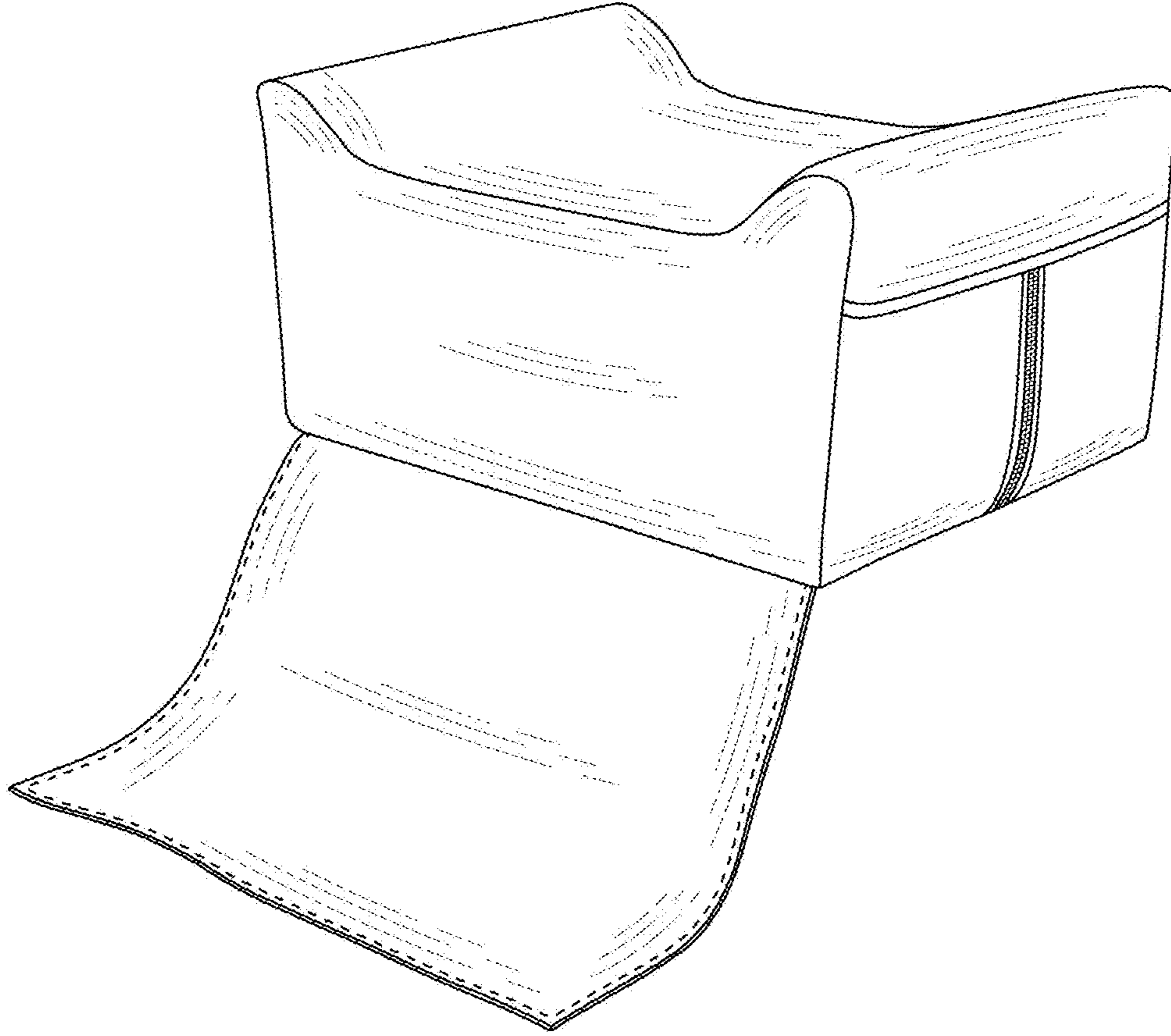


FIG.1

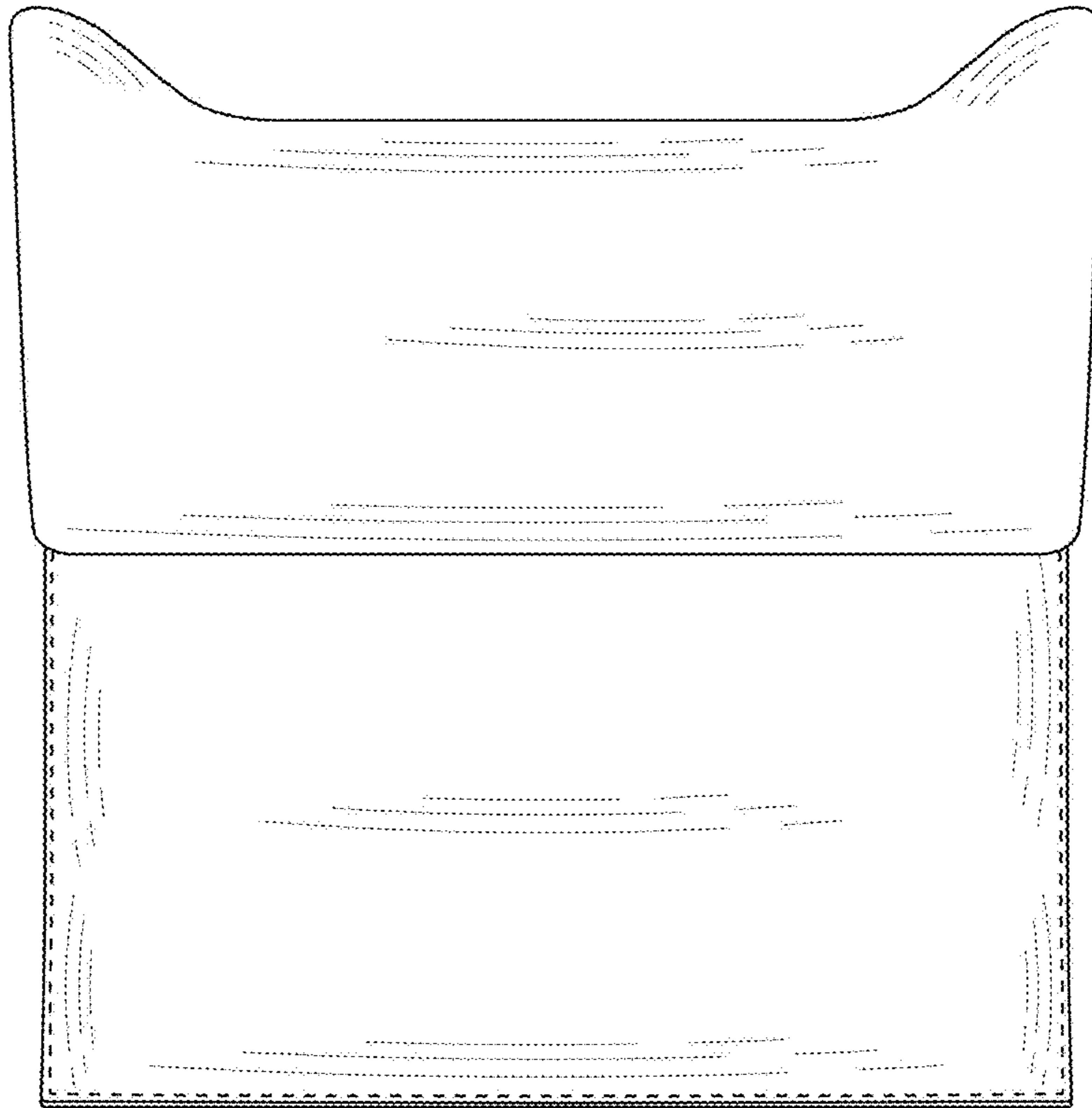


FIG.2

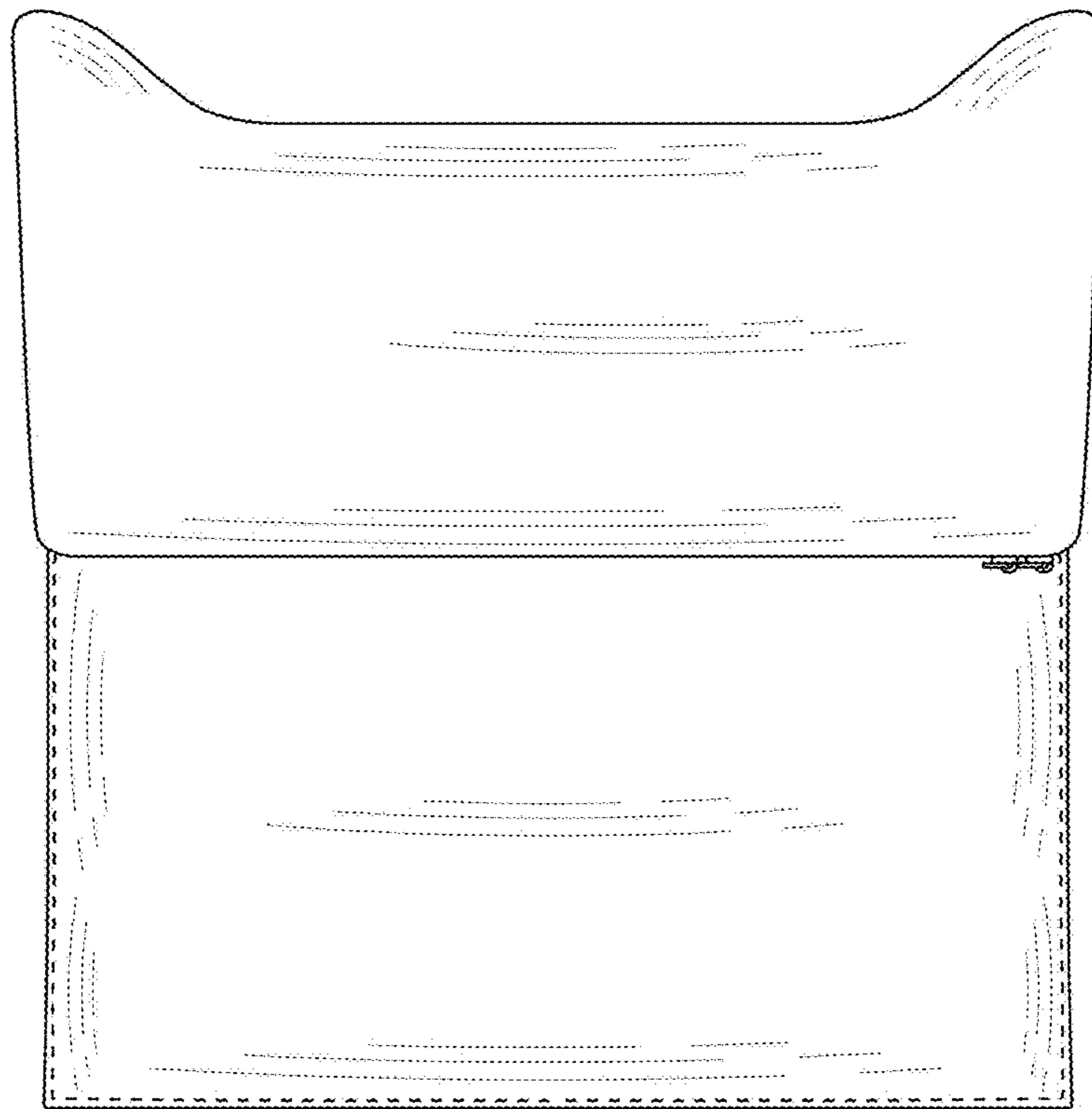


FIG.3

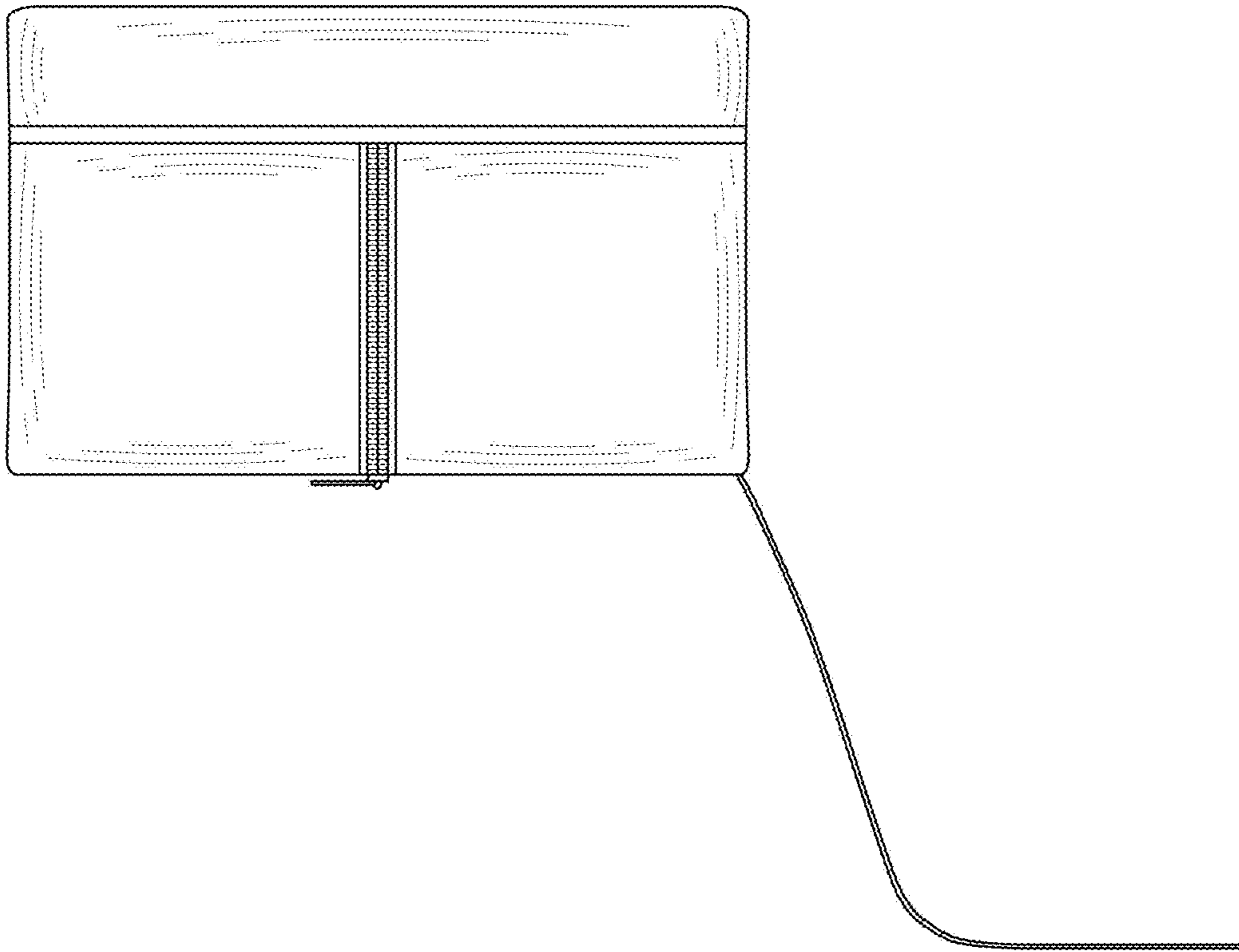


FIG.4

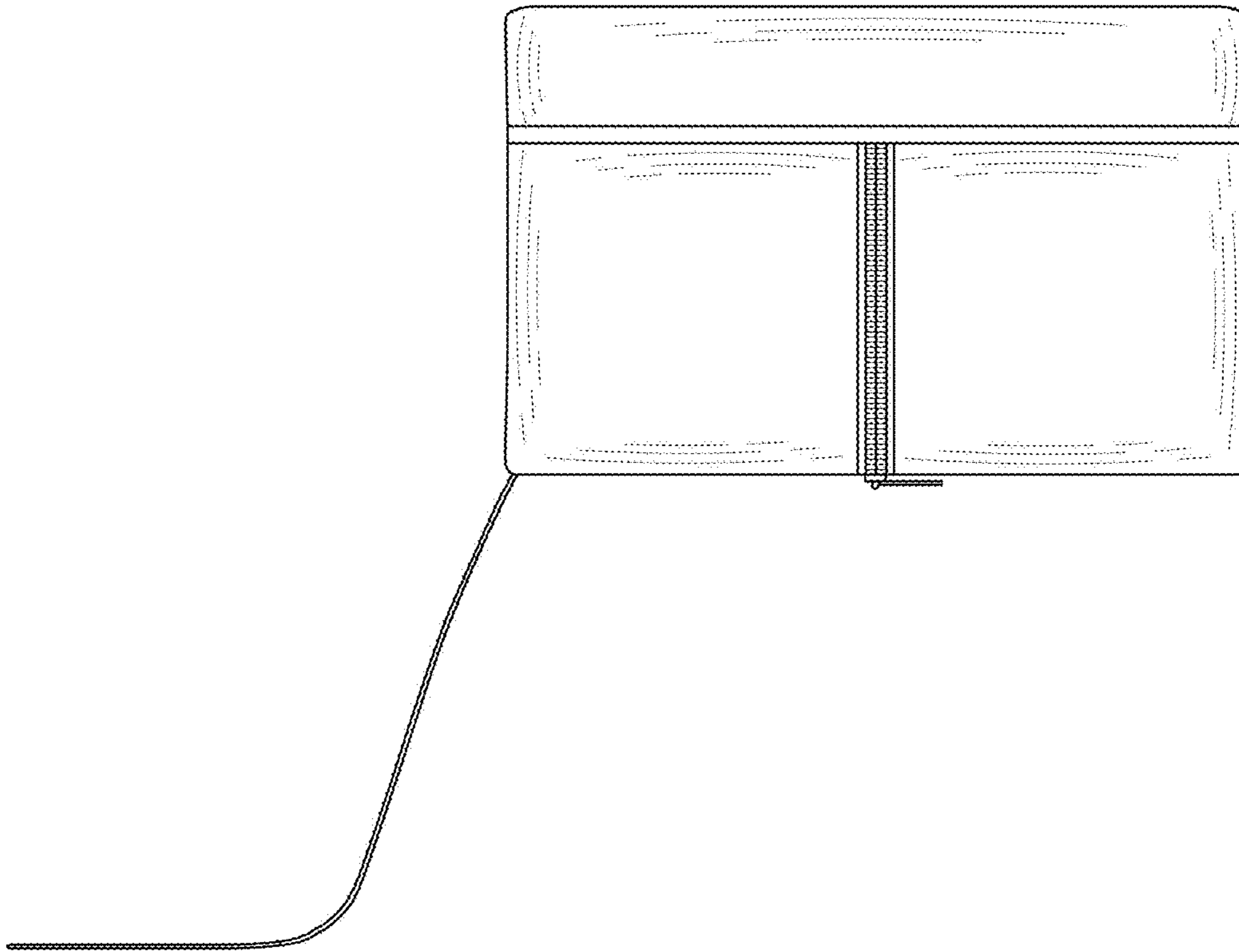


FIG.5

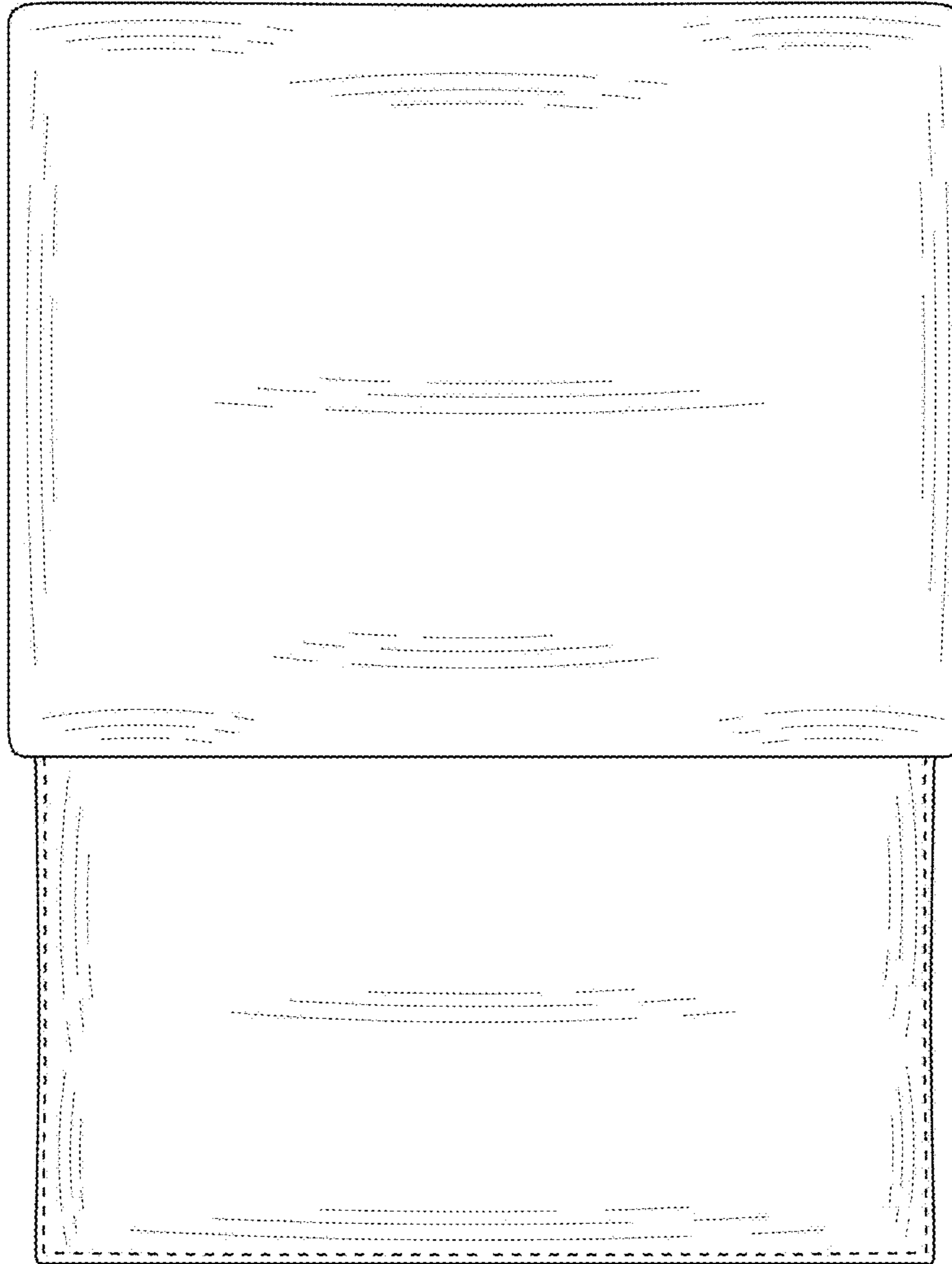


FIG.6

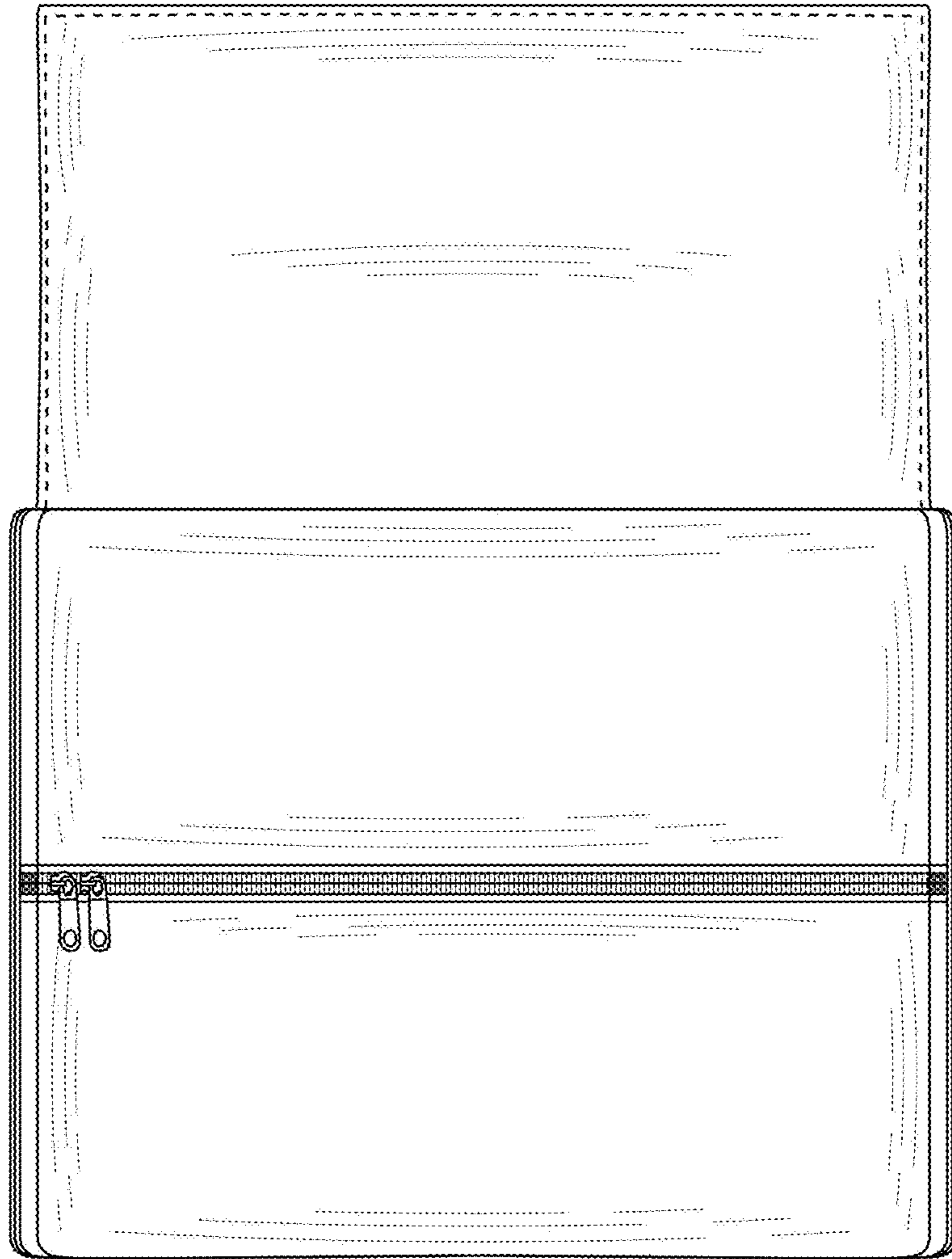


FIG. 7