



US00D916525S

(12) **United States Design Patent**
Pan

(10) **Patent No.:** **US D916,525 S**

(45) **Date of Patent:** **** Apr. 20, 2021**

(54) **WALL SHELF**

(71) Applicant: **Weihao Pan**, Quanzhou (CN)

(72) Inventor: **Weihao Pan**, Quanzhou (CN)

(**) Term: **15 Years**

(21) Appl. No.: **29/755,501**

(22) Filed: **Oct. 21, 2020**

(51) **LOC (13) Cl.** **06-04**

(52) **U.S. Cl.**
USPC **D6/574**

(58) **Field of Classification Search**

USPC D6/572, 574, 320-324, 612, 618, 641,
D6/685, 694, 553, 570, 571, 705, 706;
D7/698; D26/672; 108/28-29, 152;
211/13.1, 42, 86.01, 88.01, 90.01, 90.03,
211/126.1, 134, 153, 187; 248/205.3,
248/235, 243, 247, 250, 242; 206/557
CPC A47B 43/00; A47B 43/04; A47B 47/0066;
A47B 47/04; A47B 63/00; A47B 69/00;
A47B 71/00

See application file for complete search history.

(56) **References Cited**

U.S. PATENT DOCUMENTS

D406,476 S * 3/1999 Boije D6/574
D458,791 S * 6/2002 Harwanko D6/570

D477,490 S 7/2003 Hoernig
D479,932 S 9/2003 Clucas
D491,751 S 6/2004 Harwanko
D491,752 S 6/2004 Harwanko
D512,867 S 12/2005 Gates et al.
D716,581 S 11/2014 Davis
D832,613 S * 11/2018 Parikh D6/574
D834,856 S * 12/2018 Parikh D6/574

* cited by examiner

Primary Examiner — Mark Booker

(74) *Attorney, Agent, or Firm* — Rumit Ranjit Kanakia

(57) **CLAIM**

I claim the ornamental design for a wall shelf, as shown and described.

DESCRIPTION

FIG. 1 is a Perspective view of a wall shelf showing my new design;

FIG. 2 is a Back perspective view thereof;

FIG. 3 is a Front view thereof;

FIG. 4 is a Back view thereof;

FIG. 5 is a Right-side view thereof;

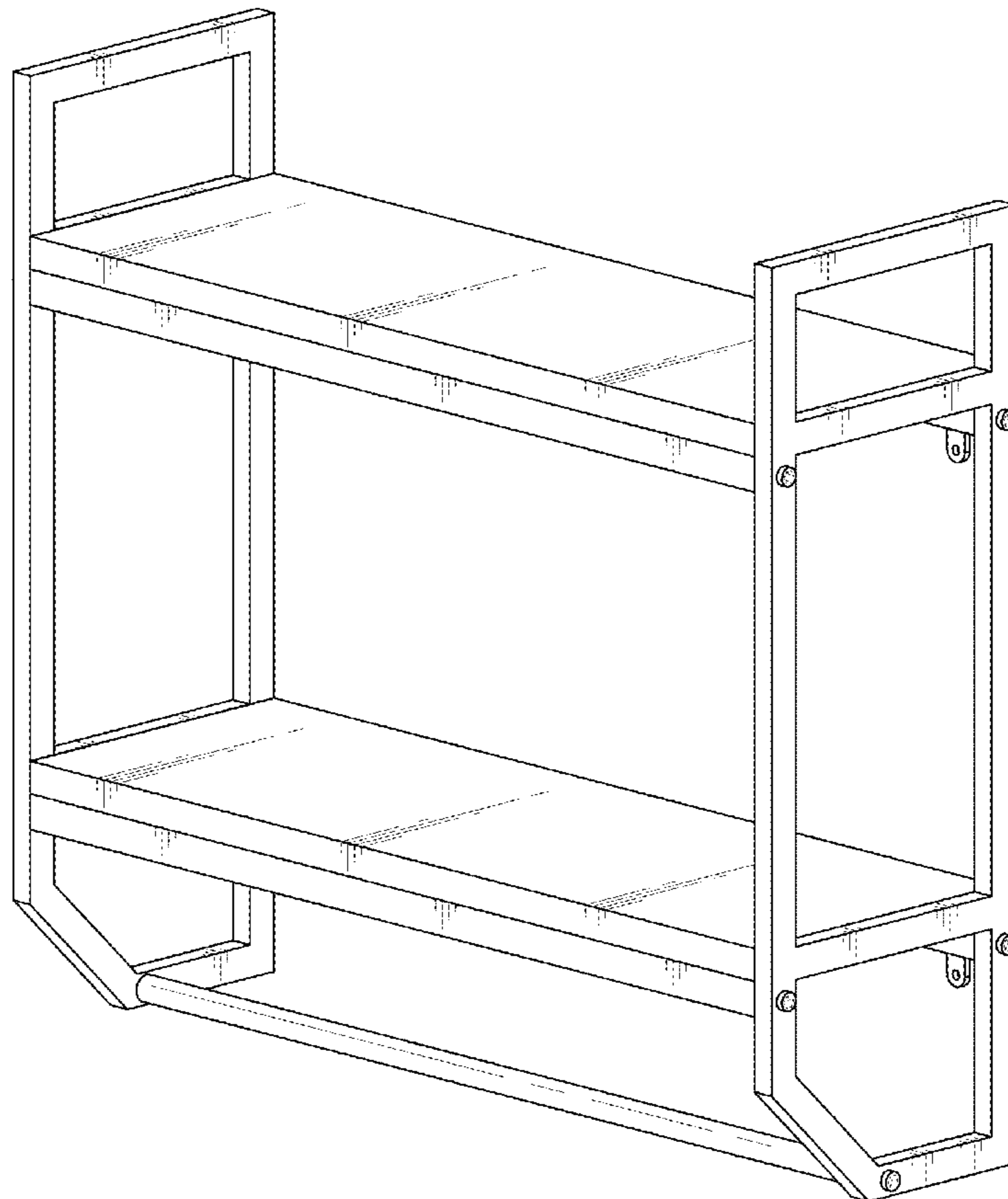
FIG. 6 is a Left-side view thereof;

FIG. 7 is a Top view thereof; and,

FIG. 8 is a Bottom view thereof.

The broken lines are for the purpose of illustrating portions of the article that form no part of the claim.

1 Claim, 7 Drawing Sheets



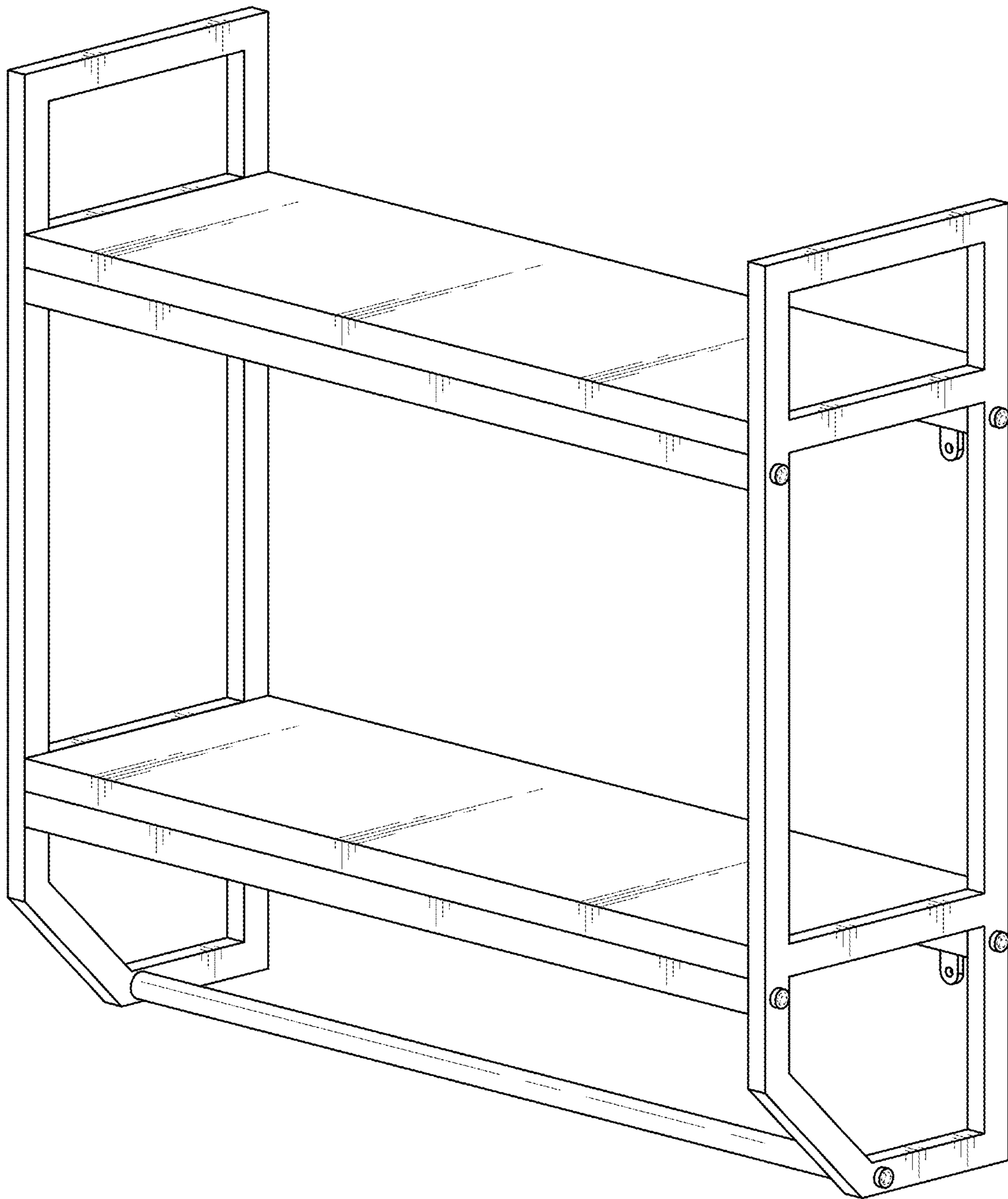


FIG. 1

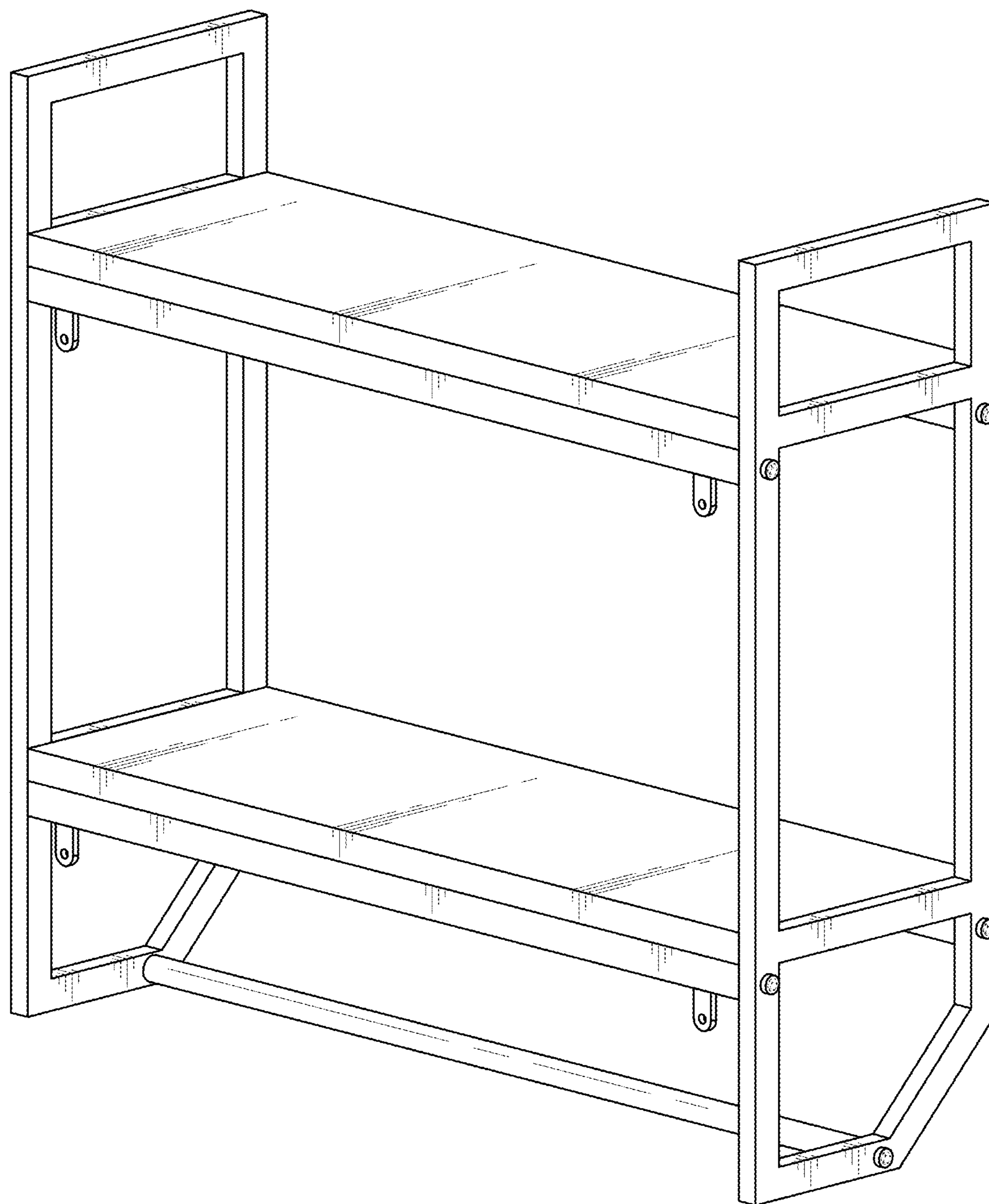


FIG. 2

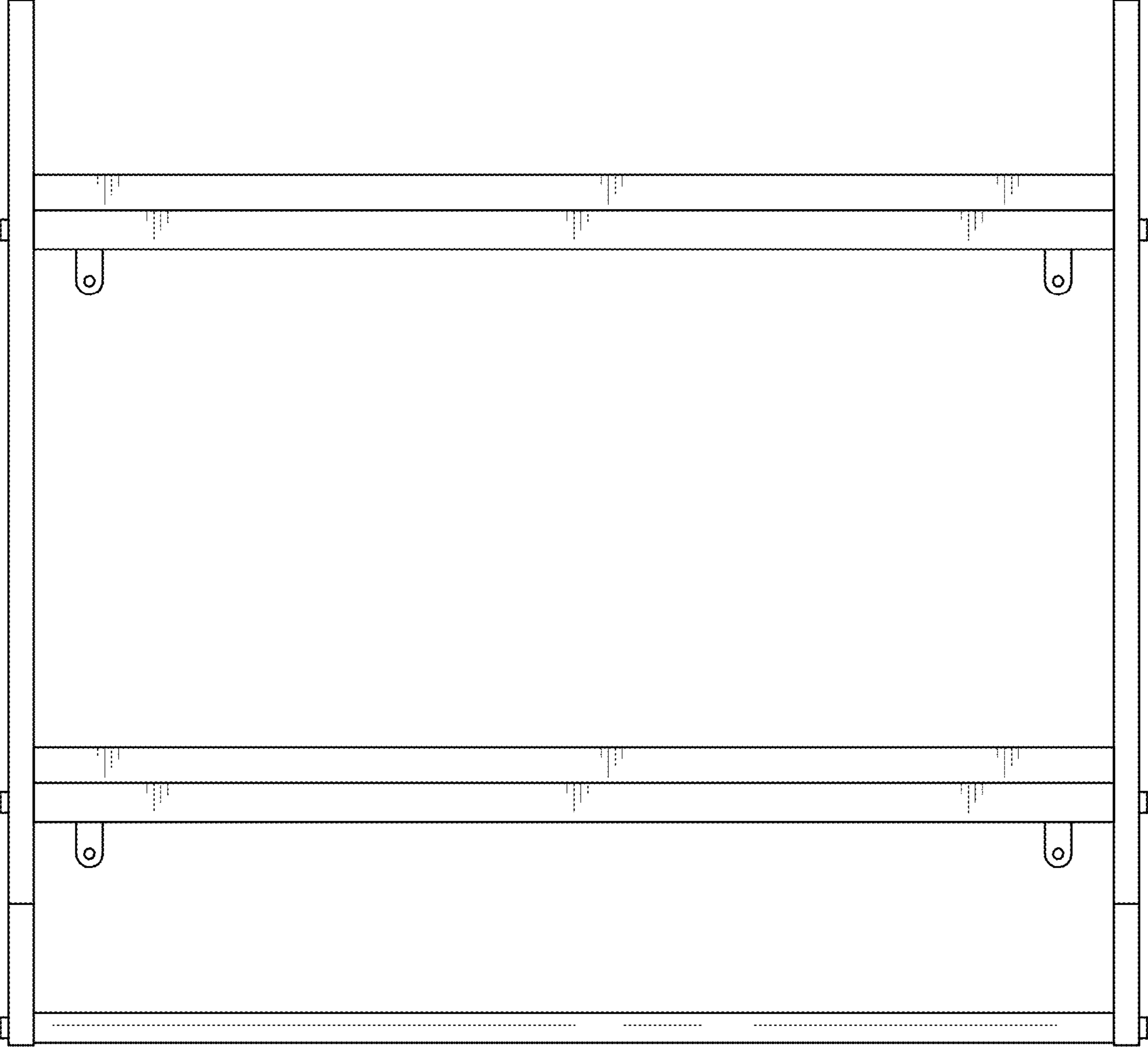


FIG. 3

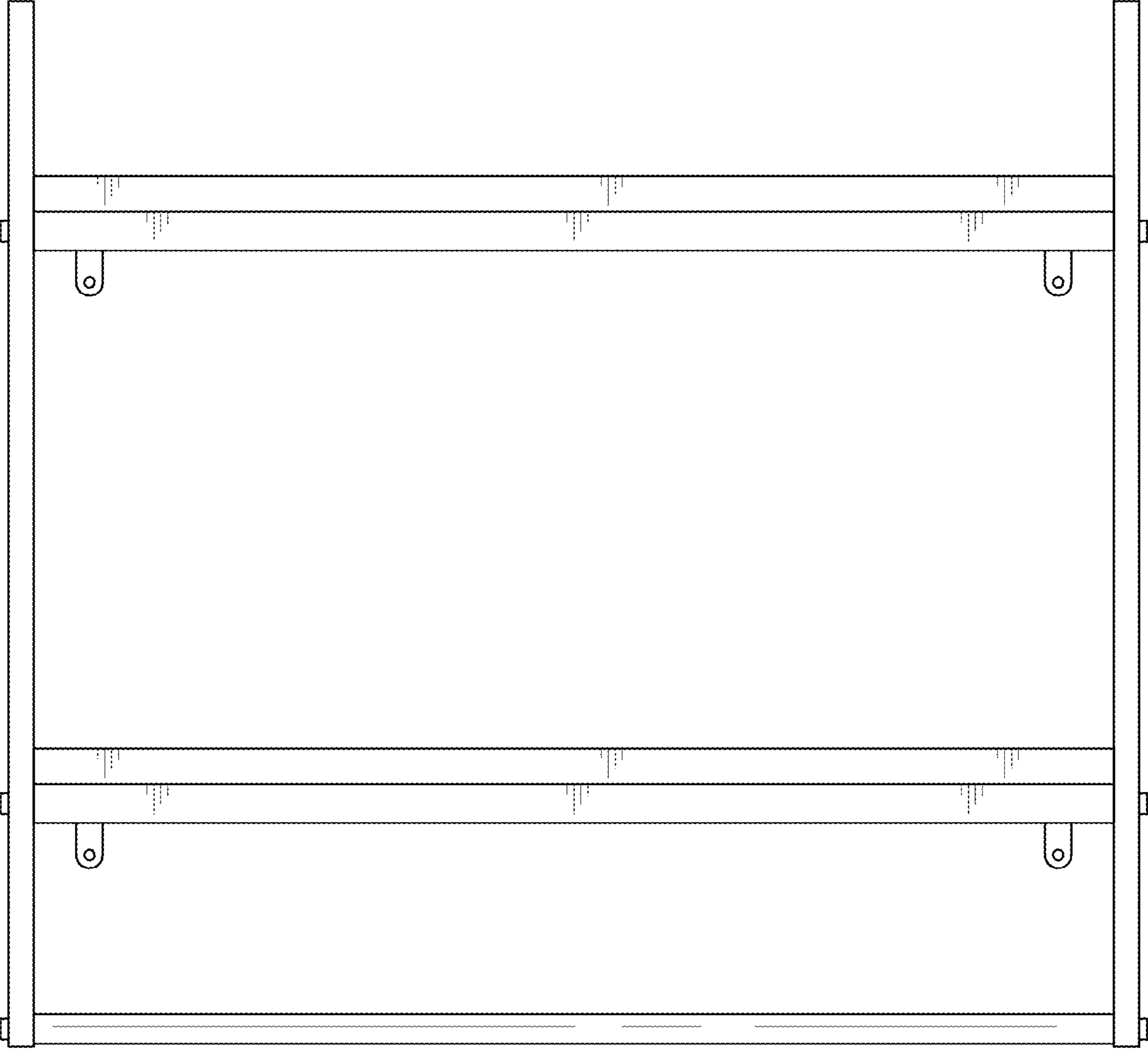


FIG. 4

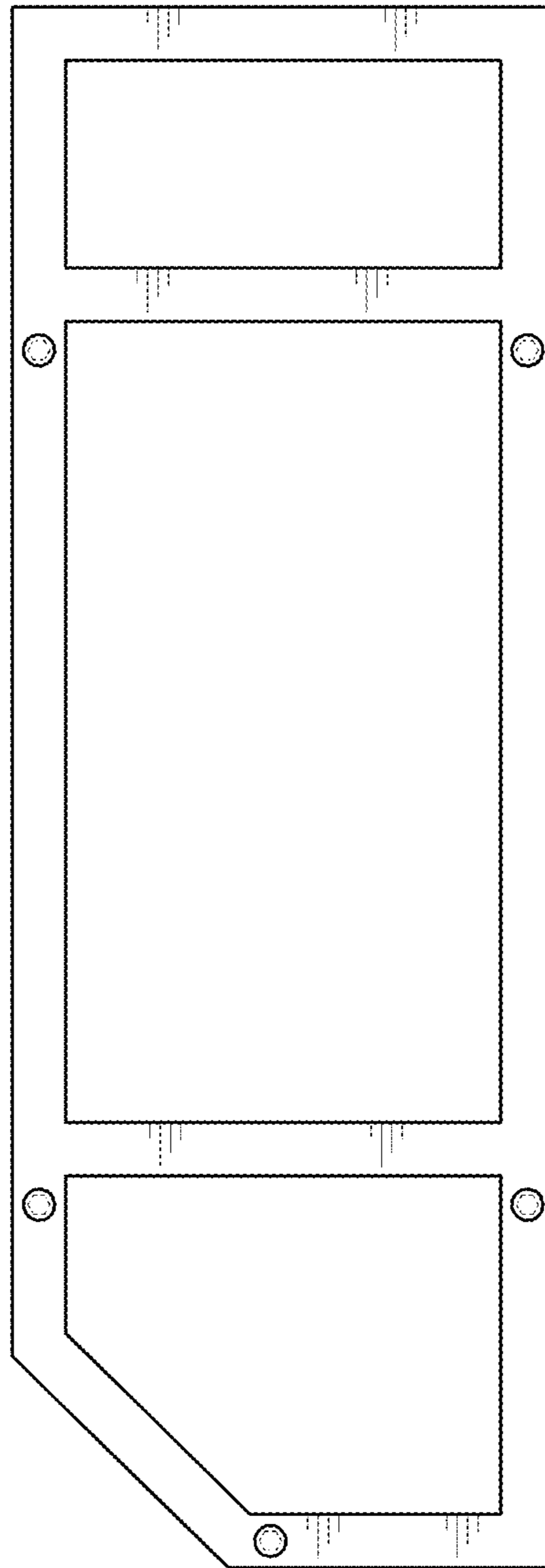


FIG. 5

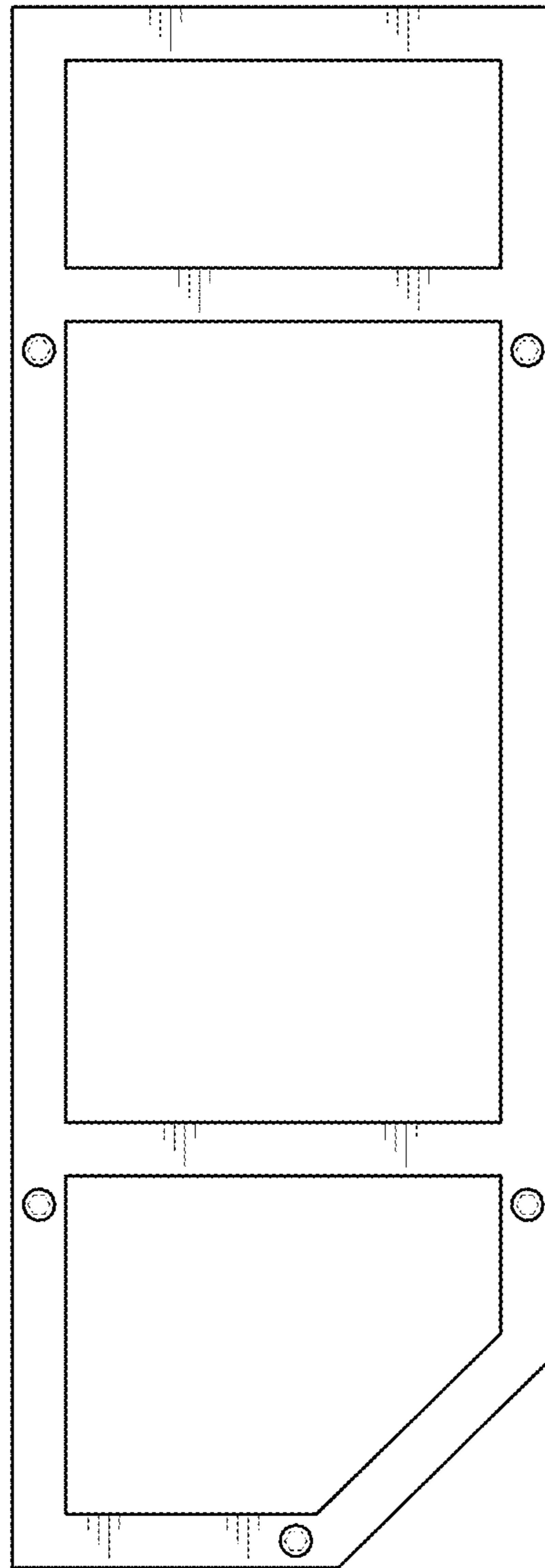


FIG. 6

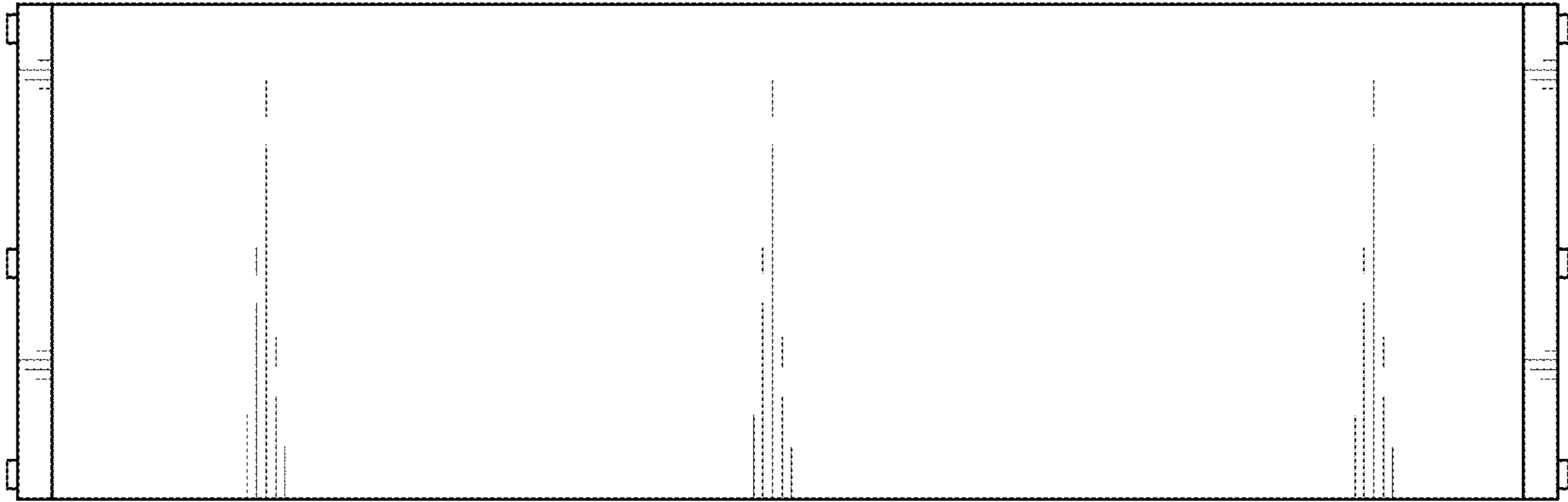


FIG. 7

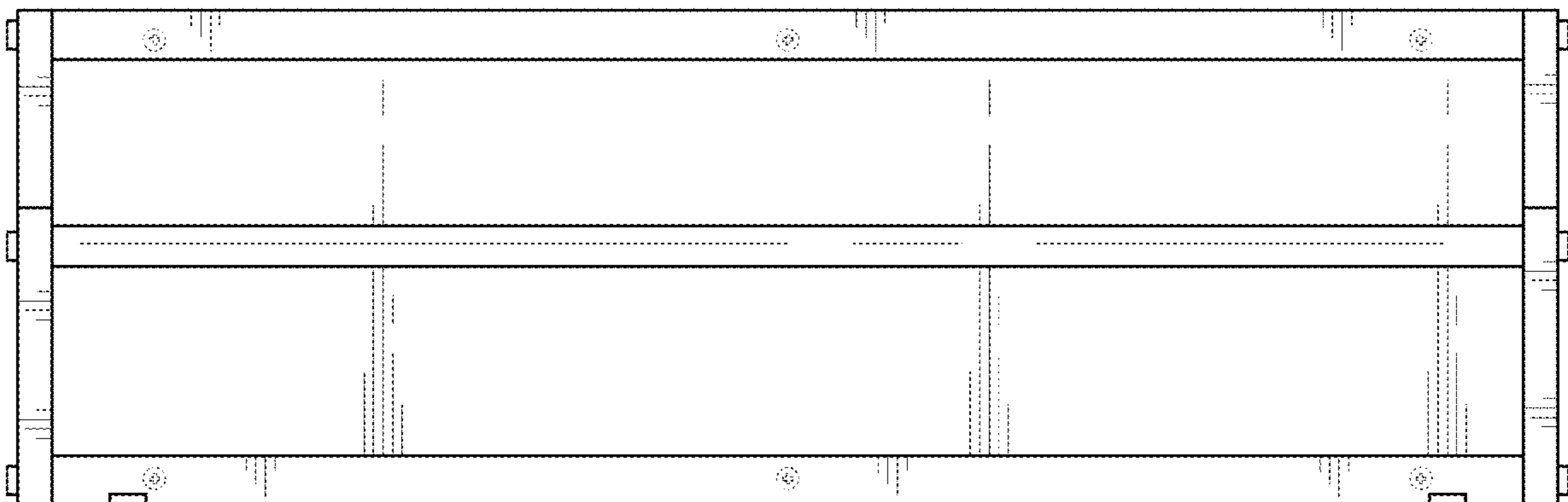


FIG. 8