



US00D916524S

(12) **United States Design Patent**
Li

(10) **Patent No.:** **US D916,524 S**

(45) **Date of Patent:** **** Apr. 20, 2021**

(54) **WALL MOUNTED SHELF**

(71) Applicant: **Xuewen Li**, Nanning (CN)

(72) Inventor: **Xuewen Li**, Nanning (CN)

(**) Term: **15 Years**

(21) Appl. No.: **29/752,490**

(22) Filed: **Sep. 28, 2020**

(51) **LOC (13) Cl.** **06-04**

(52) **U.S. Cl.**
USPC **D6/574**

(58) **Field of Classification Search**
USPC D6/572, 574, 320-324, 612, 618, 641,
D6/685, 694, 553, 570, 571, 705, 706;
D7/698; D26/672; 108/28-29, 152;
211/13.1, 42, 86.01, 88.01, 90.01, 90.03,
211/126.1, 134, 153, 187; 248/205.3,
248/235, 243, 247, 250, 242; 206/557
CPC A47B 43/00; A47B 43/04; A47B 47/0066;
A47B 47/04; A47B 63/00; A47B 69/00;
A47B 71/00

See application file for complete search history.

(56) **References Cited**

U.S. PATENT DOCUMENTS

D406,476 S * 3/1999 Boije D6/574
D458,791 S * 6/2002 Harwanko D6/570

D568,116 S 5/2008 Goodman et al.
D763,020 S 8/2016 Tsai
D832,613 S * 11/2018 Parikh D6/574
D834,856 S * 12/2018 Parikh D6/574

* cited by examiner

Primary Examiner — Mark Booker

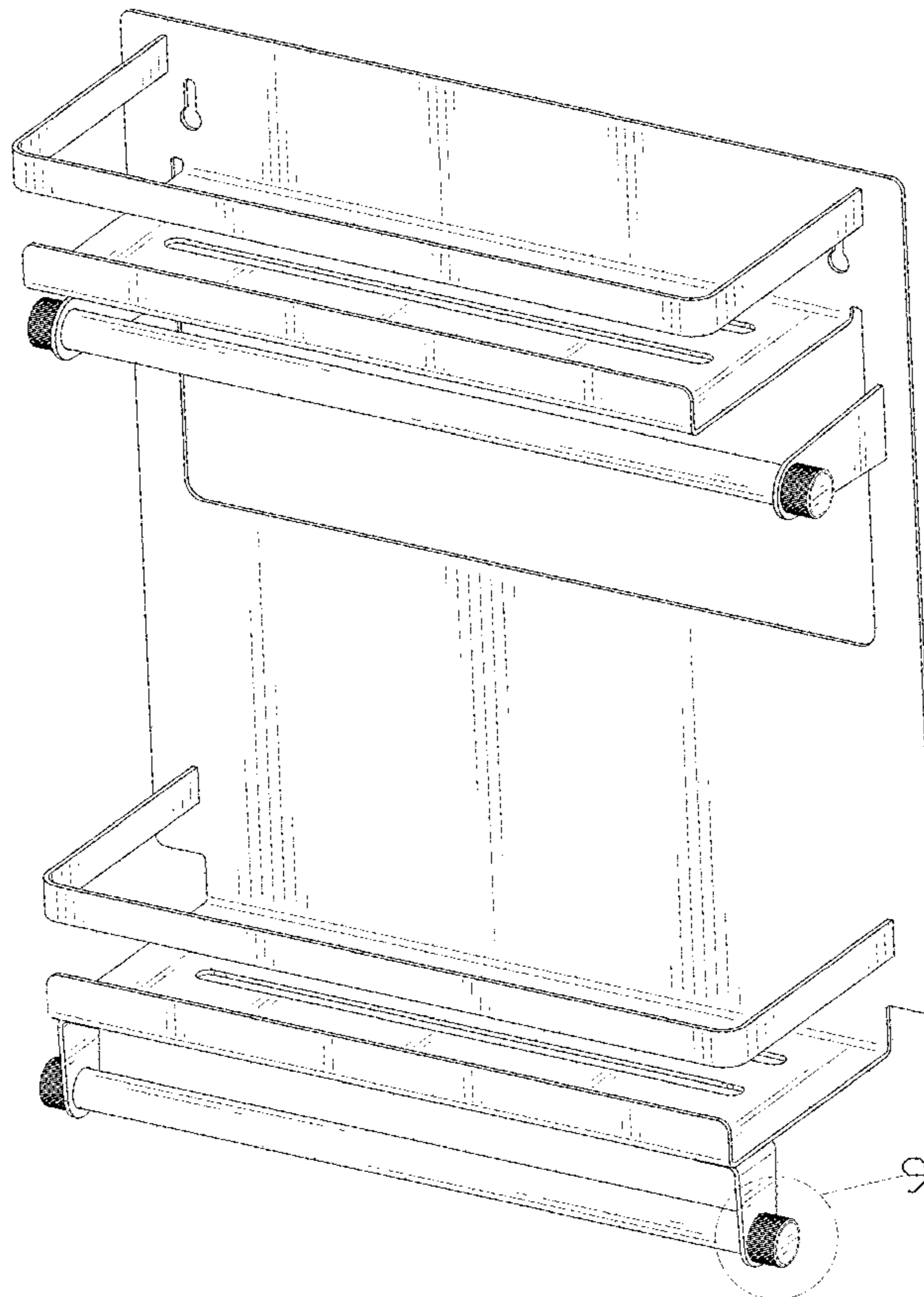
(57) **CLAIM**

The ornamental design for a wall mounted shelf, as shown and described.

DESCRIPTION

FIG. 1 is a perspective view of a wall mounted shelf showing my new design;
FIG. 2 is another perspective view thereof;
FIG. 3 is a front elevational view thereof;
FIG. 4 is a rear elevational view thereof;
FIG. 5 is a left side elevational view thereof;
FIG. 6 is a right side elevational view thereof;
FIG. 7 is a top plan view thereof;
FIG. 8 is a bottom plan view thereof;
FIG. 9 is an enlarged view of portion 9 shown in FIG. 1;
FIG. 10 is an enlarged view of portion 10 shown in FIG. 2;
and,
FIG. 11 is an enlarged view of portion 11 shown in FIG. 3.

1 Claim, 11 Drawing Sheets



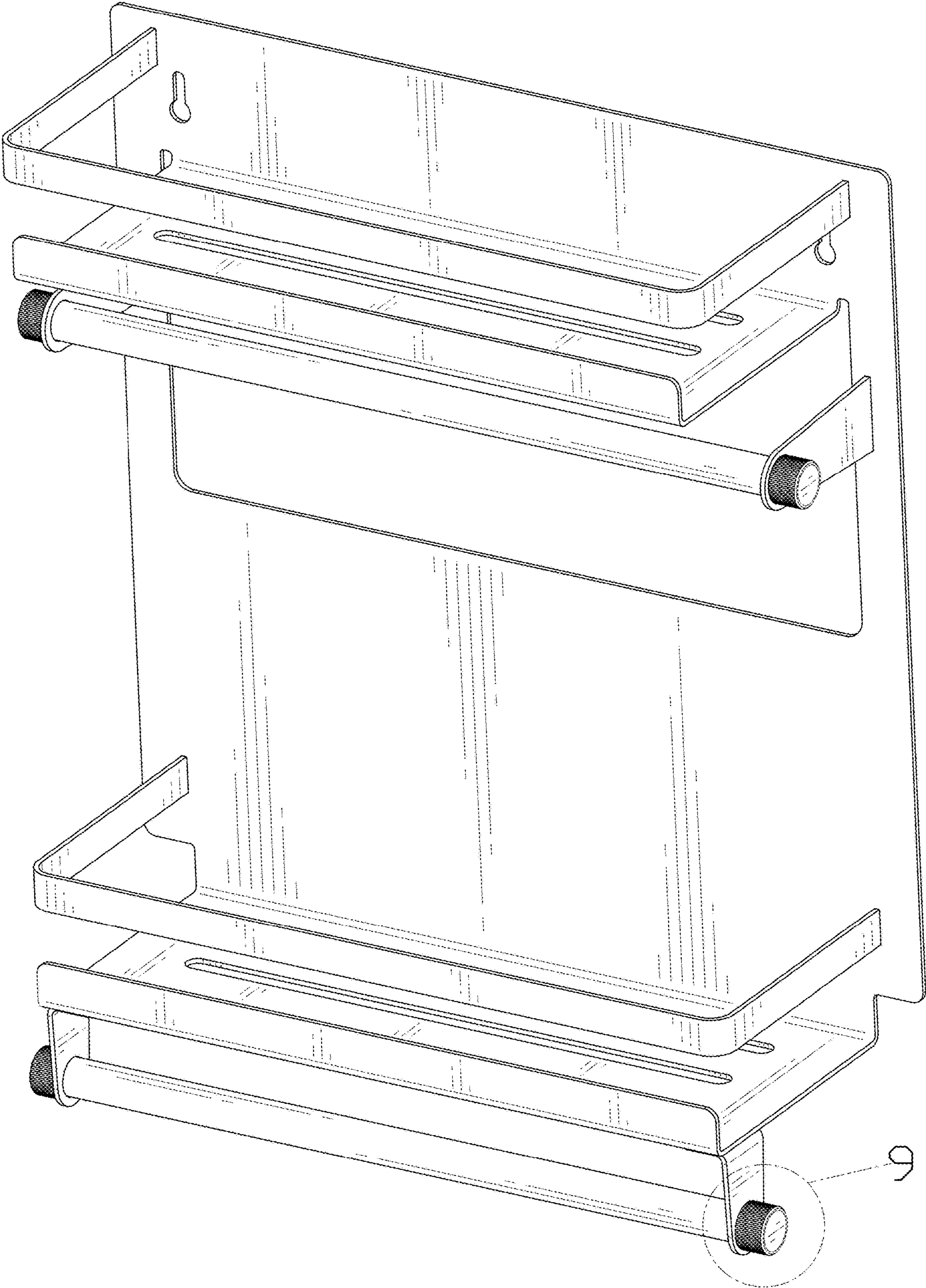


FIG. 1

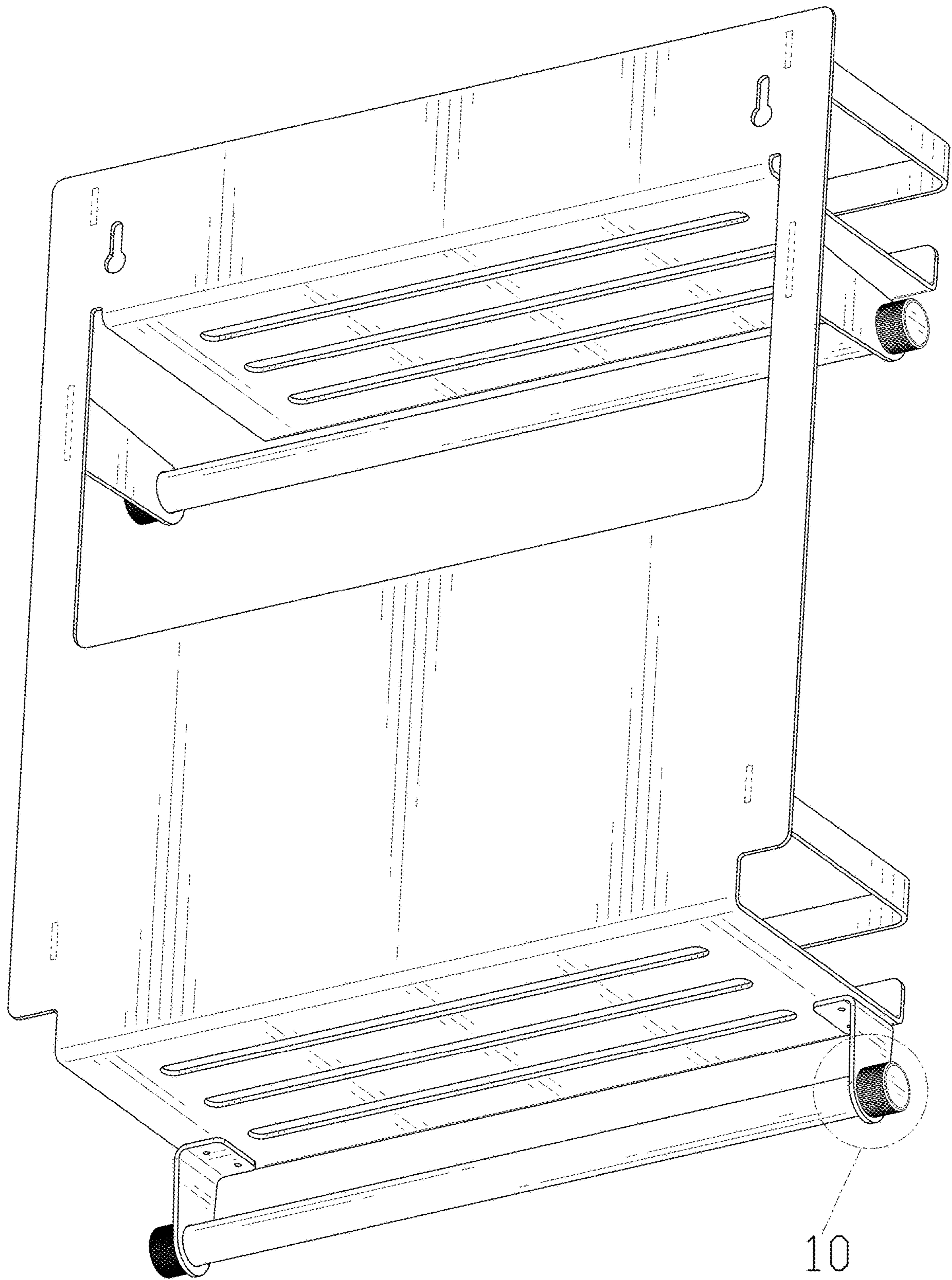


FIG. 2

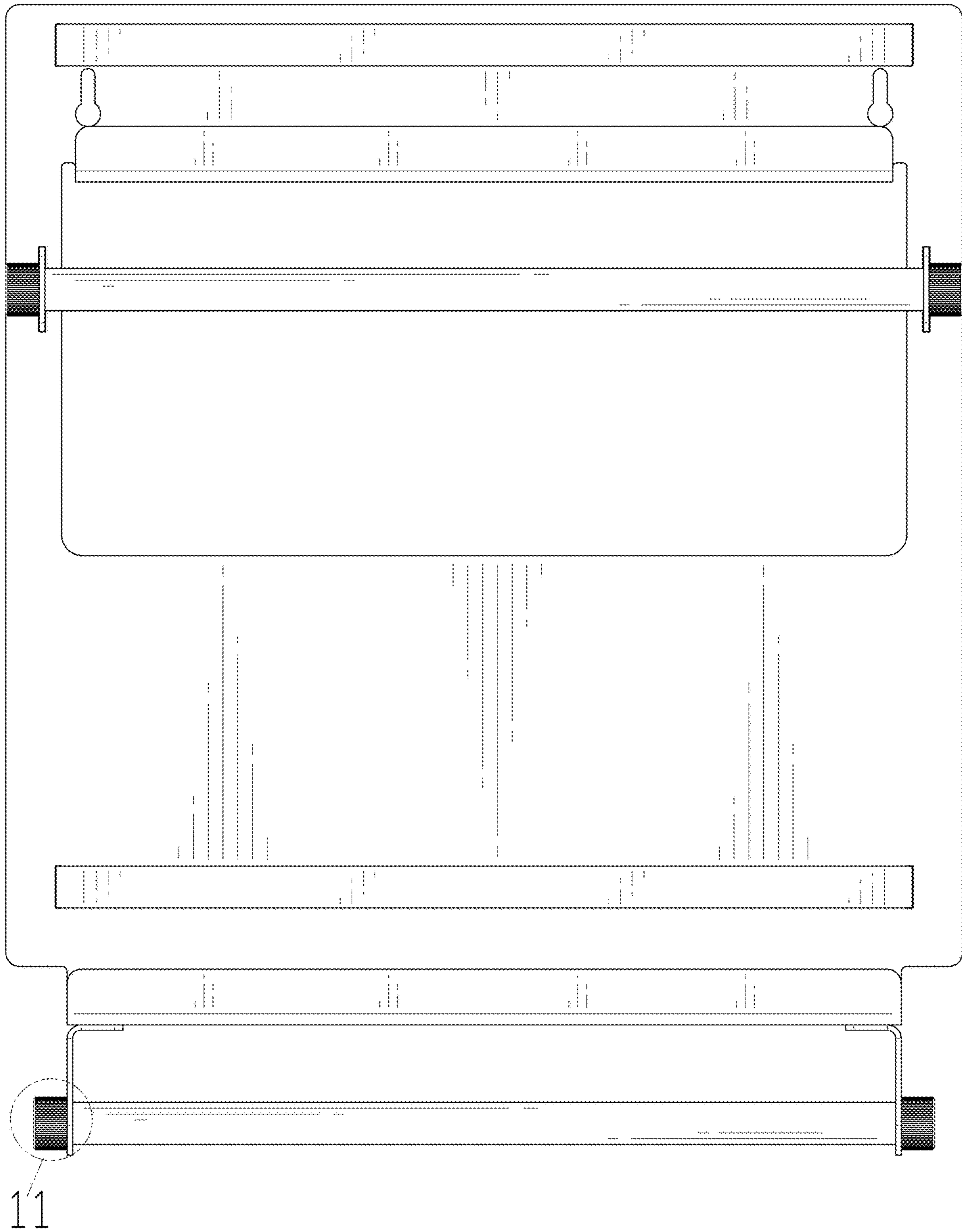


FIG. 3

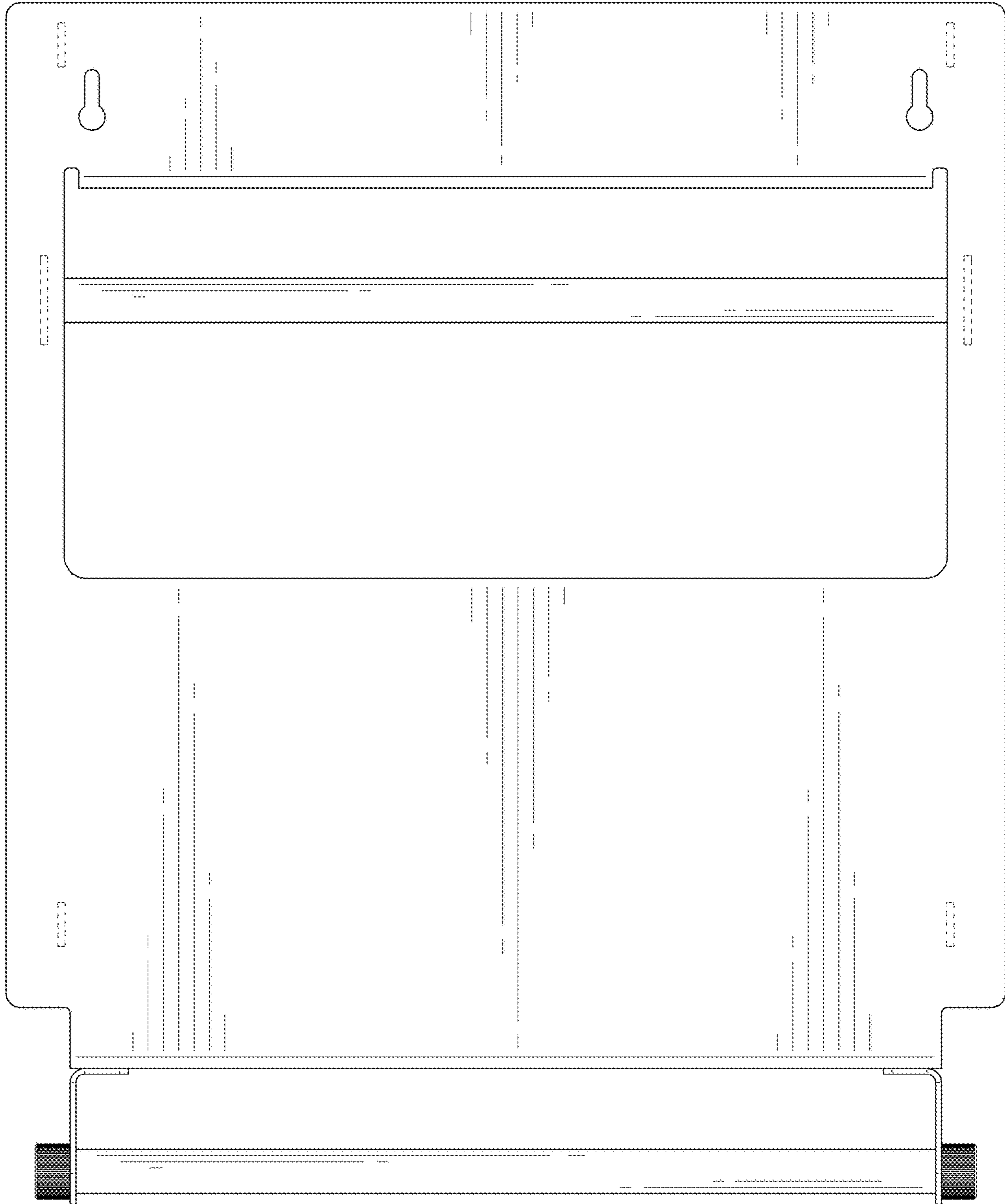


FIG. 4

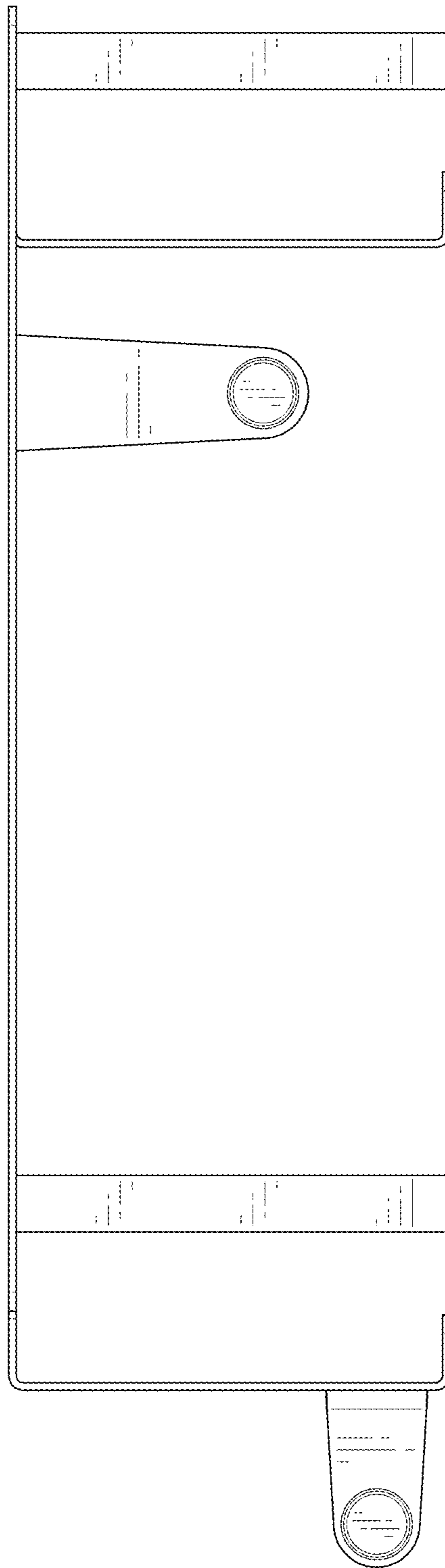


FIG. 5



FIG. 6

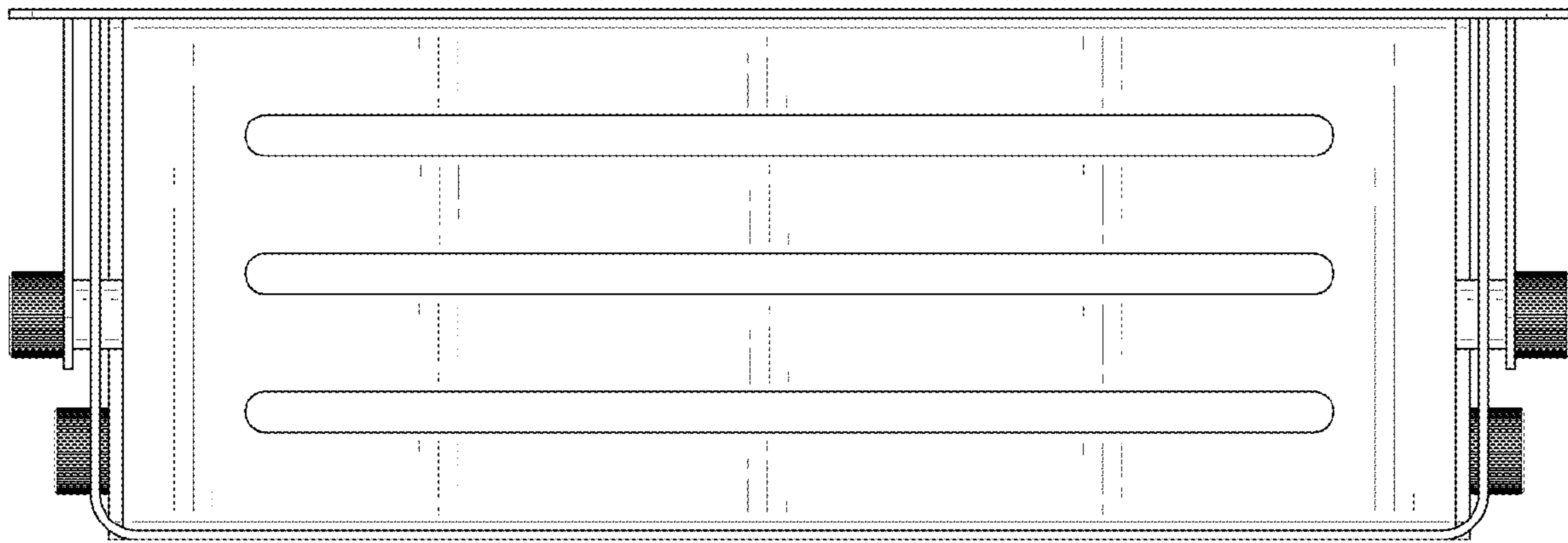


FIG. 7

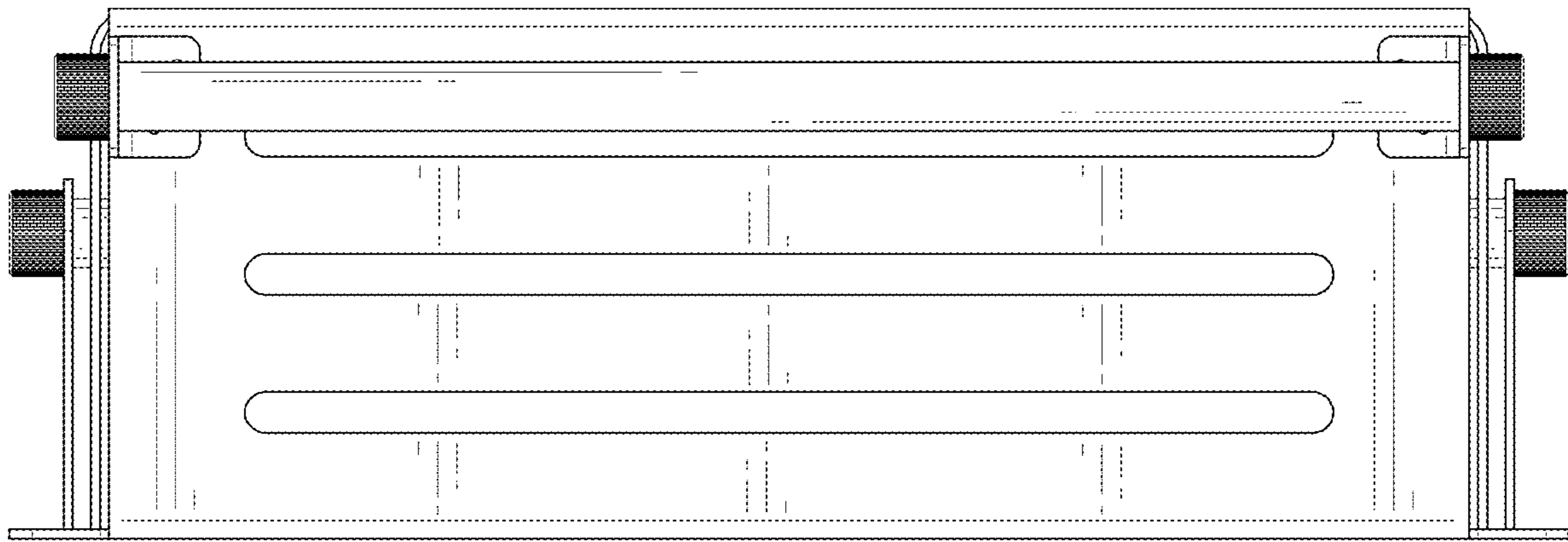


FIG. 8

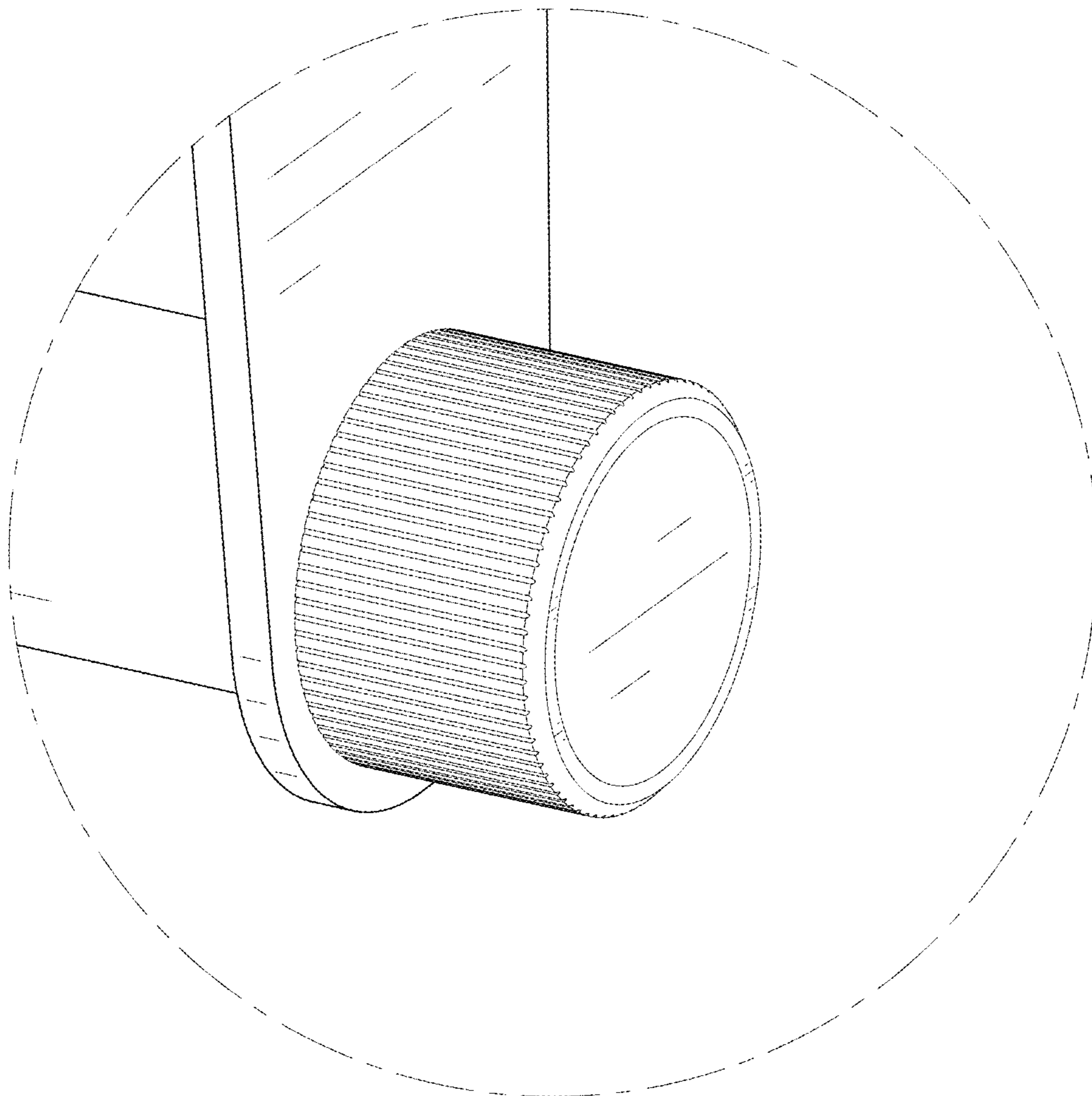


FIG. 9

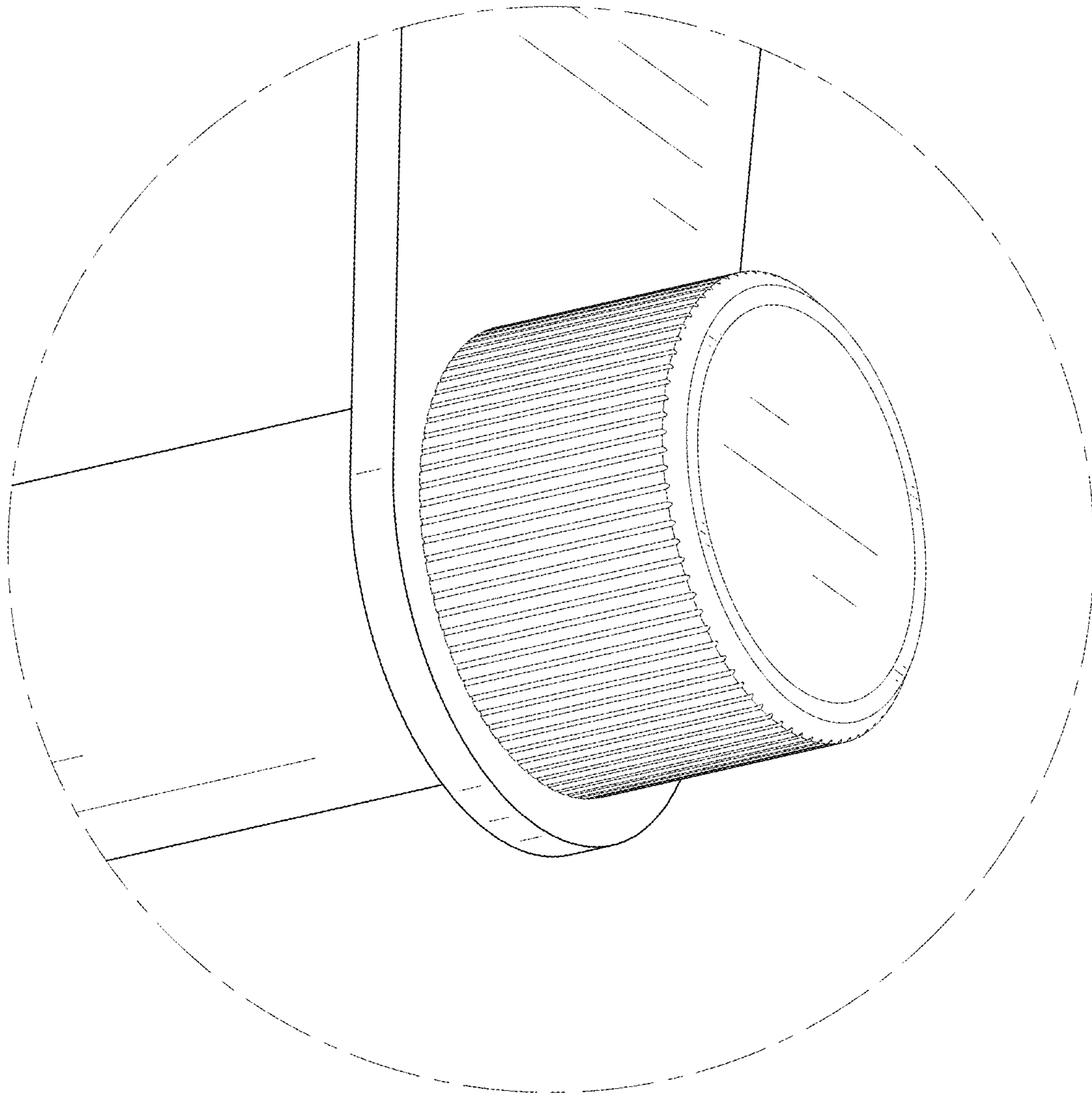


FIG. 10

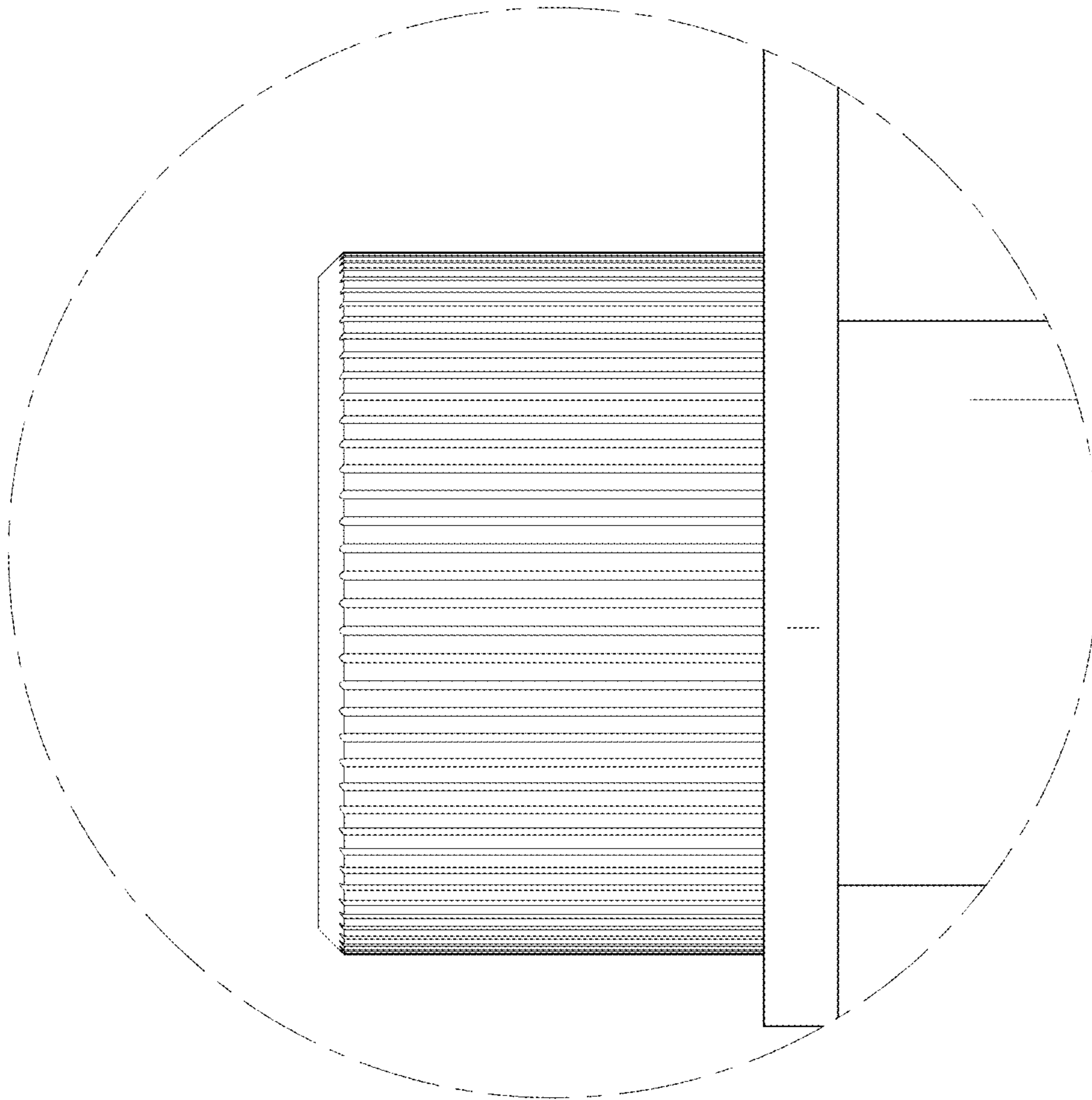


FIG. 11