



US00D916522S

(12) **United States Design Patent**
Hong

(10) **Patent No.:** **US D916,522 S**

(45) **Date of Patent:** **** Apr. 20, 2021**

(54) **WALL MOUNT**

(71) Applicant: **SHENZHEN PRIME TECHNOLOGY CO., LTD**, Shenzhen (CN)

(72) Inventor: **Zhengcai Hong**, Shenzhen (CN)

(73) Assignee: **SHENZHEN PRIME TECHNOLOGY CO., LTD**, Shenzhen (CN)

(**) Term: **15 Years**

(21) Appl. No.: **29/751,040**

(22) Filed: **Sep. 18, 2020**

(51) **LOC (13) Cl.** **06-04**

(52) **U.S. Cl.**
USPC **D6/574**

(58) **Field of Classification Search**
USPC D6/572, 574, 320-324, 612, 618, 641, D6/685, 694, 553, 570, 571, 705, 706; D7/698; D26/672; 108/28-29, 152; 211/13.1, 42, 86.01, 88.01, 90.01, 90.03, 211/126.1, 134, 153, 187; 248/205.3, 248/235, 243, 247, 250, 242; 206/557
CPC A47B 43/00; A47B 43/04; A47B 47/0066; A47B 47/04; A47B 63/00; A47B 69/00; A47B 71/00

See application file for complete search history.

(56) **References Cited**

U.S. PATENT DOCUMENTS

D457,027 S *	5/2002	Muller	D6/569
D549,026 S *	8/2007	Parshad	D6/574
D614,428 S *	4/2010	Bauchet	D6/574
D621,193 S *	8/2010	Bauchet	D6/574
D640,489 S	6/2011	Tuholski		
D716,581 S	11/2014	Davis		
D887,747 S *	6/2020	Chiang	D6/574
D897,131 S *	9/2020	Wang	D6/571

* cited by examiner

Primary Examiner — Mark Booker

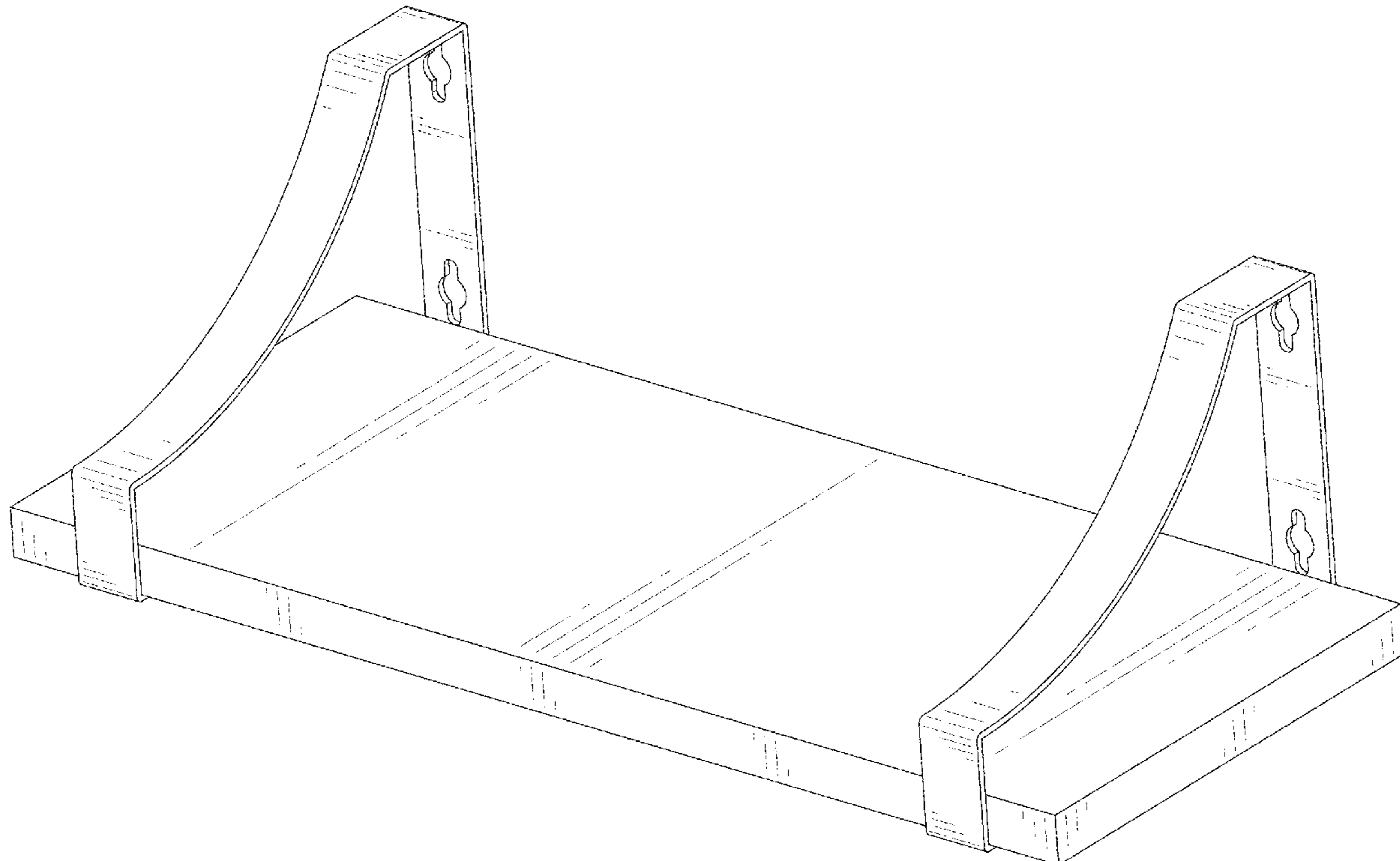
(57) **CLAIM**

The ornamental design for a wall mount, as shown and described.

DESCRIPTION

FIG. 1 is a perspective view of a wall mount showing my new design;
FIG. 2 is another perspective view thereof;
FIG. 3 is a front elevational view thereof;
FIG. 4 is a rear elevational view thereof;
FIG. 5 is a left side elevational view thereof;
FIG. 6 is a right side elevational view thereof;
FIG. 7 is a top plan view thereof;
FIG. 8 is a bottom plan view thereof; and,
FIG. 9 is a perspective view of the wall mount where the wall mount is in a configuration of use.
The broken lines in the drawings depict portions of the wall mount that form no part of the claimed design.

1 Claim, 9 Drawing Sheets



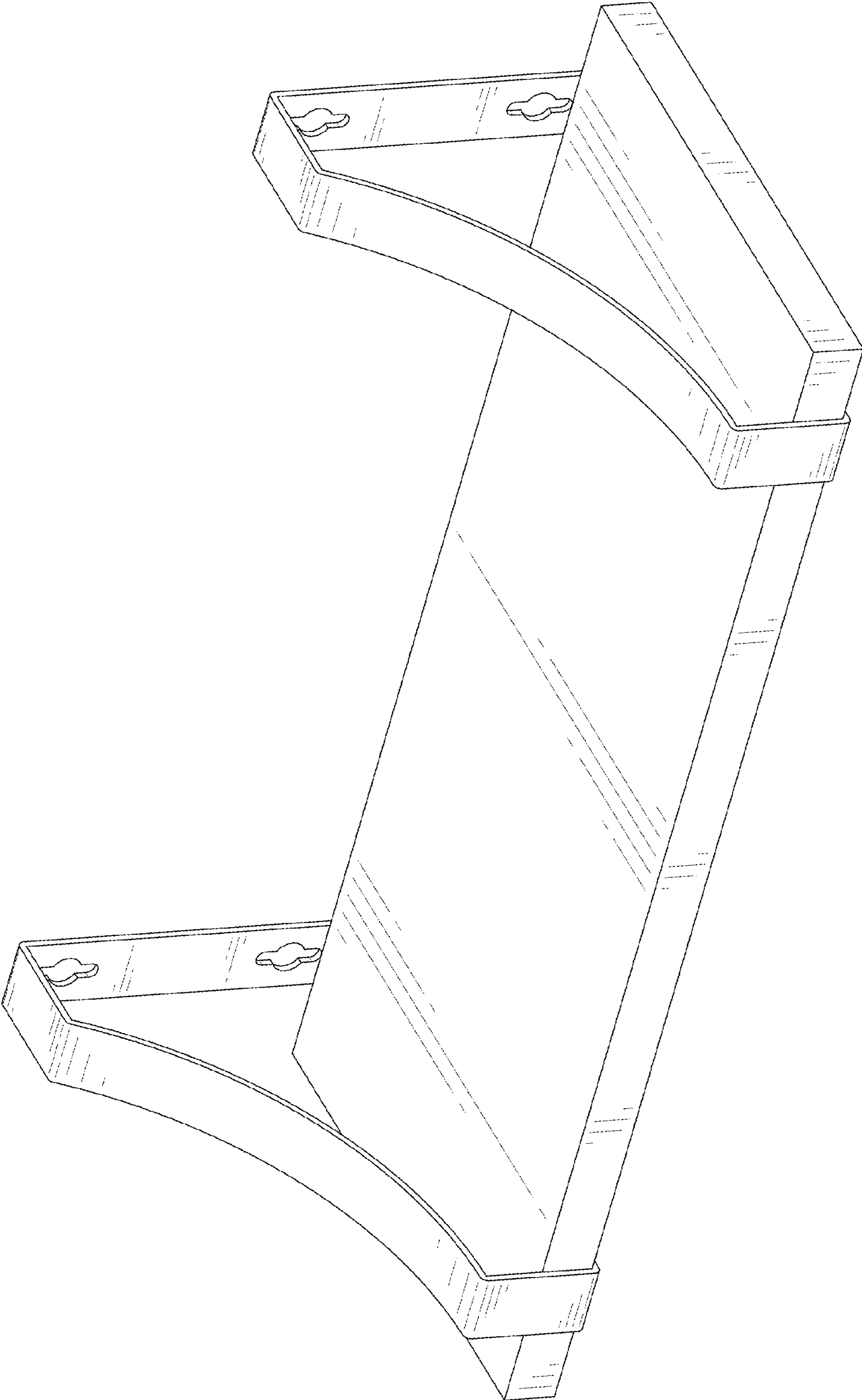


FIG. 1

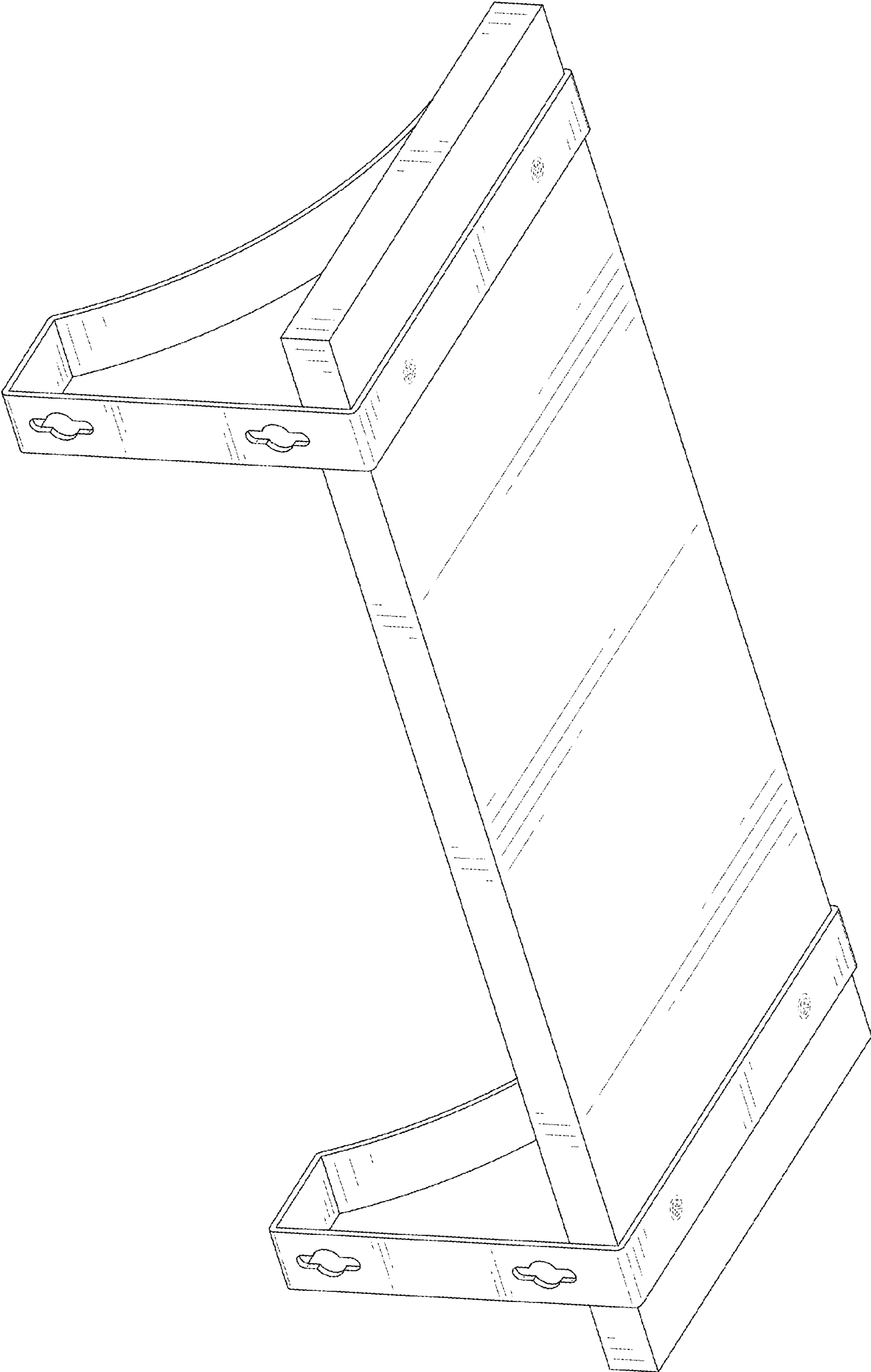


FIG. 2

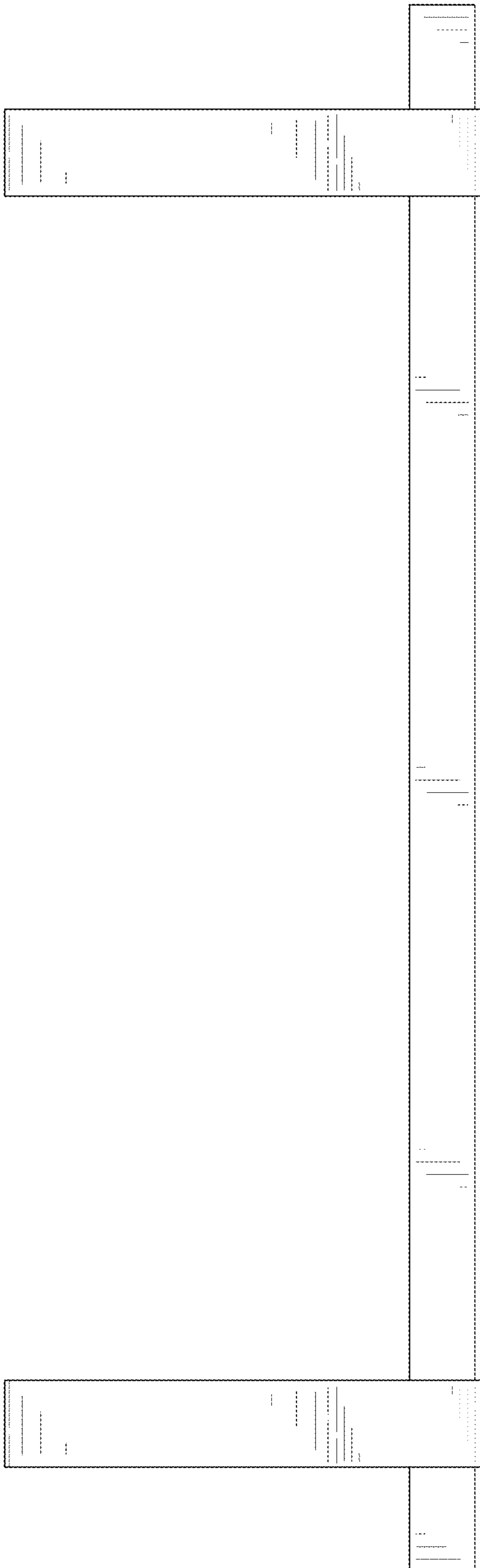


FIG. 3

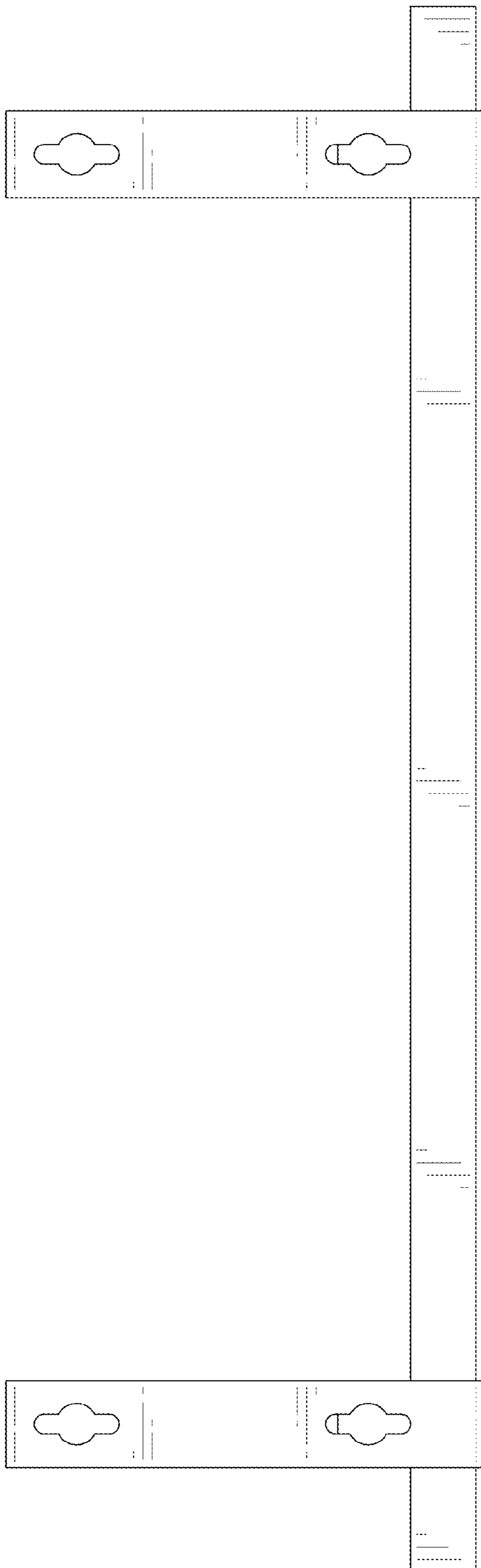


FIG. 4

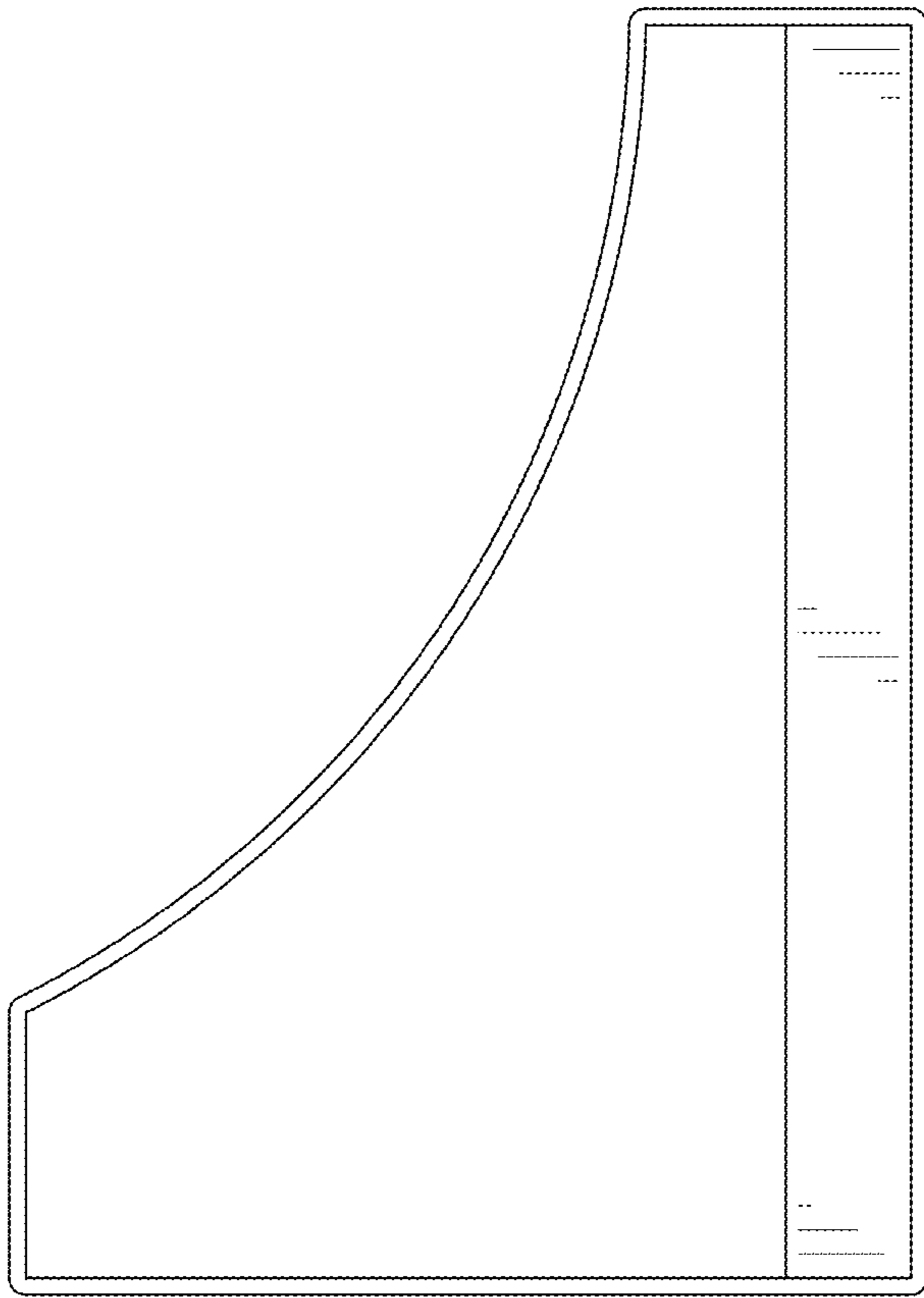


FIG. 5

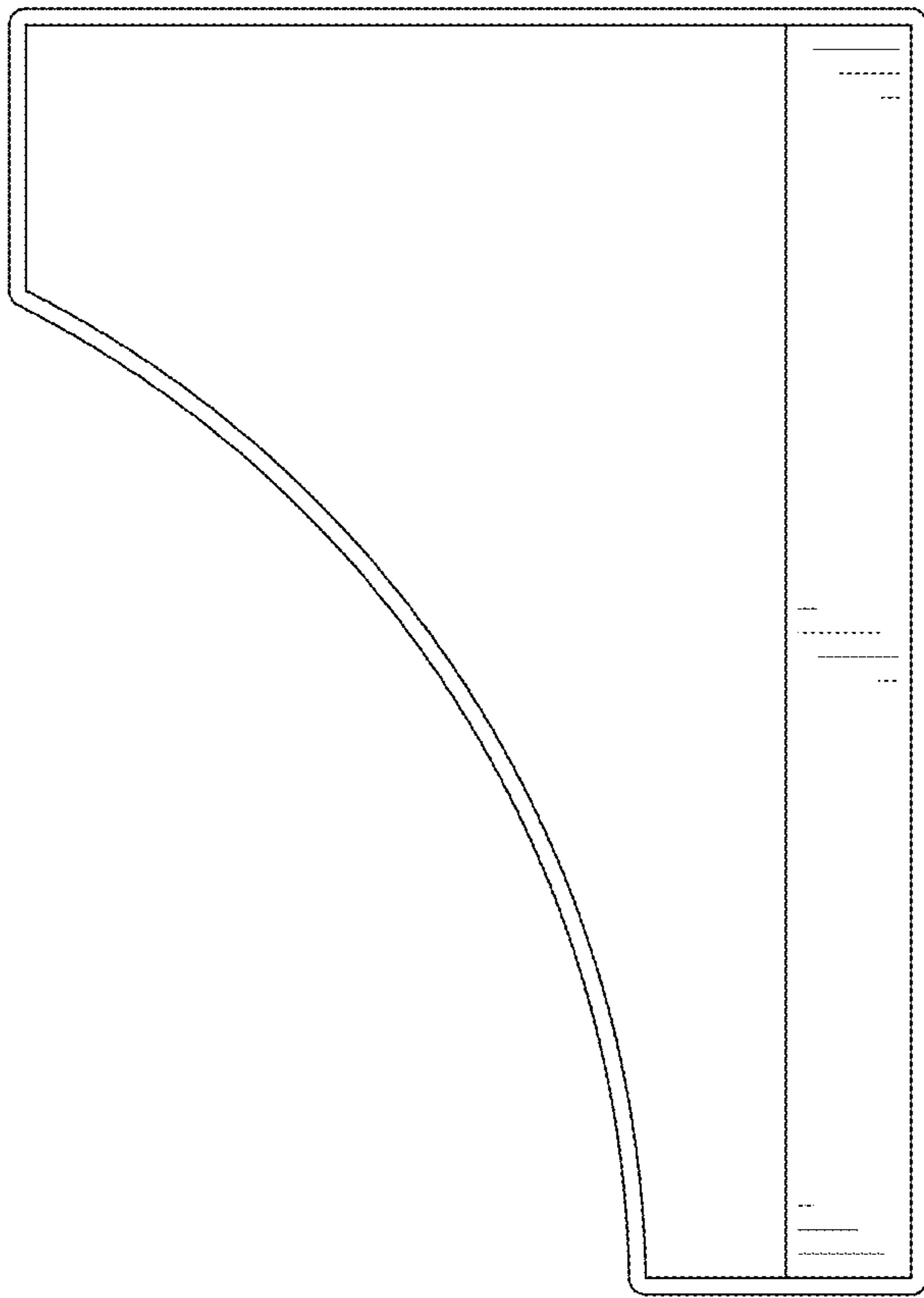


FIG. 6

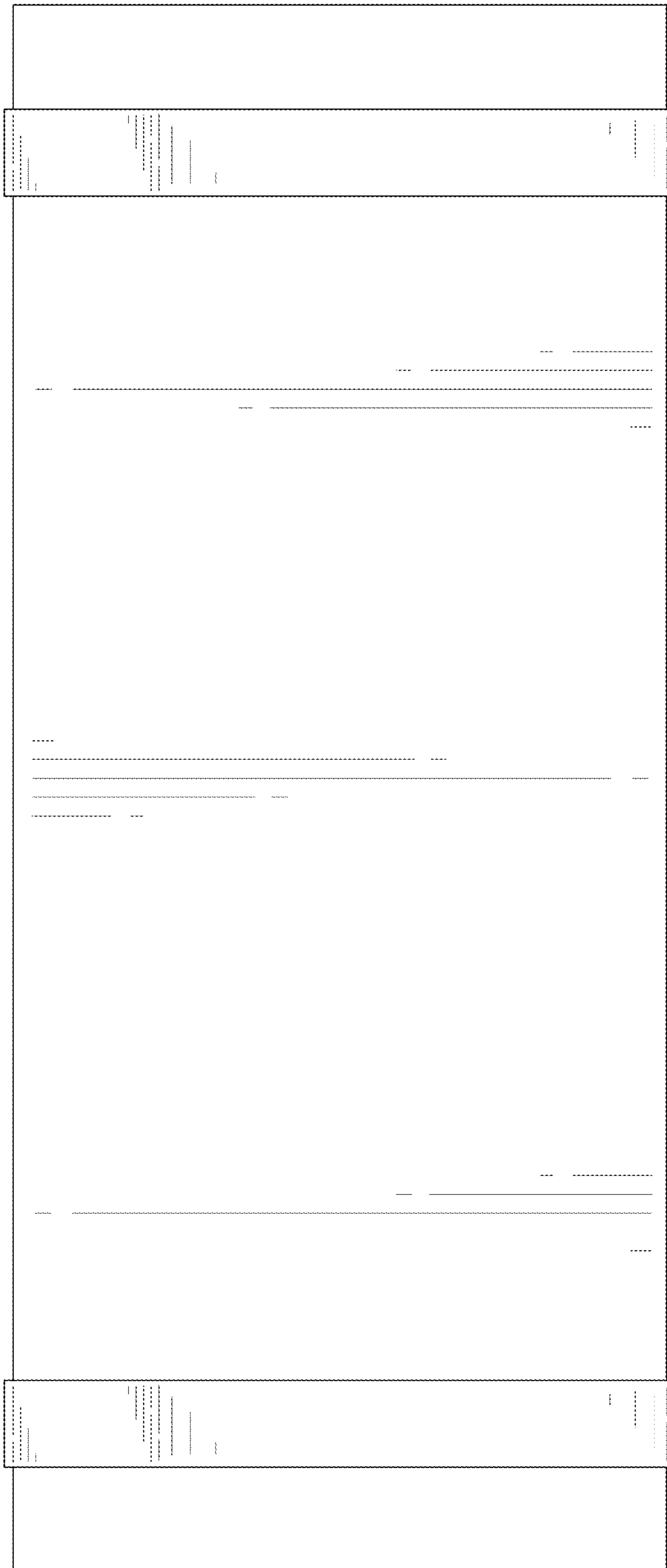


FIG. 7

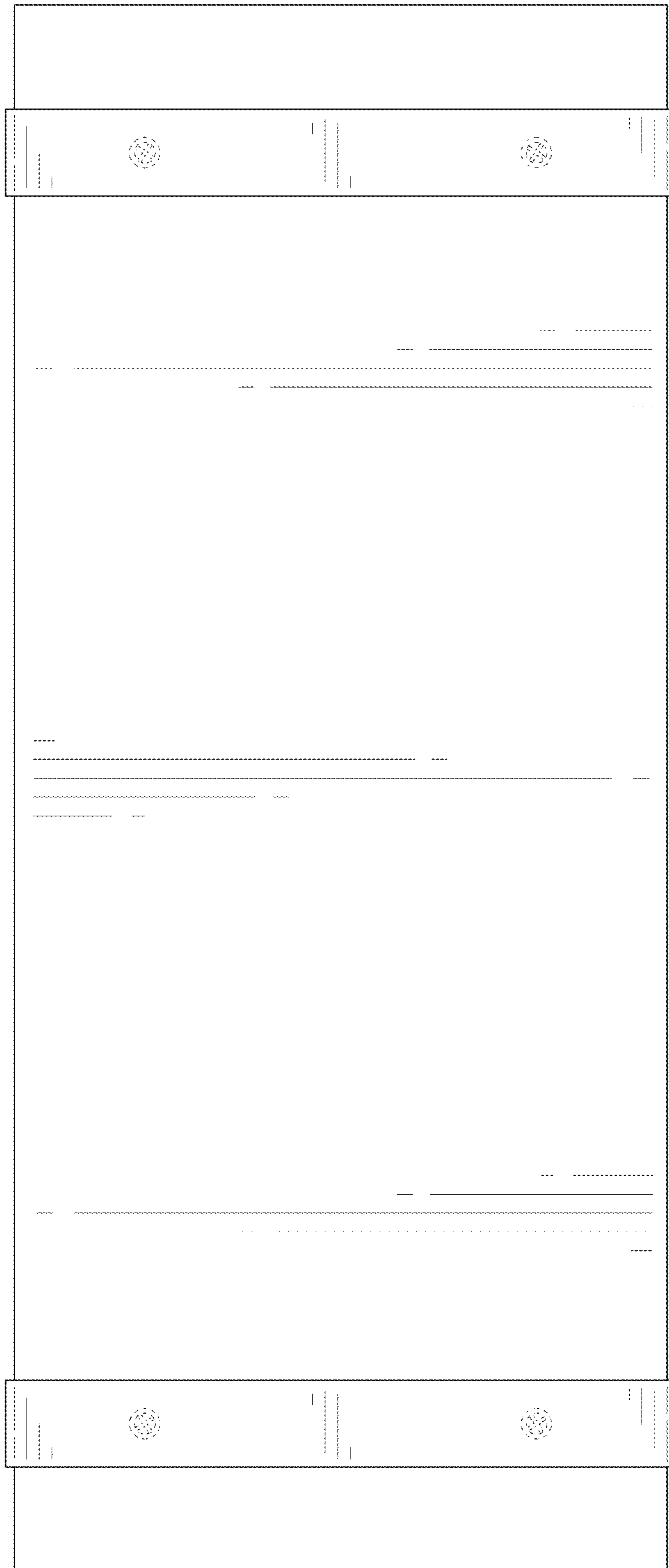


FIG. 8

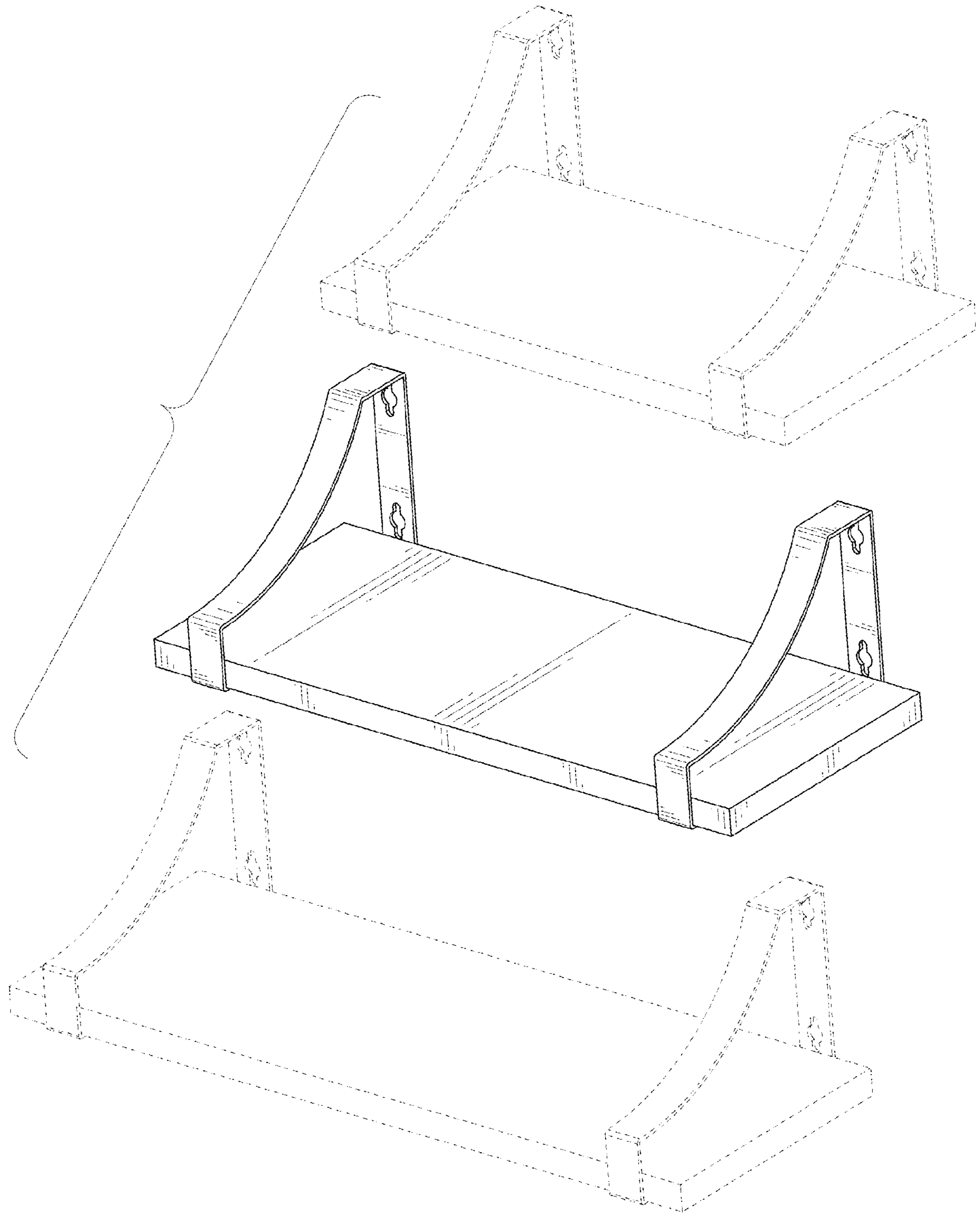


FIG. 9