



US00D916520S

(12) **United States Design Patent**
Zhang

(10) **Patent No.:** **US D916,520 S**
(45) **Date of Patent:** **** Apr. 20, 2021**

(54) **TRAY**

(71) Applicant: **Xiangyu Zhang**, Foshan (CN)

(72) Inventor: **Xiangyu Zhang**, Foshan (CN)

(**) Term: **15 Years**

(21) Appl. No.: **29/741,488**

(22) Filed: **Jul. 13, 2020**

(51) **LOC (13) Cl.** **06-04**

(52) **U.S. Cl.**
USPC **D6/574**

(58) **Field of Classification Search**

USPC D3/304, 307-308, 312; D6/512, 572, D6/573, 574, 672, 673, 675, 675.1, 705, D6/560; D7/500, 543, 549, 550.1, 552.2, D7/553.1, 554.2, 554.3, 586, 587, 669, D7/698-699, 359, 402, 554.1; D9/761, D9/424; D32/56-57; 220/476, 570, 574, 220/576, 912; D23/304; D24/224
CPC A47G 29/00; A45F 2200/05; B65D 1/34; B65D 21/02; B65D 21/0209; A47J 47/00; A47J 47/005; A47J 47/20

See application file for complete search history.

(56) **References Cited**

U.S. PATENT DOCUMENTS

D344,651 S * 3/1994 Reese D6/574
D444,979 S * 7/2001 Green D6/574
D477,491 S * 7/2003 Hoernig D6/574
D480,814 S * 10/2003 Lafferty D24/216
D778,678 S 2/2017 Baez
D801,120 S * 10/2017 Zeien D7/554.2

(Continued)

Primary Examiner — Mark Booker

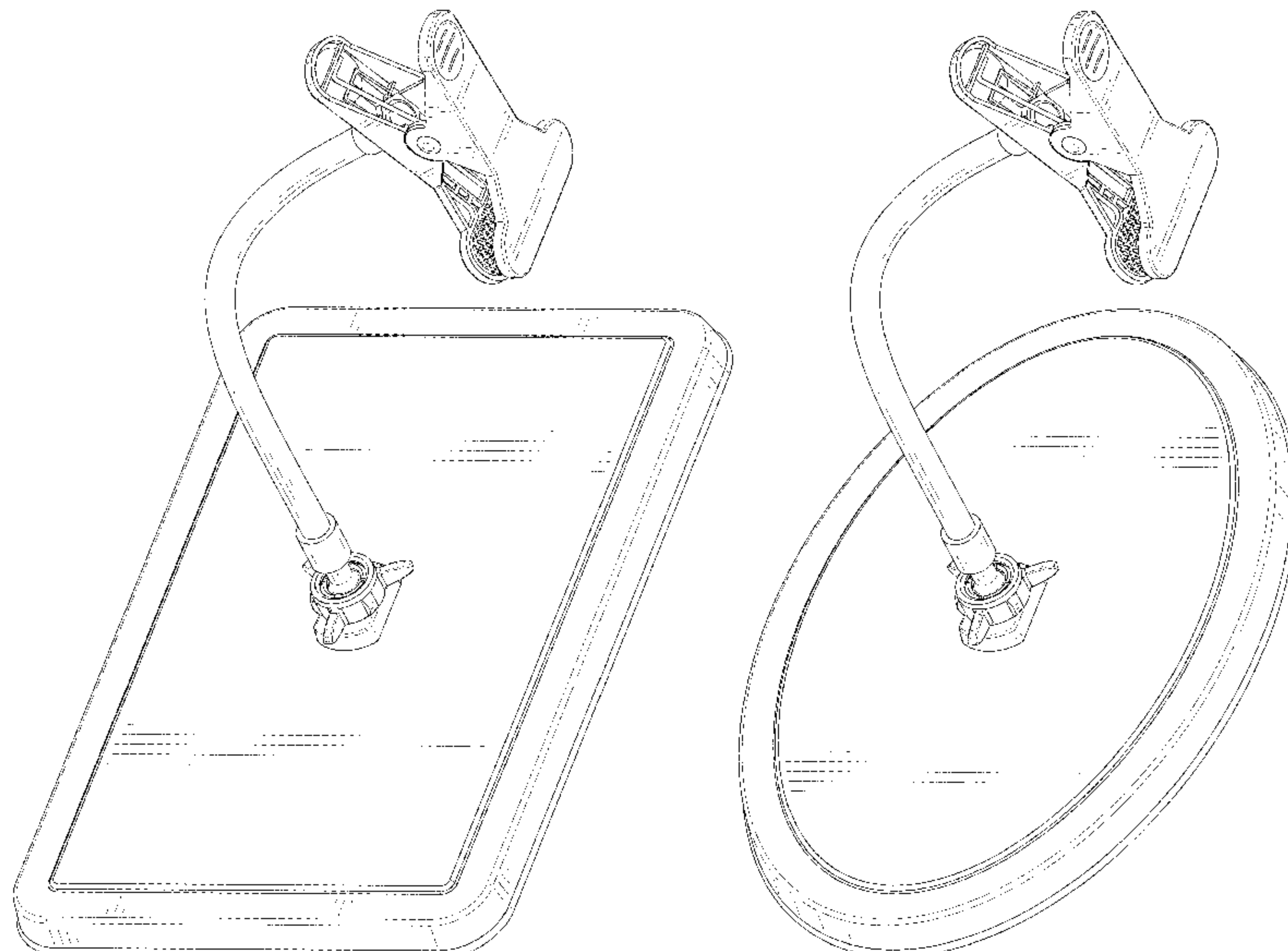
(57) **CLAIM**

The ornamental design for a tray, as shown and described.

DESCRIPTION

FIG. 1 is a perspective view of a first embodiment of a tray showing my new design;
FIG. 2 is another perspective view thereof;
FIG. 3 is a front elevational view thereof;
FIG. 4 is a rear elevational view thereof;
FIG. 5 is a left side elevational view thereof;
FIG. 6 is a right side elevational view thereof;
FIG. 7 is a top plan view thereof;
FIG. 8 is a bottom plan view thereof;
FIG. 9 is a perspective view of a second embodiment of the tray showing my new design;
FIG. 10 is another perspective view thereof;
FIG. 11 is a front elevational view thereof;
FIG. 12 is a rear elevational view thereof;
FIG. 13 is a left side elevational view thereof;
FIG. 14 is a right side elevational view thereof;
FIG. 15 is a top plan view thereof;
FIG. 16 is a bottom plan view thereof;
FIG. 17 is a perspective view of a third embodiment of the tray showing my new design;
FIG. 18 is another perspective view thereof;
FIG. 19 is a front elevational view thereof;
FIG. 20 is a rear elevational view thereof;
FIG. 21 is a left side elevational view thereof;
FIG. 22 is a right side elevational view thereof;
FIG. 23 is a top plan view thereof;
FIG. 24 is a bottom plan view thereof;
FIG. 25 is a perspective view of a fourth embodiment of the tray showing my new design;
FIG. 26 is another perspective view thereof;
FIG. 27 is a front elevational view thereof;
FIG. 28 is a rear elevational view thereof;
FIG. 29 is a left side elevational view thereof;
FIG. 30 is a right side elevational view thereof;
FIG. 31 is a top plan view thereof; and,
FIG. 32 is a bottom plan view thereof.
The broken lines in the drawings depict portions of the tray that form no part of the claimed design.

1 Claim, 32 Drawing Sheets



(56)

References Cited

U.S. PATENT DOCUMENTS

D802,355 S * 11/2017 Mishan D7/359
D820,642 S 6/2018 Richardson
D871,156 S * 12/2019 Veldkamp D7/554.3
D876,899 S * 3/2020 Pawluskiewicz D7/554.3

* cited by examiner

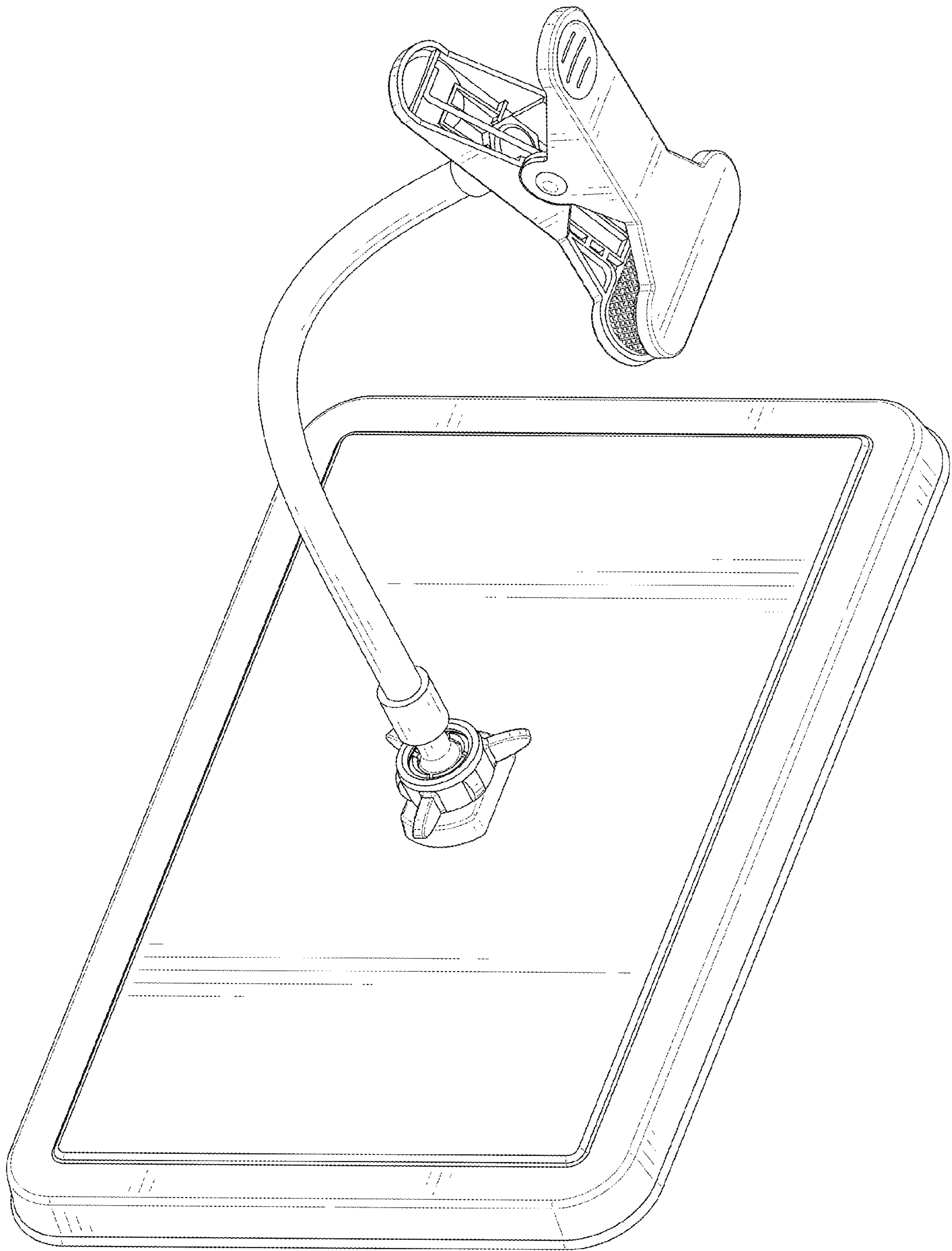


FIG. 1

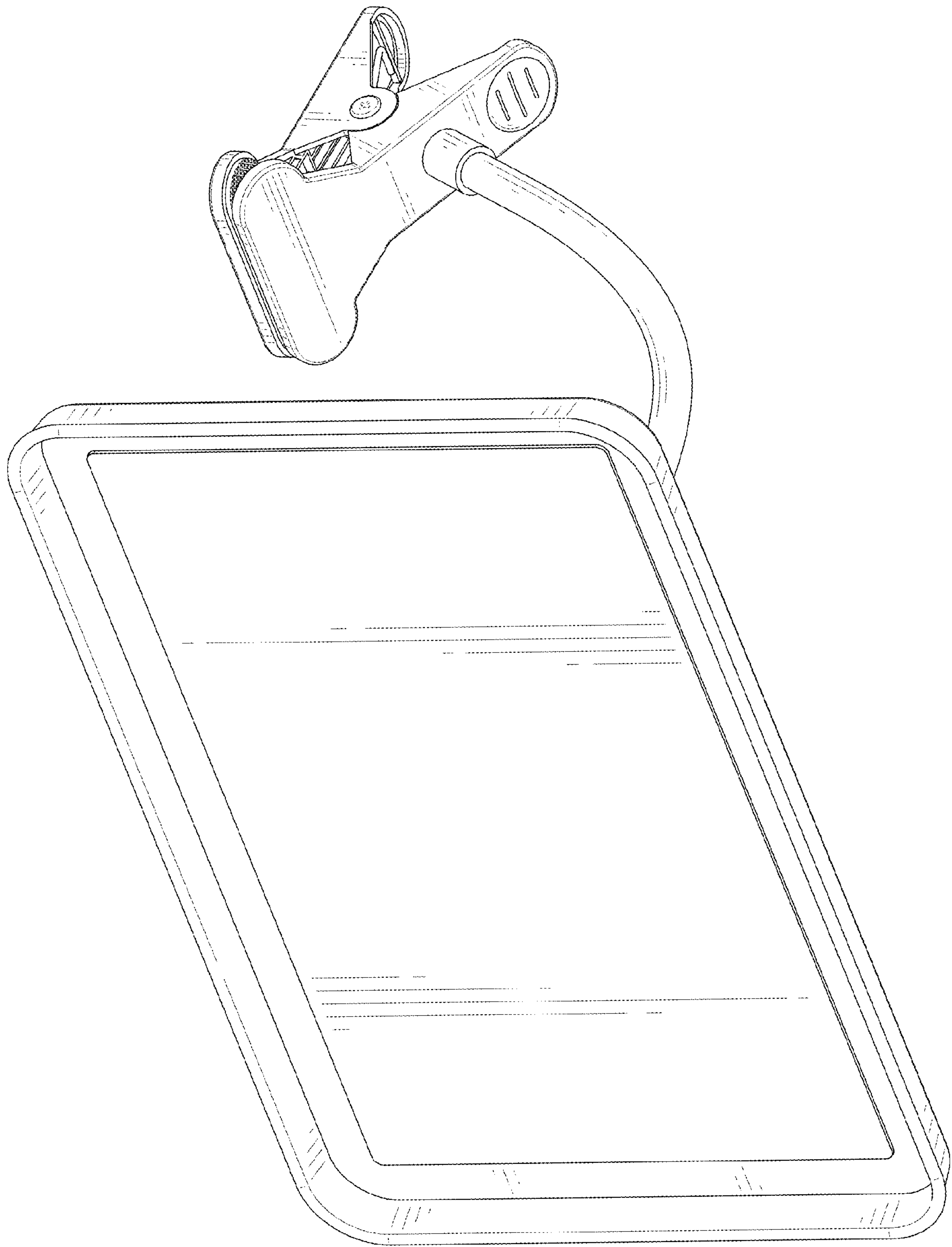


FIG. 2

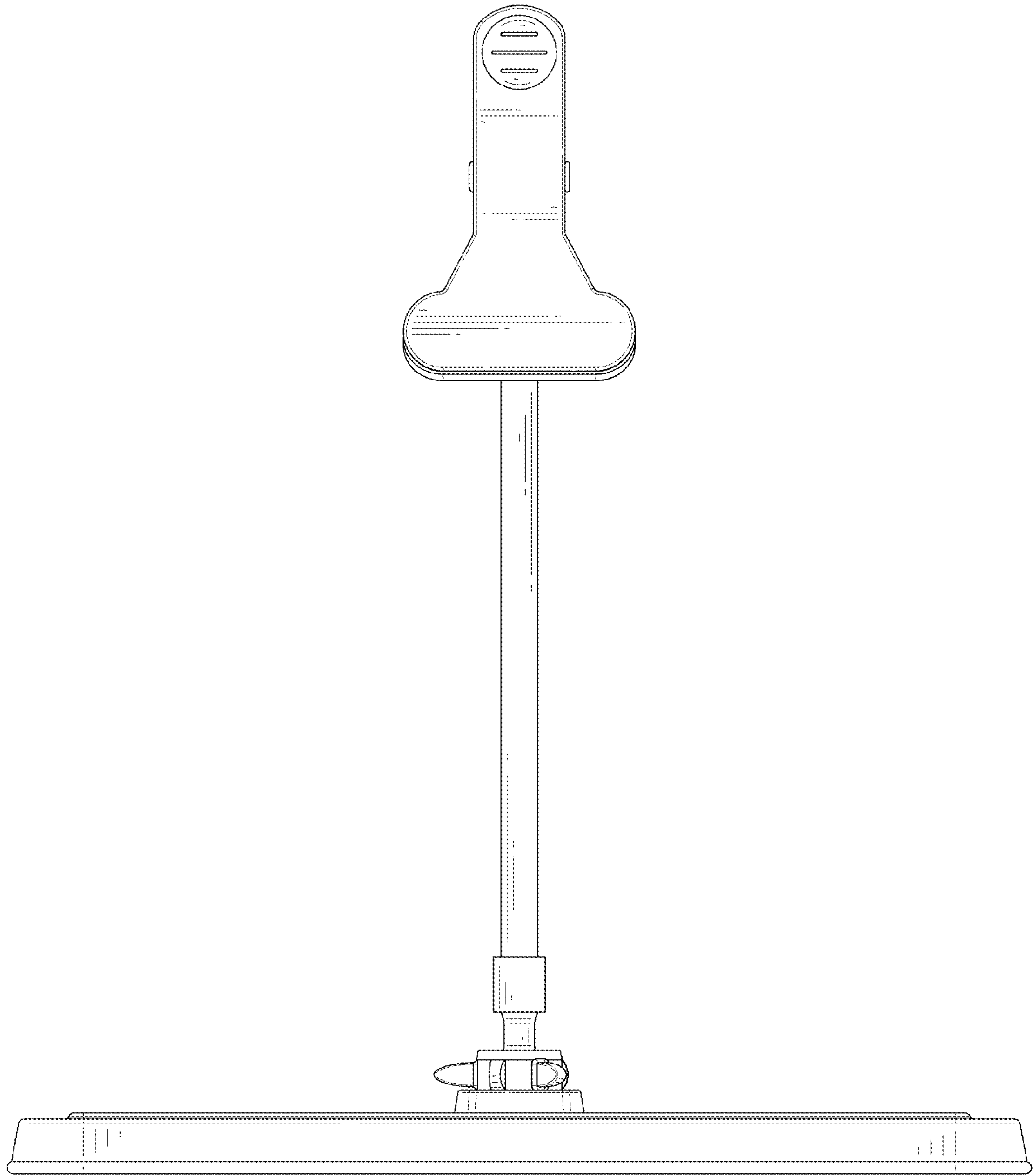


FIG. 3

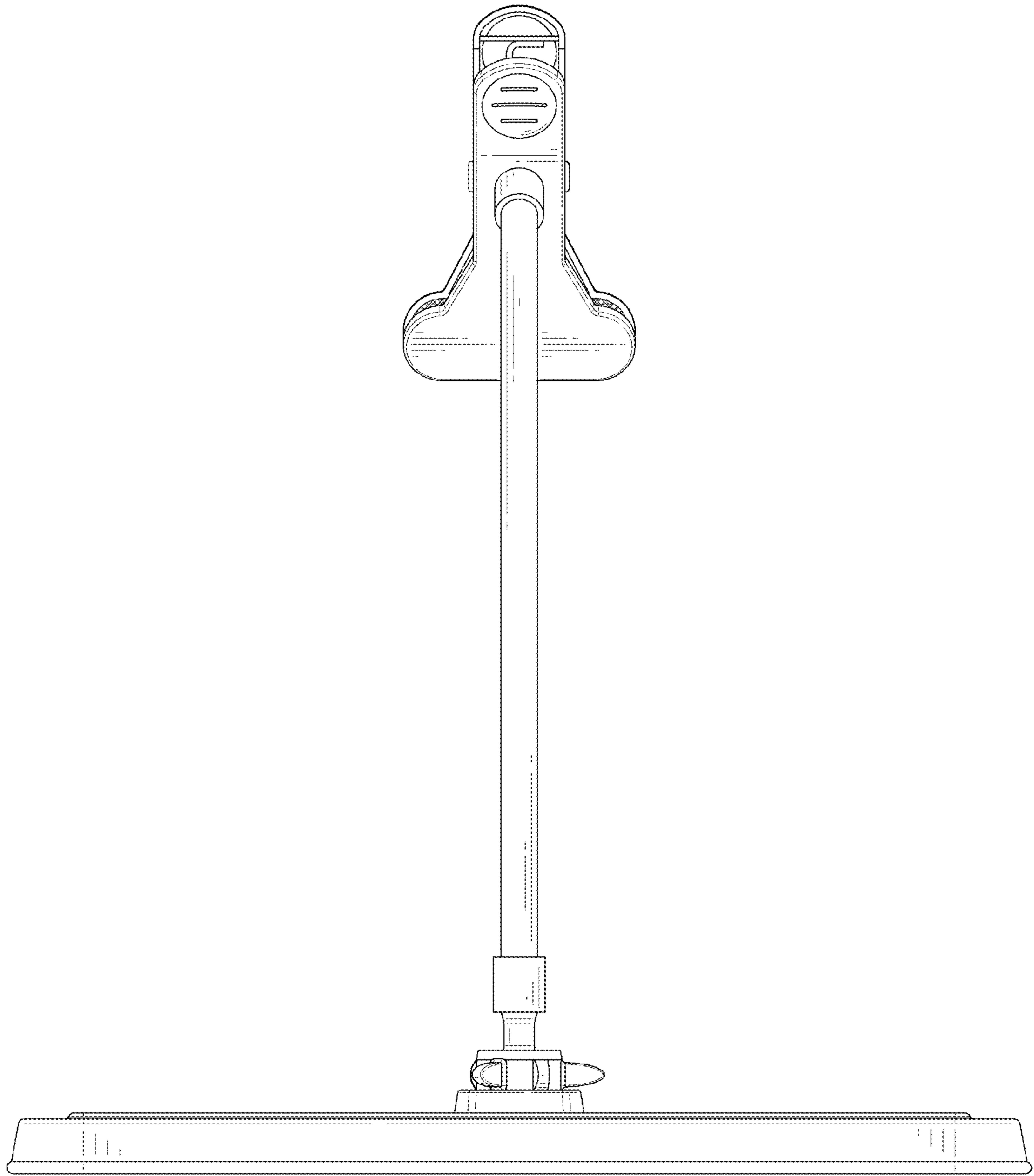


FIG. 4

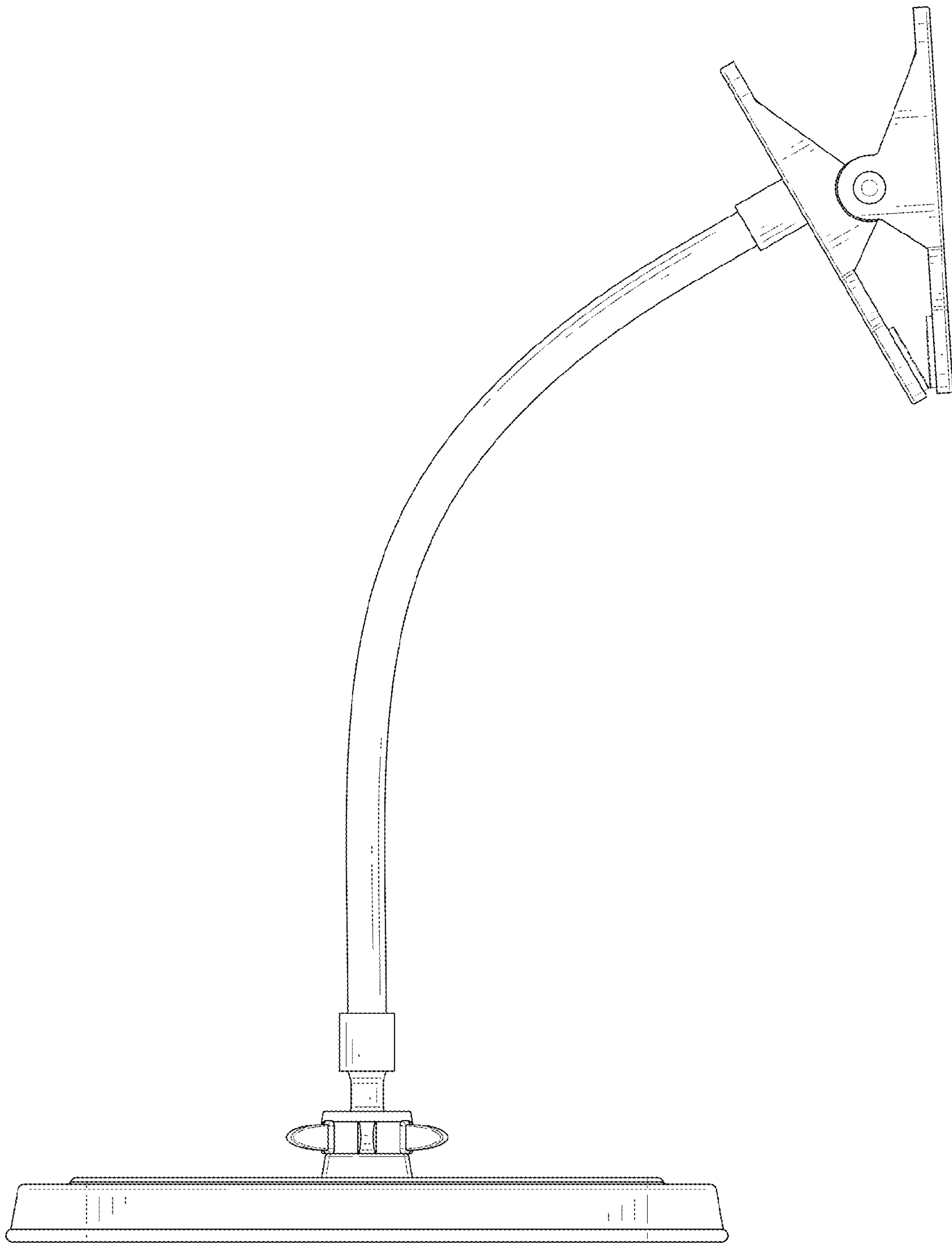


FIG. 5

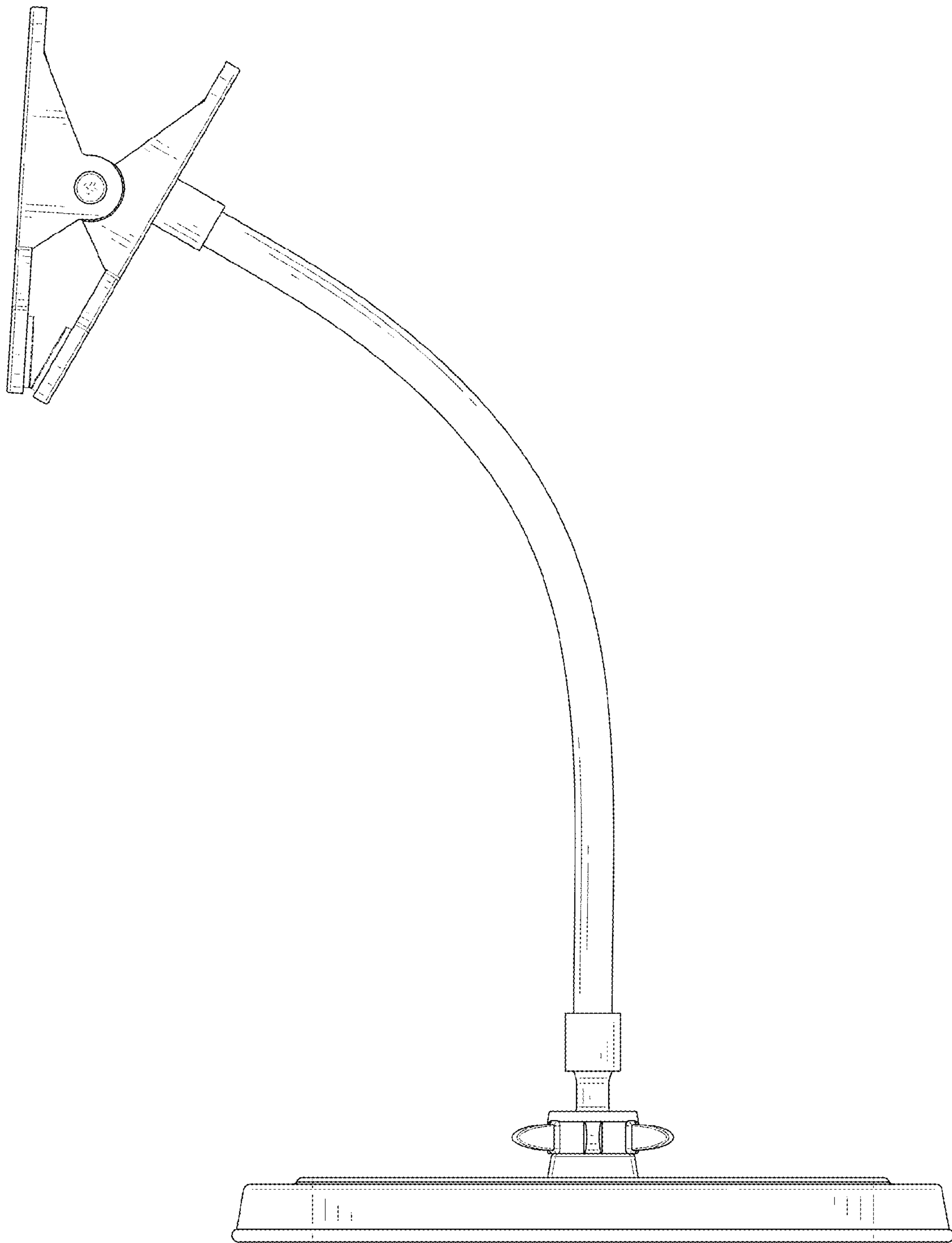


FIG. 6

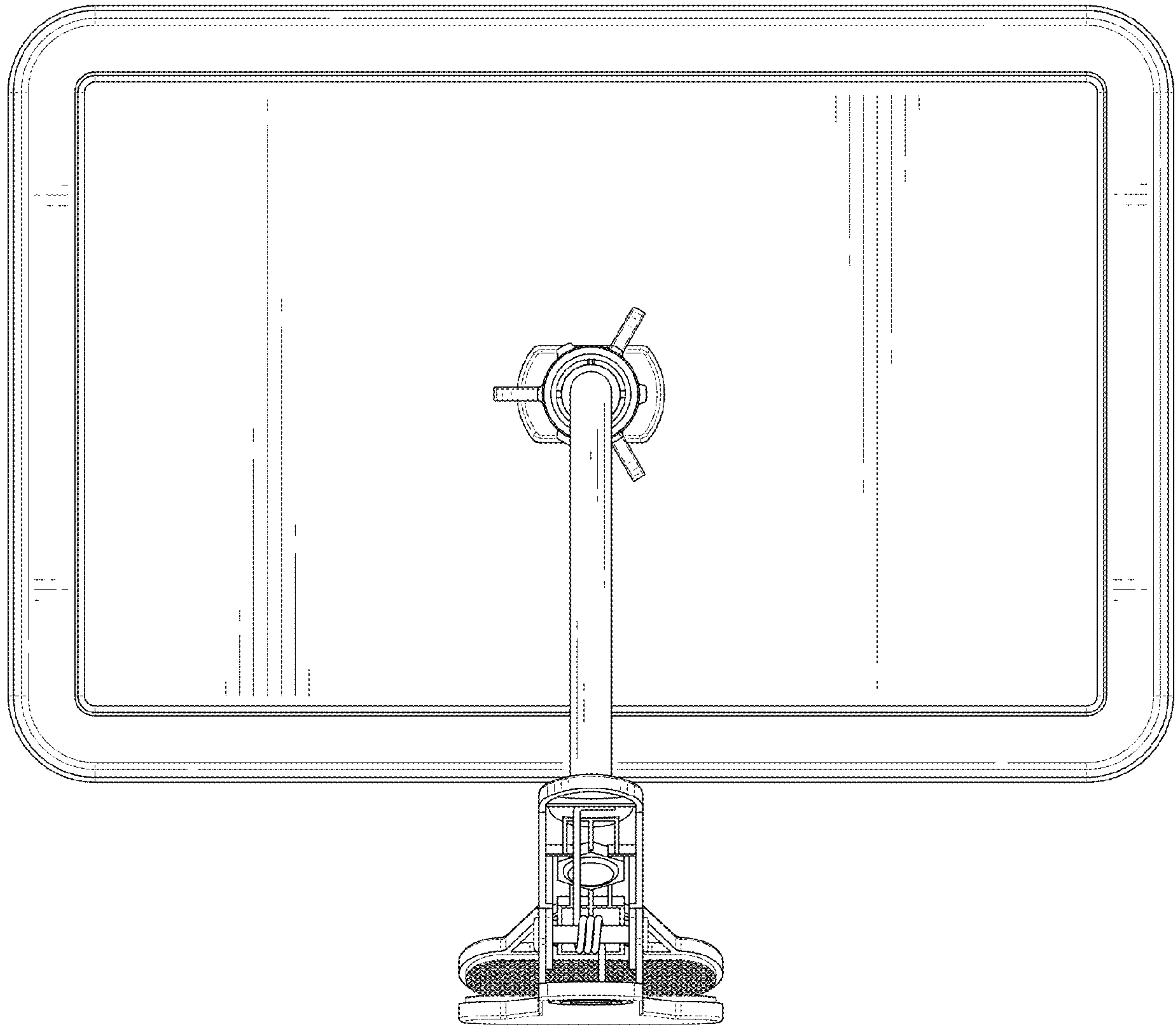


FIG. 7

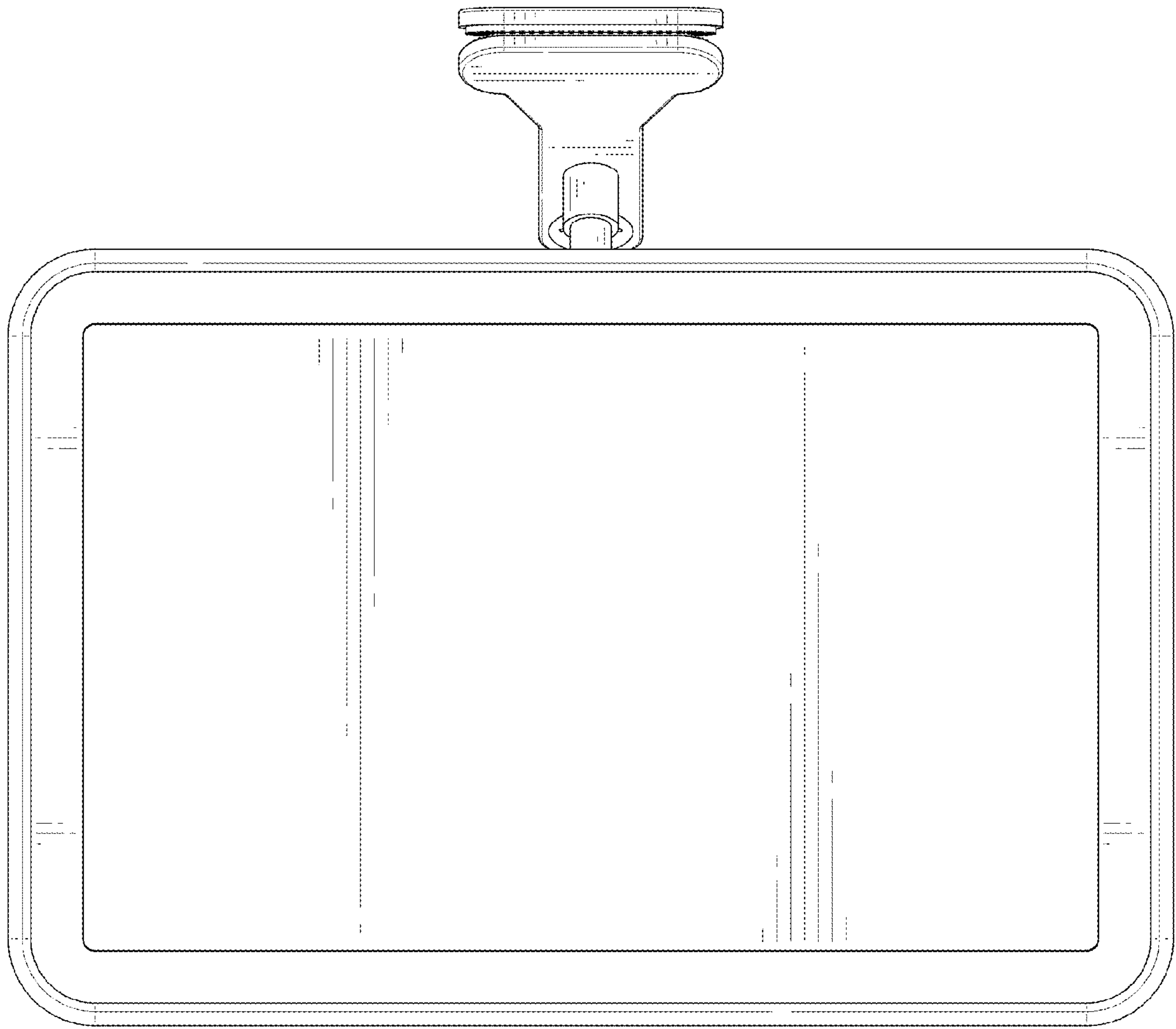


FIG. 8

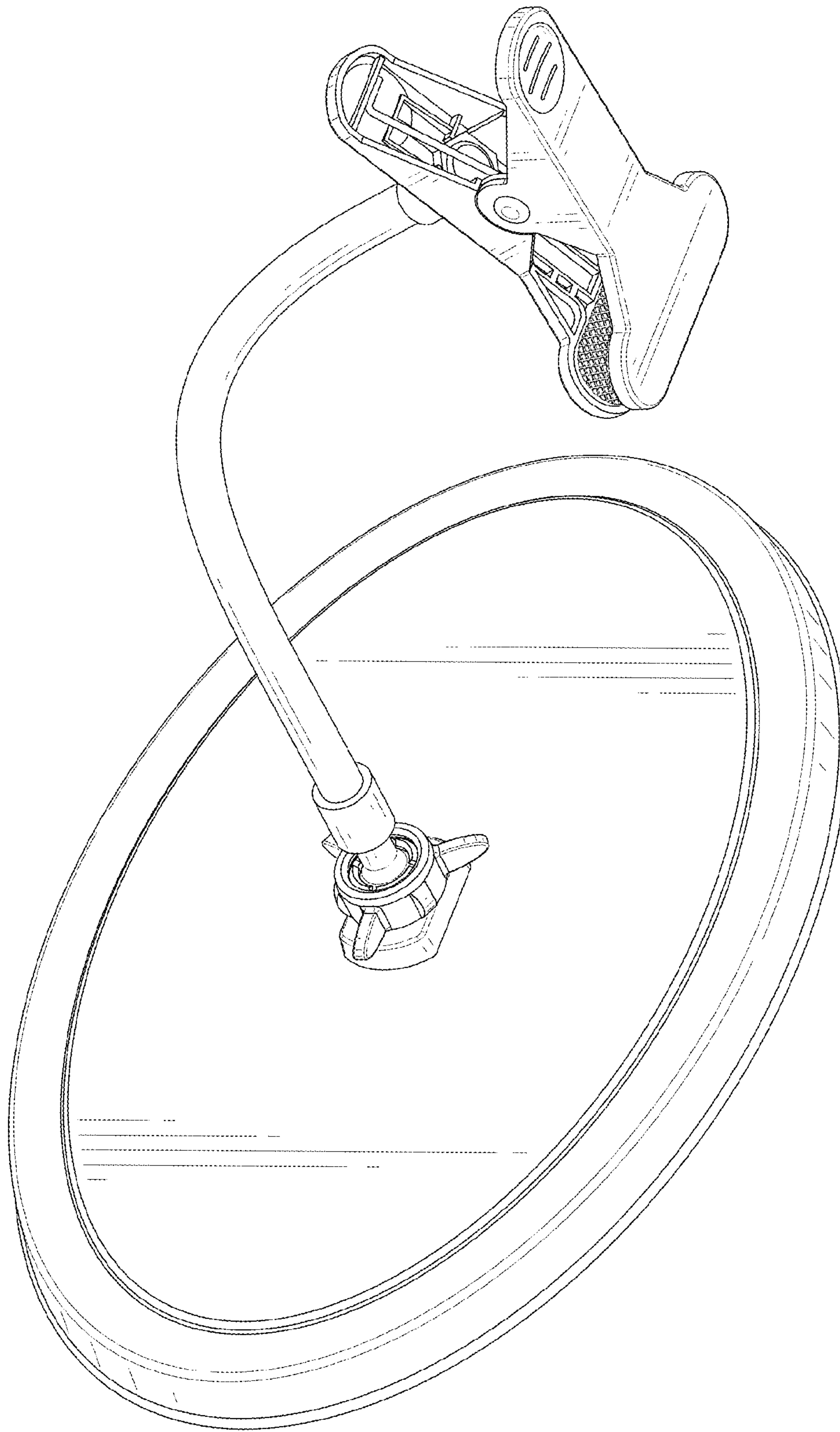


FIG. 9

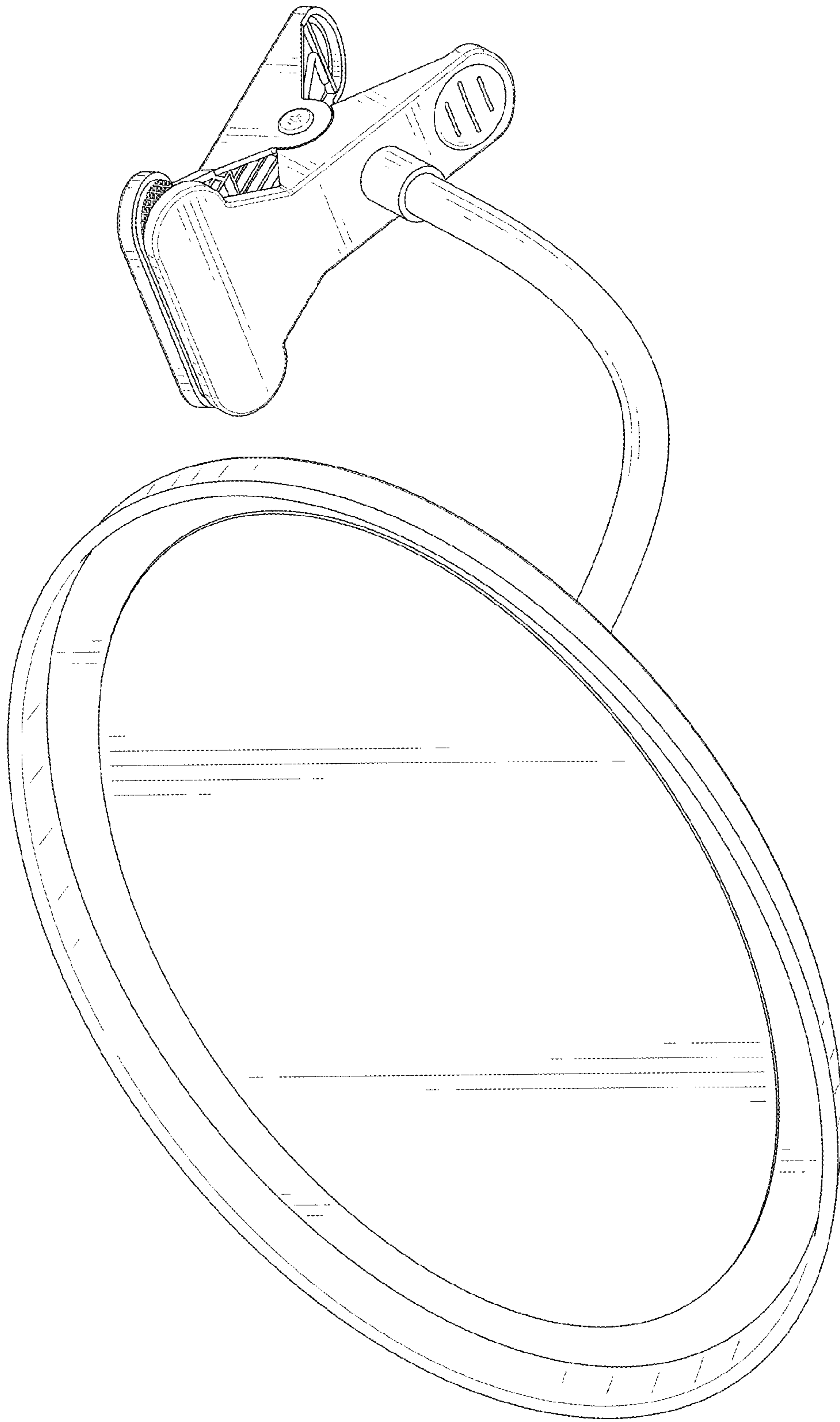


FIG. 10

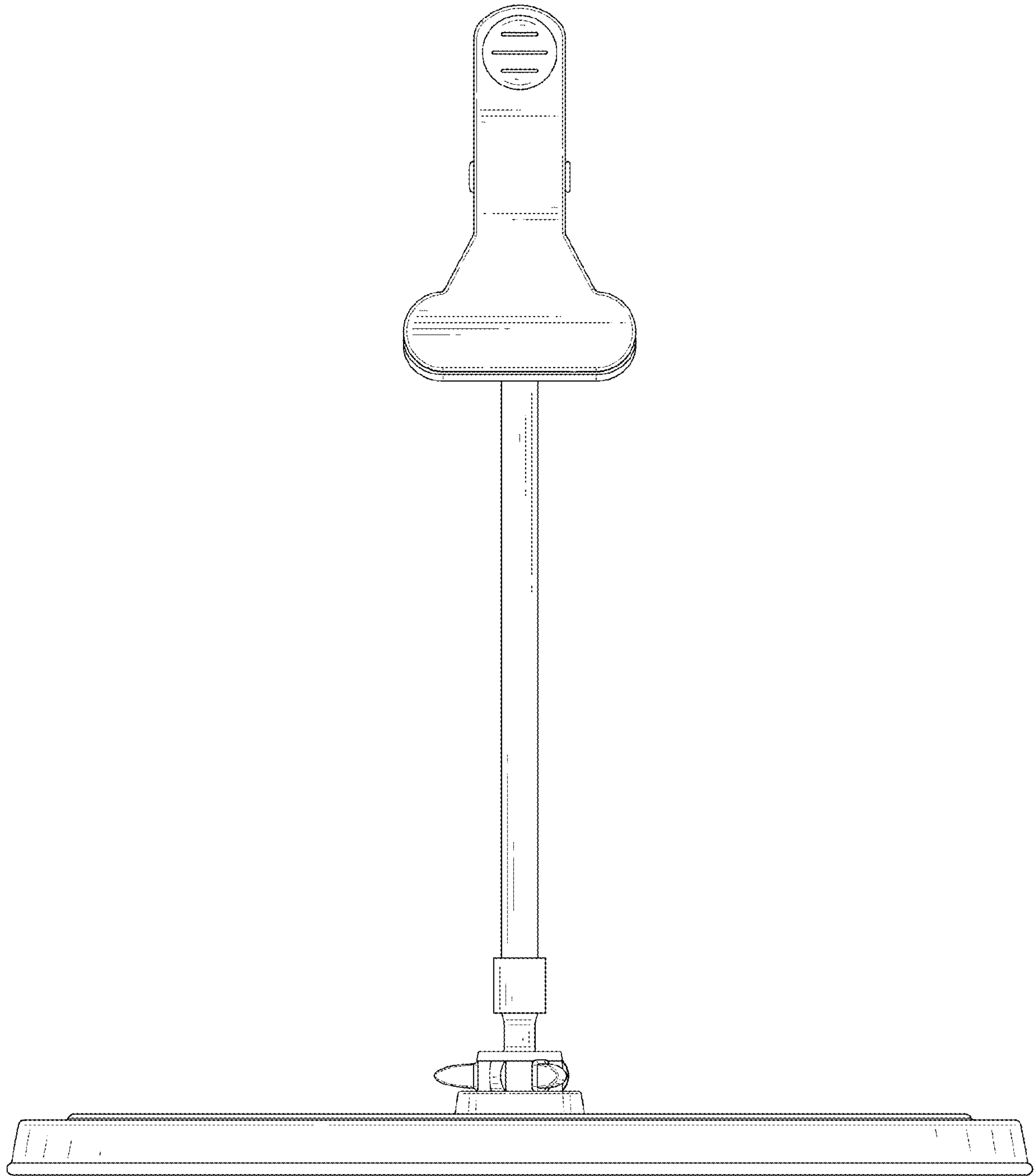


FIG. 11

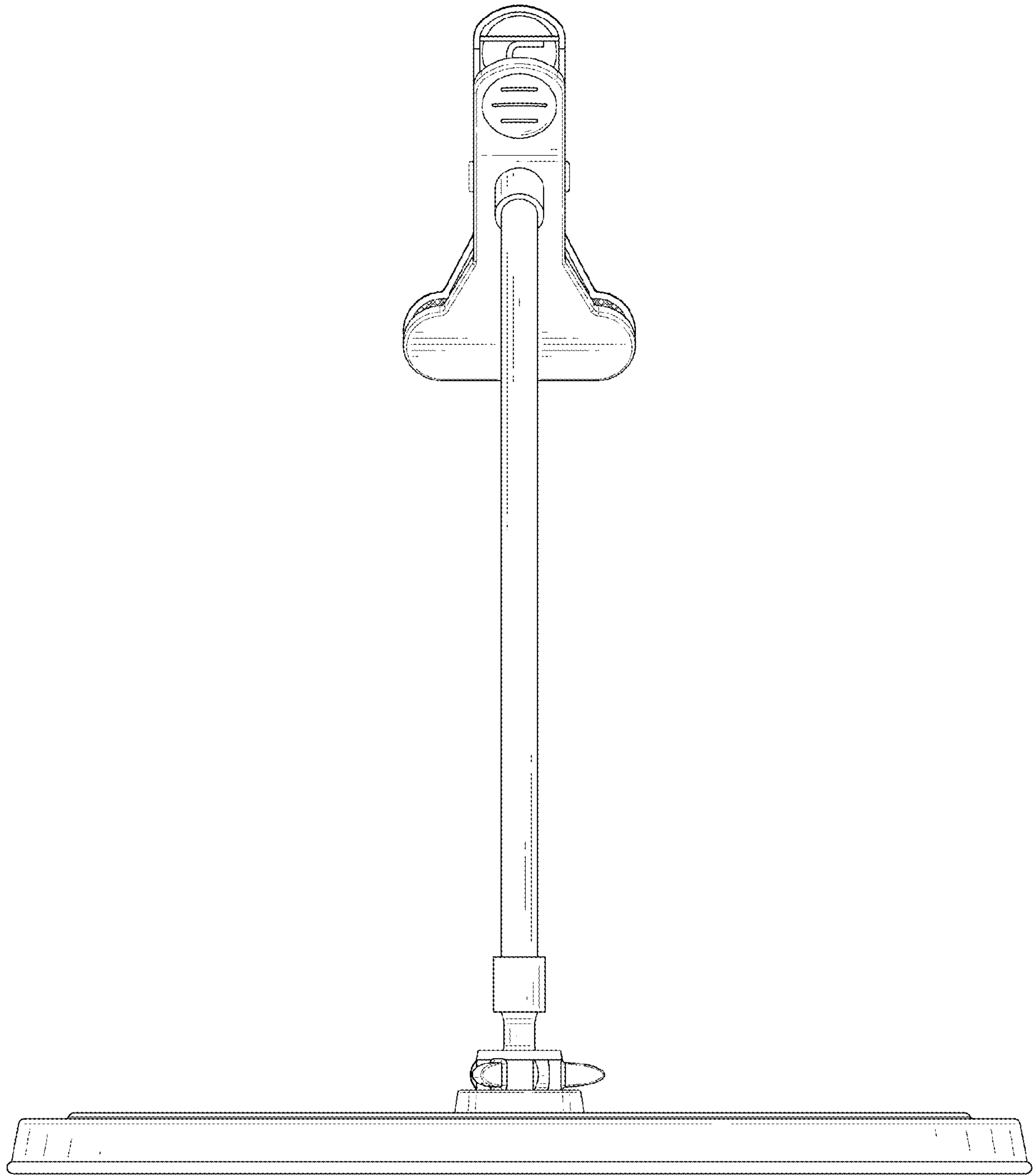


FIG. 12

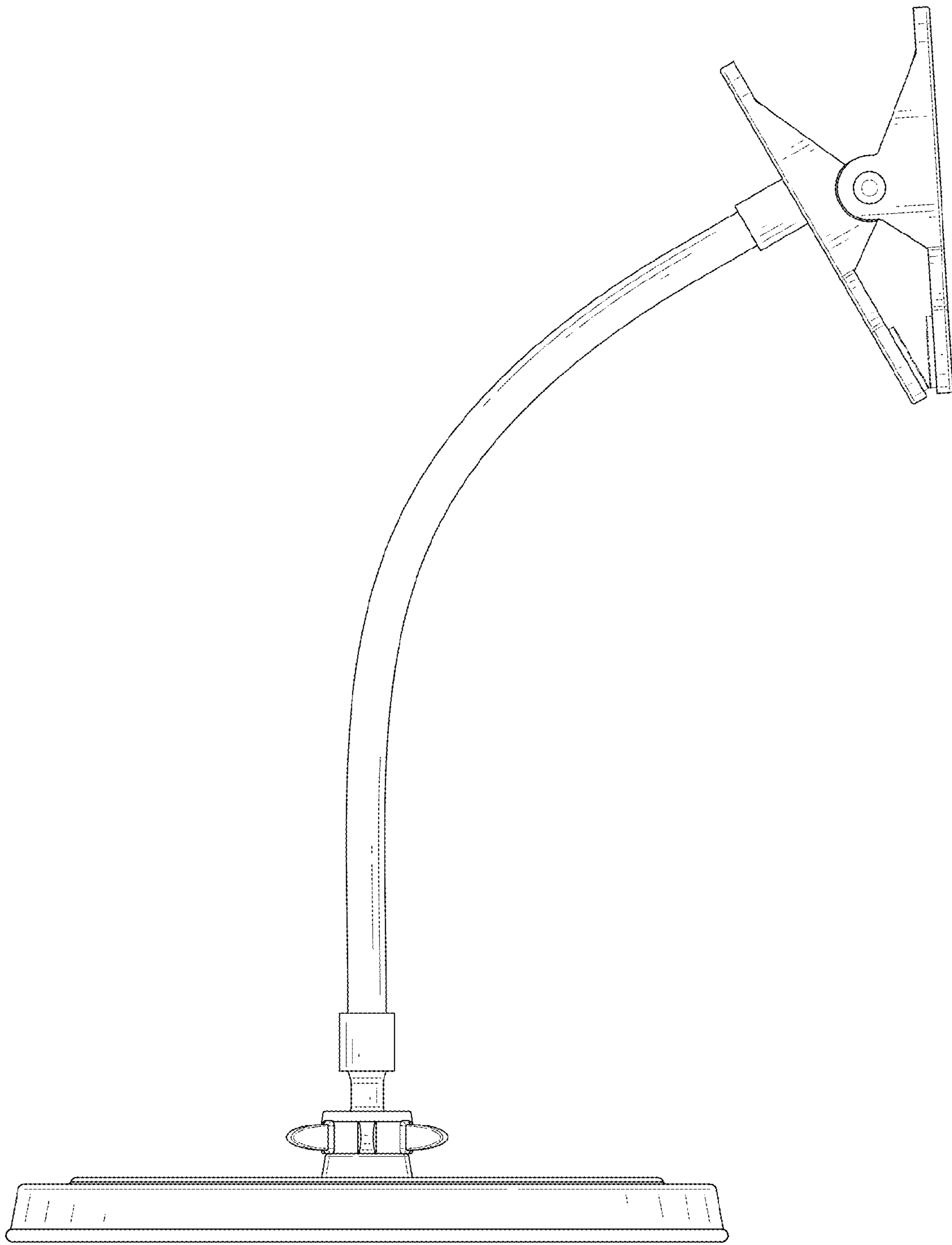


FIG. 13

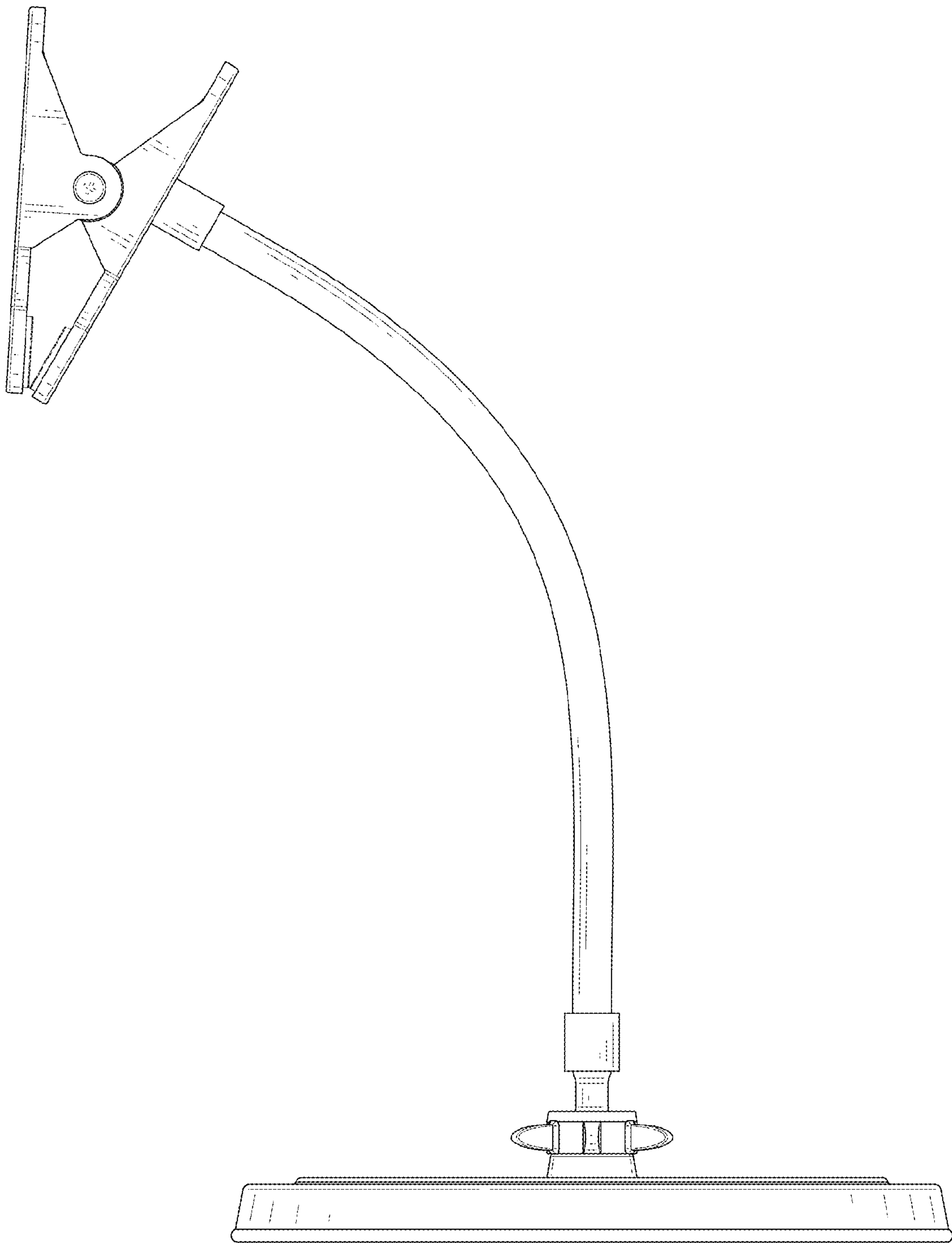


FIG. 14

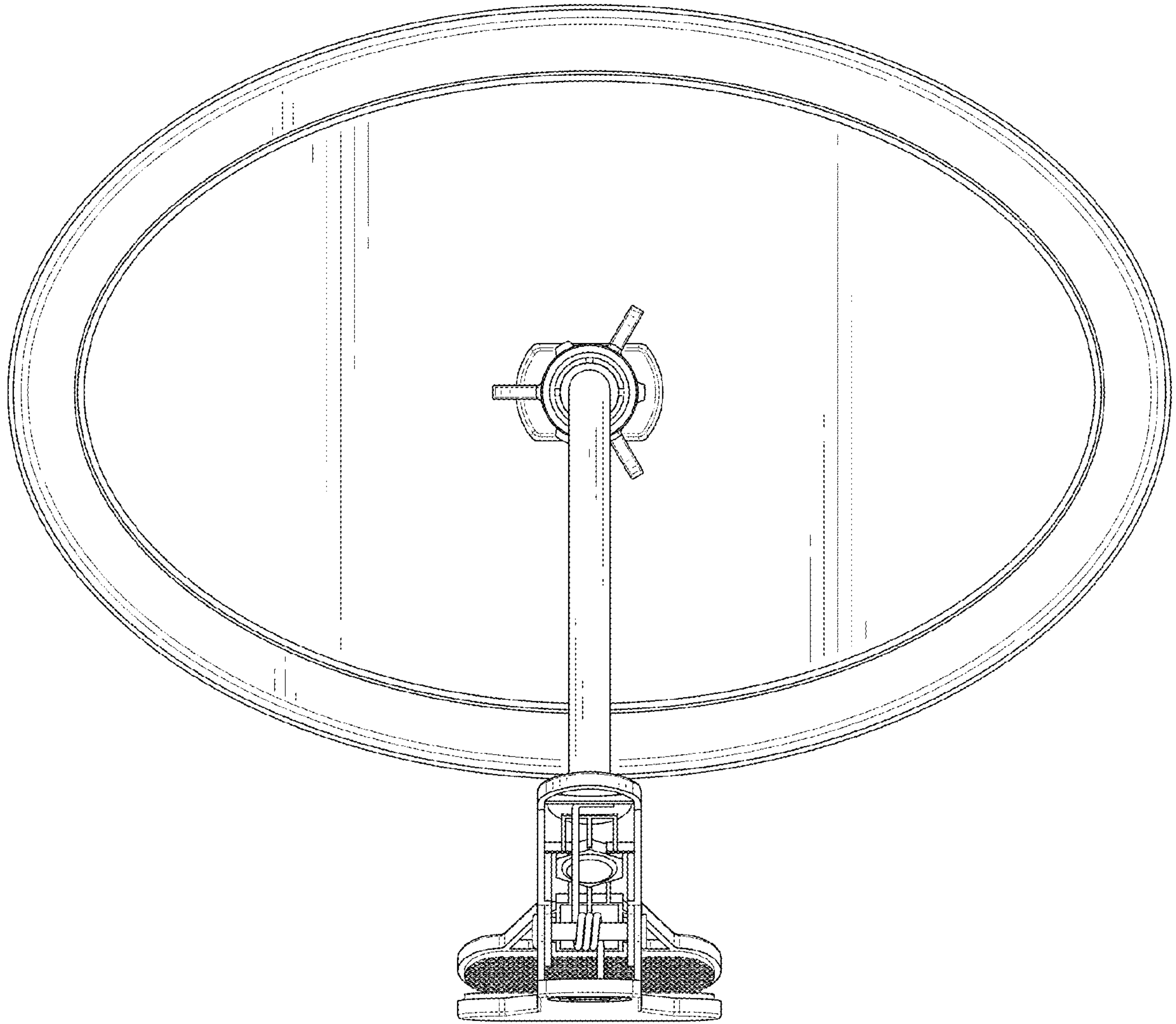


FIG. 15

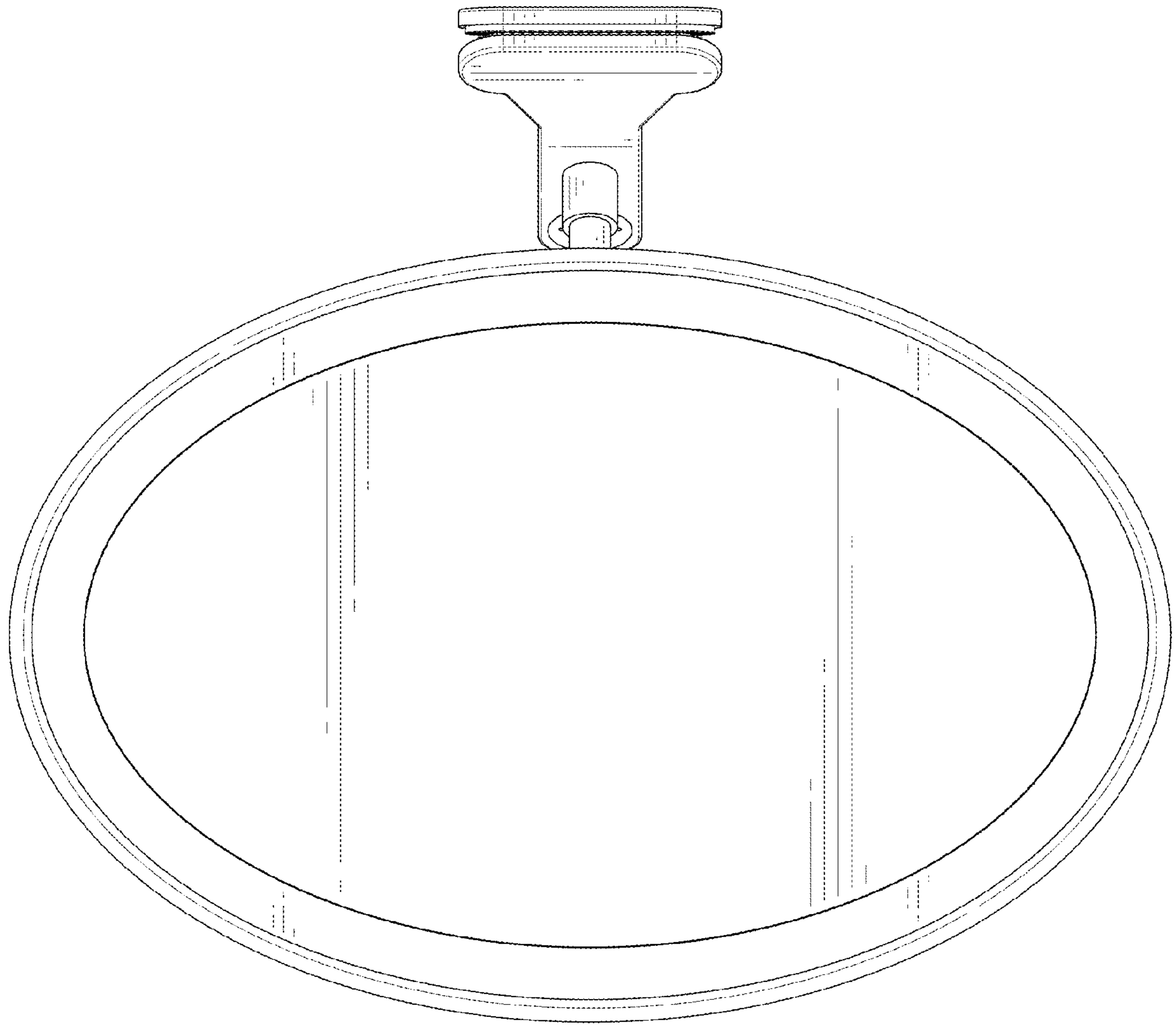


FIG. 16

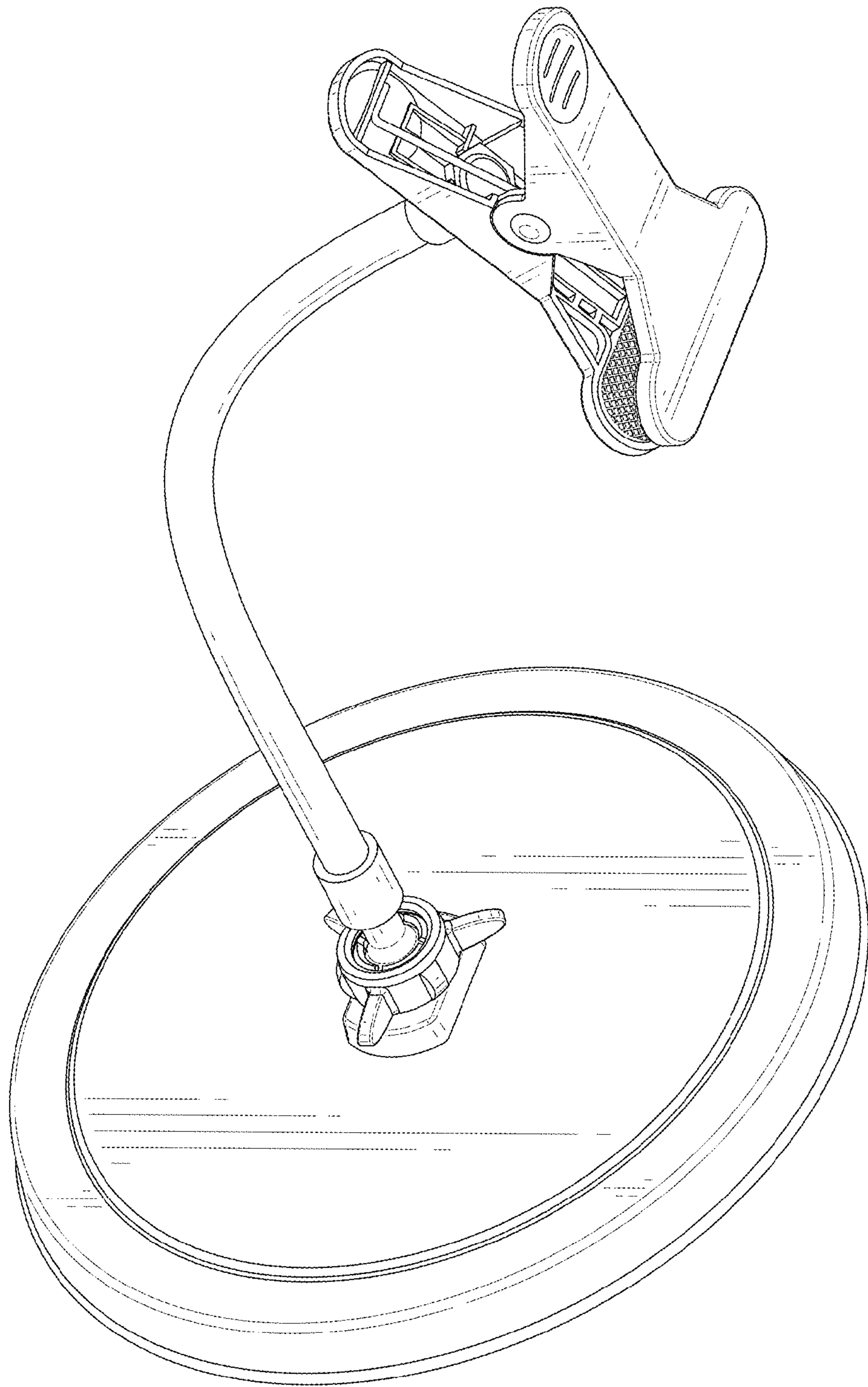


FIG. 17

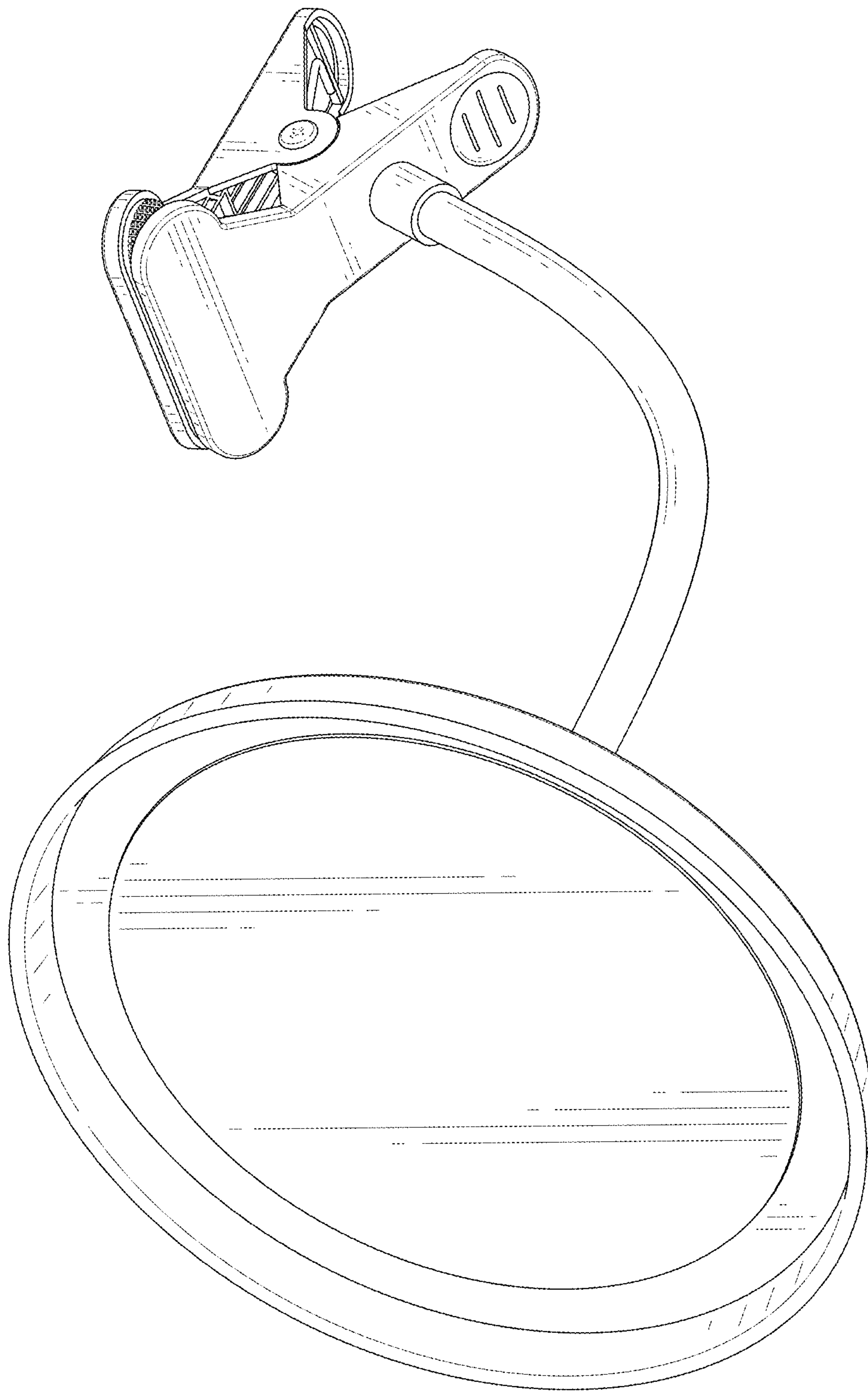


FIG. 18

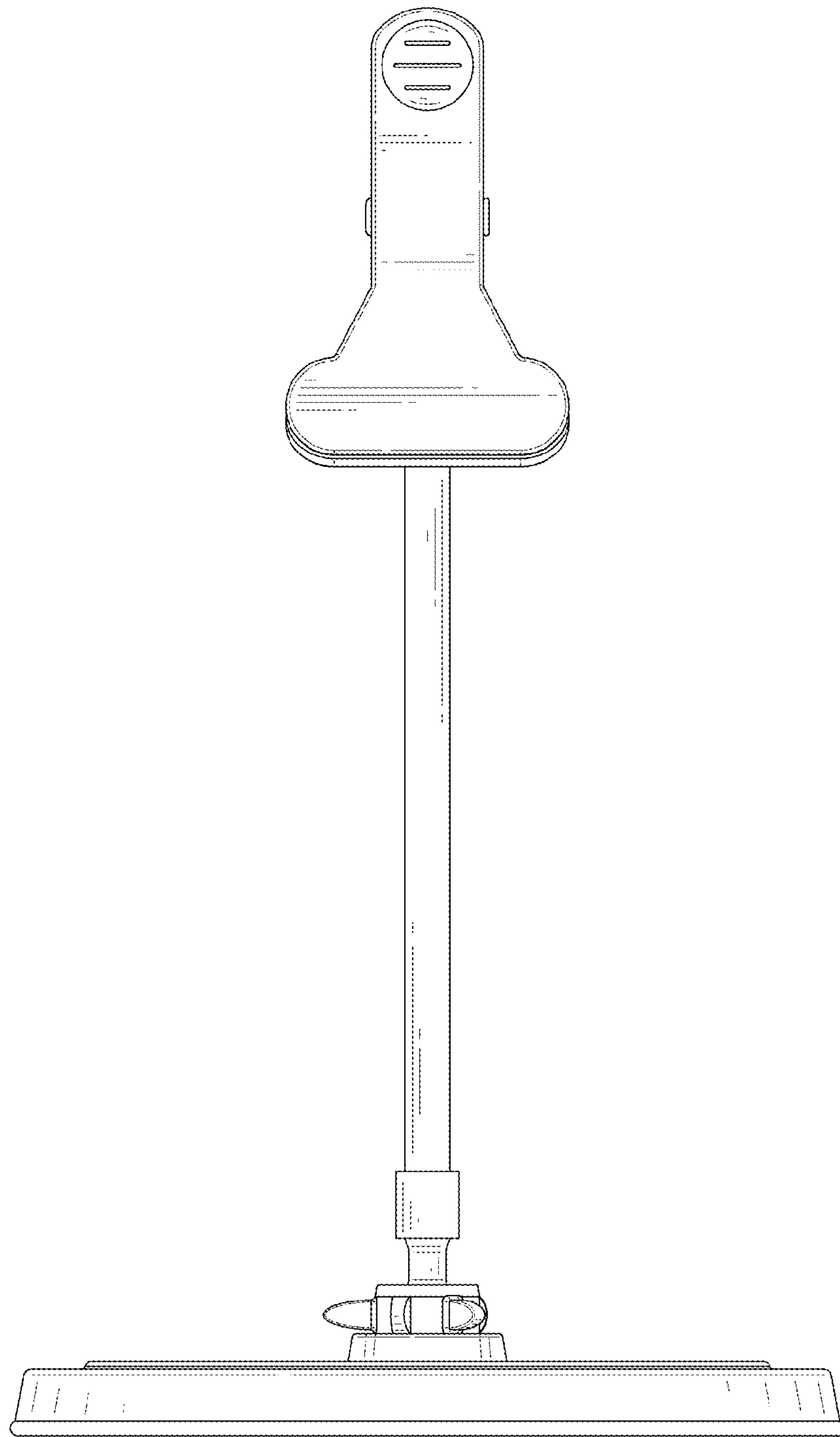


FIG. 19

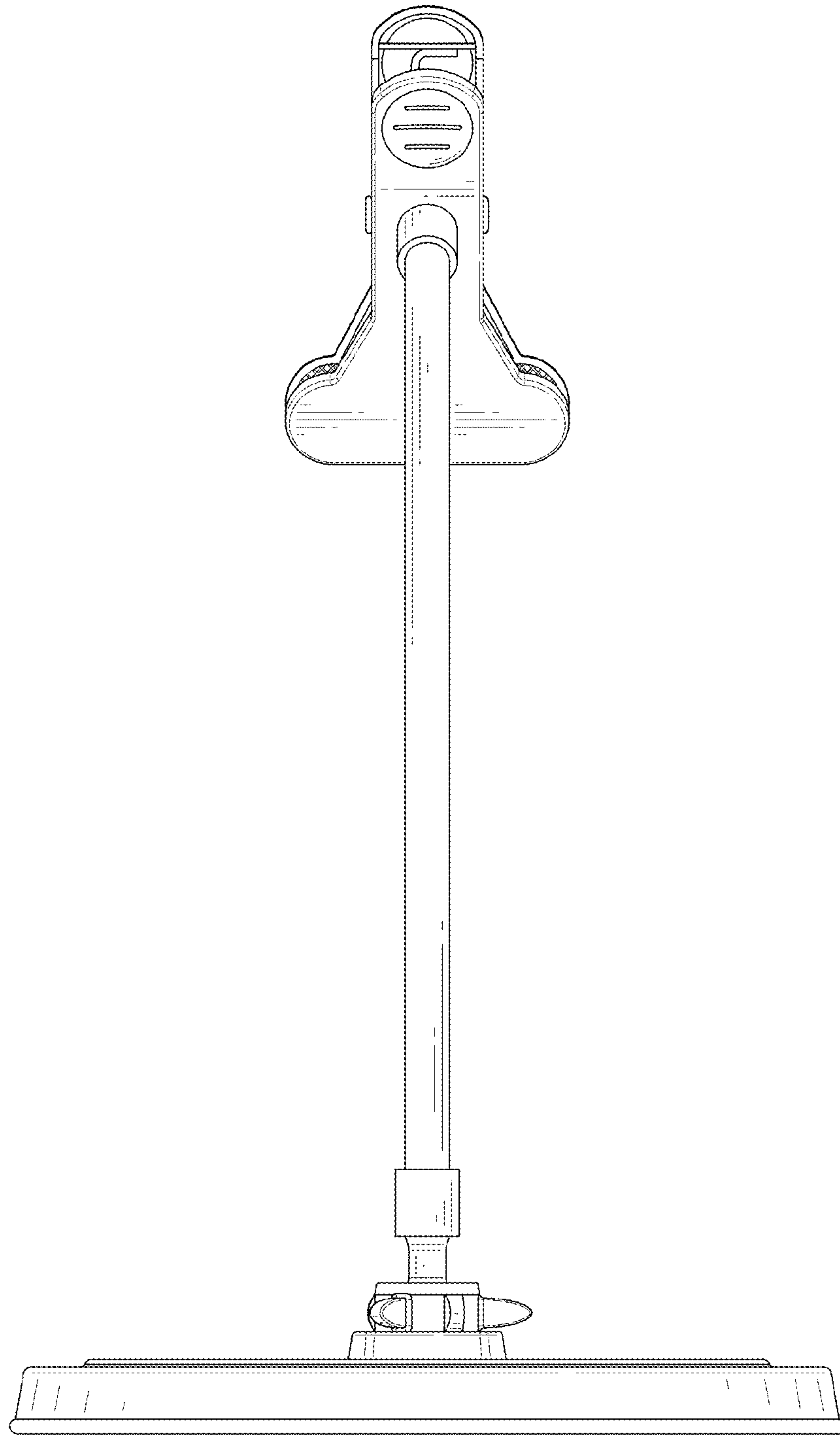


FIG. 20

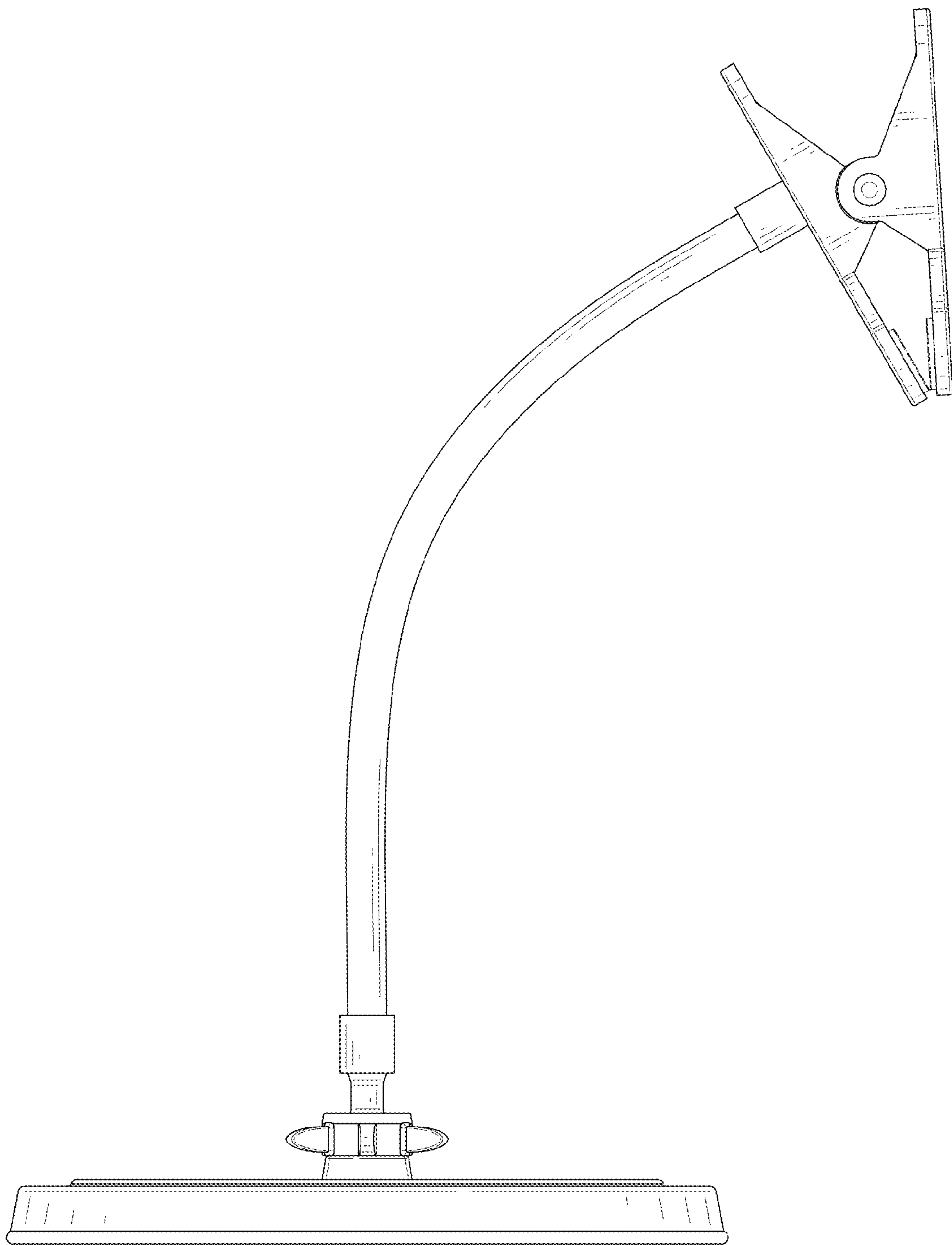


FIG. 21

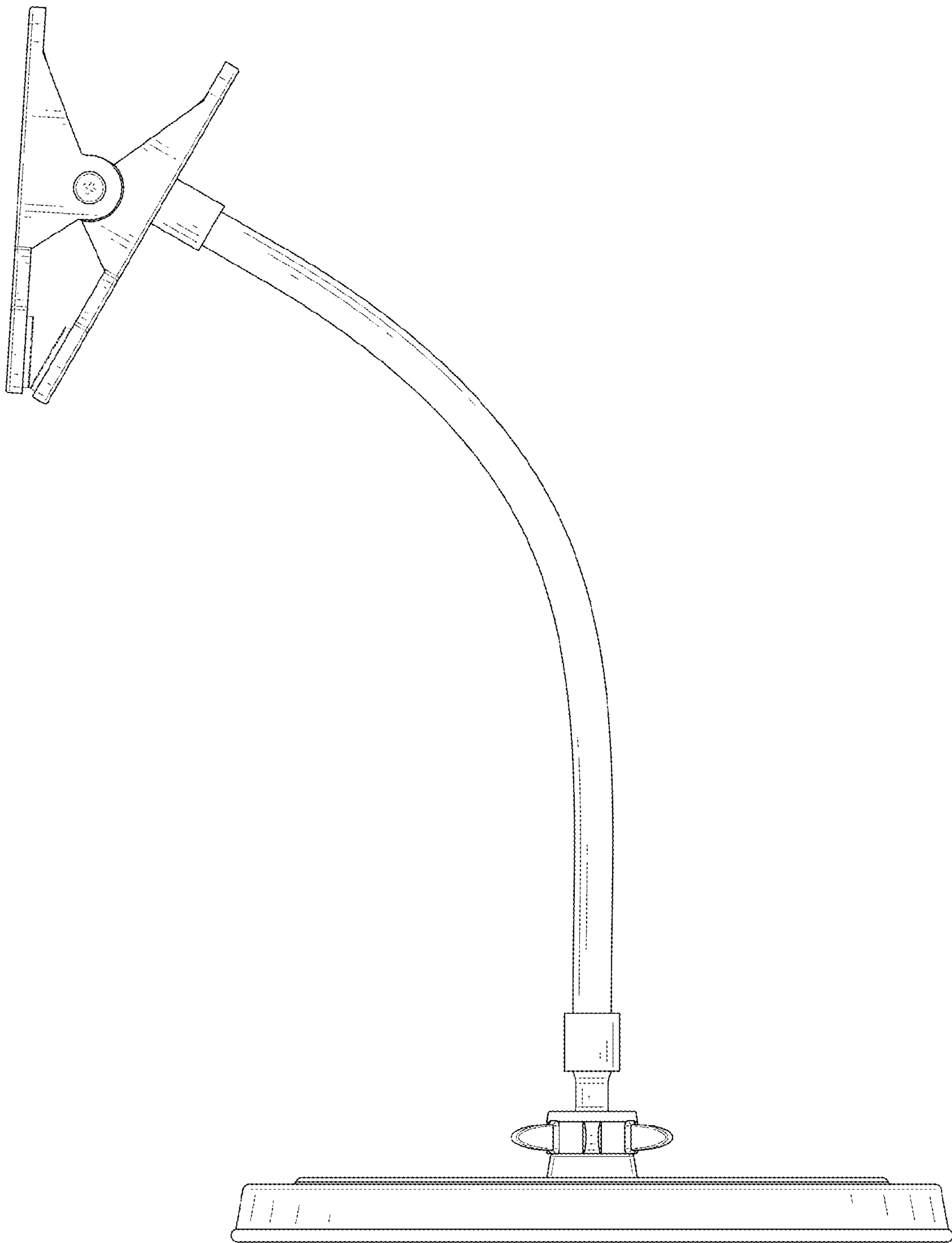


FIG. 22

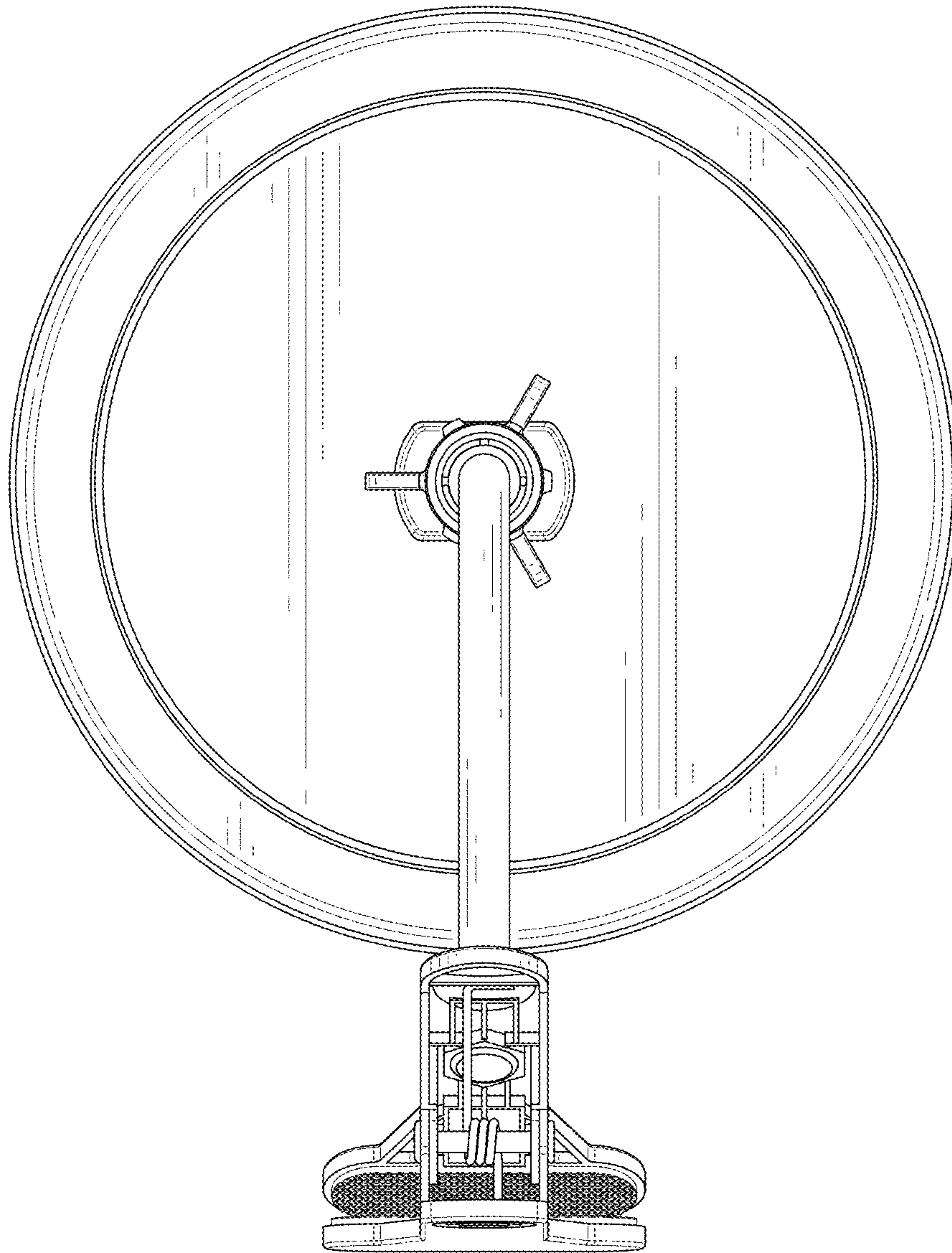


FIG. 23

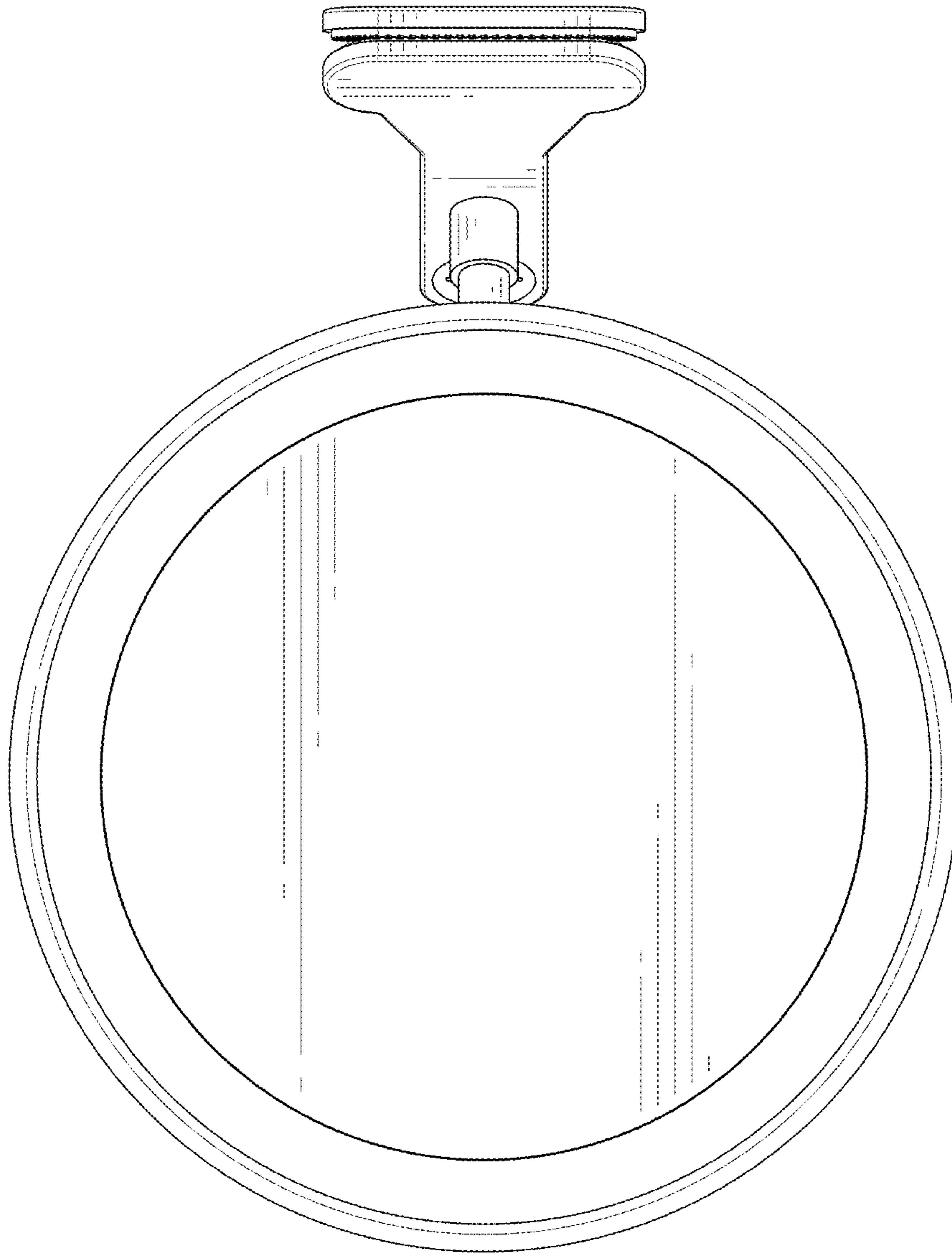


FIG. 24

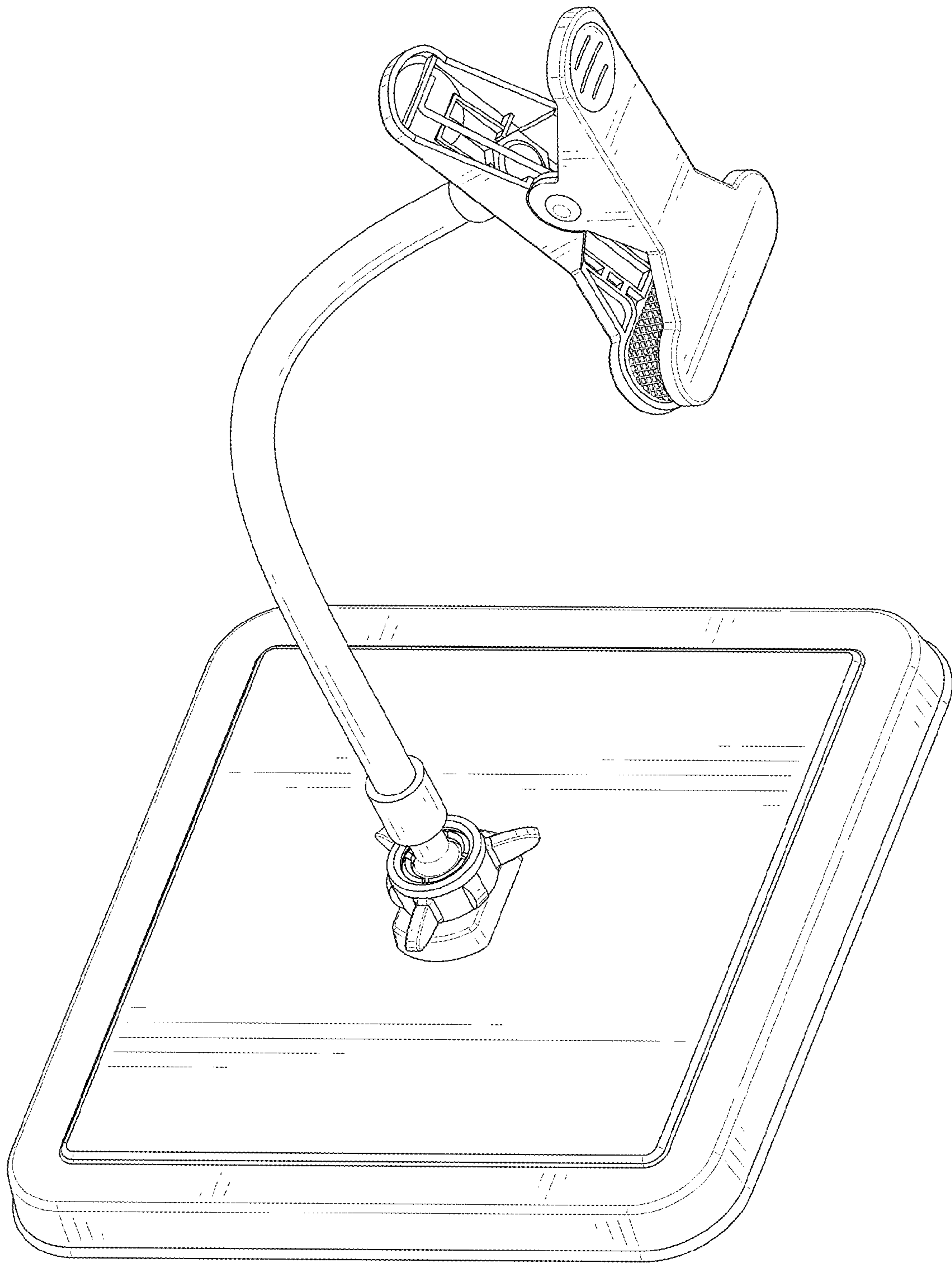


FIG. 25

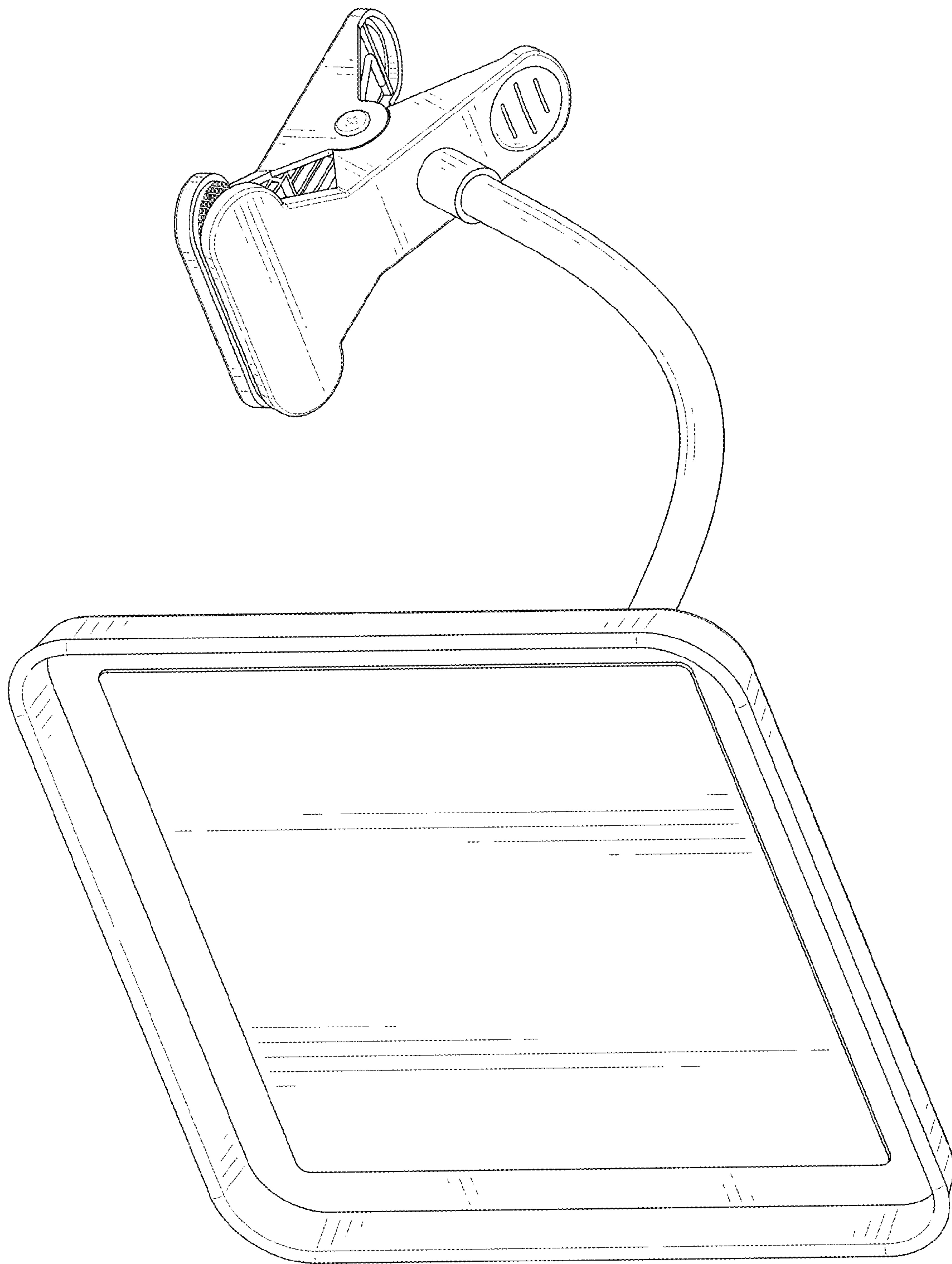


FIG. 26

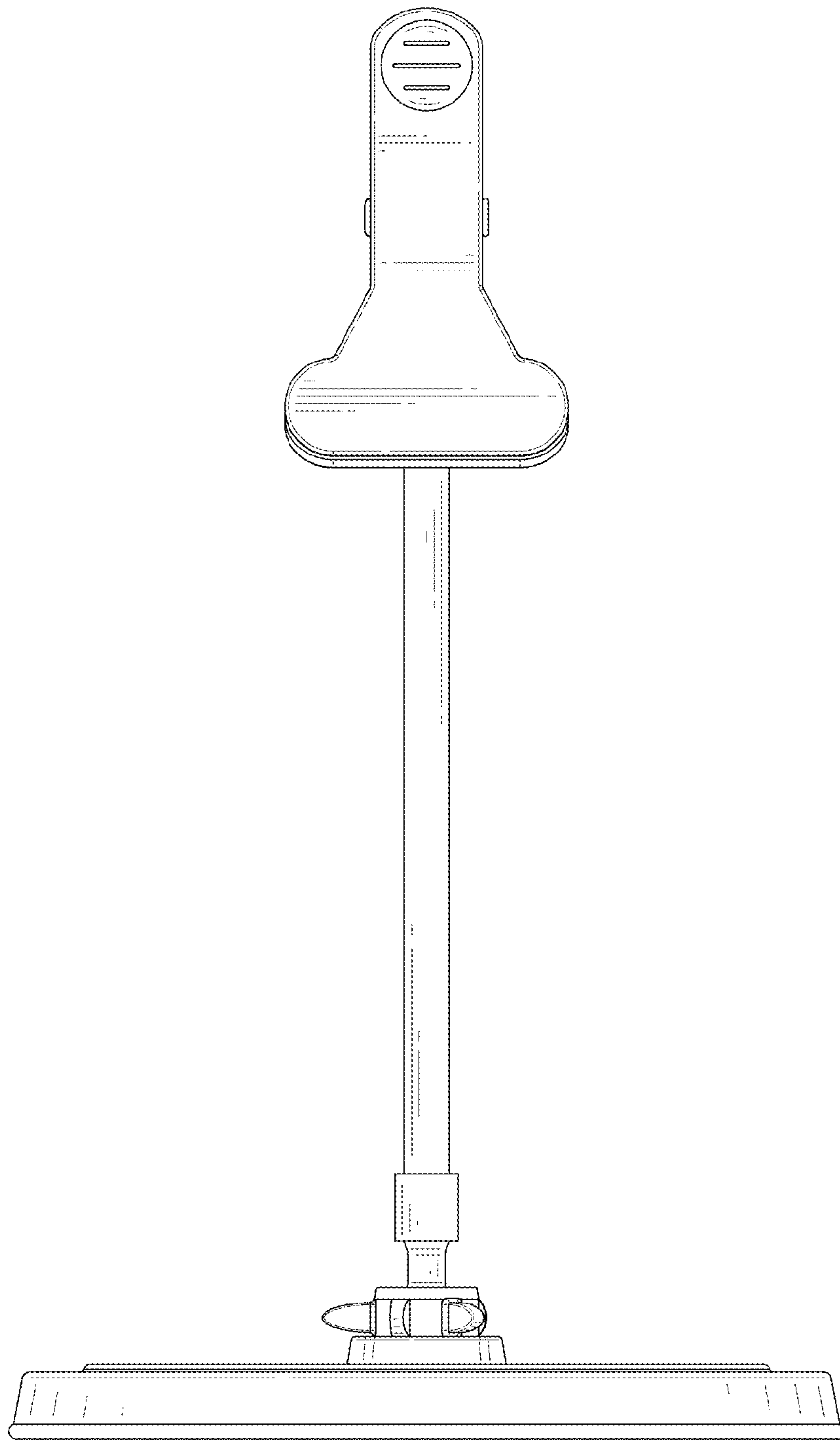


FIG. 27

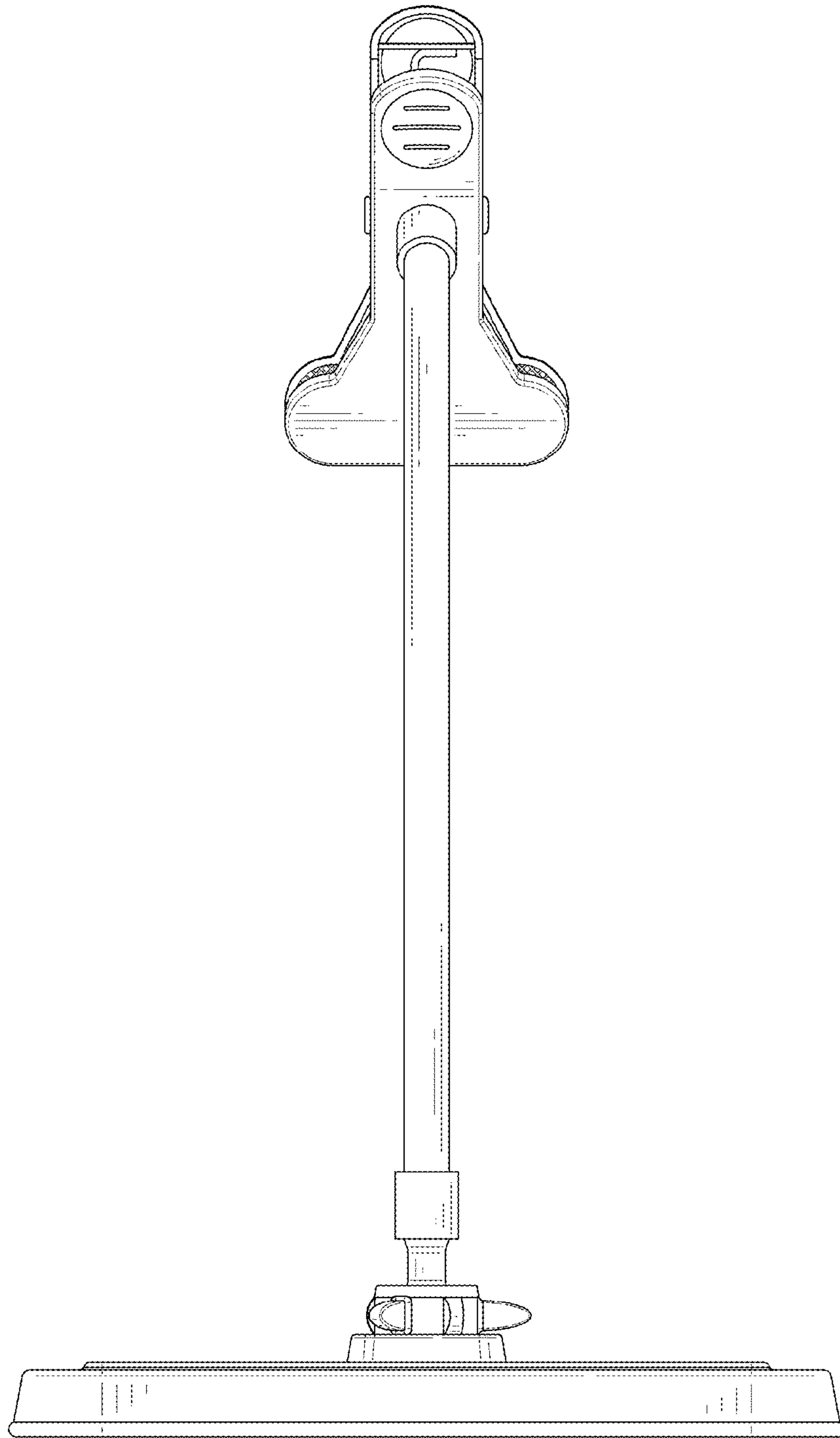


FIG. 28

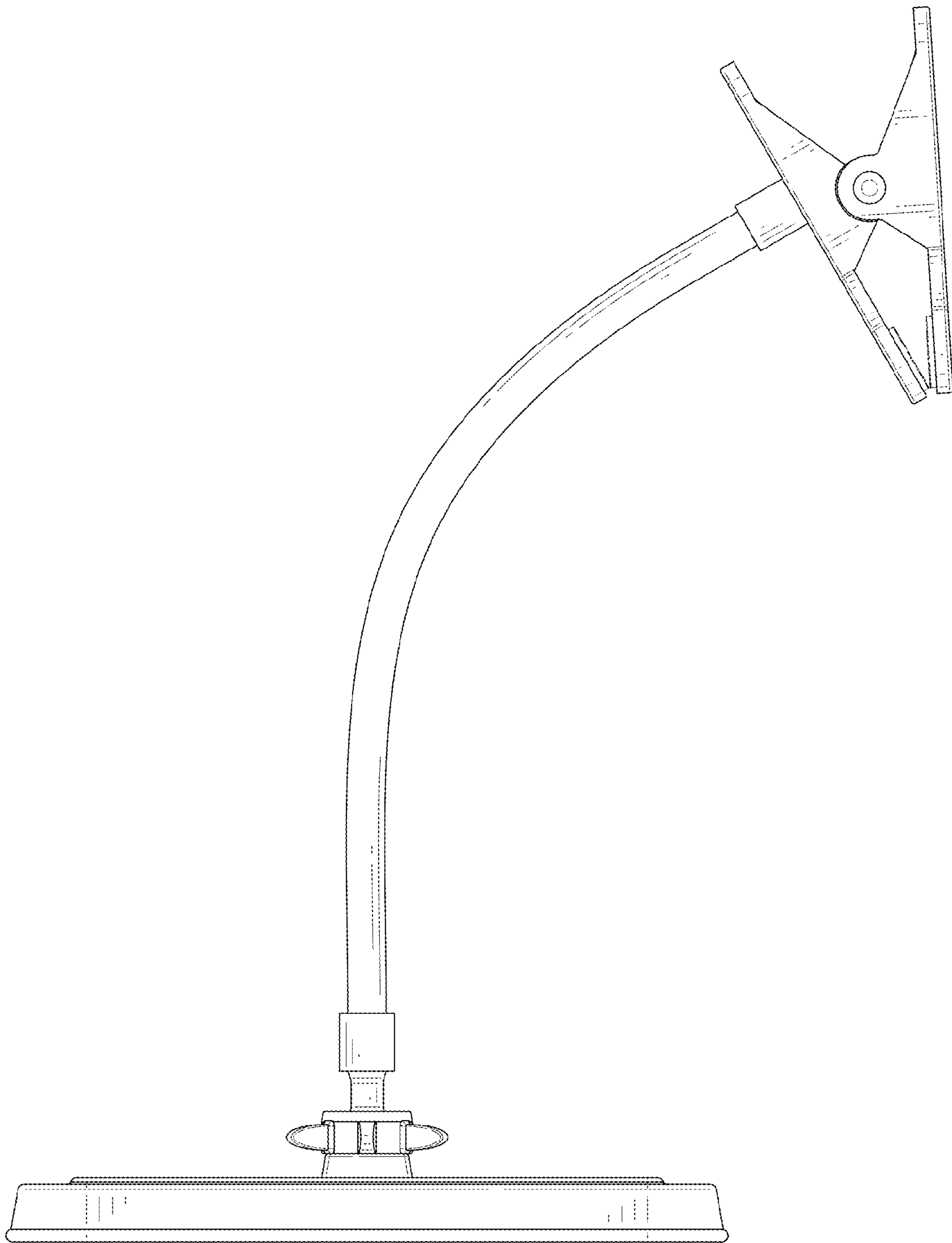


FIG. 29

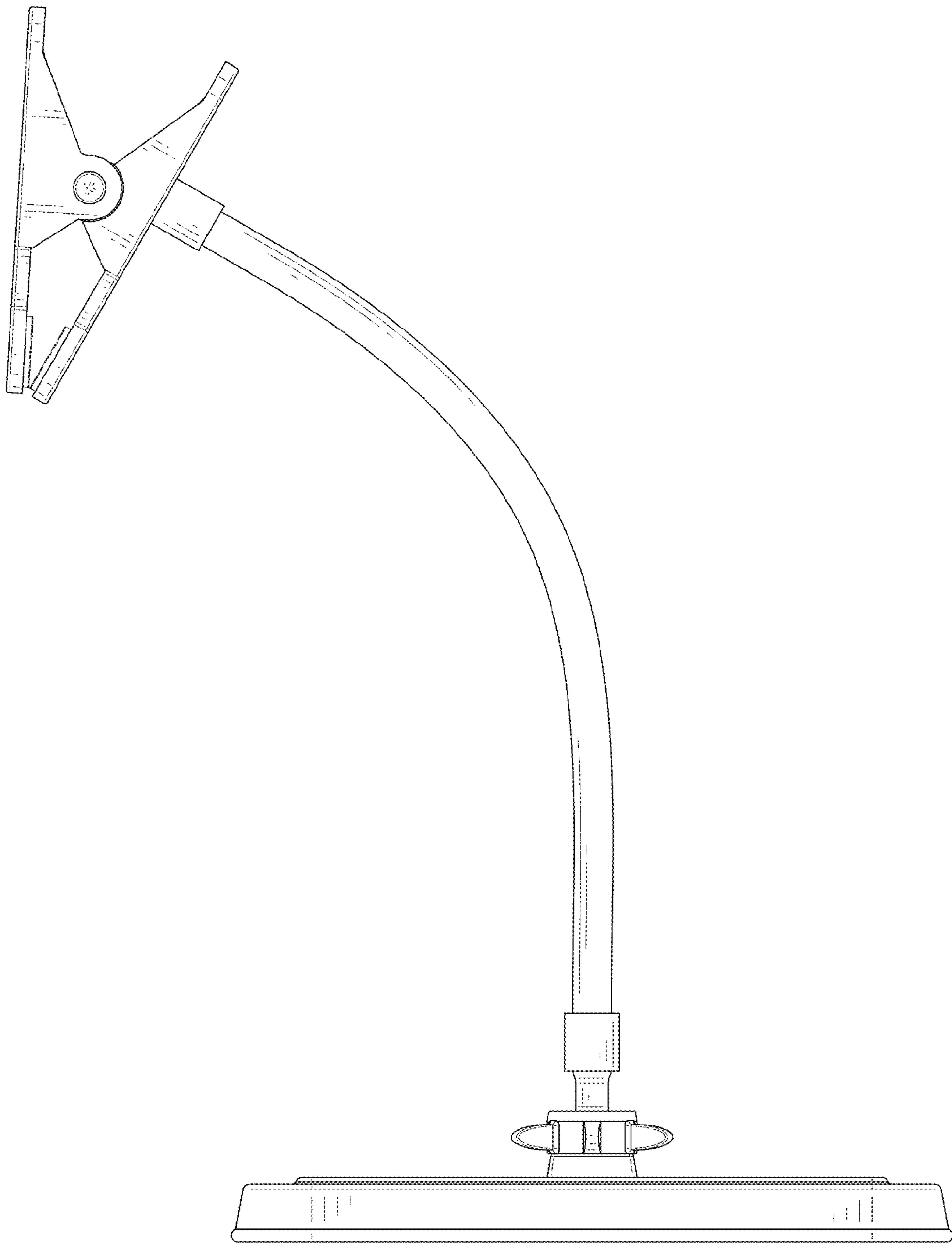


FIG. 30

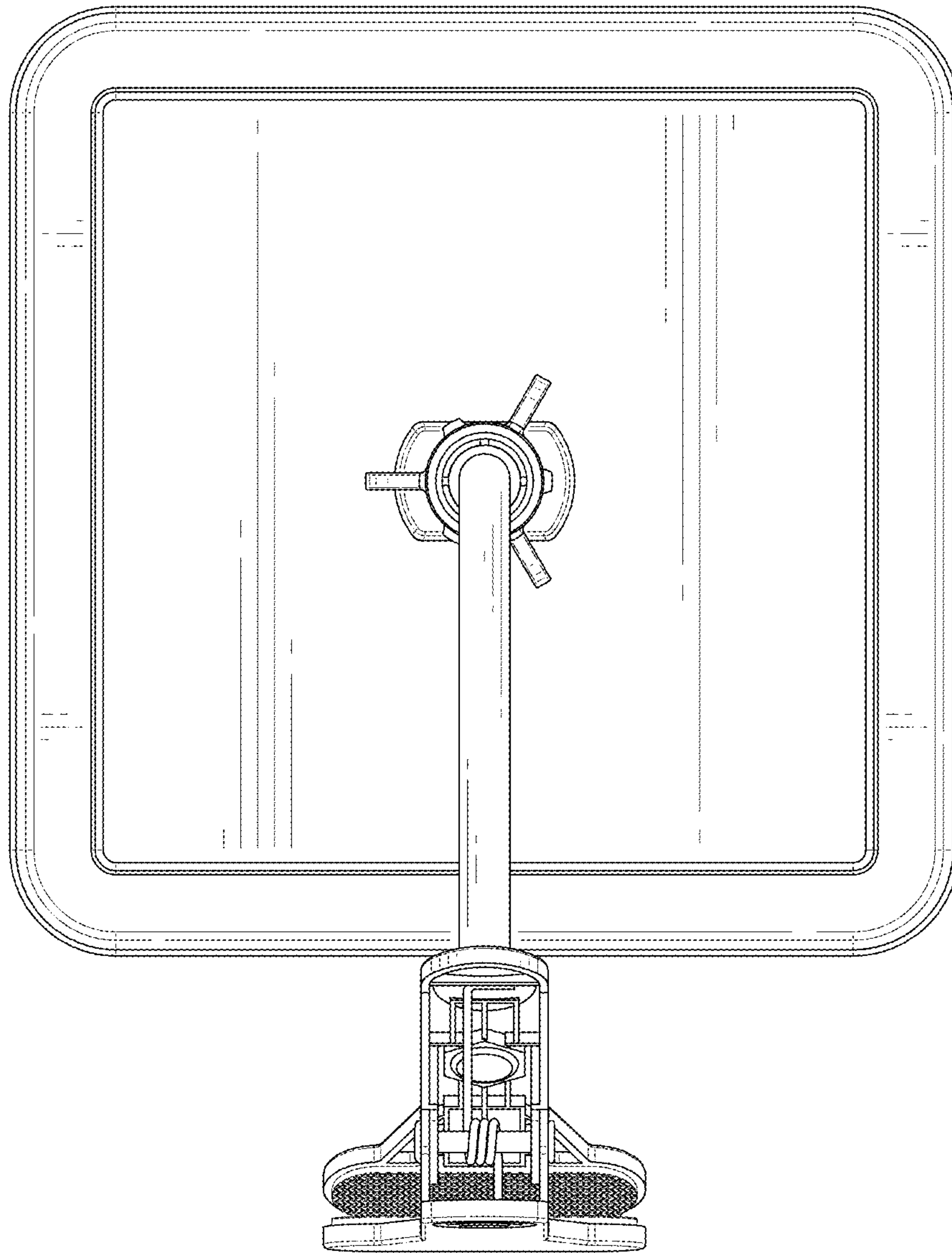


FIG. 31

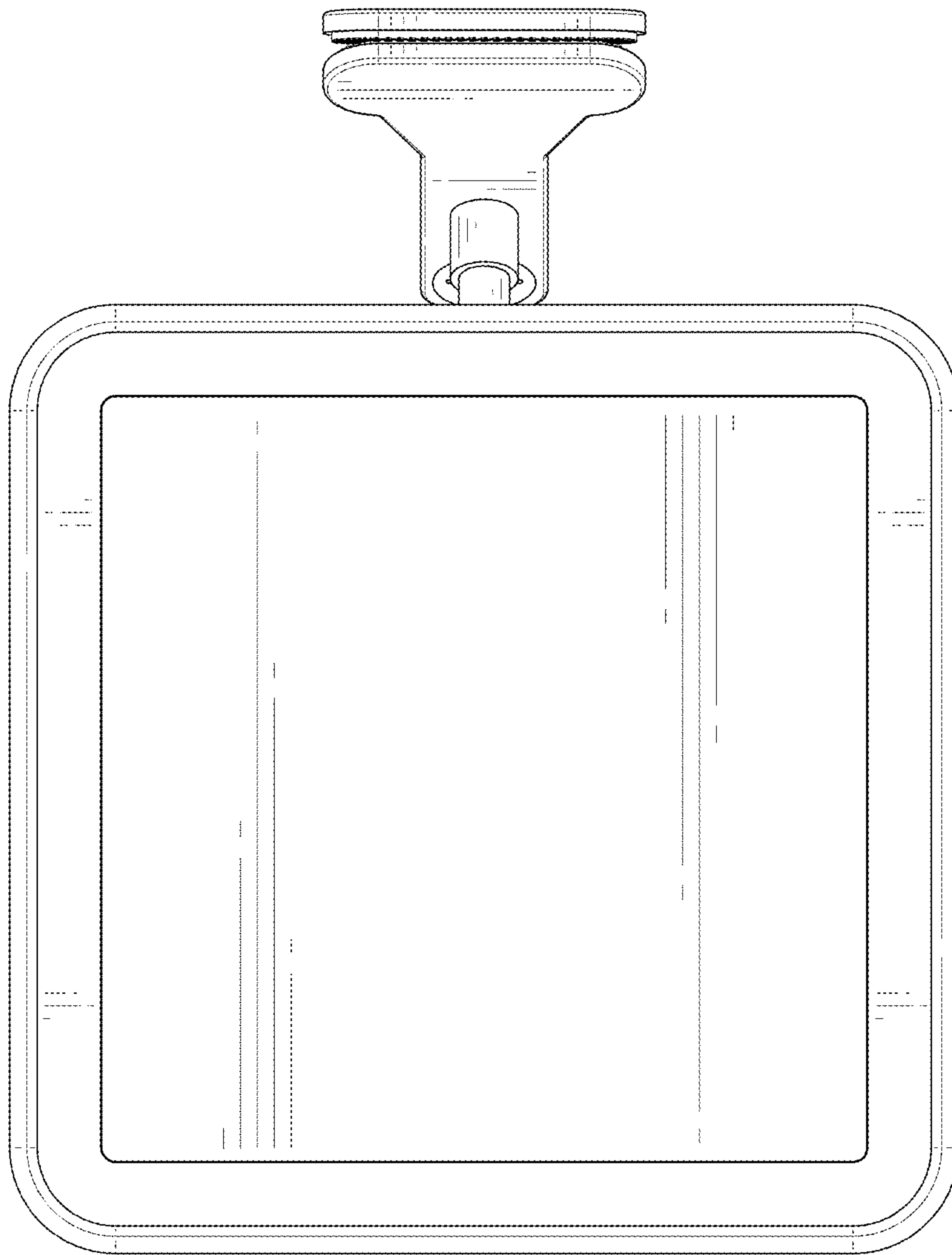


FIG. 32