



US00D916517S

(12) **United States Design Patent**
Lozada

(10) **Patent No.:** **US D916,517 S**
(45) **Date of Patent:** **** Apr. 20, 2021**

(54) **CANTILEVER SHELVING**

- (71) Applicant: **Safe Fleet Acquisition Corp.**, Belton, MO (US)
- (72) Inventor: **Jose E. Lozada**, Pine Beach, NJ (US)
- (73) Assignee: **Safe Fleet Acquisition Corp.**, Belton, MO (US)
- (**) Term: **15 Years**
- (21) Appl. No.: **29/682,121**
- (22) Filed: **Mar. 1, 2019**
- (51) **LOC (13) Cl.** **06-04**
- (52) **U.S. Cl.**
USPC **D6/574**
- (58) **Field of Classification Search**
USPC D6/574, 479, 553, 555, 567, 569, 675.1, D6/678.1; 108/33, 40, 42, 115, 134; 206/312.1, 509; 211/13.1, 87.01, 85.17, 211/90.02, 126.5, 134; 312/107, 198
CPC A47B 95/008; A47B 96/06; A47B 95/00
See application file for complete search history.

(56) **References Cited**

U.S. PATENT DOCUMENTS

D443,163	S	*	6/2001	Welch	D6/574
D716,581	S	*	11/2014	Davis	D6/574
10,021,972	B1	*	7/2018	Robinson	A47B 96/061
D887,747	S	*	6/2020	Chiang	D6/574
2014/0217046	A1	*	8/2014	Wang	A47B 96/021
						211/134
2014/0263125	A1	*	9/2014	Gonzalez	A47B 96/06
						211/134
2015/0335155	A1	*	11/2015	Winker	A47B 96/061
						211/90.02
2020/0054125	A1	*	2/2020	Robinson	A47B 96/028

OTHER PUBLICATIONS

Ranger Fold-Away Foldable Van Shelving downloaded from <https://rangerdesign.com/fold-away-shelving/> on Feb. 27, 2019.
Autosafe Van Shelving downloaded from <https://www.autosafe.com.au/our-products/van-shelving> on Feb. 27, 2019.

* cited by examiner

Primary Examiner — Mark Booker

(74) *Attorney, Agent, or Firm* — Leech Tishman Fuscaldo & Lampl; Michael D. Lazzara

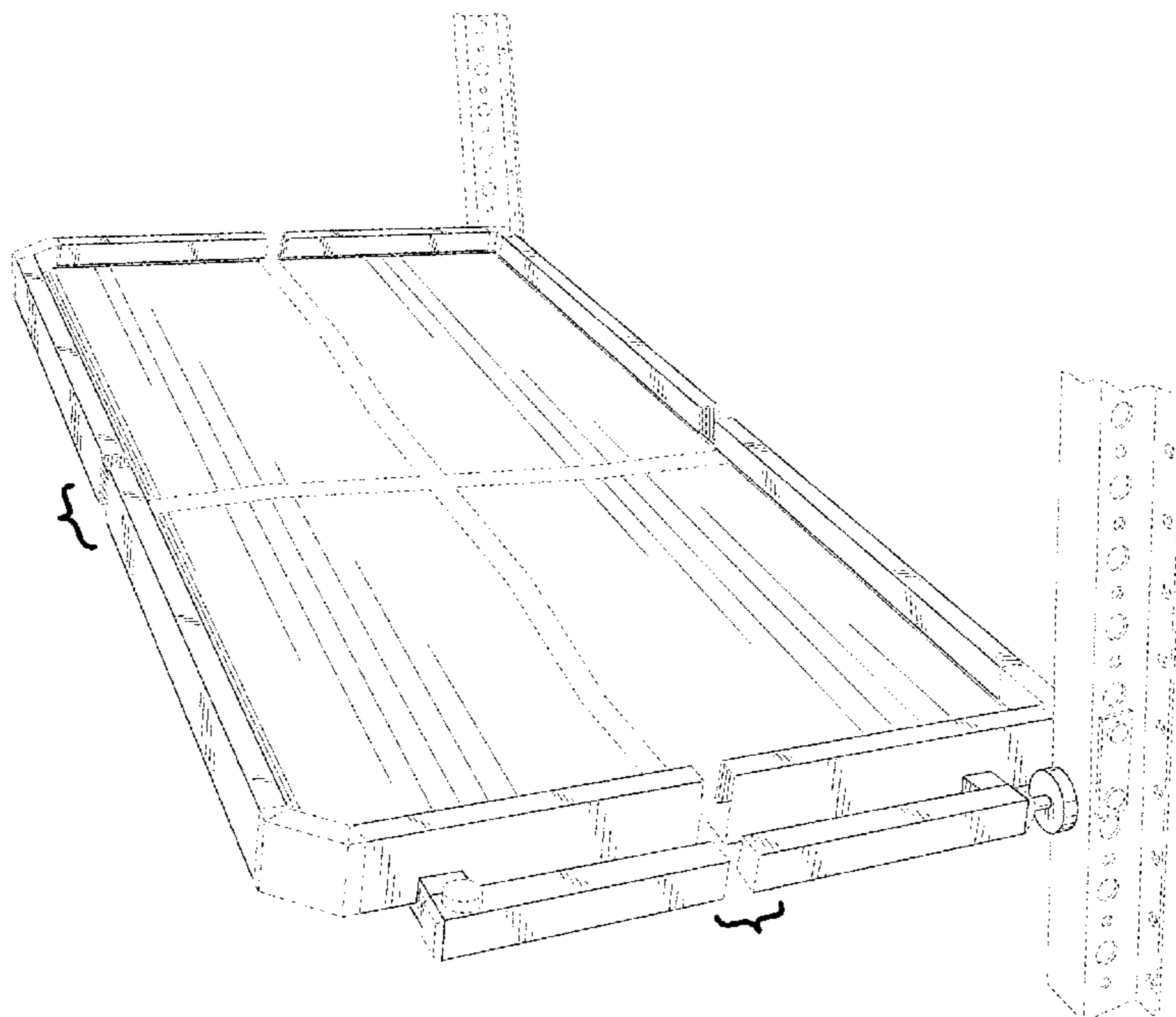
(57) **CLAIM**

The ornamental design for a cantilever shelving, as shown and described.

DESCRIPTION

FIG. 1 is a perspective view of the cantilever shelving; FIG. 2 is a top view thereof; FIG. 3 is a bottom view thereof; FIG. 4 is a right side view thereof, the left side view being a mirror image thereof; FIG. 5 is a front view thereof; FIG. 6 is a rear view thereof; and, FIG. 7 is a perspective view of the cantilever shelving in an alternative configuration for storage thereof. FIGS. 1-7 show features in broken lines. These features do not form any part of the claimed design. Further, any broken lines immediately adjacent the solid-line portions of the design form the boundary of the design, with the broken lines forming no part of the claimed design. The use of separations and brackets indicates that no particular length or width of the cantilever shelving is claimed.

1 Claim, 5 Drawing Sheets



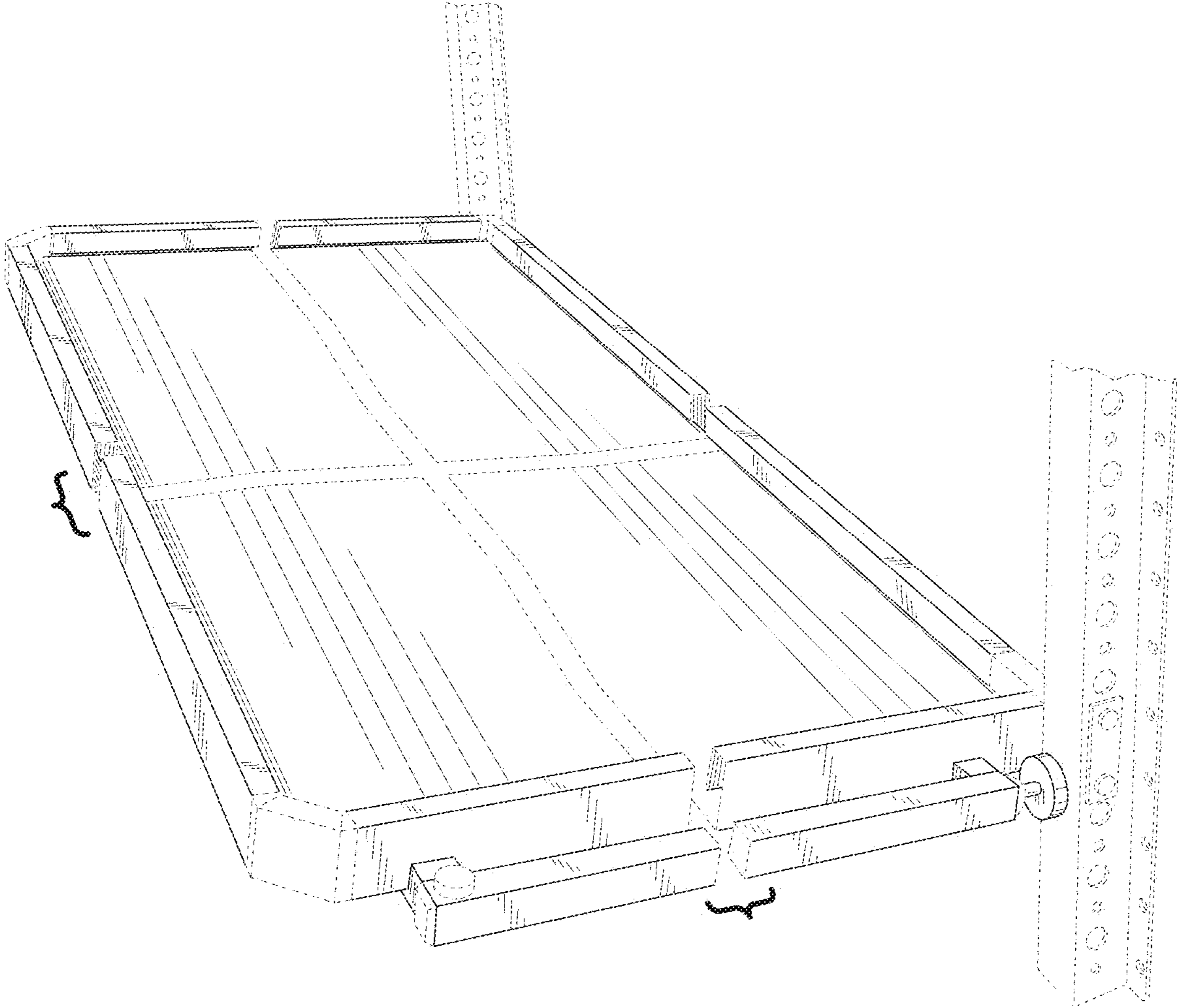


Fig. 1

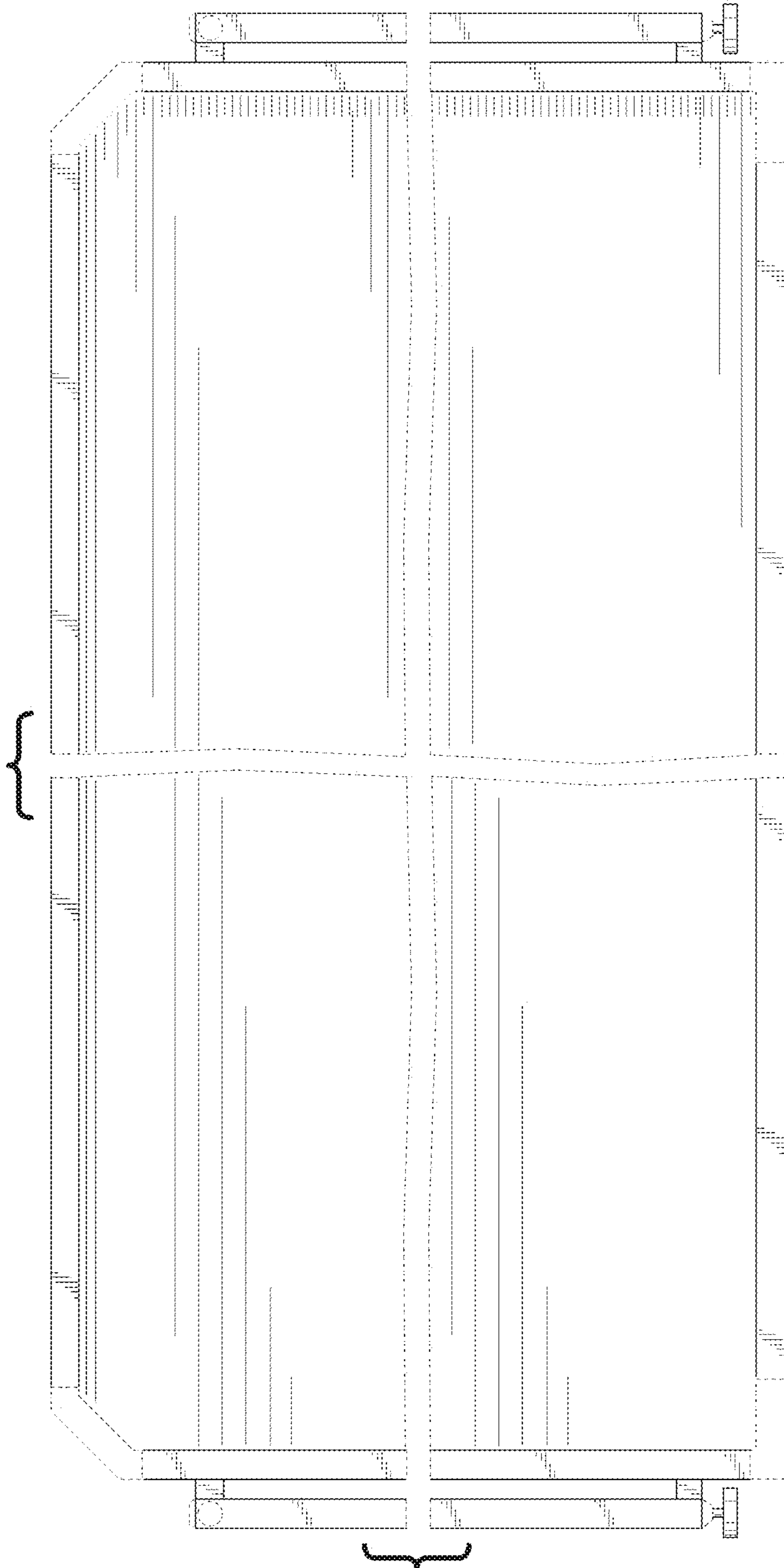


Fig. 2

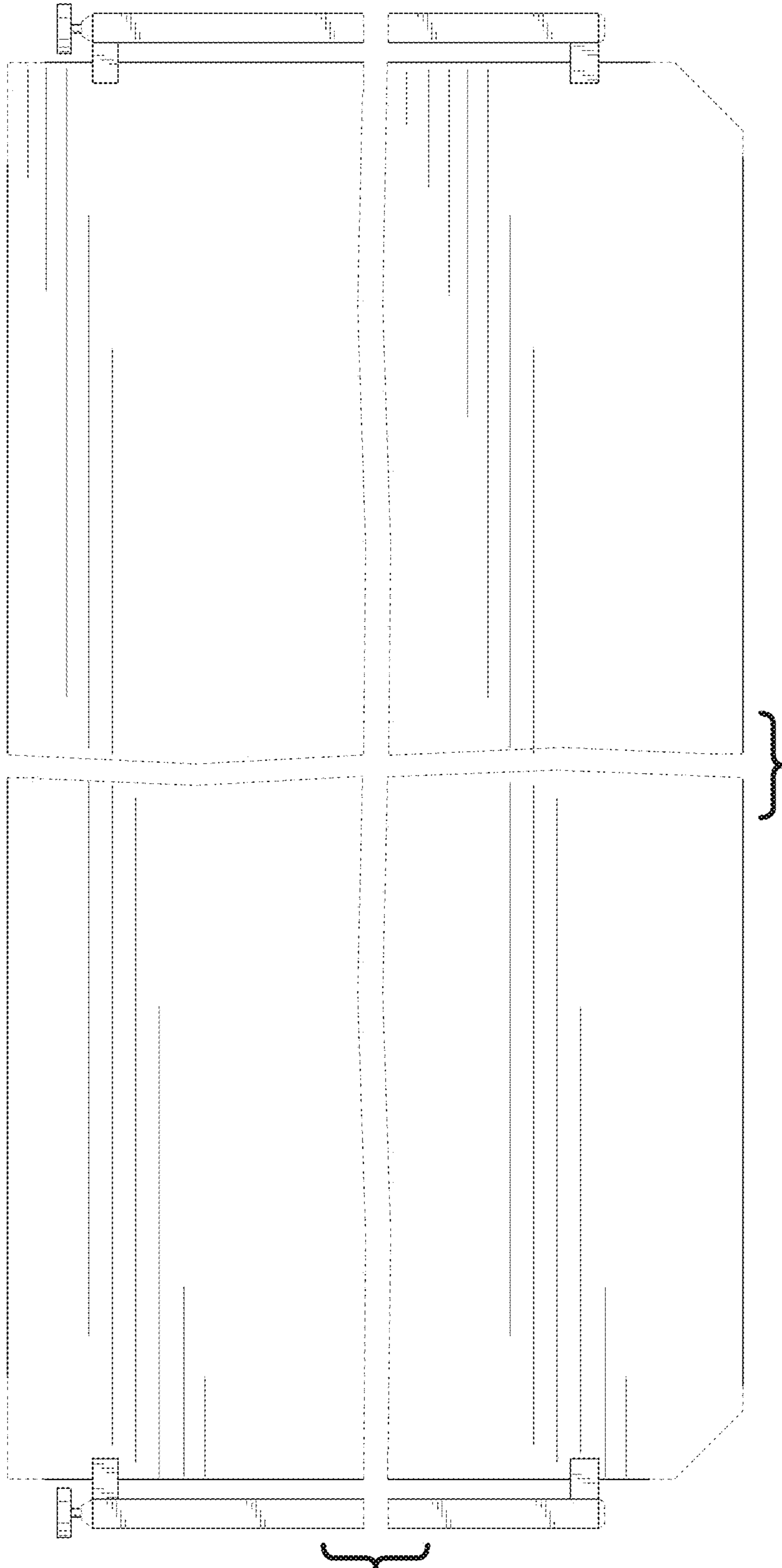


Fig. 3

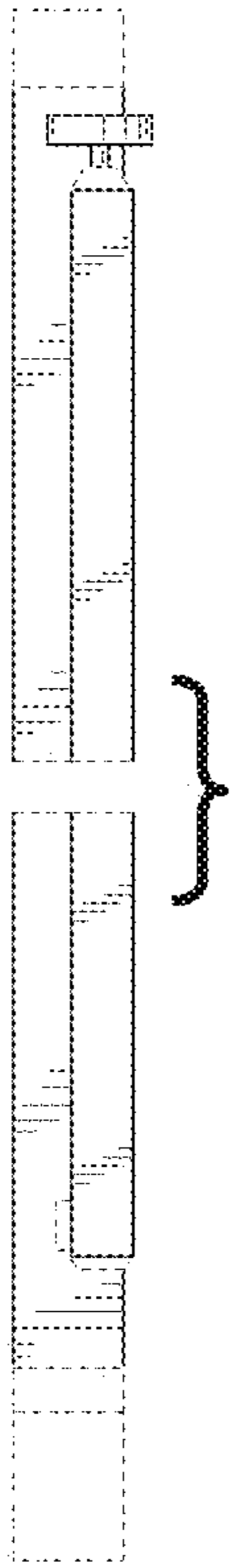


Fig. 4

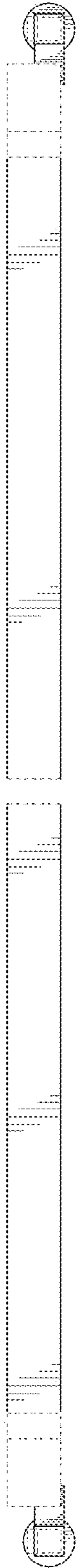


Fig. 5

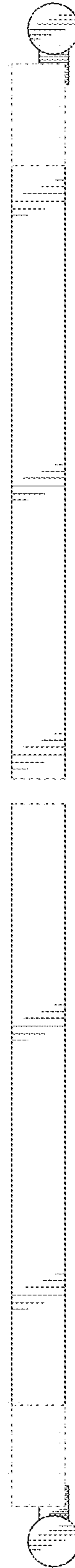


Fig. 6

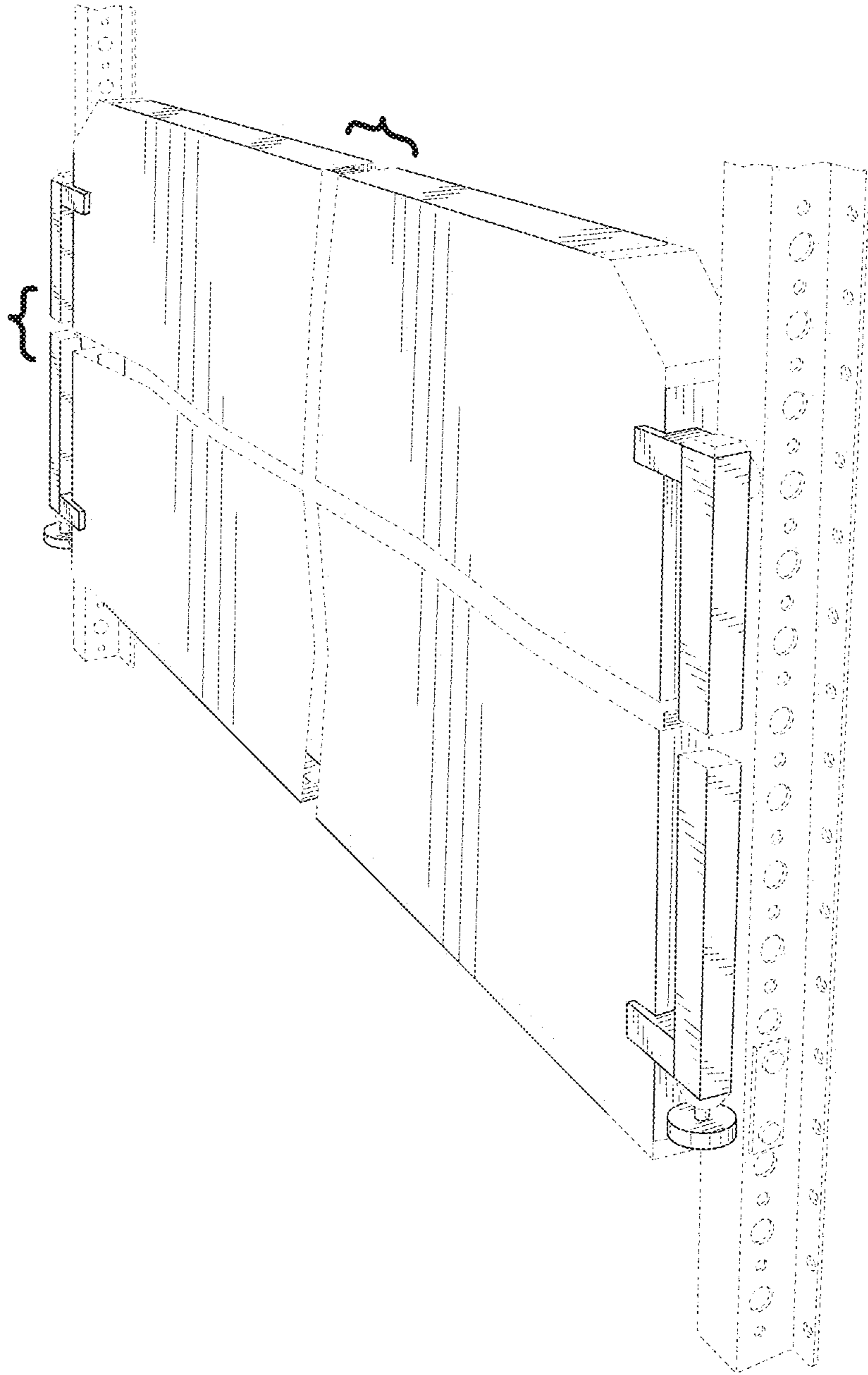


Fig. 7