



US00D916516S

(12) **United States Design Patent** (10) **Patent No.:** **US D916,516 S**
Glahe (45) **Date of Patent:** **** Apr. 20, 2021**

(54) **REMOVABLE SHELF**

(71) Applicant: **ABCR, Inc.**, Denver, CO (US)

(72) Inventor: **Charles D. Glahe**, Denver, CO (US)

(**) Term: **15 Years**

(21) Appl. No.: **29/661,233**

(22) Filed: **Aug. 25, 2018**

(51) **LOC (13) Cl.** **06-04**

(52) **U.S. Cl.**
USPC **D6/574**

(58) **Field of Classification Search**
USPC ... D6/574, 320-324, 562, 678.1, 705, 705.1,
D6/707.2; D7/698; D26/72; 108/28-29,
108/152; 211/13.1, 42, 86.01, 88.01,
211/90.01, 90.03, 126.1, 134, 153;
248/205.3, 235, 243, 247, 250
(Continued)

(56) **References Cited**

U.S. PATENT DOCUMENTS

2,084,953 A 6/1937 Gibson
2,943,138 A 6/1960 Reager
(Continued)

FOREIGN PATENT DOCUMENTS

CA 2 852 337 A1 11/2015
EP 1 174 962 A2 1/2002
(Continued)

OTHER PUBLICATIONS

The Original Outlet Wall Mount Hanger Stand for Home Voice Assistants No Messy Wires or Screws Dot Accessories, Wall Mount Stand Holder Stand Bracket for All-New Echo Dot 2nd Generation; 2018: https://www.amazon.com/dp/B0789CMLPR/ref=sspa_dk_

detail_3?psc=1&pd_rd_i=B0789CMLPR&pd_rd_wg=V6u7i&pd_rd_r=6KQ84C07SJQPHEZ221VN&pd_rd_w=byy4f.

(Continued)

Primary Examiner — Mark Booker

(74) *Attorney, Agent, or Firm* — Shifrin Patent Law; Dan Shifrin

(57) **CLAIM**

The ornamental design for a removable shelf, as substantially shown and described.

DESCRIPTION

The present application is related to commonly-owned U.S. Pat. No. 10,084,300 entitled Integrated Electrical Outlet Cover and Support for Voice-Controlled Assistants, Speakers, and Other Electronic Devices, filed on Feb. 2, 2018, and issued on Sep. 25, 2018, which patent is incorporated herein by reference in its entirety. The present application is also related to commonly-owned and co-pending U.S. application Ser. Nos. 16/112,705 entitled Brackets and Modules Attachable to Electrical Outlet and Switch Covers, and 29/661,232 entitled Removable Bracket both filed on the filing date hereof, which applications are incorporated herein by reference in their entireties.

FIG. 1 is a top front perspective view of the removable shelf of the present invention;

FIG. 2 is a bottom front perspective view thereof;

FIG. 3 is a top rear perspective view thereof;

FIG. 4 is a bottom rear perspective view thereof;

FIG. 5 is a top view thereof;

FIG. 6 is a bottom view thereof;

FIG. 7 is a front view thereof;

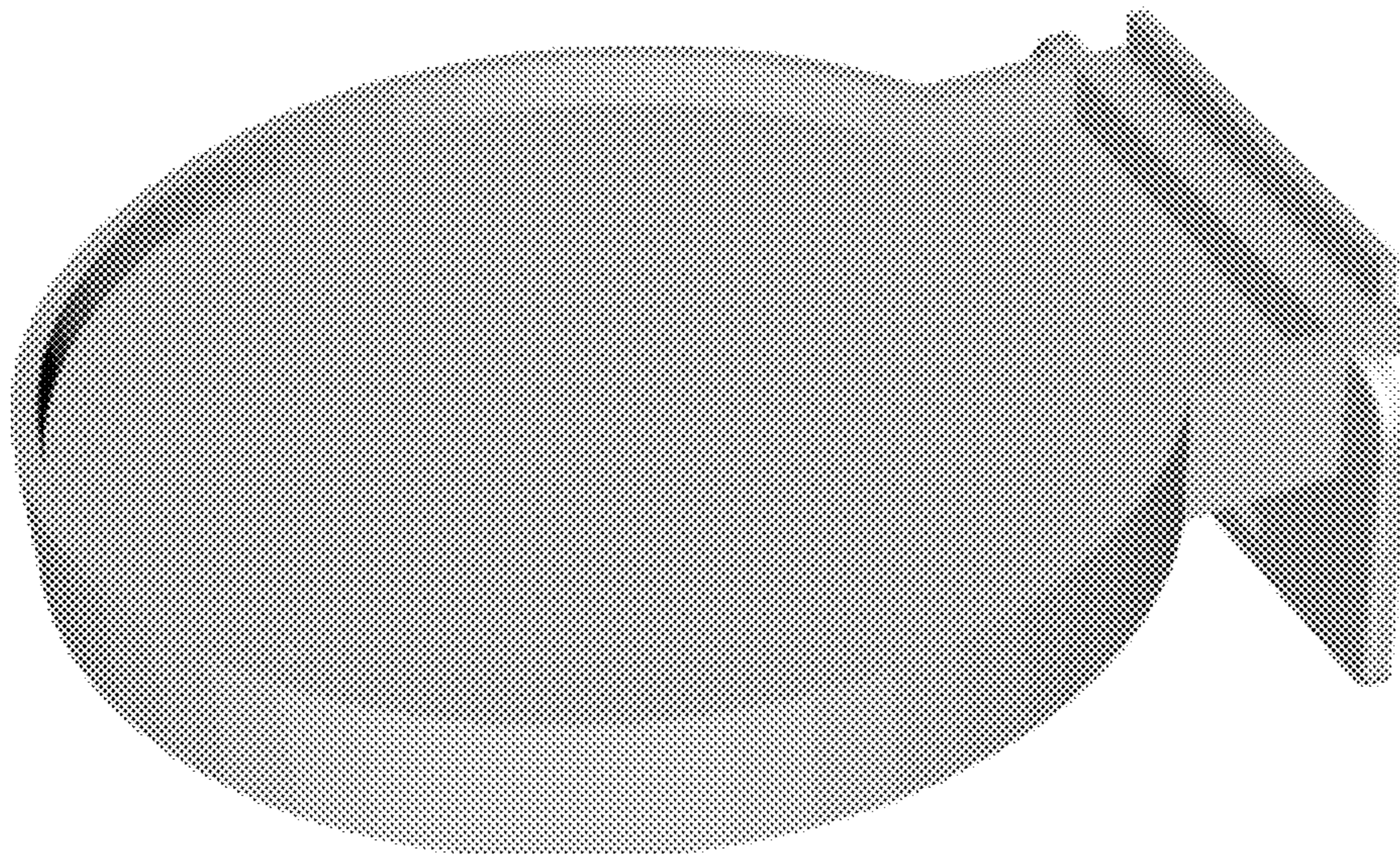
FIG. 8 is a rear view thereof;

FIG. 9 is a right side view thereof, the left side view being a mirror image thereof; and,

FIG. 10 is a front view thereof, attached to an electrical switch cover.

The broken lines shown represent environmental subject matter and form no part of the claimed design.

1 Claim, 5 Drawing Sheets



(58) **Field of Classification Search**

CPC A47B 43/00; A47B 43/04; A47B 47/0066;
A47B 47/04; A47B 63/00; A47B 69/00;
A47B 71/00

See application file for complete search history.

(56) **References Cited**

U.S. PATENT DOCUMENTS

3,113,996	A	12/1963	Sanford	
4,339,045	A	7/1982	Bodin	
4,566,666	A	1/1986	Meska et al.	
4,921,444	A	5/1990	Cama	
D366,799	S *	2/1996	Curtin	D6/574
D403,546	S *	1/1999	Moon	D6/574
D409,034	S *	5/1999	Moon	D6/574
6,130,384	A	10/2000	Esteves et al.	
D443,165	S *	6/2001	Petri	D6/574
6,576,837	B1	6/2003	Pimentel	
D485,718	S *	1/2004	Boron	D6/707.2
6,969,803	B1	11/2005	Friedberg	
7,067,737	B2	6/2006	Mallen	
7,230,181	B2	6/2007	Simmons et al.	
D617,173	S	6/2010	Anzalone et al.	
7,812,257	B2	10/2010	Gunderman et al.	
D671,806	S *	12/2012	Kaufmann	D7/698
9,065,263	B2	6/2015	Porcano	
D750,466	S	3/2016	McCoy et al.	
9,551,454	B2	1/2017	Lipke et al.	
D814,219	S *	4/2018	Clayton	D6/705.1
2008/0272258	A1	11/2008	Wysoczynski	
2011/0132634	A1	6/2011	Fetzer-Westmeister	
2015/0129722	A1	5/2015	Green	
2015/0281815	A1	10/2015	Rip et al.	
2015/0340826	A1	11/2015	Chien	
2017/0055705	A1	3/2017	Ritch	

FOREIGN PATENT DOCUMENTS

GB	2487897	8/2012
GB	2502271	11/2013
WO	20161019047 A1	2/2016

OTHER PUBLICATIONS

EchoGear Outlet Shelf; 2018: https://www.amazon.com/ECHOGEAR-Outlet-Shelf-Space-Saving-Built/dp/B06XPJP32R/ref=pd_sim_196_2?_encoding=UTF8&pd_rd_i=B06XPJP32R&pd_rd_r=6KQ84C07SJQPHEZ221VN&pd_rd_w=0uVvg&pd_rd_wg=V6u7i&psc=1&refRID=6KQ84C07SJQPHEZ221VN.

CloverTale Home Outlet Wall Mount Holder for Alexa Echo Dot, Bose, Anker, Home Mini round speakers; 2018: https://www.amazon.com/CloverTale-Outlet-Holder-speakers-Accessories/dp/B0769D6G65/ref=pd_sbs_485_5?_encoding=UTF8&pd_rd_i=B0769D6G65&pd_rd_r=JHMGWEHMT0YSBHHMKV5Q&pd_rd_w=VOyrr&pd_rd_wg=qSCIX&psc=1&refRID=JHMGWEHMT0YSBHHMKV5Q.

CloverTale Outlet Wall Mount Holder Stand for Alexa Echo Dot, Home Mini by Google Round Speaker Accessories; 2018: https://www.amazon.com/dp/B078PGZVBM/ref=sspa_dk_detail_3?psc=1&pd_rd_i=B078PGZVBM&pd_rd_wg=2ZOSc&pd_rd_r=GQBB6416M5AA82T0Z6KJ&pd_rd_w=37tEg.

Outlet Wall Mount Hanger Stand Bracket for Amazon Echo Dot 2nd Without Mess Wires or Screws, Dot Accessories, Compact Holder Case Plug in Kitchens, Bathroom and Bedroom; 2018: https://www.amazon.com/Bracket-Without-Accessories-Kitchens-Bathroom/dp/B0763TW3B7/ref=sr_1_5?s=home-garden&ie=UTF8&qid=1517341839&sr=1-5&keywords=echo+dot+stands.

This Dottie—Plug-in Mount—Amazon Echo Dot 2nd Generation Accessory; 2018: https://www.amazon.com/This-Dottie-Plug-Generation-Engineered/dp/B074NVNKNF/ref=pd_sim_485_14?_encoding=UTF8&pd_rd_i=B074NVNKNF&pd_rd_r=P0SSHN3P7B9C86EW8JV1&pd_rd_w=tITf1&pd_rd_wg=TKTTC&psc=1&refRID=P0SSHN3P7B9C86EW8JV1.

The Mini Back Pack: The First Simplest and Cleanest High-End Outlet Wall Mount Hanger Stand for Home Mini Voice Assistants by Google; 2018: https://www.amazon.com/Mini-Back-Pack-Simplest-Assistants/dp/B078JZFBBK/ref=pd_sbs_196_1?_encoding=UTF8&pd_rd_i=B078JZFBBK&pd_rd_r=9WSH8VGPEBGBYNBPK31N&pd_rd_w=4WIDF&pd_rd_wg=t25SE&psc=1&refRID=9WSH8VGPEBGBYNBPK31N.

* cited by examiner

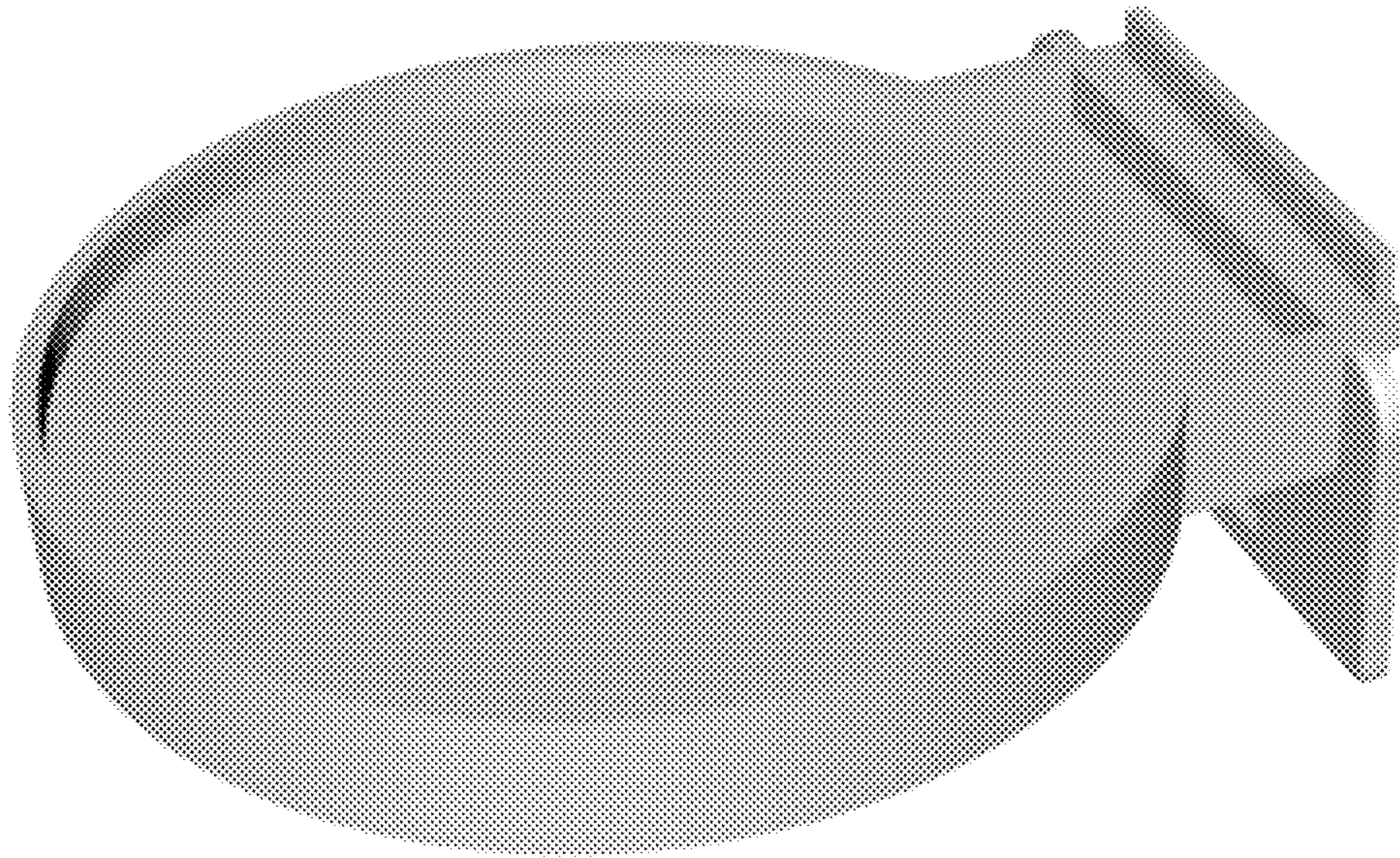


FIG. 1

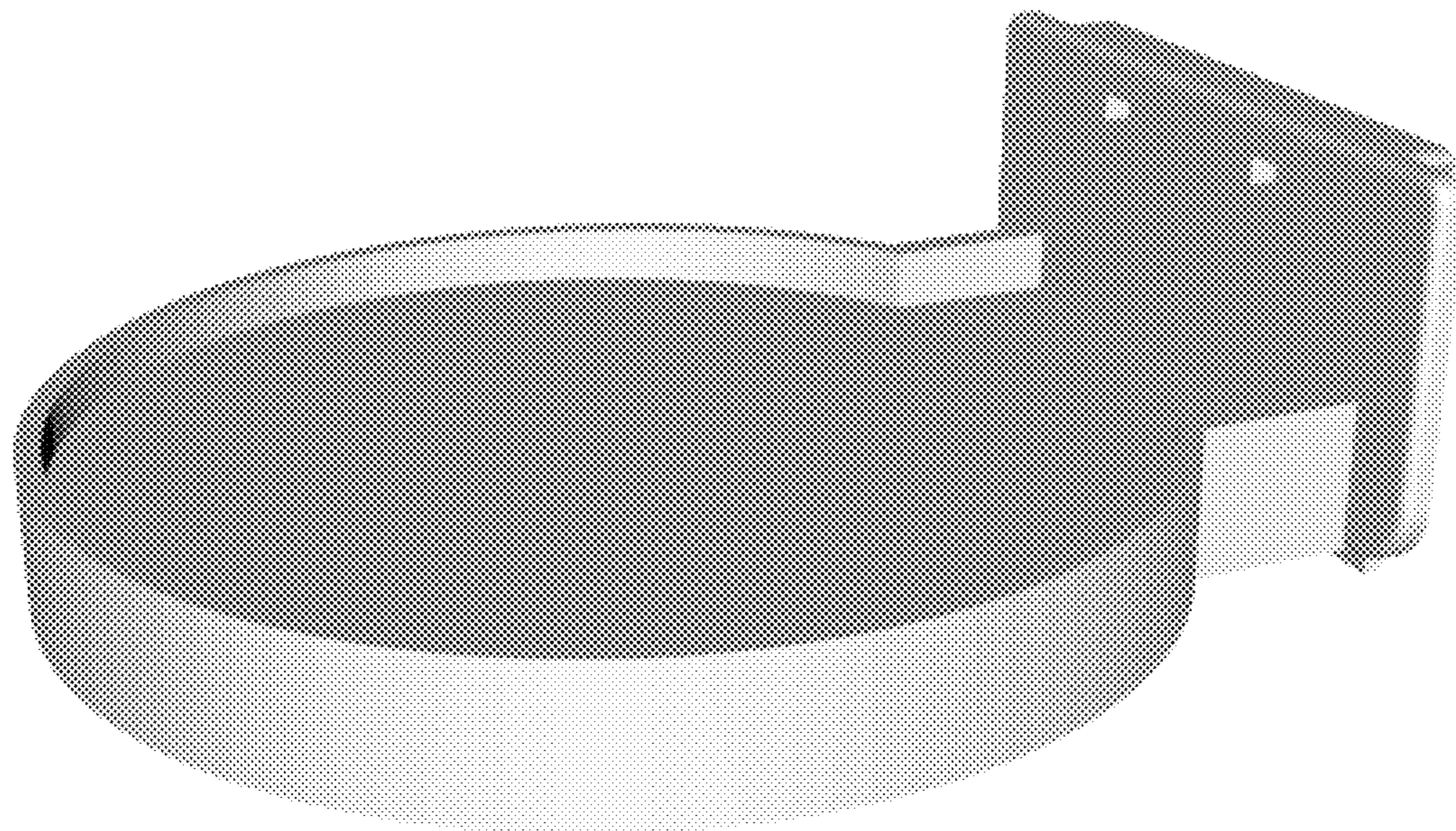


FIG. 2

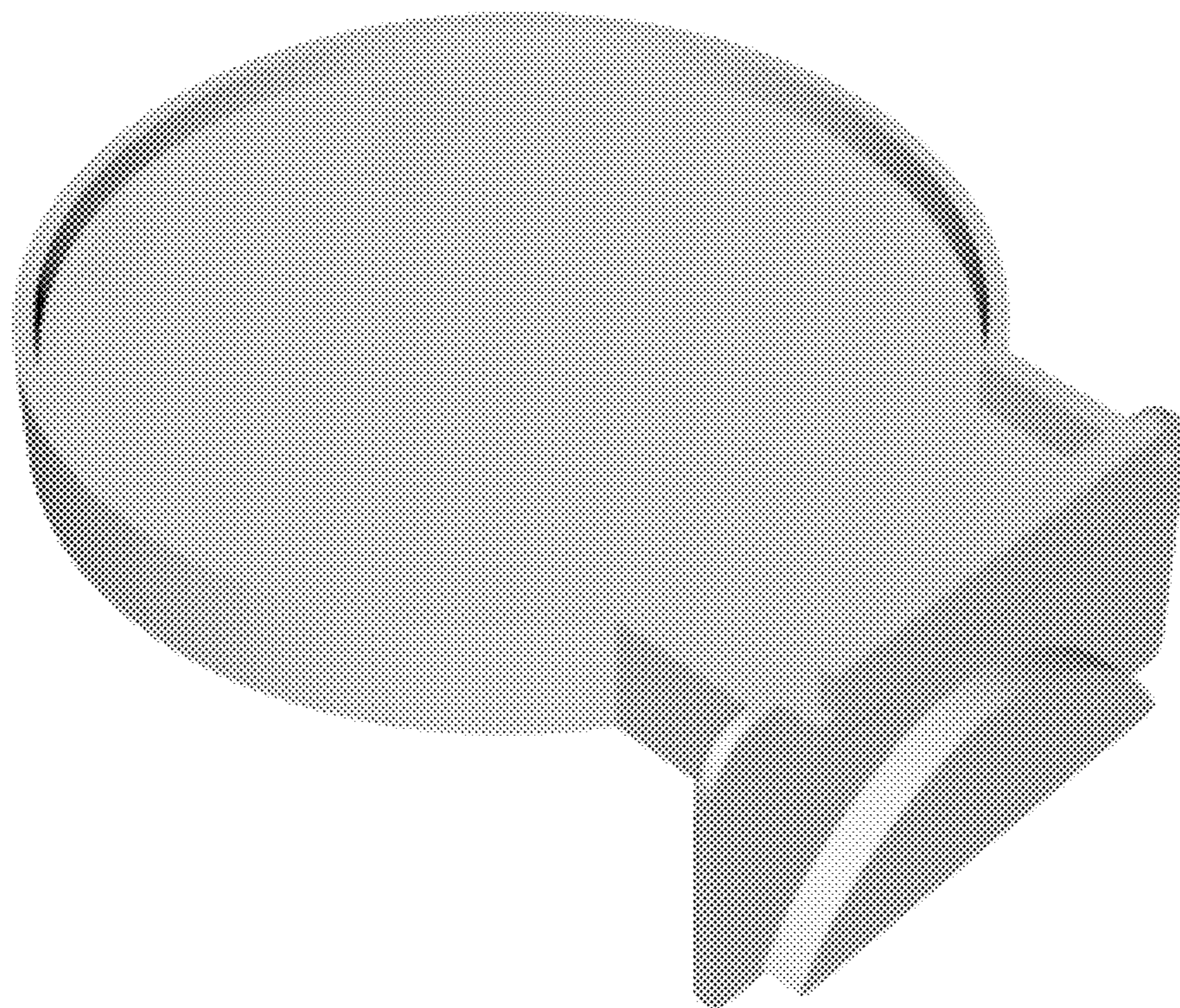


FIG. 3

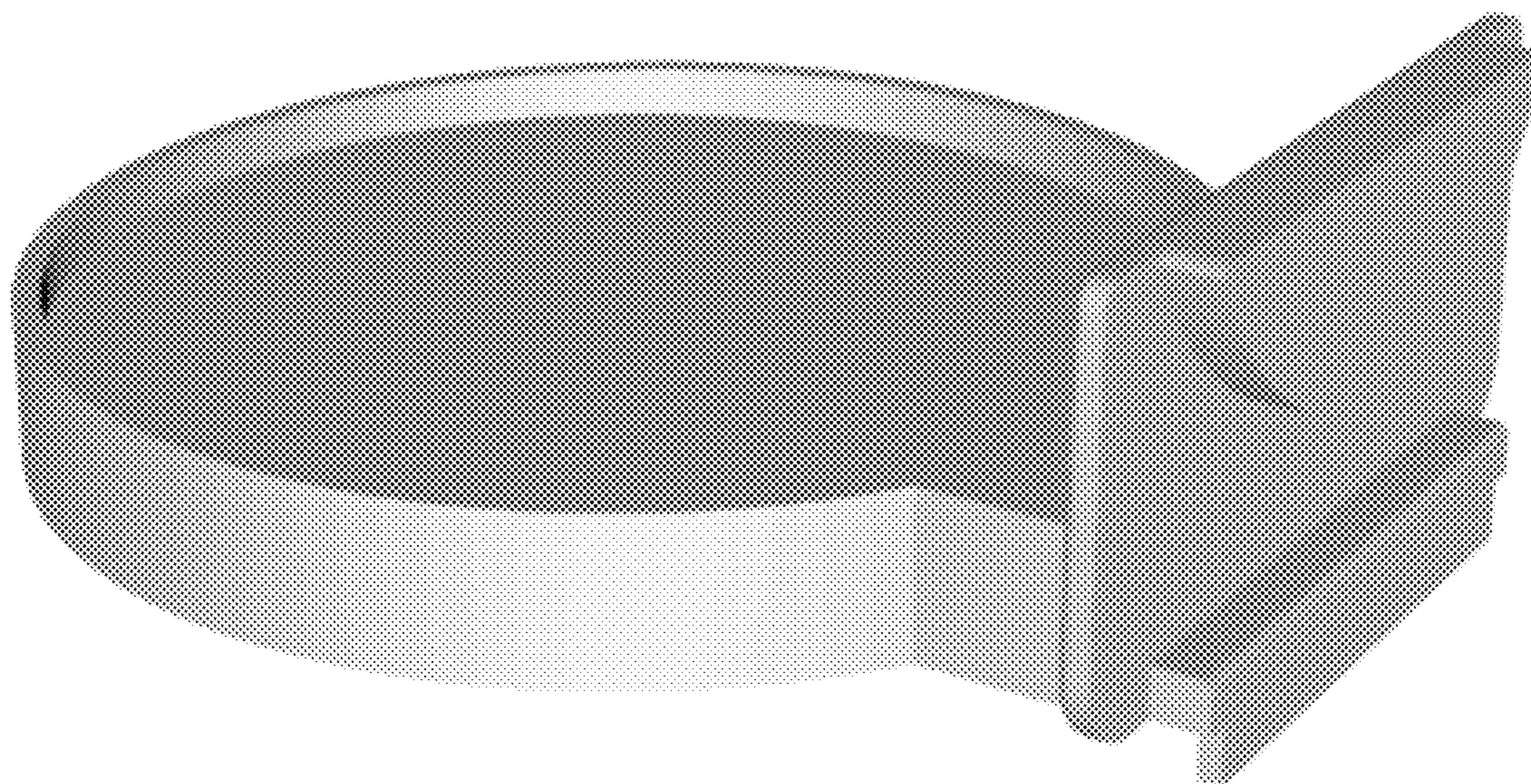


FIG. 4

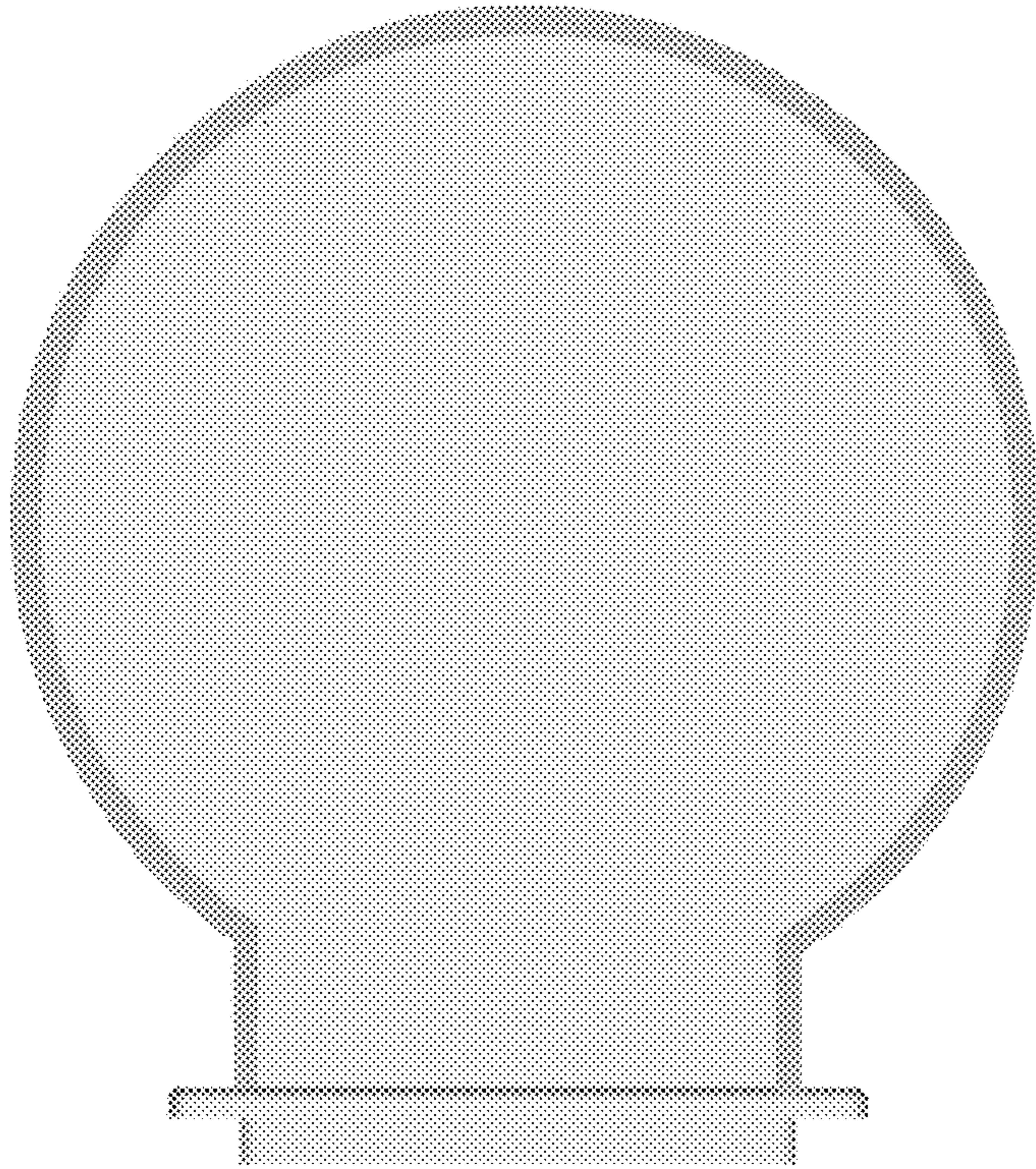


FIG. 5

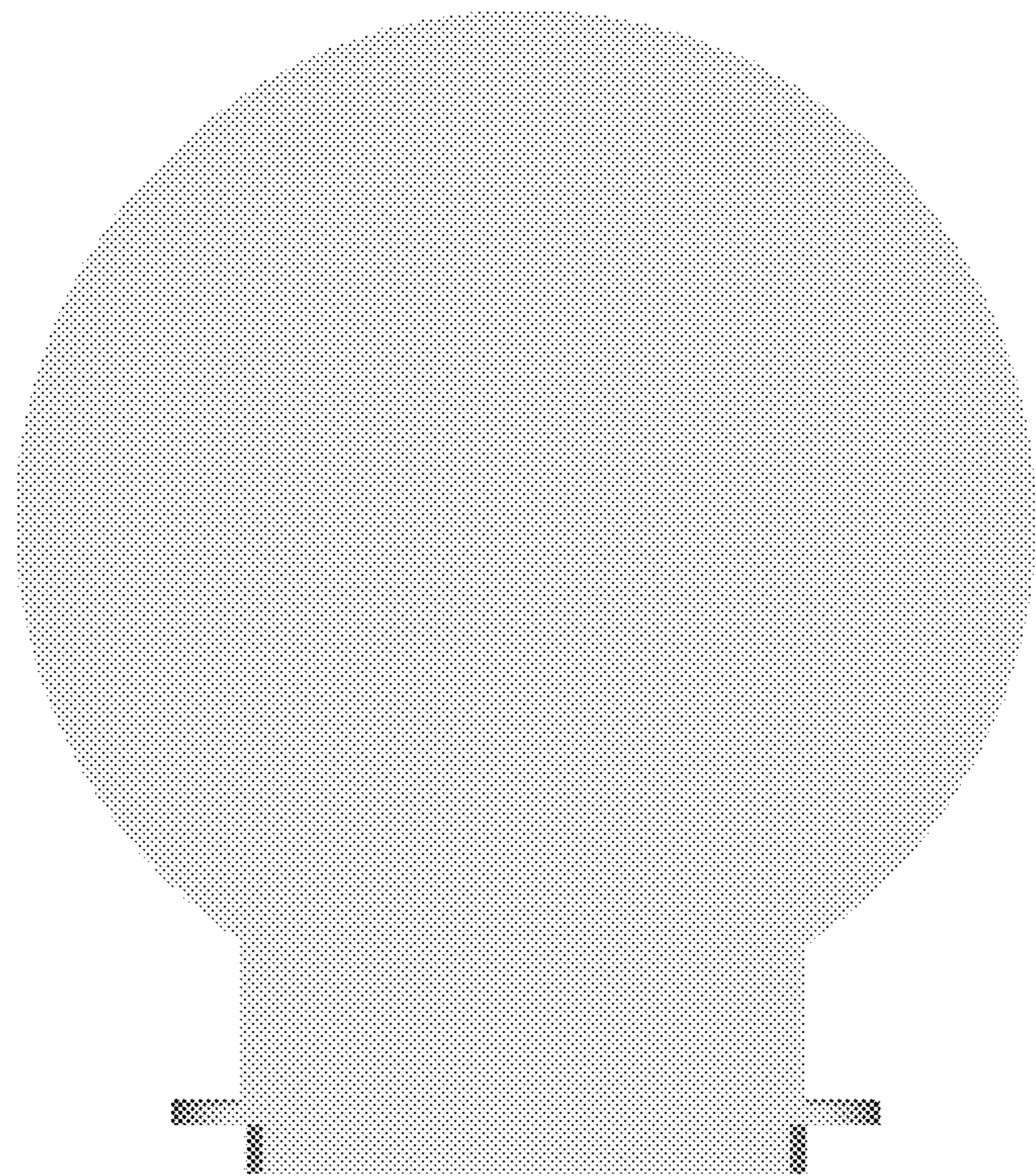


FIG. 6

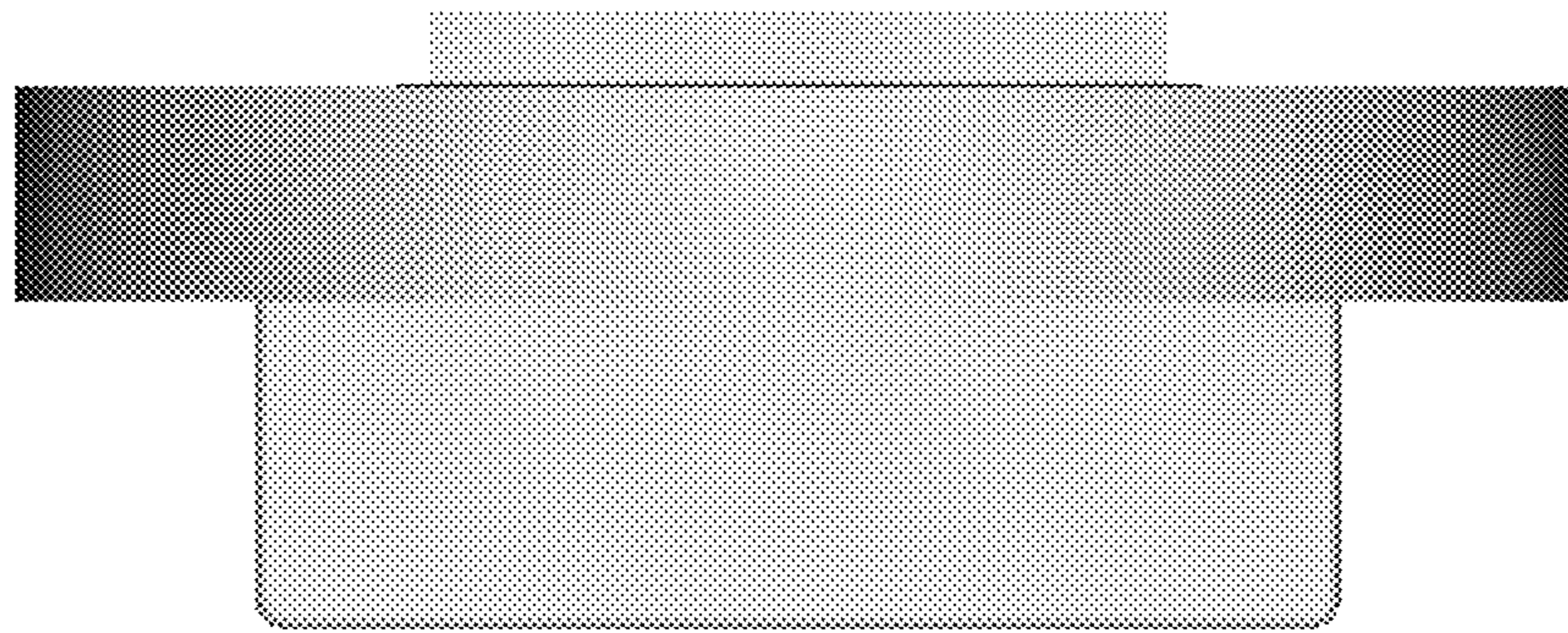


FIG. 7

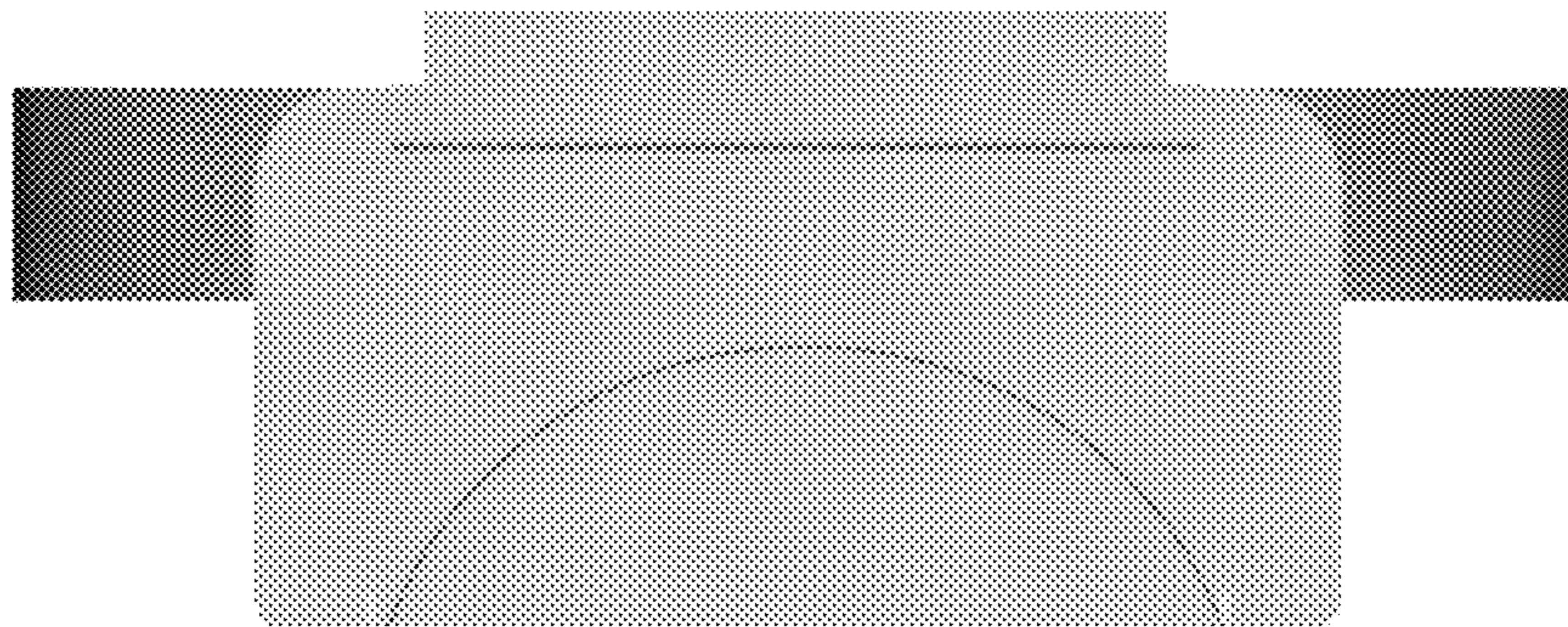


FIG. 8

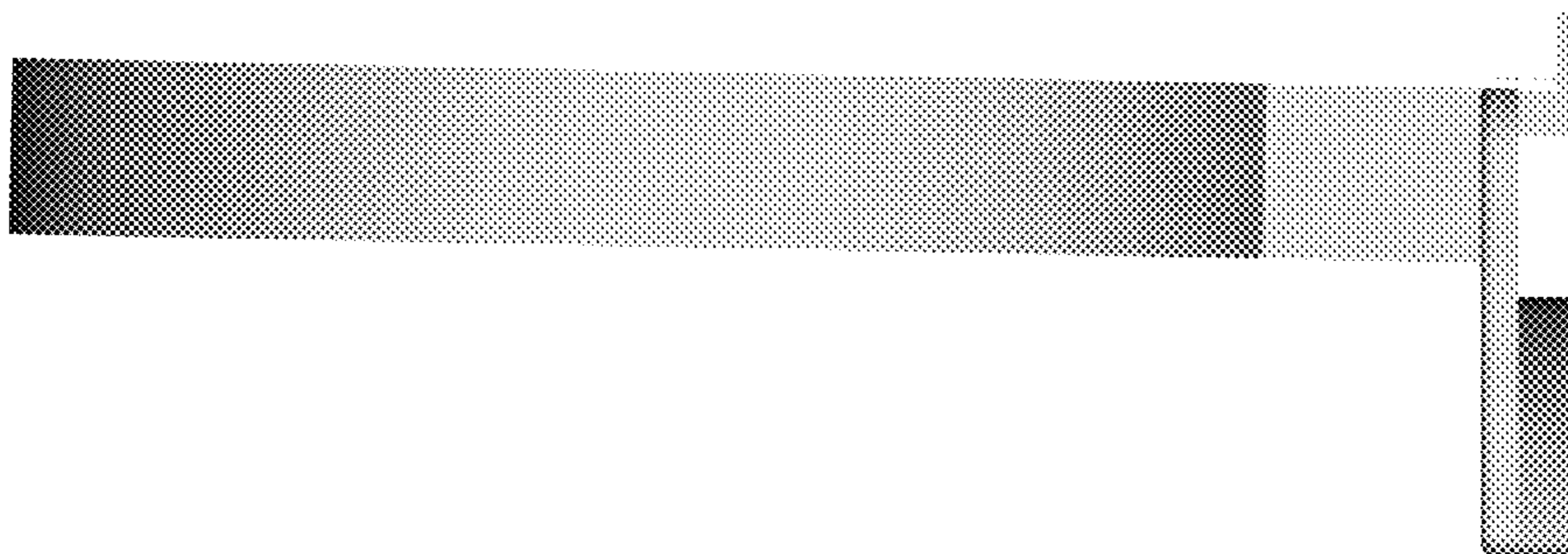


FIG. 9

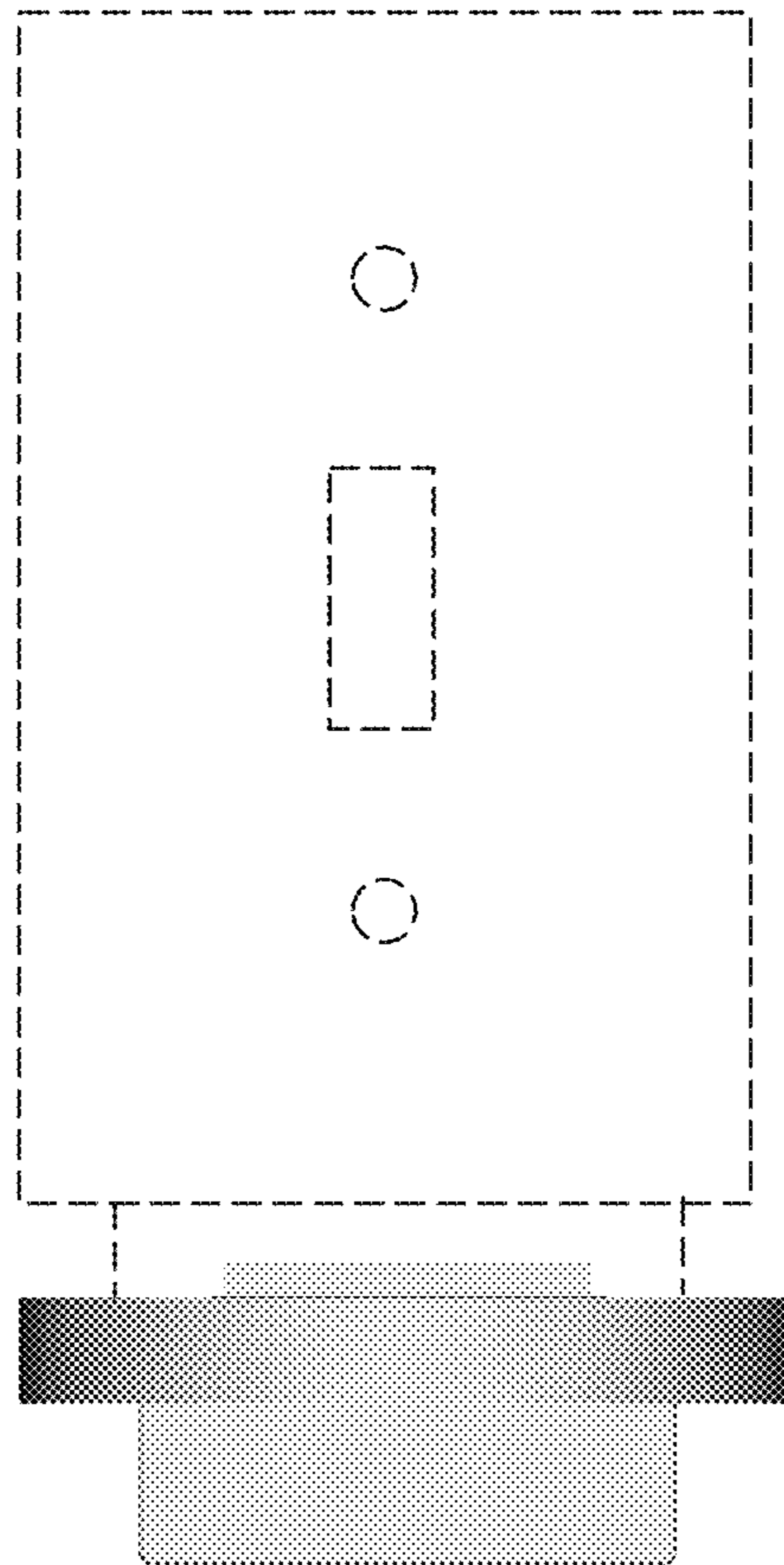


FIG. 10