



US00D916512S

(12) **United States Design Patent**
Tang

(10) **Patent No.:** **US D916,512 S**

(45) **Date of Patent:** **** Apr. 20, 2021**

(54) **SPONGE HOLDER**

(71) Applicant: **Weidong Tang**, Guangdong (CN)

(72) Inventor: **Weidong Tang**, Guangdong (CN)

(**) Term: **15 Years**

(21) Appl. No.: **29/691,235**

(22) Filed: **May 15, 2019**

(51) **LOC (13) Cl.** **06-04**

(52) **U.S. Cl.**
USPC **D6/566**

(58) **Field of Classification Search**

USPC D6/566, 553, 524, 525, 536, 537, 540,
D6/567, 320, 561; D3/306; D7/637;
D32/55-56; 211/13.1, 74, 71.01, 86.01,
211/75, 88.01, 90.01, 90.03, 106, 119,
211/126.1, 133.5, 181.1, 134, 87.01;
248/206.2-206.3

CPC .. B23P 17/04; A47K 1/09; A47K 1/08; A47K
3/281; F16B 47/00

See application file for complete search history.

(56) **References Cited**

U.S. PATENT DOCUMENTS

D389,660 S * 1/1998 Jouett D6/361
D453,651 S * 2/2002 Snell D6/537

D532,234 S * 11/2006 Snell D6/567
D668,496 S * 10/2012 Ho D6/553
D675,049 S * 1/2013 Goodman D6/566
D699,973 S * 2/2014 Pan D6/553
D762,397 S * 8/2016 Goodman D6/566
D779,231 S * 2/2017 Pan D6/566
D779,232 S * 2/2017 Pan D6/566

* cited by examiner

Primary Examiner — Mark Booker

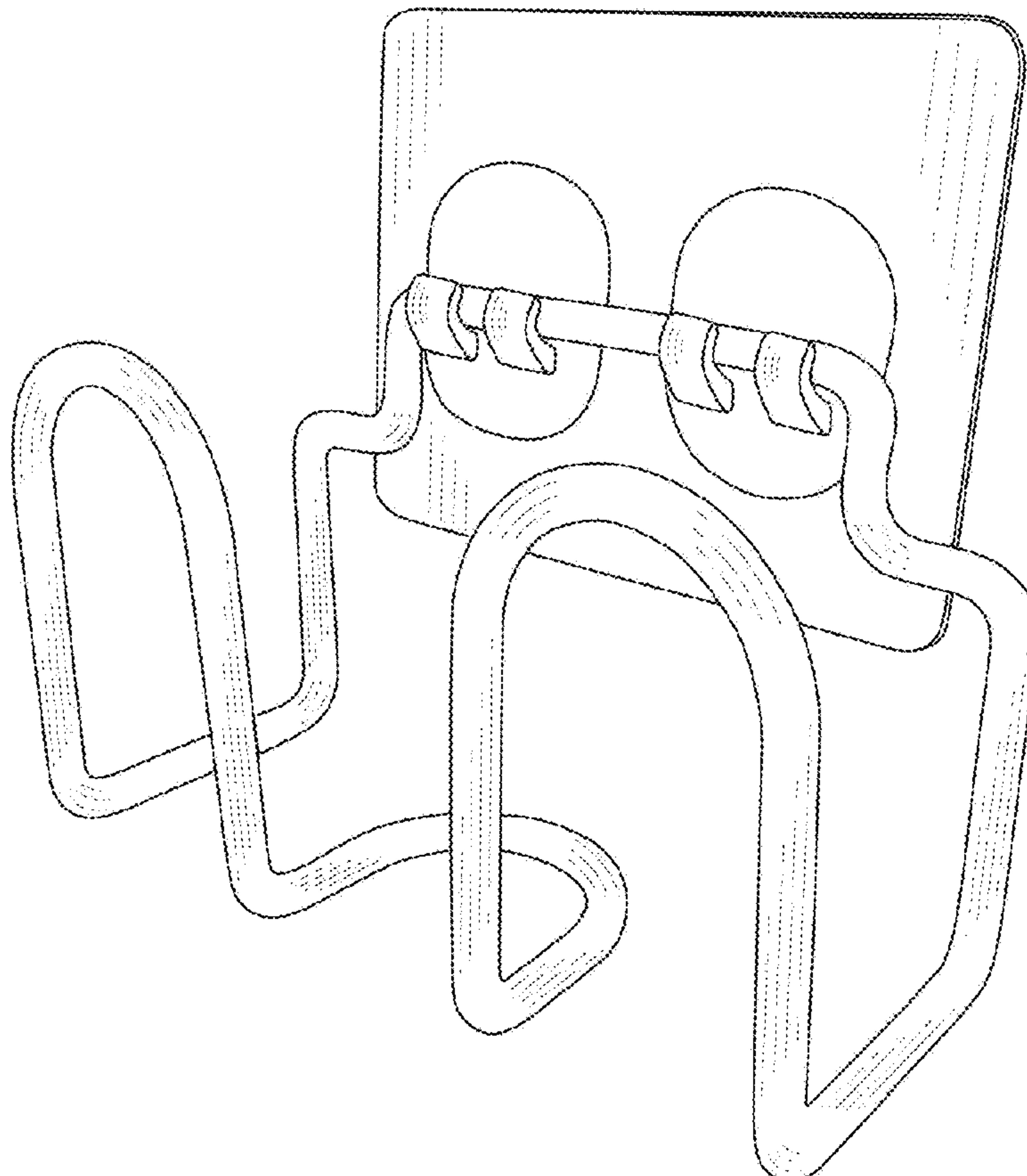
(57) **CLAIM**

I claim the ornamental design for the sponge holder, as shown and described.

DESCRIPTION

FIG. 1 is a perspective view of a sponge holder showing my new design;
FIG. 2 is a front elevational view thereof;
FIG. 3 is a rear elevational view thereof;
FIG. 4 is a left side elevational view thereof;
FIG. 5 is a right side elevational view thereof;
FIG. 6 is a top plan view thereof; and,
FIG. 7 is a bottom plan view thereof.

1 Claim, 7 Drawing Sheets



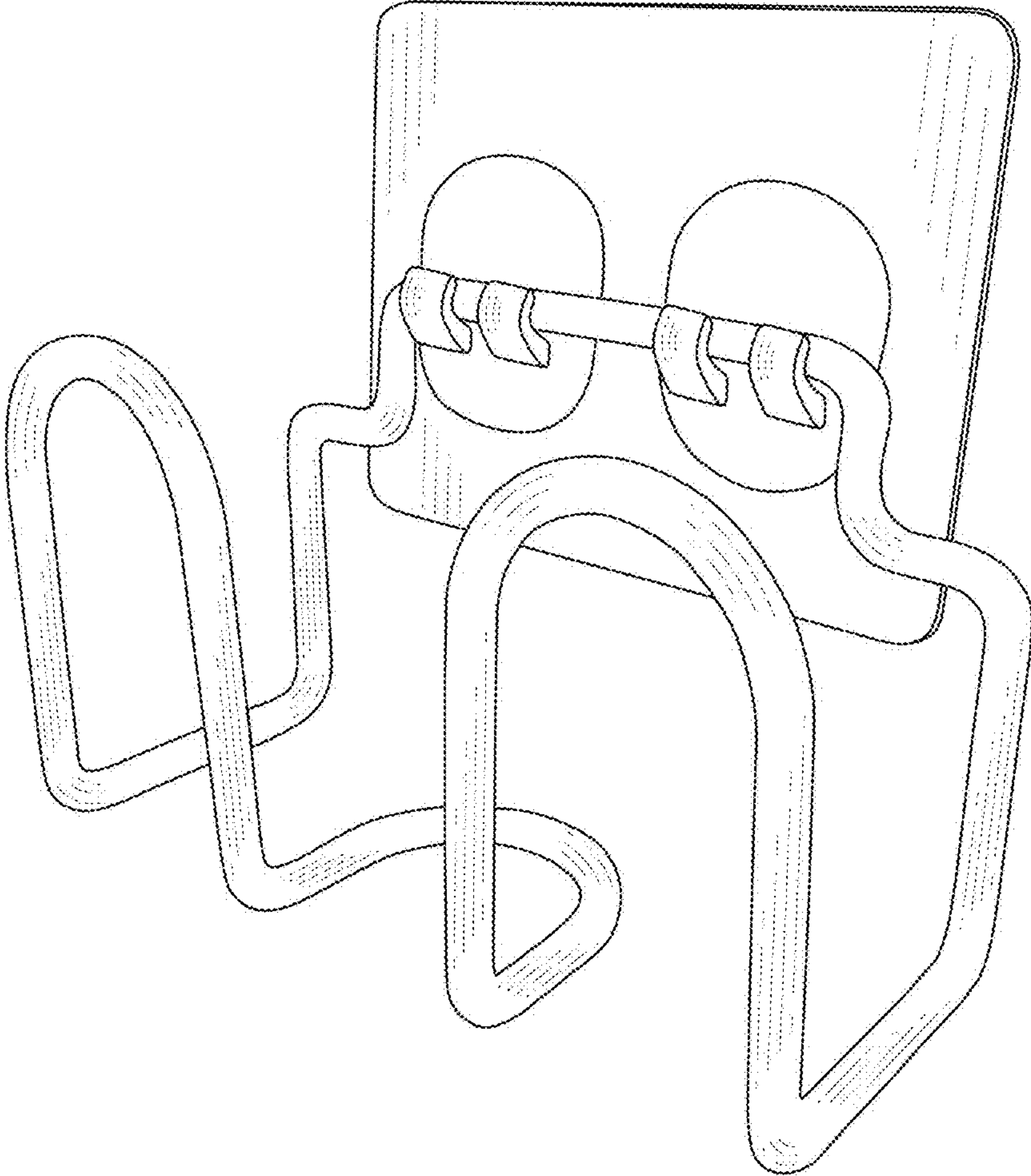


FIG. 1

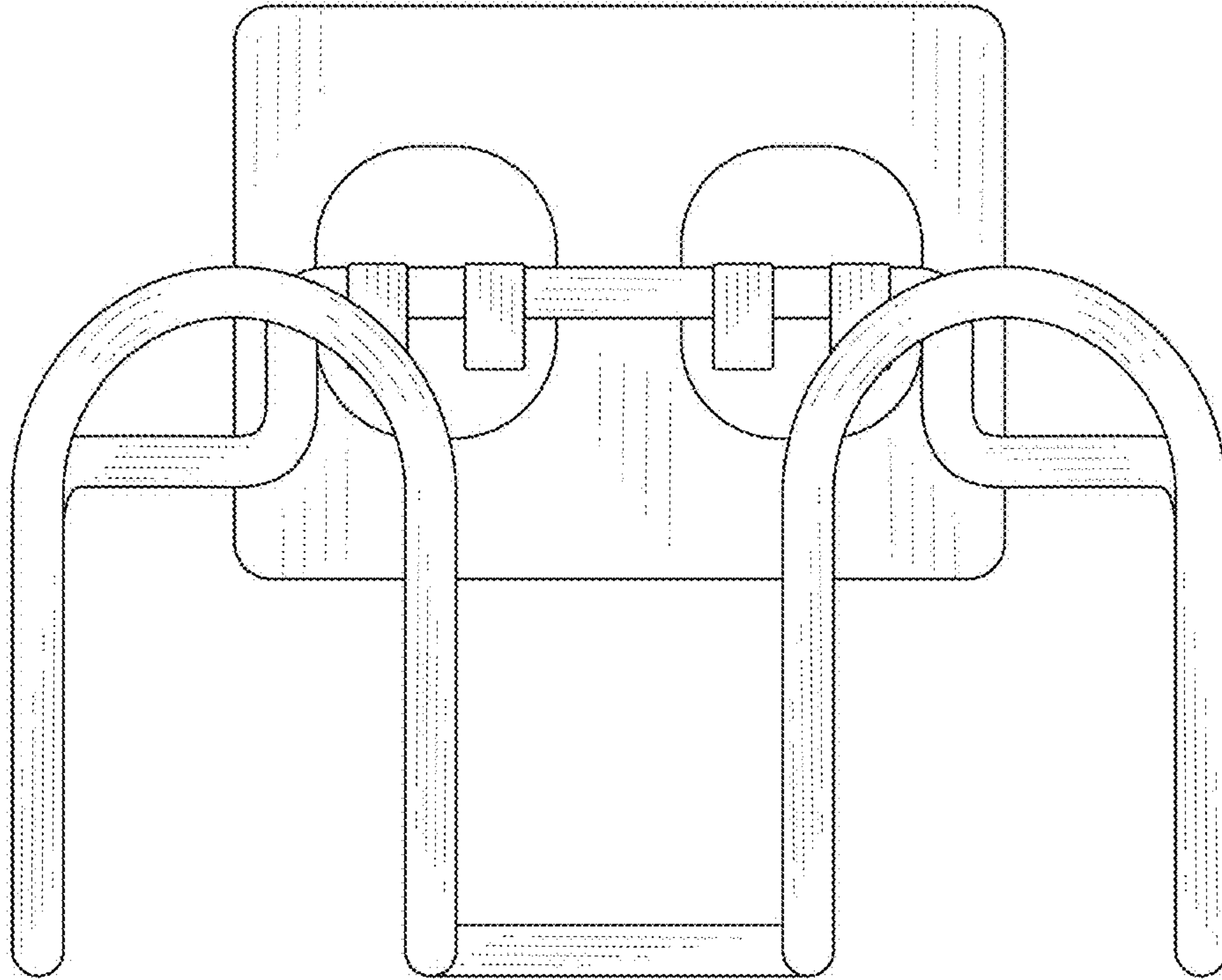


FIG. 2

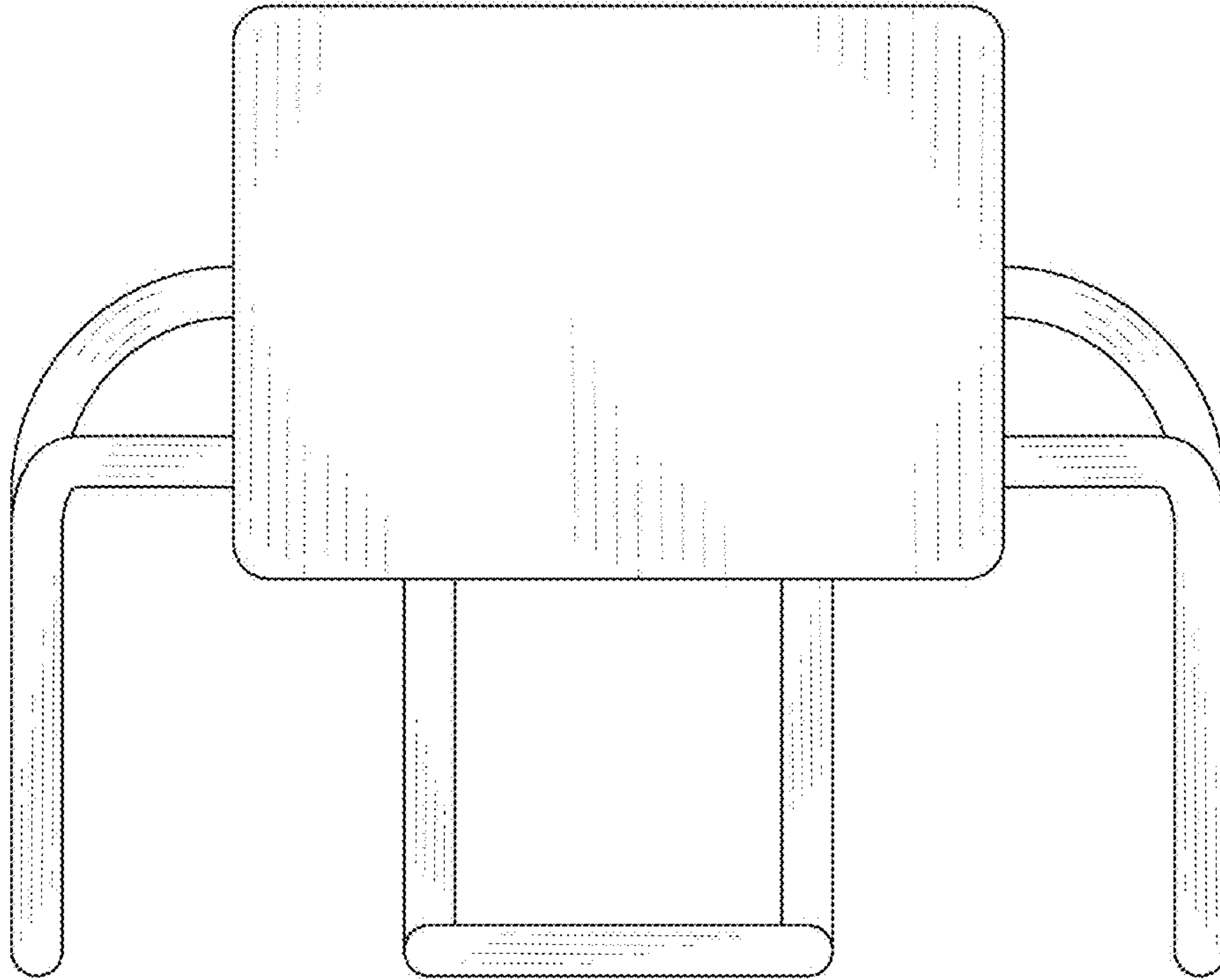


FIG. 3

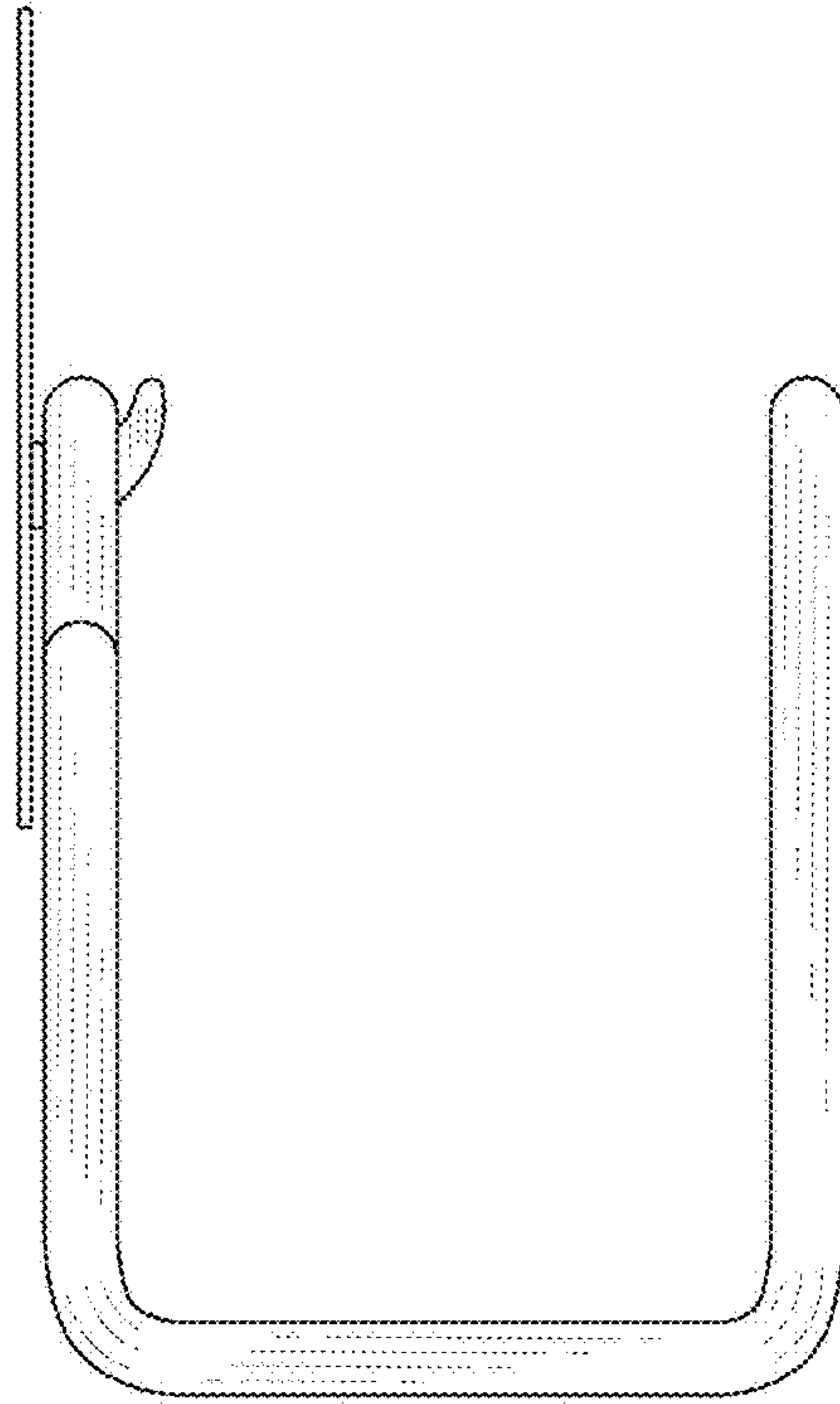


FIG. 4

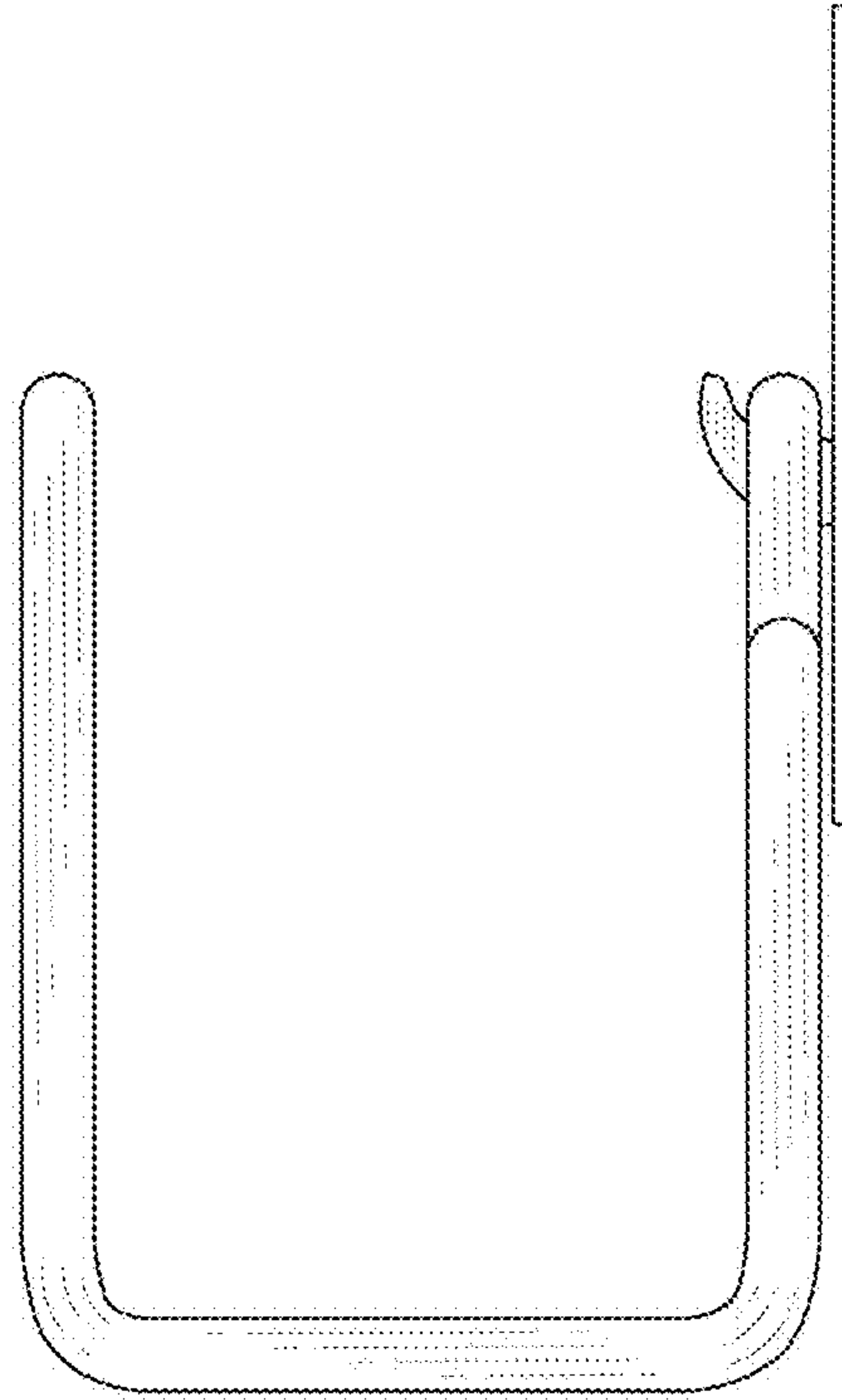


FIG. 5

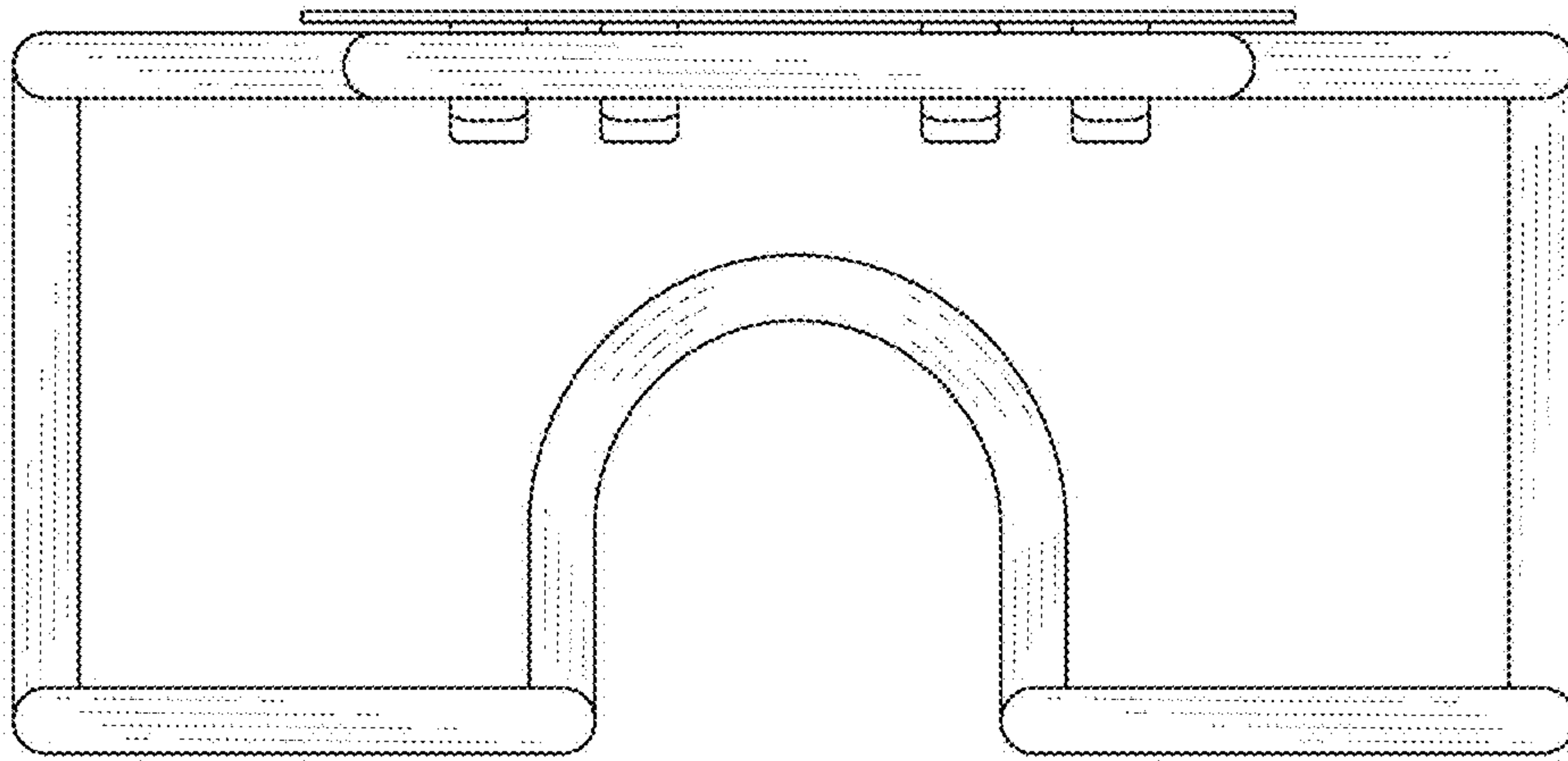


FIG. 6

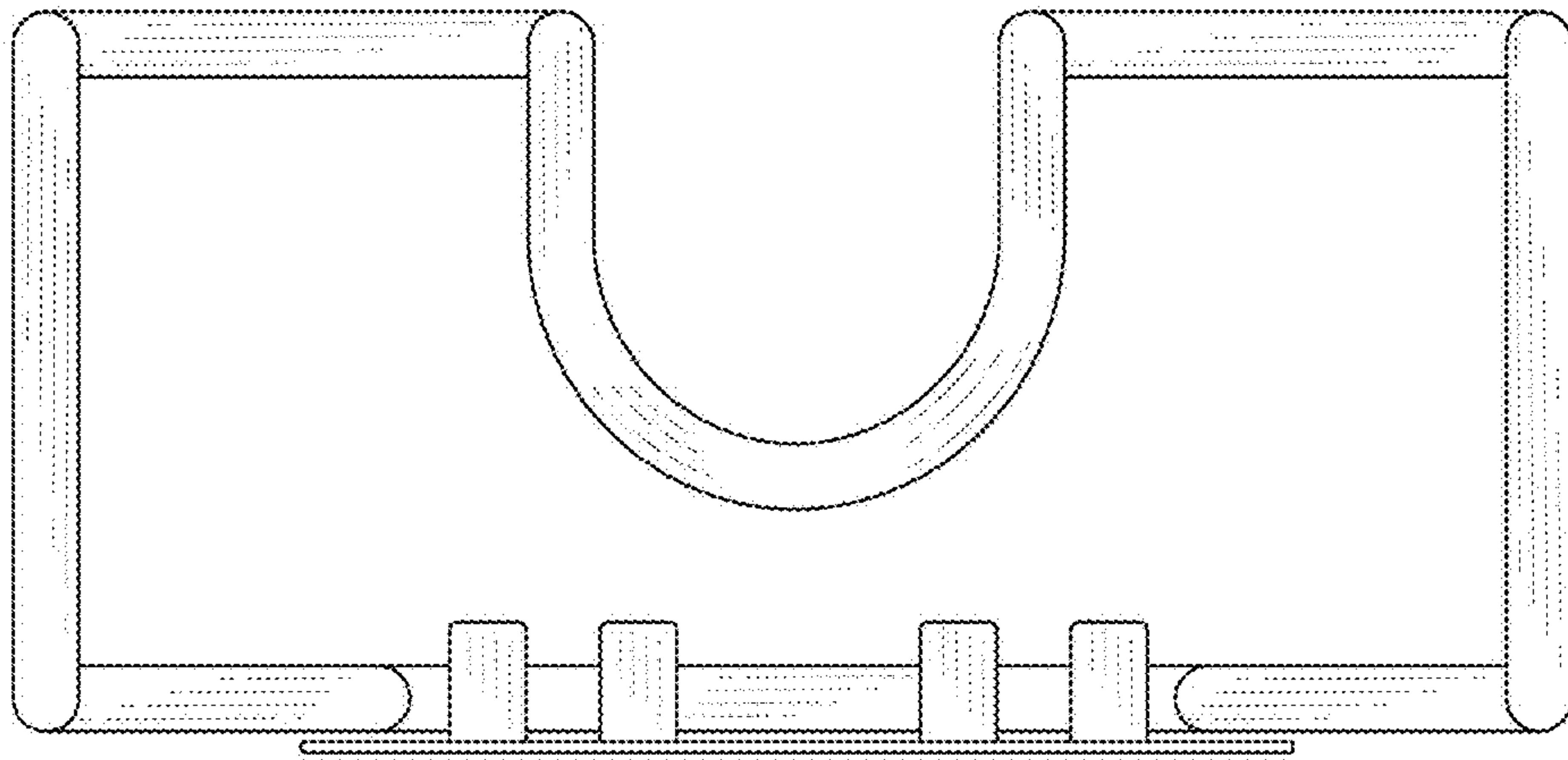


FIG. 7