



US00D916510S

(12) **United States Design Patent**  
**Chiang**

(10) **Patent No.:** **US D916,510 S**

(45) **Date of Patent:** **\*\* Apr. 20, 2021**

(54) **CERAMIC WALL HANGING PLANTAR BOX**

(71) Applicant: **My Gift Enterprise, LLC,**  
Woodinville, WA (US)

(72) Inventor: **Cliff Chiang,** Woodinville, WA (US)

(\*\*) Term: **15 Years**

(21) Appl. No.: **29/675,256**

(22) Filed: **Dec. 29, 2018**

(51) **LOC (13) Cl.** ..... **11-02**

(52) **U.S. Cl.**  
USPC ..... **D6/556**

(58) **Field of Classification Search**  
USPC ..... D6/556, 558; D8/403-405, 1, 499;  
D11/143-149, 150-156, 164; D25/100;  
D26/9-11, 16, 19; D34/1, 2, 4, 5, 6;  
D99/5, 19; 47/17, 32.4, 32.5, 33, 39,  
47/41.01, 41.1, 41.11-41.15, 44, 45, 46,  
47/47, 65, 65.5, 65.9, 66.1, 66.6, 66.7,  
47/67-71, 83, 65.7; 206/423  
CPC ..... A01G 9/025; Y02P 60/244; E02D 29/025;  
E02D 29/0216; E02D 29/0266; E04C  
1/395; E04B 2002/025  
See application file for complete search history.

(56) **References Cited**

**U.S. PATENT DOCUMENTS**

D366,450 S \* 1/1996 Rabito ..... D11/155  
D468,663 S \* 1/2003 Fan ..... D11/156

D614,992 S \* 5/2010 DiPaolo ..... D11/156  
D689,300 S \* 9/2013 MacKenzie ..... D6/556  
D689,302 S \* 9/2013 MacKenzie ..... D6/558  
D693,268 S \* 11/2013 Ness ..... D11/156  
D891,982 S \* 8/2020 Hargins ..... D11/155  
2012/0080343 A1\* 4/2012 Gretz ..... A01G 9/02  
206/423  
2012/0117870 A1\* 5/2012 Ness ..... A01G 9/02  
47/65.7

\* cited by examiner

*Primary Examiner* — Mark Booker

(74) *Attorney, Agent, or Firm* — Dean A. Craine, P.S.

(57) **CLAIM**

The ornamental design for a ceramic wall hanging planter box, as shown and described.

**DESCRIPTION**

FIG. 1 is a front perspective view of a ceramic wall hanging planter box, showing my design.

FIG. 2 is a rear perspective view of the invention.

FIG. 3 is a front elevation view of the invention.

FIG. 4 is a rear elevation view of the invention.

FIG. 5 is a top plan view of the invention.

FIG. 6 is a bottom plan view of the invention.

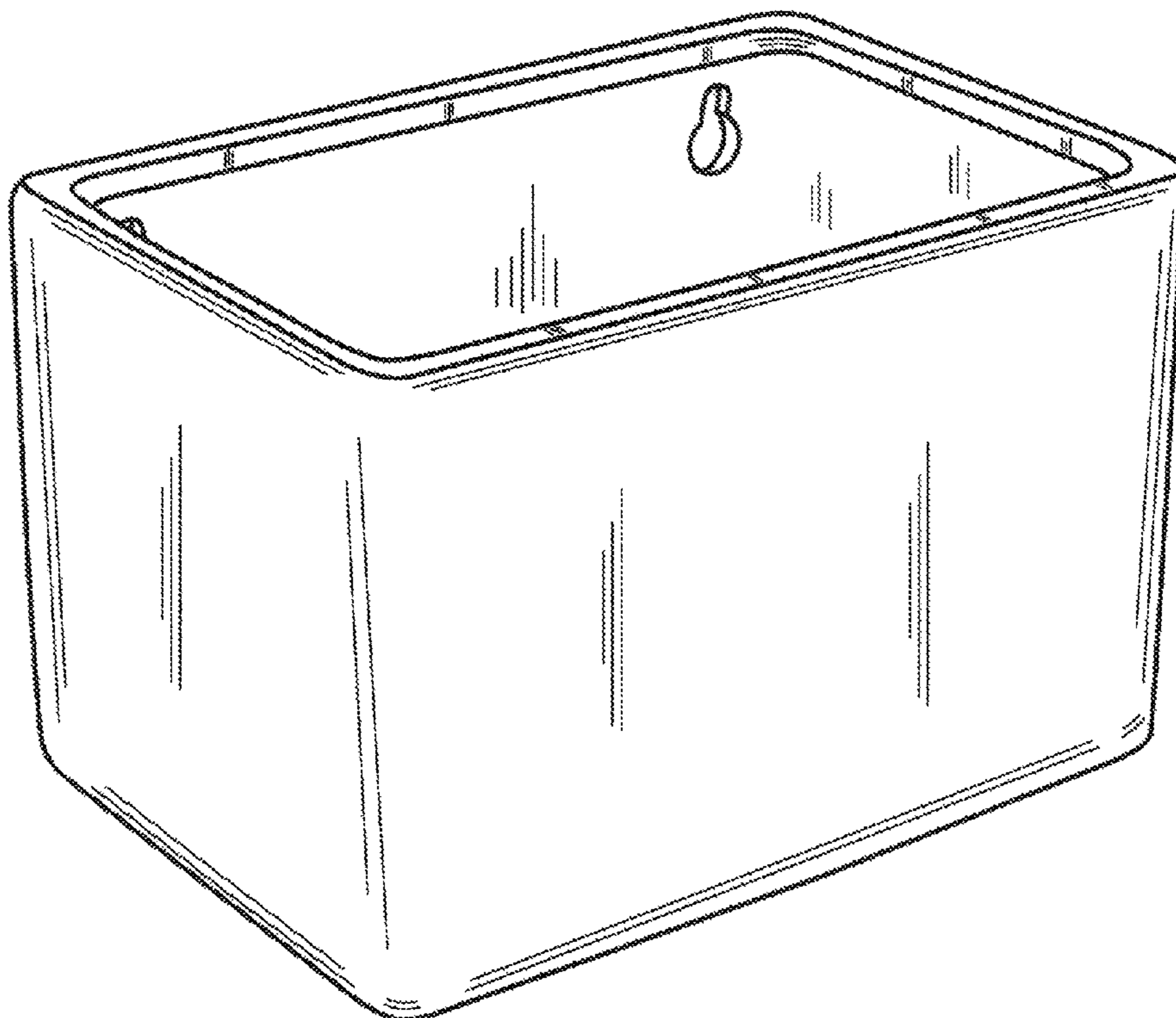
FIG. 7 is a right-side elevational view of the invention.

FIG. 8 is a left-side elevational view of the invention; and,

FIG. 9 is a sectional elevation view taken along line 9-9 in FIG. 4.

The design shown is not to be limited to any particular size and may be scaled larger or smaller.

**1 Claim, 5 Drawing Sheets**



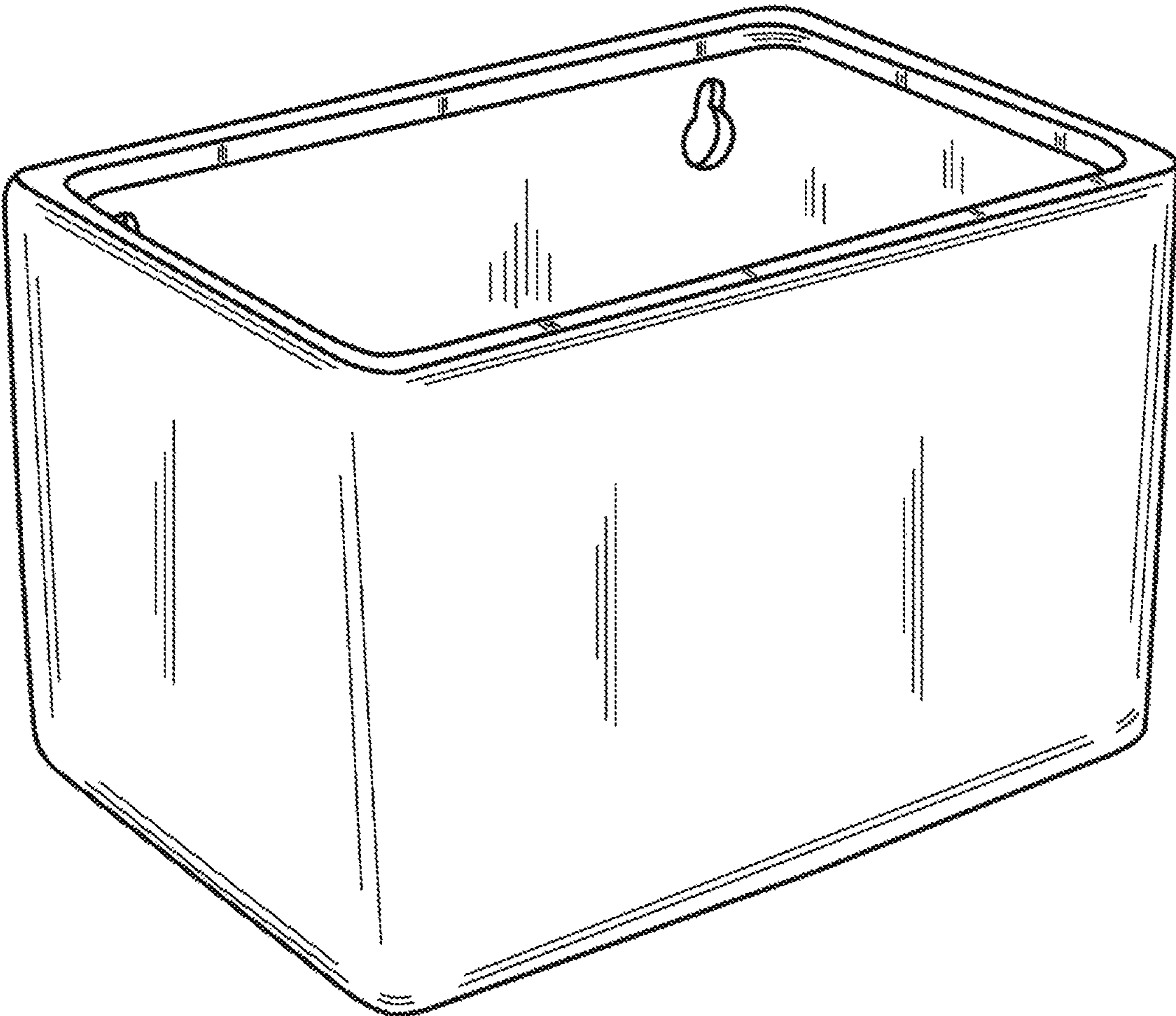


FIG. 1

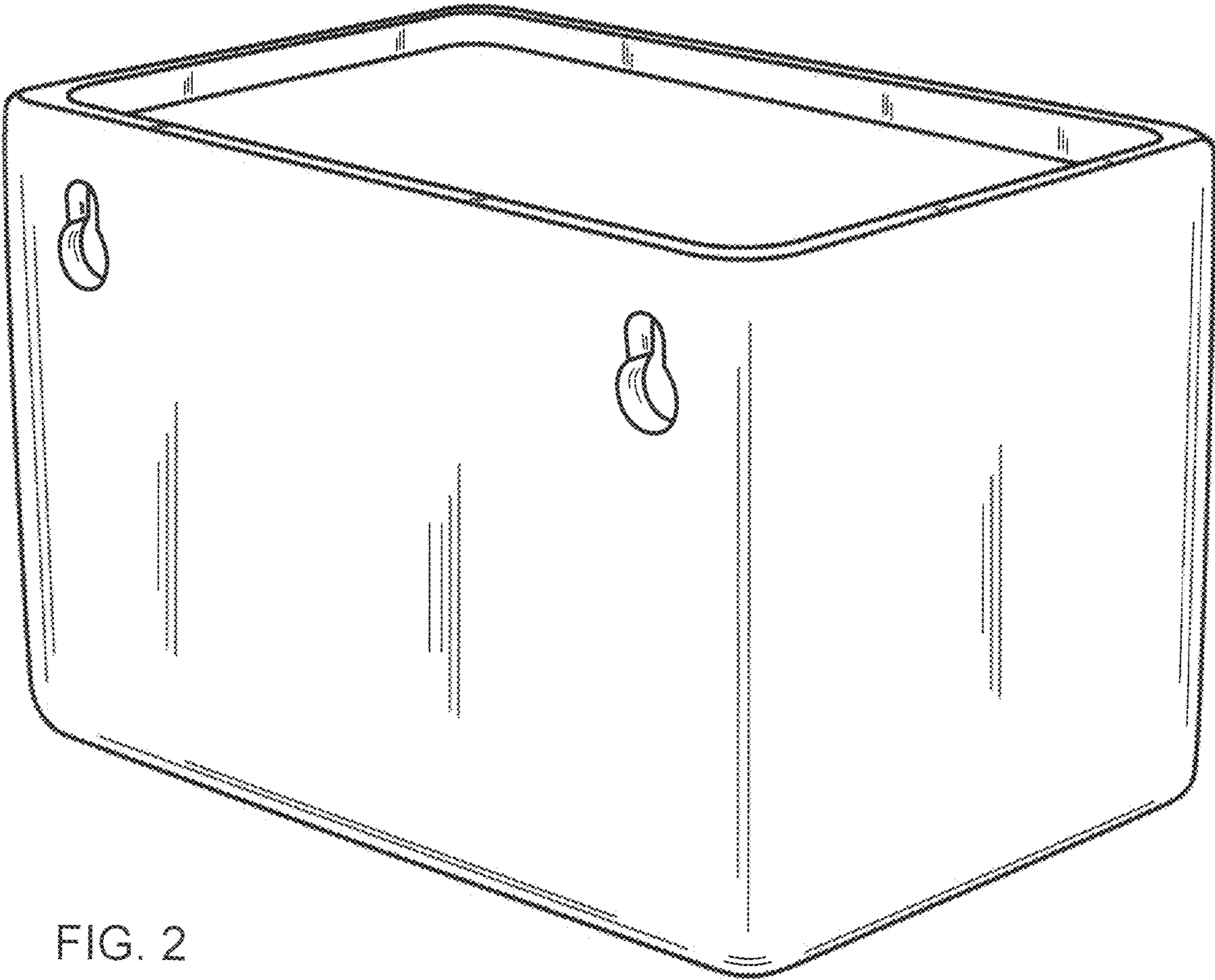


FIG. 2

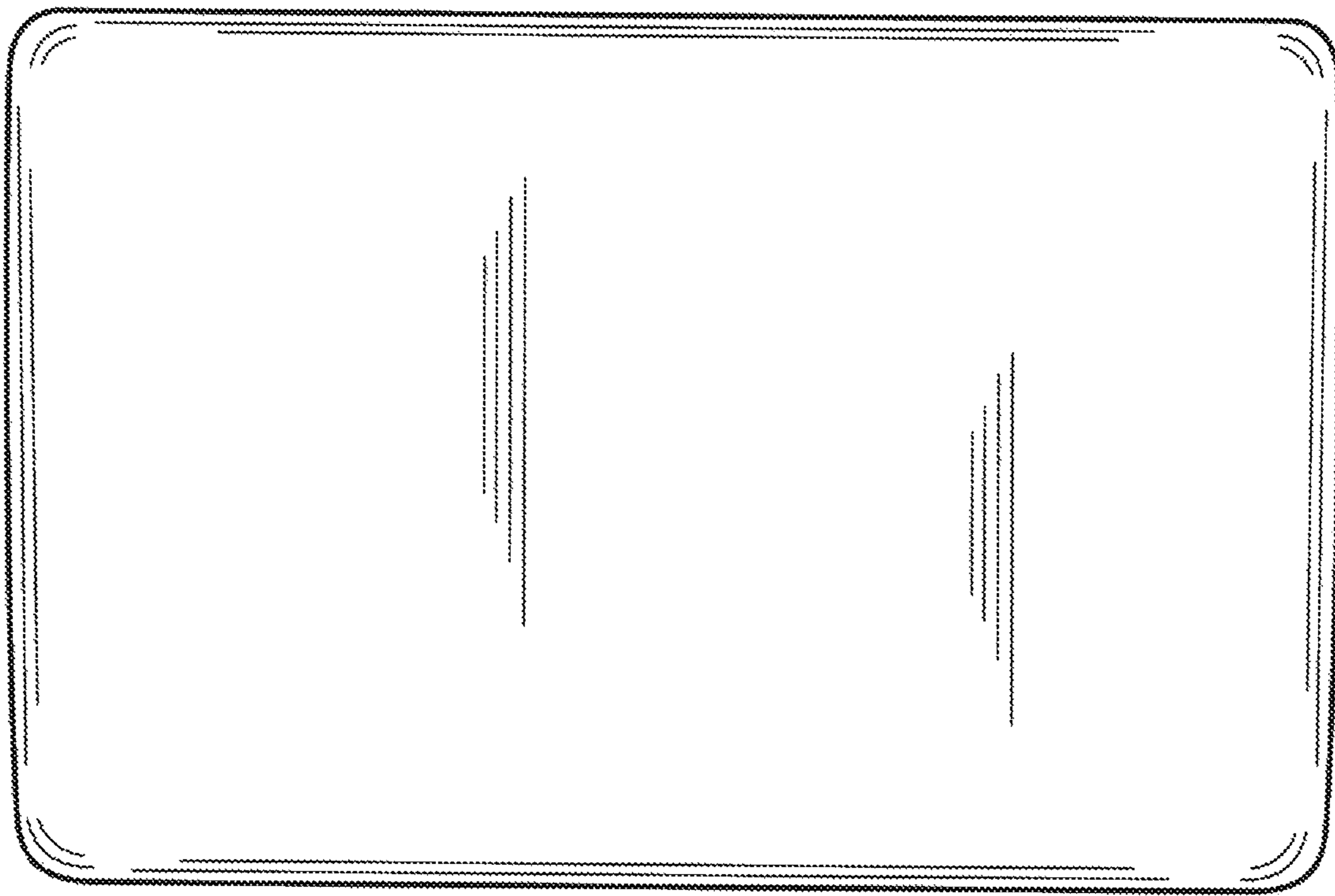


FIG. 3



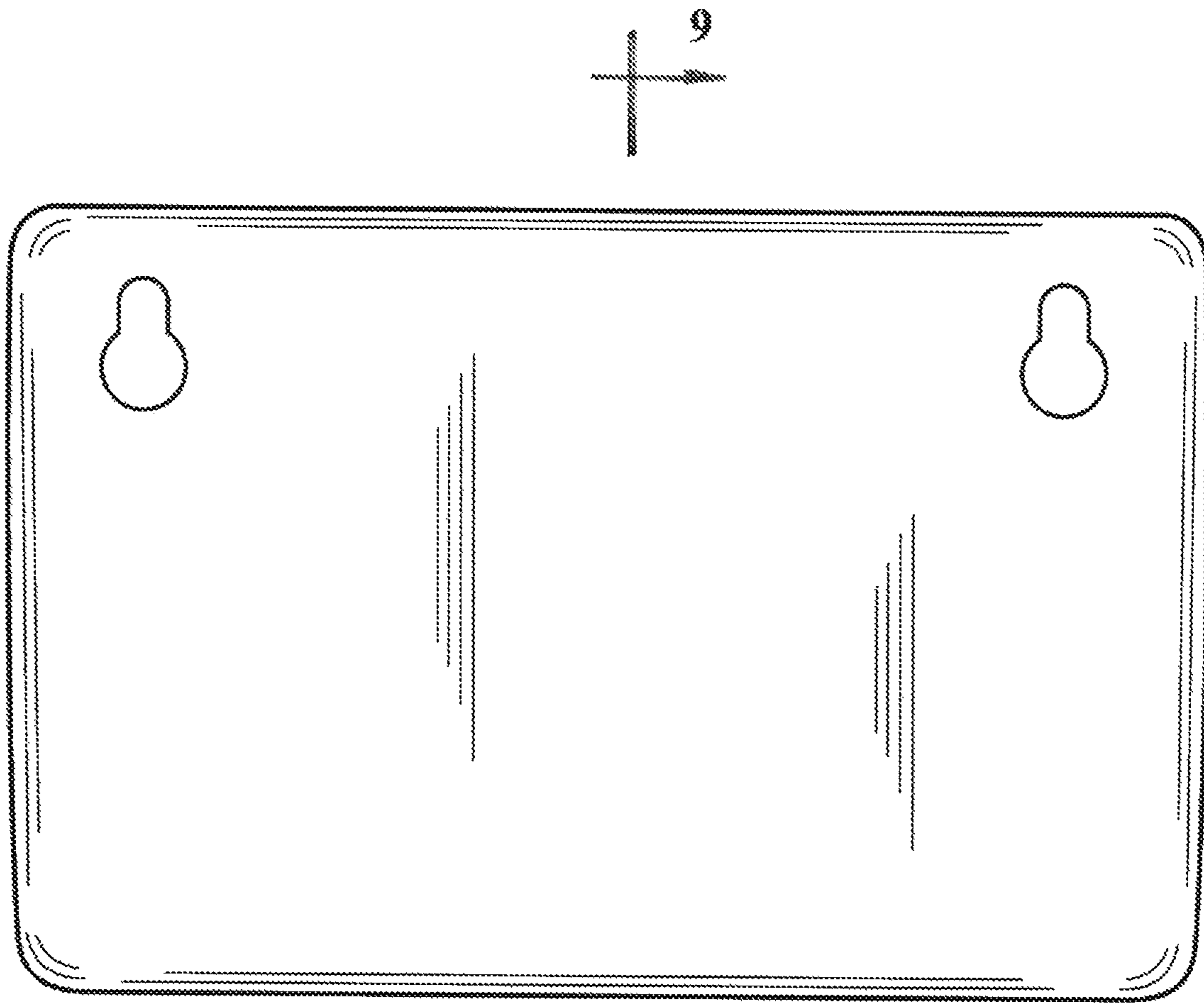
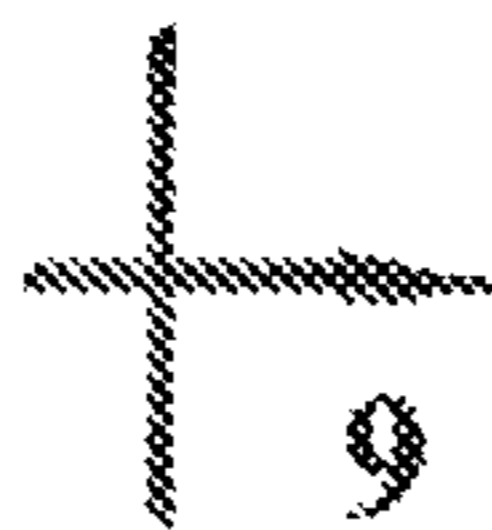


FIG. 4



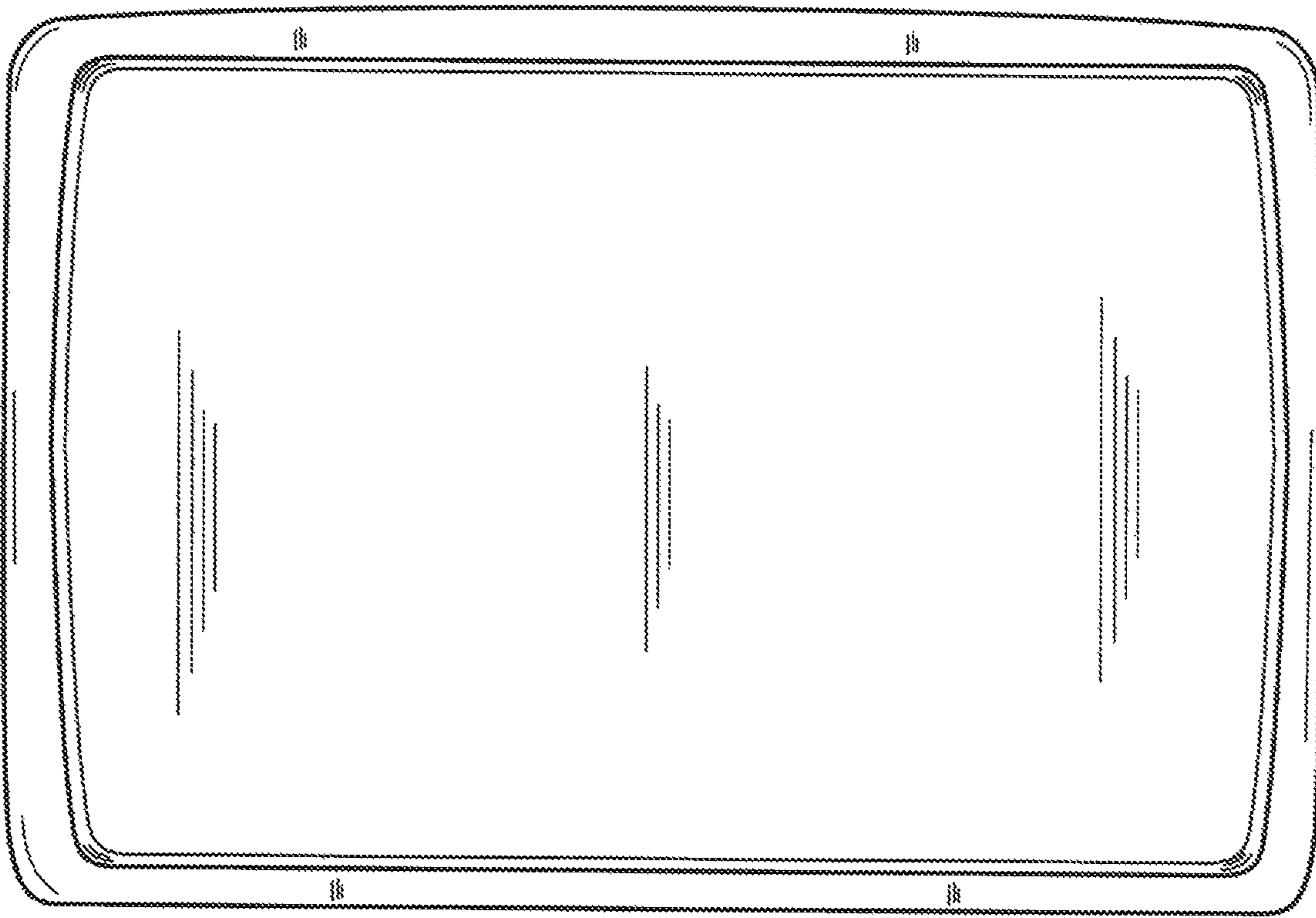


FIG. 5