



US00D916509S

(12) **United States Design Patent** (10) **Patent No.:** **US D916,509 S**
Lien (45) **Date of Patent:** **** Apr. 20, 2021**

(54) **YOGA RACK**

D577,235 S * 9/2008 Blazer D6/552
D681,380 S * 5/2013 Lien D6/552
D703,971 S * 5/2014 Parisi D6/552

(71) Applicant: **USA Sports, Inc.**, Houston, TX (US)

* cited by examiner

(72) Inventor: **Louis Lien**, Bellaire, TX (US)

Primary Examiner — Mark Booker

(73) Assignee: **USA Sports, Inc.**, Houston, TX (US)

(**) Term: **15 Years**

(21) Appl. No.: **29/689,194**

(57) **CLAIM**

(22) Filed: **Apr. 28, 2019**

The ornamental design for a yoga rack, as shown and described.

(51) **LOC (13) Cl.** **08-08**

(52) **U.S. Cl.**

USPC **D6/552**

(58) **Field of Classification Search**

USPC D6/552, 396, 397, 449, 455, 566;
D7/600.4; D21/785; 108/28, 59, 91,
108/150; 206/315.91; 248/309.1;
211/13.1, 14, 85.23
CPC A63D 15/005; A63D 15/00; A47F 1/082;
Y10S 224/919

See application file for complete search history.

DESCRIPTION

FIG. 1 is a front elevation view of a yoga rack showing my new design.

FIG. 2 is a rear elevation view thereof.

FIG. 3 is a left side elevation view thereof.

FIG. 4 is a right side elevation view thereof.

FIG. 5 is a top plan view thereof.

FIG. 6 shows a bottom plan view thereof.

FIG. 7 is a perspective view thereof; and,

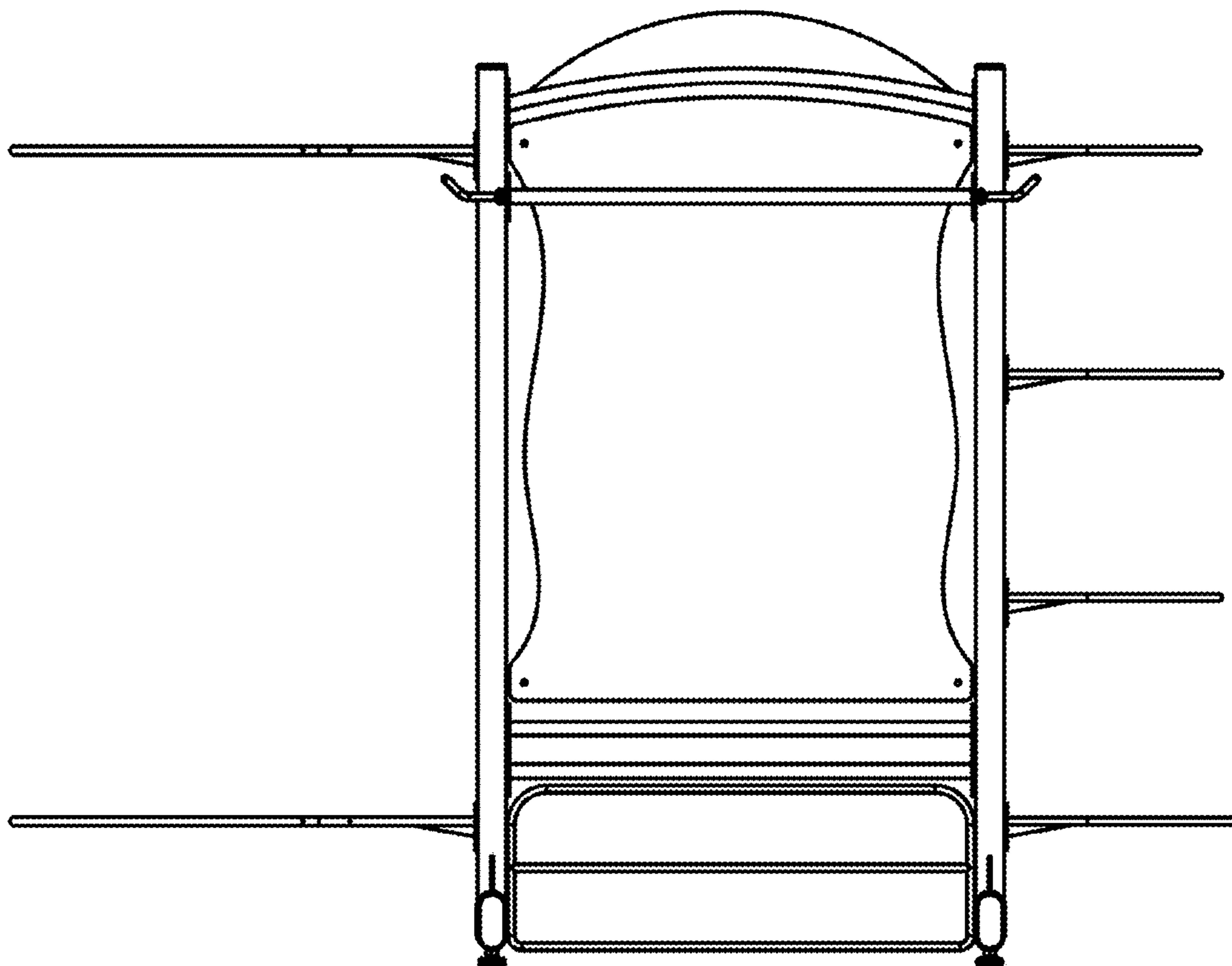
FIG. 8 is another perspective view thereof.

(56) **References Cited**

U.S. PATENT DOCUMENTS

D389,688 S * 1/1998 Iacono D6/552
D567,559 S * 4/2008 Blazer D6/552

1 Claim, 7 Drawing Sheets



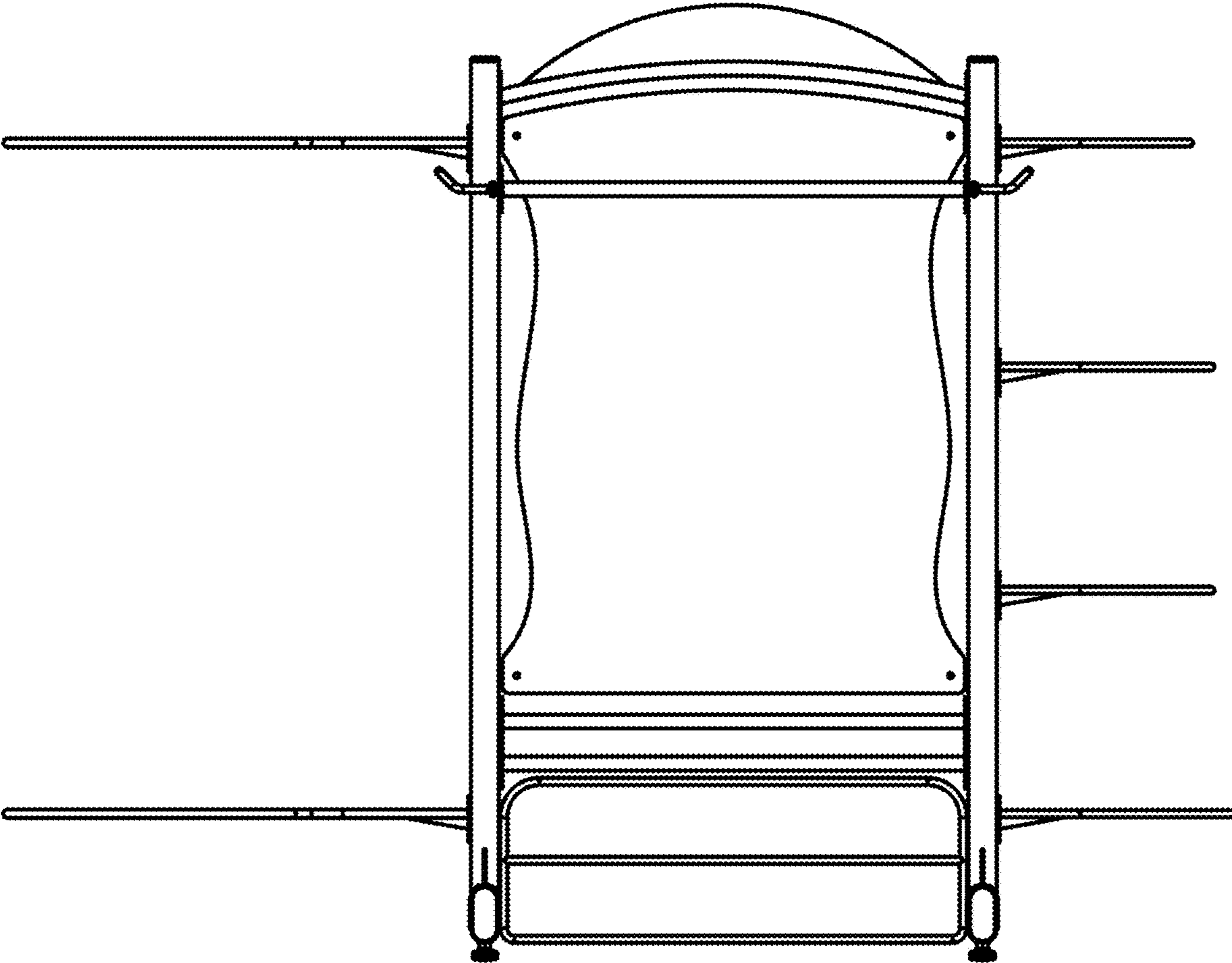


FIG. 1

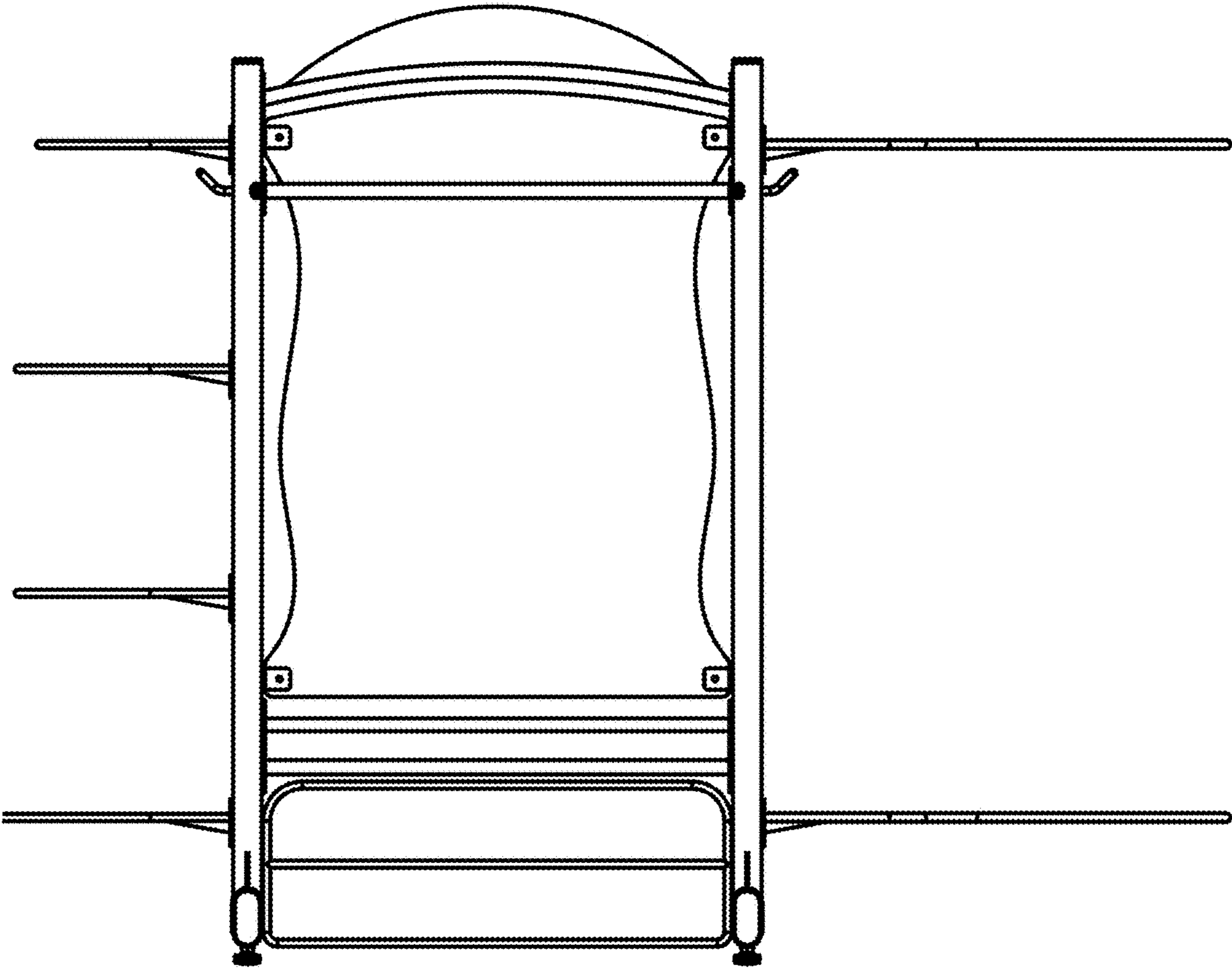


FIG. 2

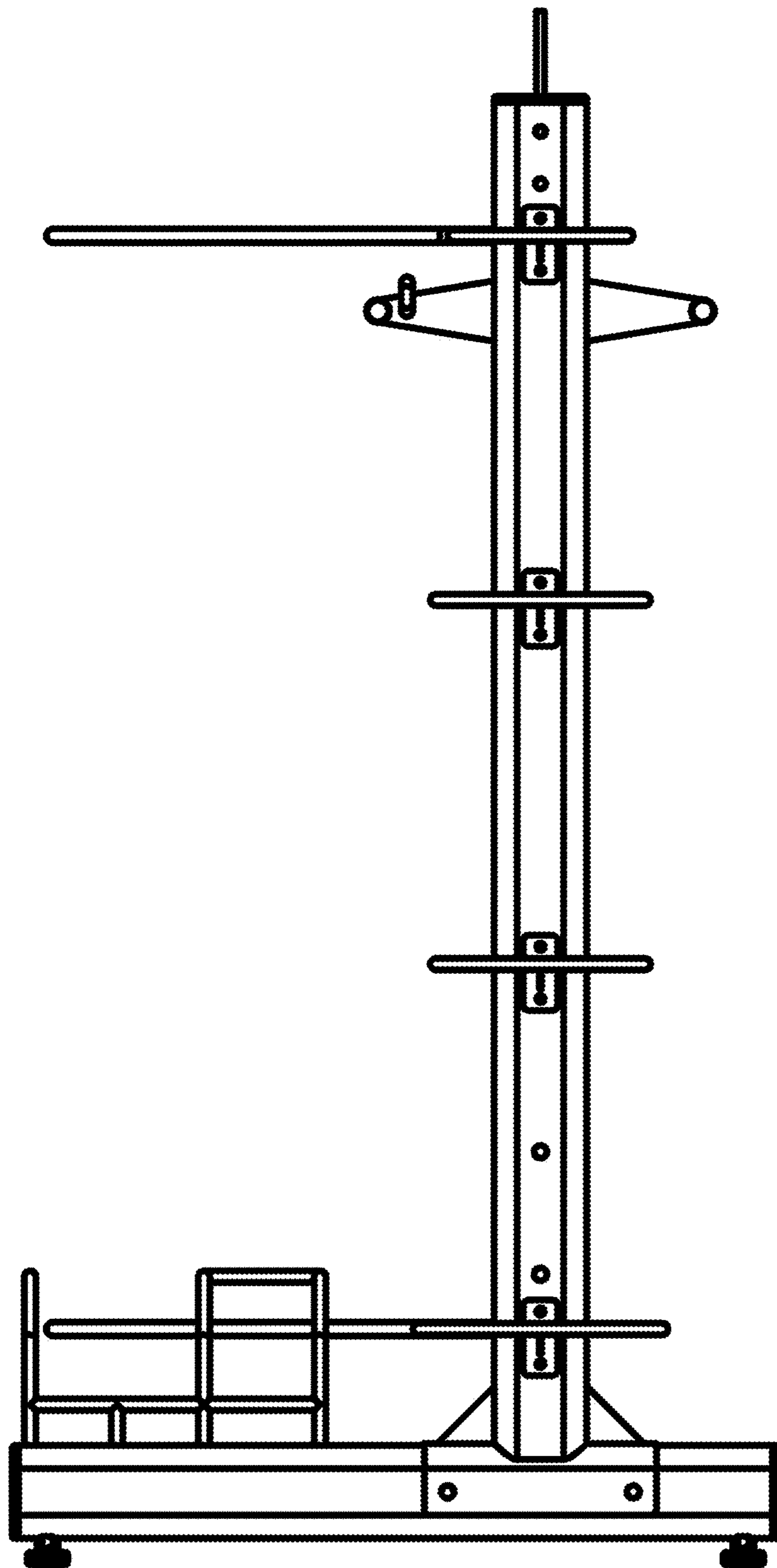


FIG. 3

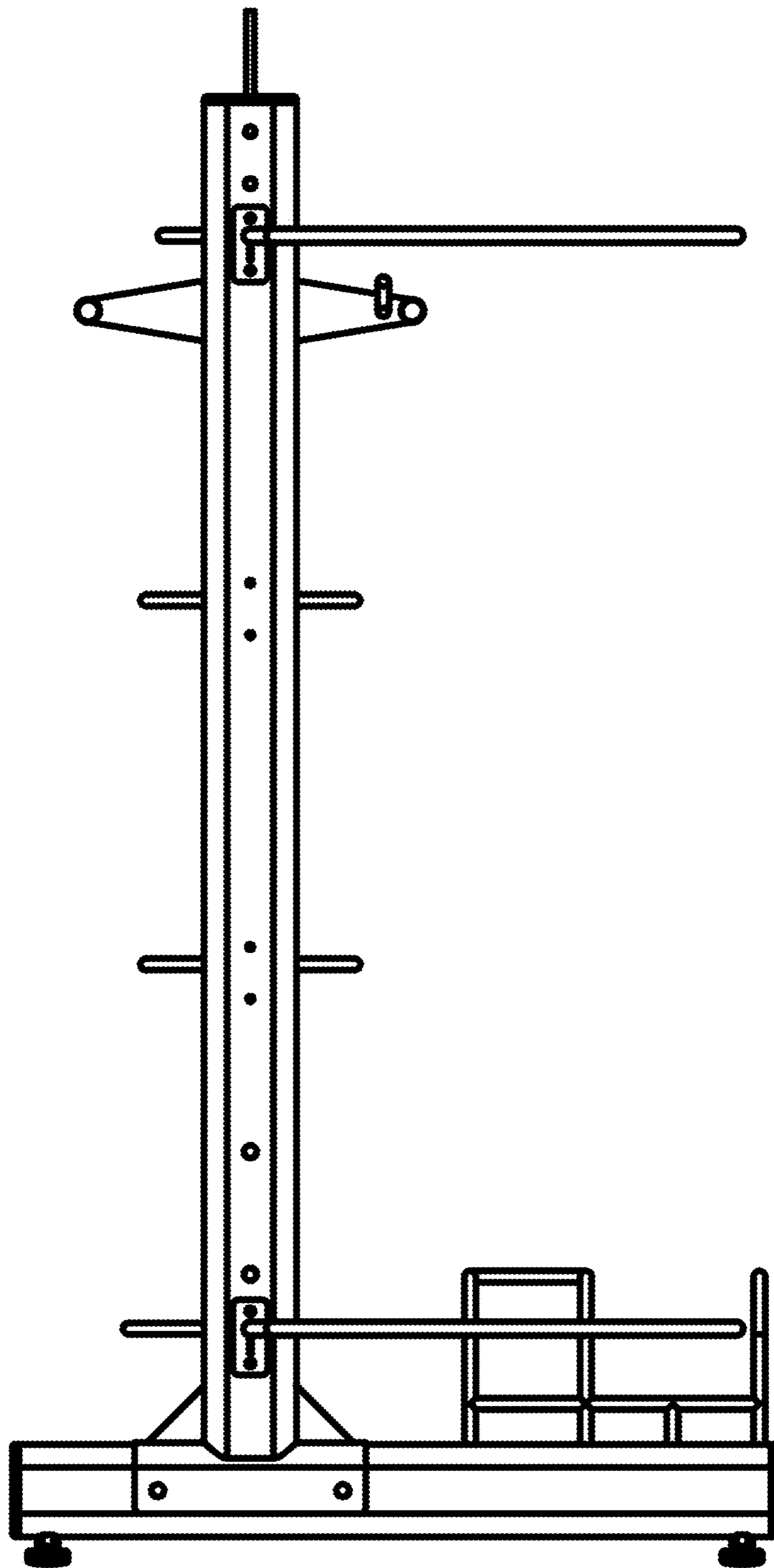


FIG. 4

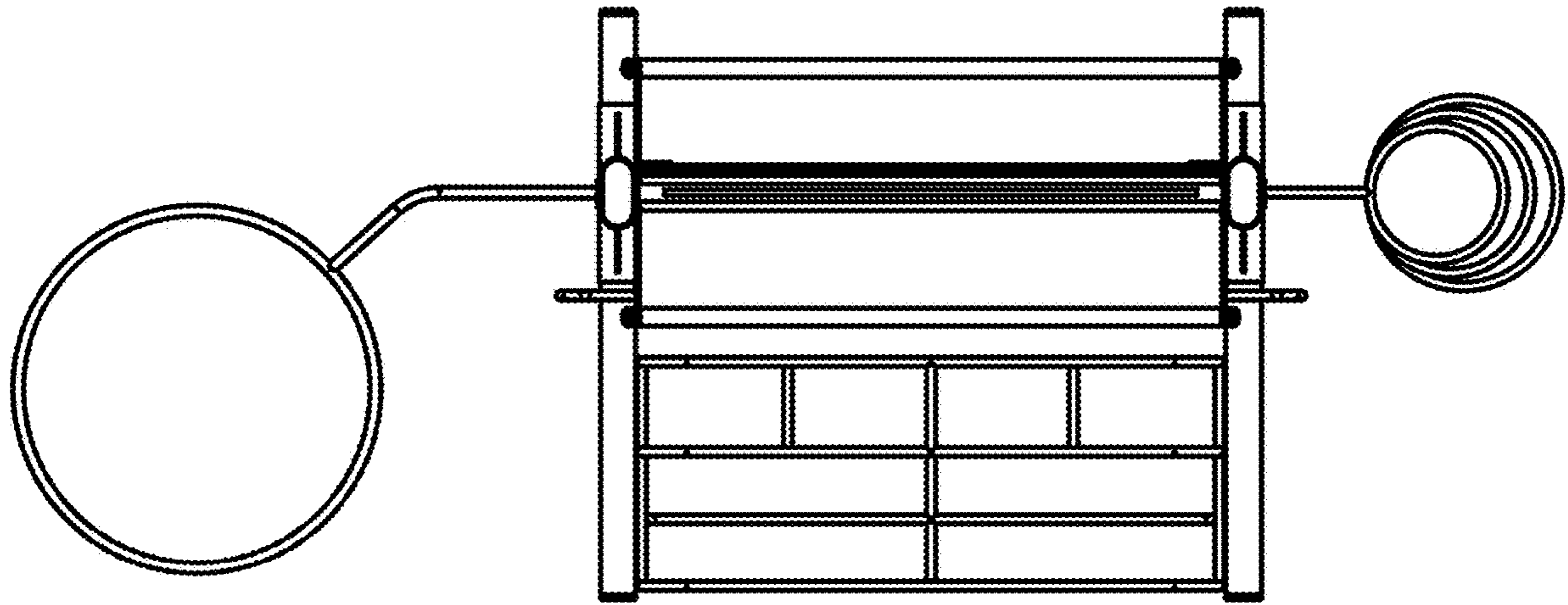


FIG. 5

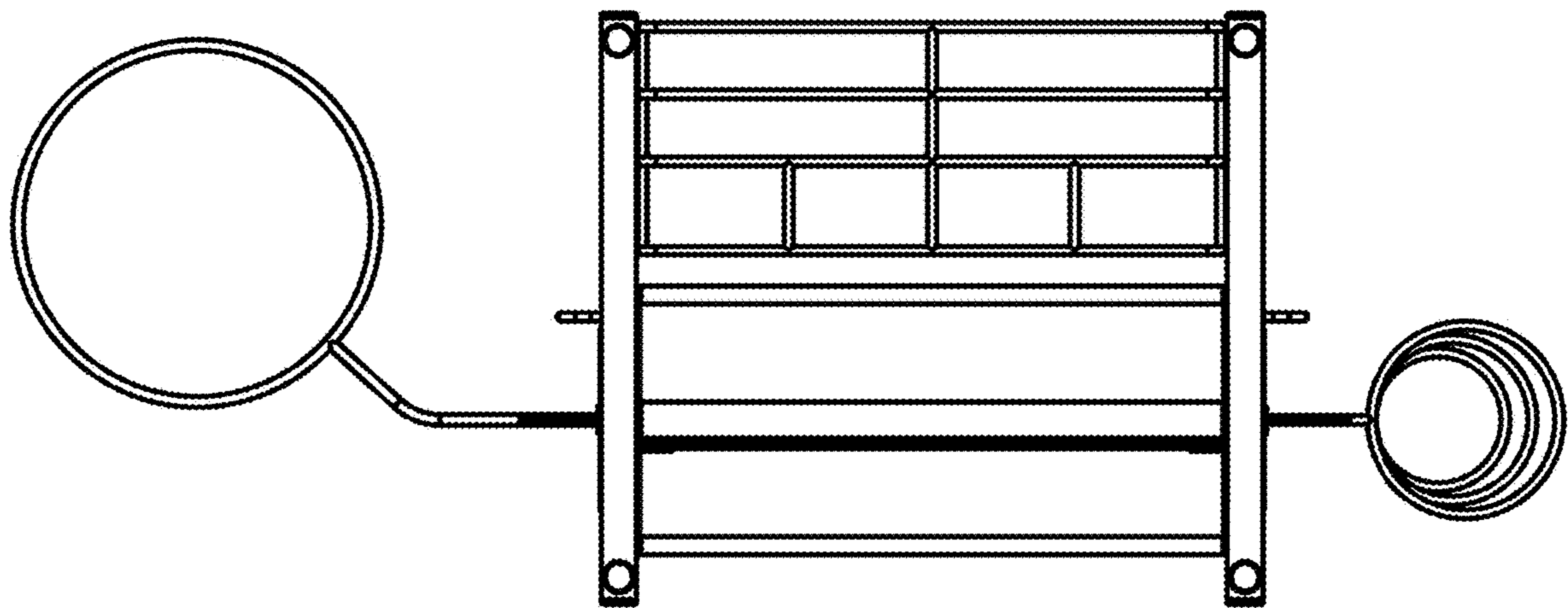


FIG. 6

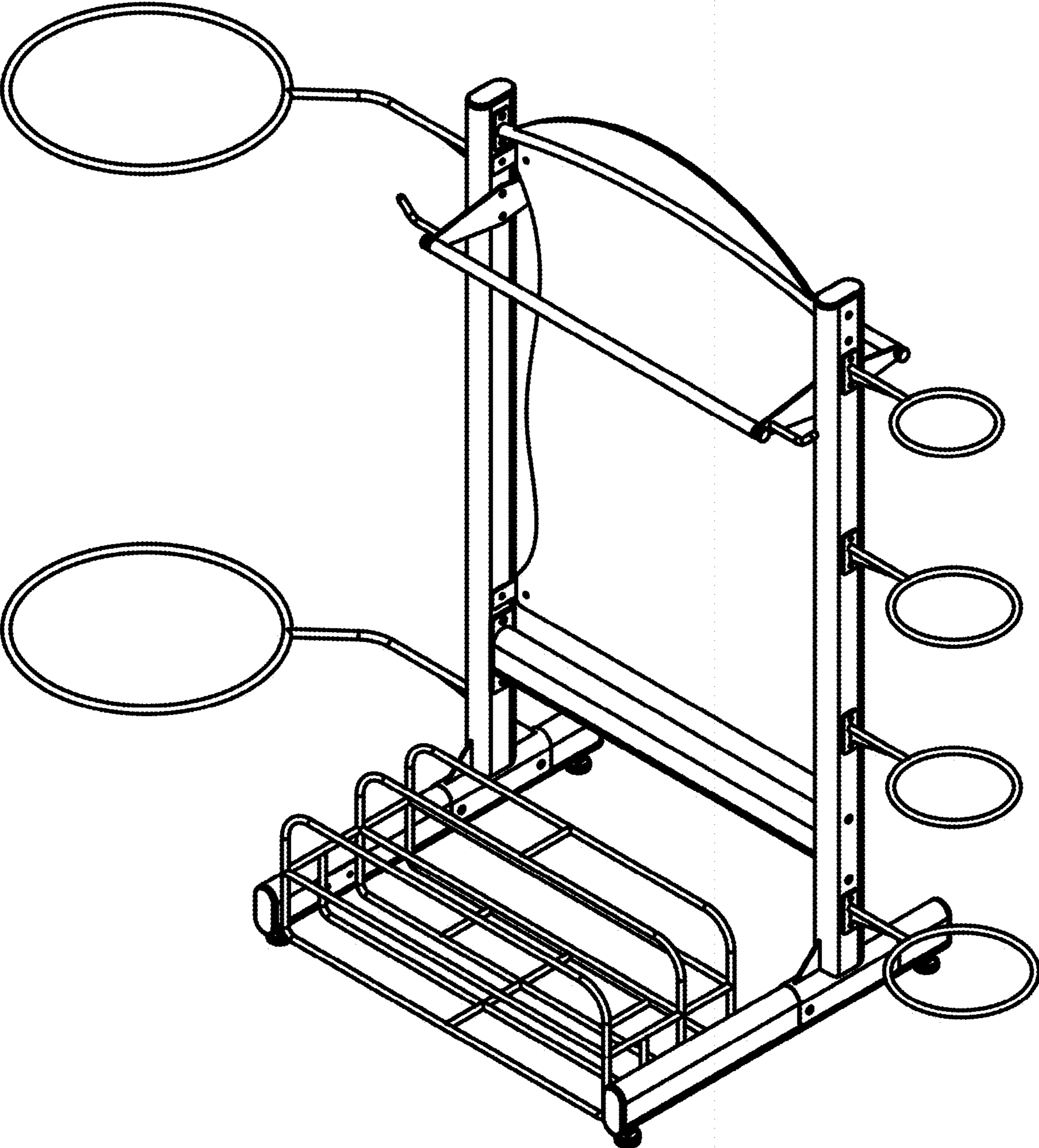


FIG. 7

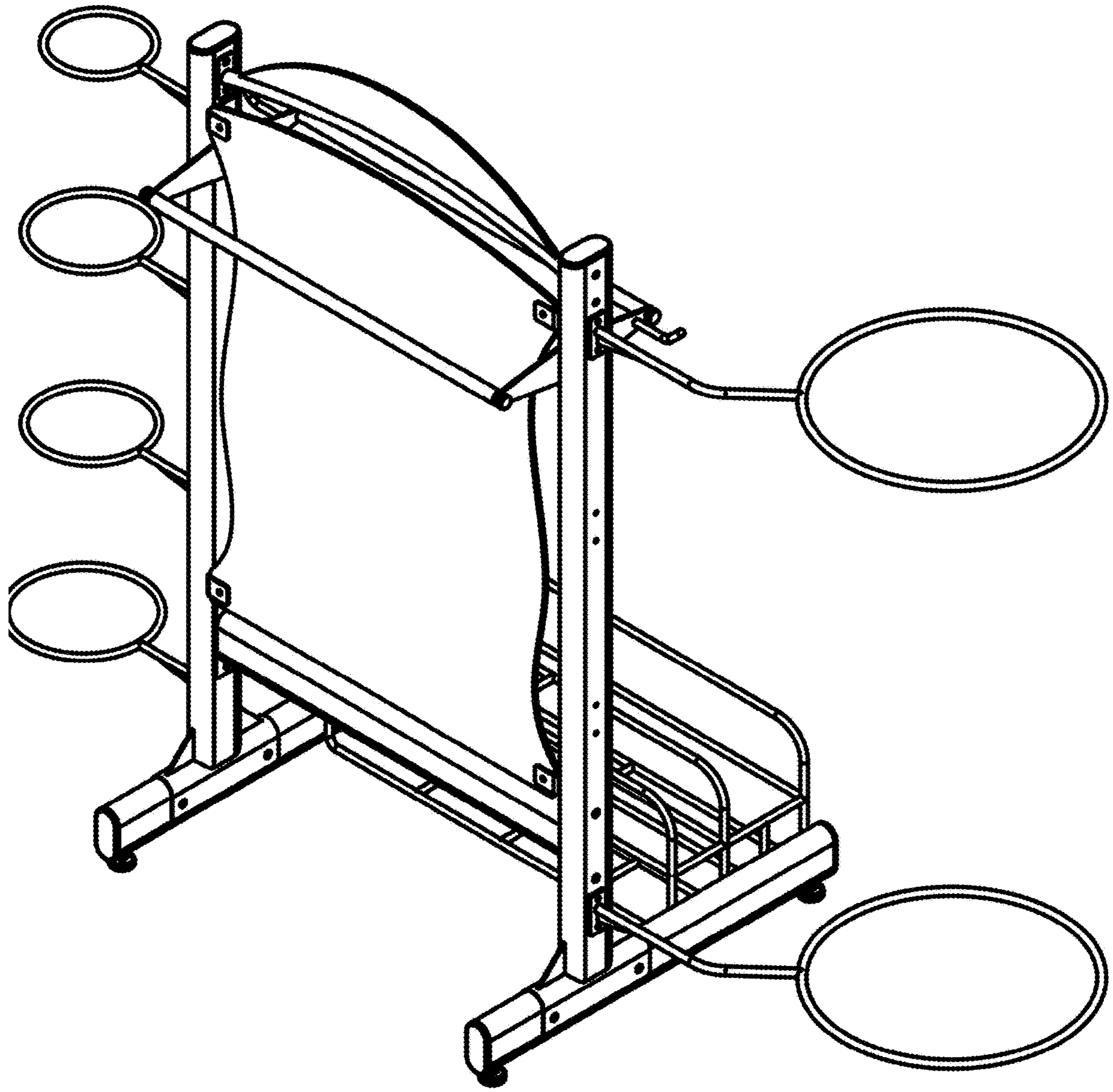


FIG. 8