



US00D916508S

(12) **United States Design Patent**
Emmerich

(10) **Patent No.:** **US D916,508 S**

(45) **Date of Patent:** **** Apr. 20, 2021**

(54) **MOUNT**

(71) Applicant: **Scott J. Emmerich**, Delavan, WI (US)

(72) Inventor: **Scott J. Emmerich**, Delavan, WI (US)

(**) Term: **15 Years**

(21) Appl. No.: **29/685,902**

(22) Filed: **Apr. 1, 2019**

(51) **LOC (13) Cl.** **08-08**

(52) **U.S. Cl.**
USPC **D6/552**

(58) **Field of Classification Search**
USPC D6/552, 512, 513, 553, 567; D8/349,
D8/354, 355, 363, 373-377; 211/13.1,
211/85.13, 86.01, 89.01, 113, 135;
248/95, 200, 205.1, 205.2, 220.21, 241,
248/247, 248, 300, 301, 309.1, 311.2,
248/317, 339; D14/238, 447
CPC .. A47F 5/00; A47H 1/10; A47G 29/00; A47G
29/08; A47B 97/00; A47K 3/14; F41G
11/003; F41G 11/00; B01D 46/0005
See application file for complete search history.

(56) **References Cited**

U.S. PATENT DOCUMENTS

5,120,012	A	6/1992	Rosenau	
D531,489	S *	11/2006	Concari	D8/373
D538,630	S *	3/2007	Sergi	D8/354
D562,043	S *	2/2008	Rogers	D6/552
D578,521	S *	10/2008	Sergi	D14/238
D670,996	S *	11/2012	Rogers	D8/363
D742,728	S	11/2015	Ostler	
9,291,304	B1	3/2016	Tu	
D877,532	S *	3/2020	Tsao	D6/552
D891,227	S *	7/2020	Lovgren	D8/349

OTHER PUBLICATIONS

amazon.com, Esk8Club Skateboard Hangar, depicting a product on sale or publicly disclosed more than one year before the filing of the instant application, 9 pp.

(Continued)

Primary Examiner — Mark Booker

(74) *Attorney, Agent, or Firm* — Fitch, Even, Tabin & Flannery LLP

(57) **CLAIM**

I claim the ornamental design for a mount, as shown and described.

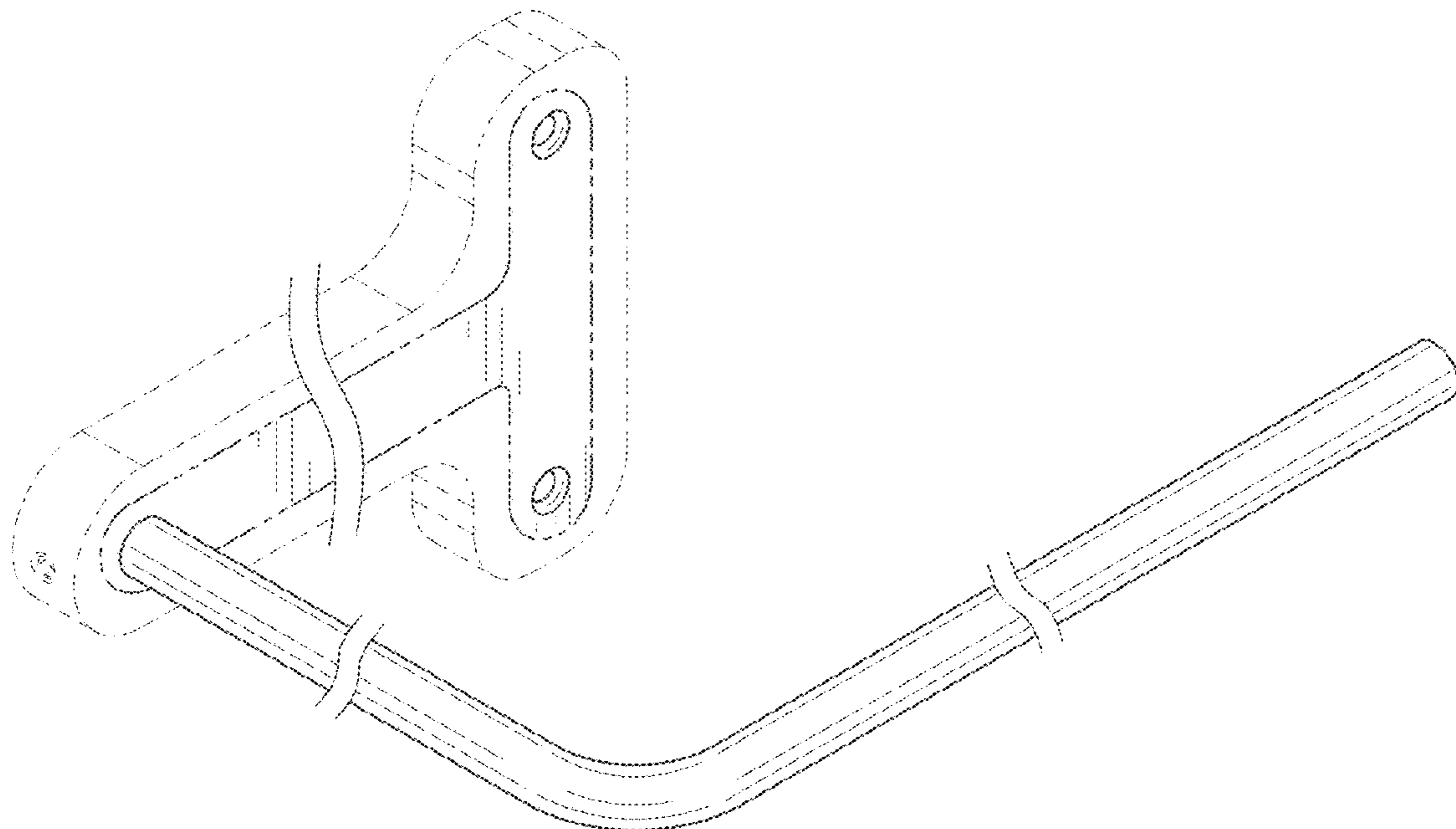
DESCRIPTION

FIG. 1 is a front perspective view of a mount in accordance with an embodiment of my new design for displaying the artwork of an item while the item is positioned on the mount; FIG. 2 is a rear perspective view of the mount of FIG. 1; FIG. 3 is a front elevation view of the mount of FIGS. 1-2; FIG. 4 is a rear elevation view of the mount of FIGS. 1-3; FIG. 5 is a top view of the mount of FIGS. 1-4; FIG. 6 is a bottom view of the mount of FIGS. 1-5; FIG. 7 is a left side elevation view of the mount of FIGS. 1-6; and, FIG. 8 is a right side elevation view of the mount of FIGS. 1-7.

The broken lines shown in the figures represent portions of the suction mount that form no part of the claimed design. The broken line showing immediately adjacent to the shaded areas represents boundaries to the claimed design and forms no part of the claimed design.

The broken away symbols in the drawings indicate that any portion of the article beyond what is shown forms no part of the claimed design.

1 Claim, 7 Drawing Sheets



(56)

References Cited

OTHER PUBLICATIONS

amazon.com, Sk8ology Skateboard Deck Display, depicting a product on sale or publicly disclosed more than one year before the filing of the instant application, 12 pp.

amazon.com, StoreYourBoard Skateboard Rack, depicting a product on sale or publicly disclosed more than one year before the filing of the instant application, 18 pp.

* cited by examiner

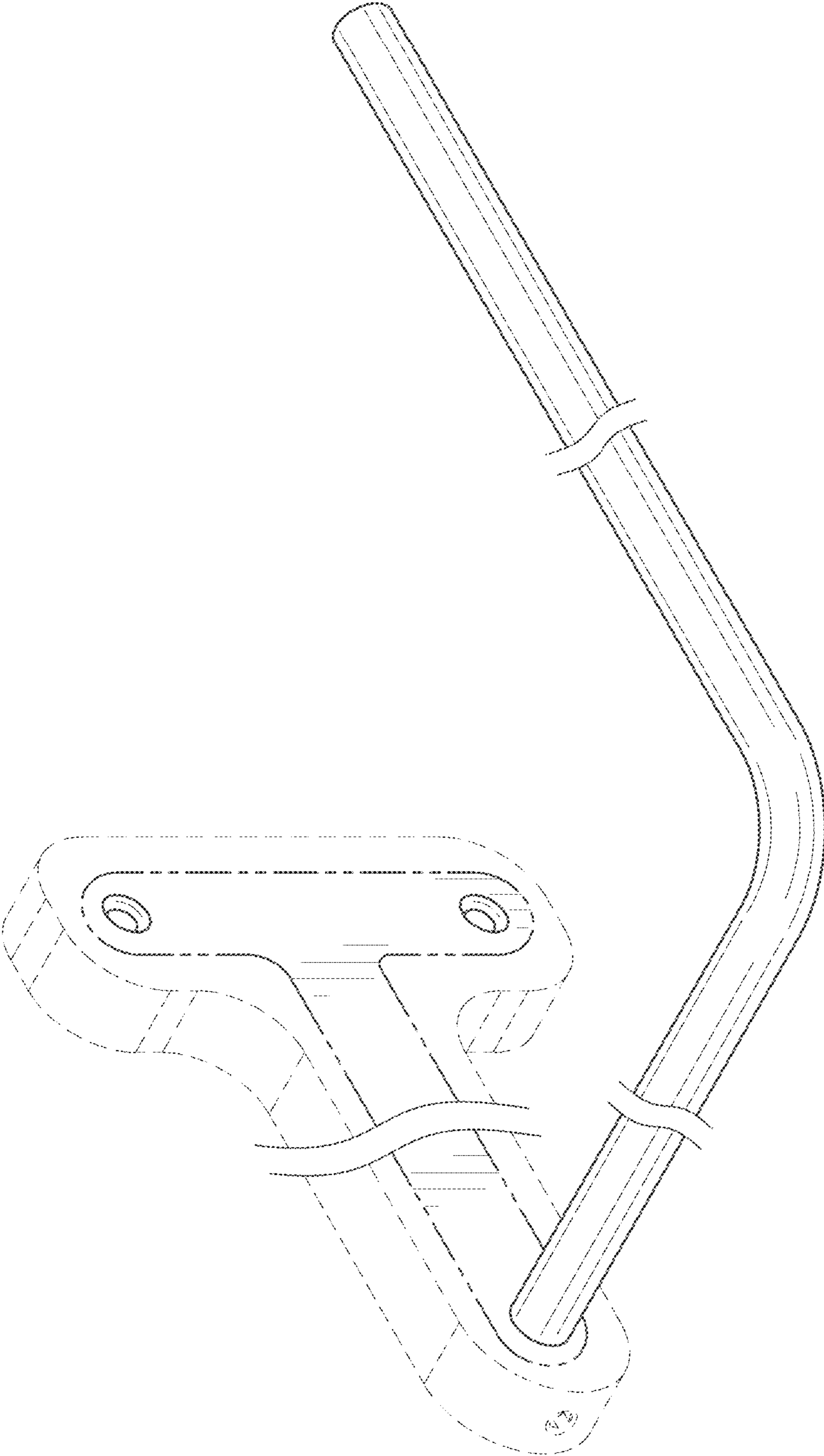


FIG. 1

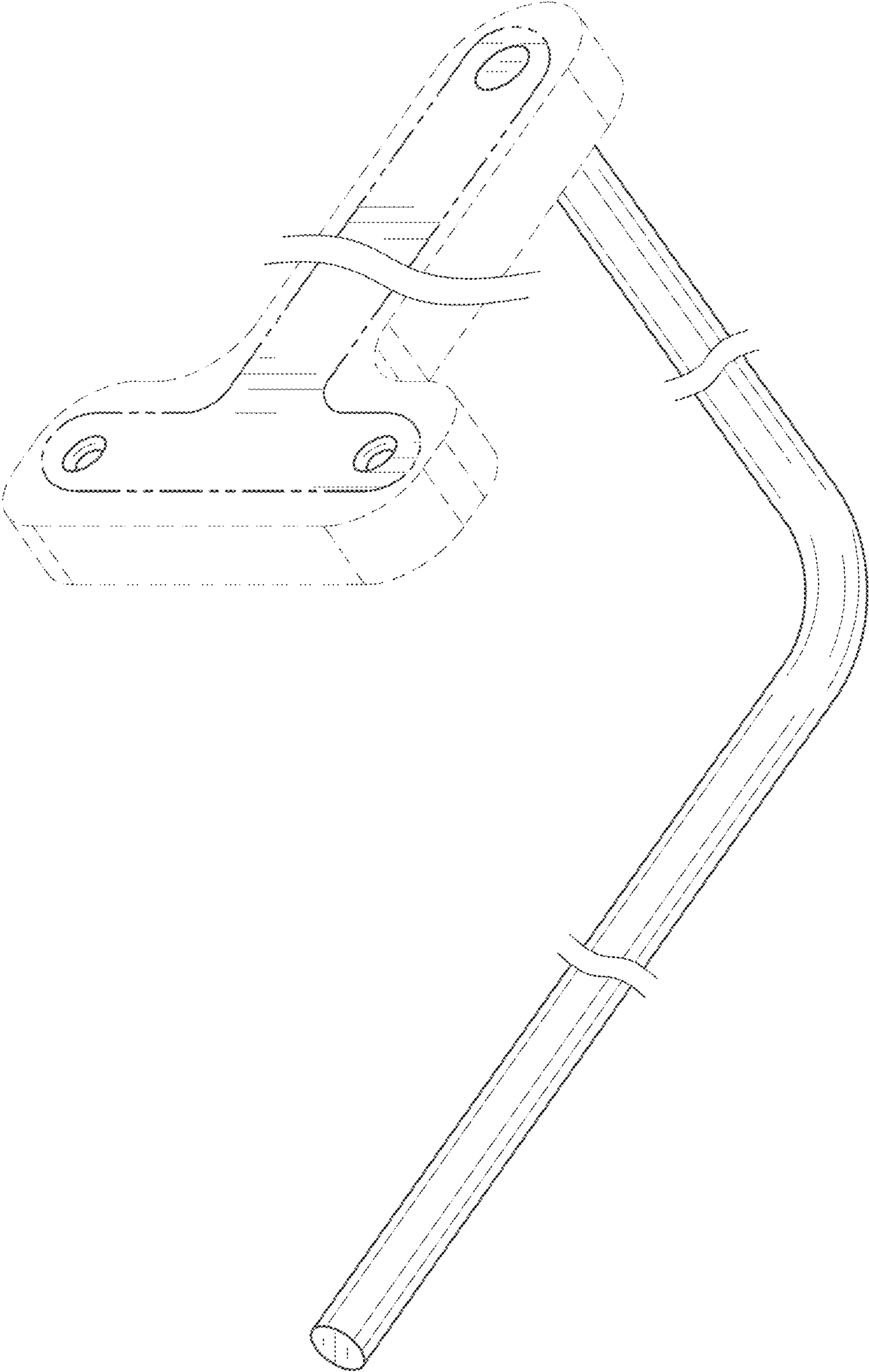


FIG. 2

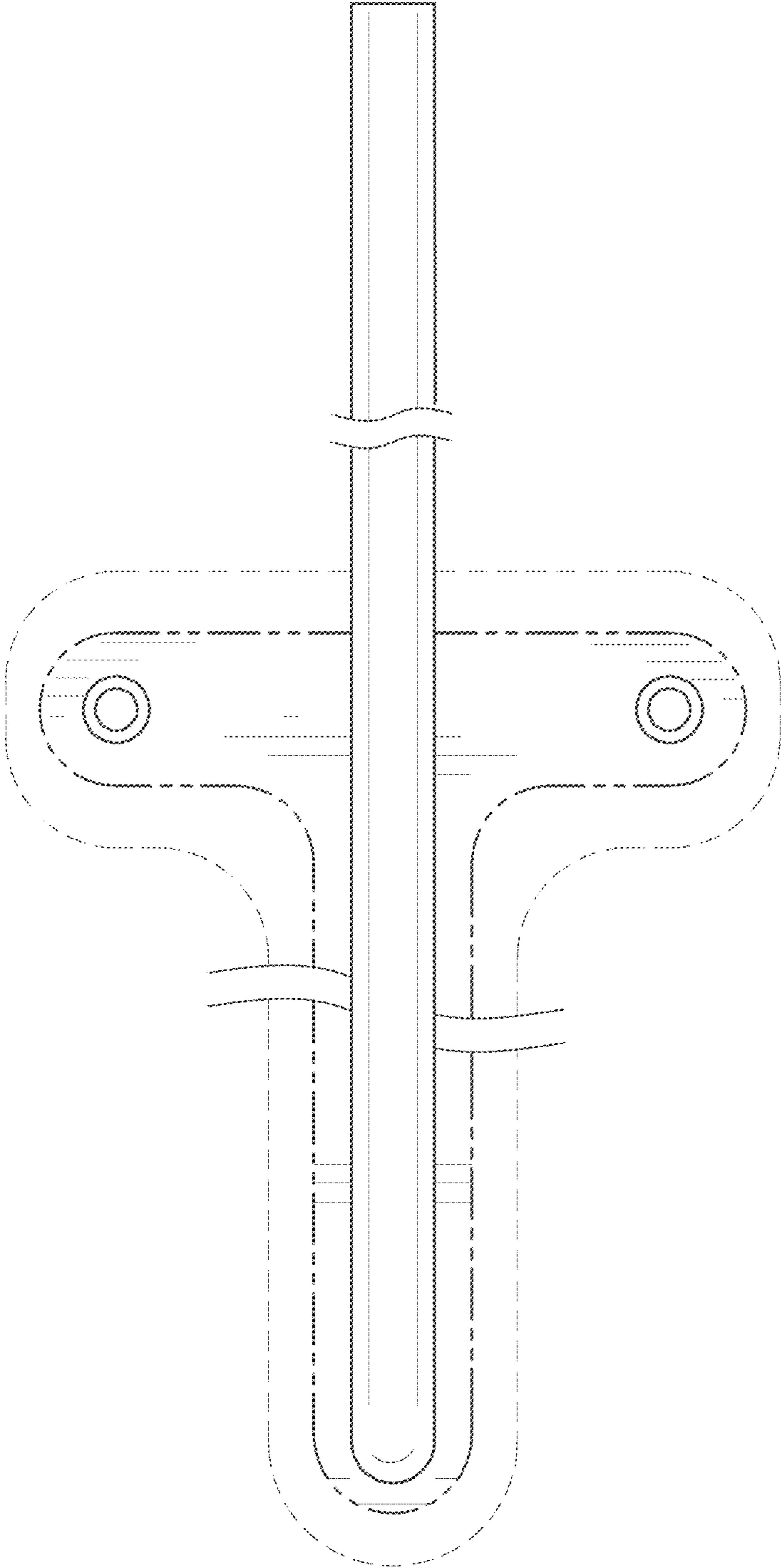


FIG. 3

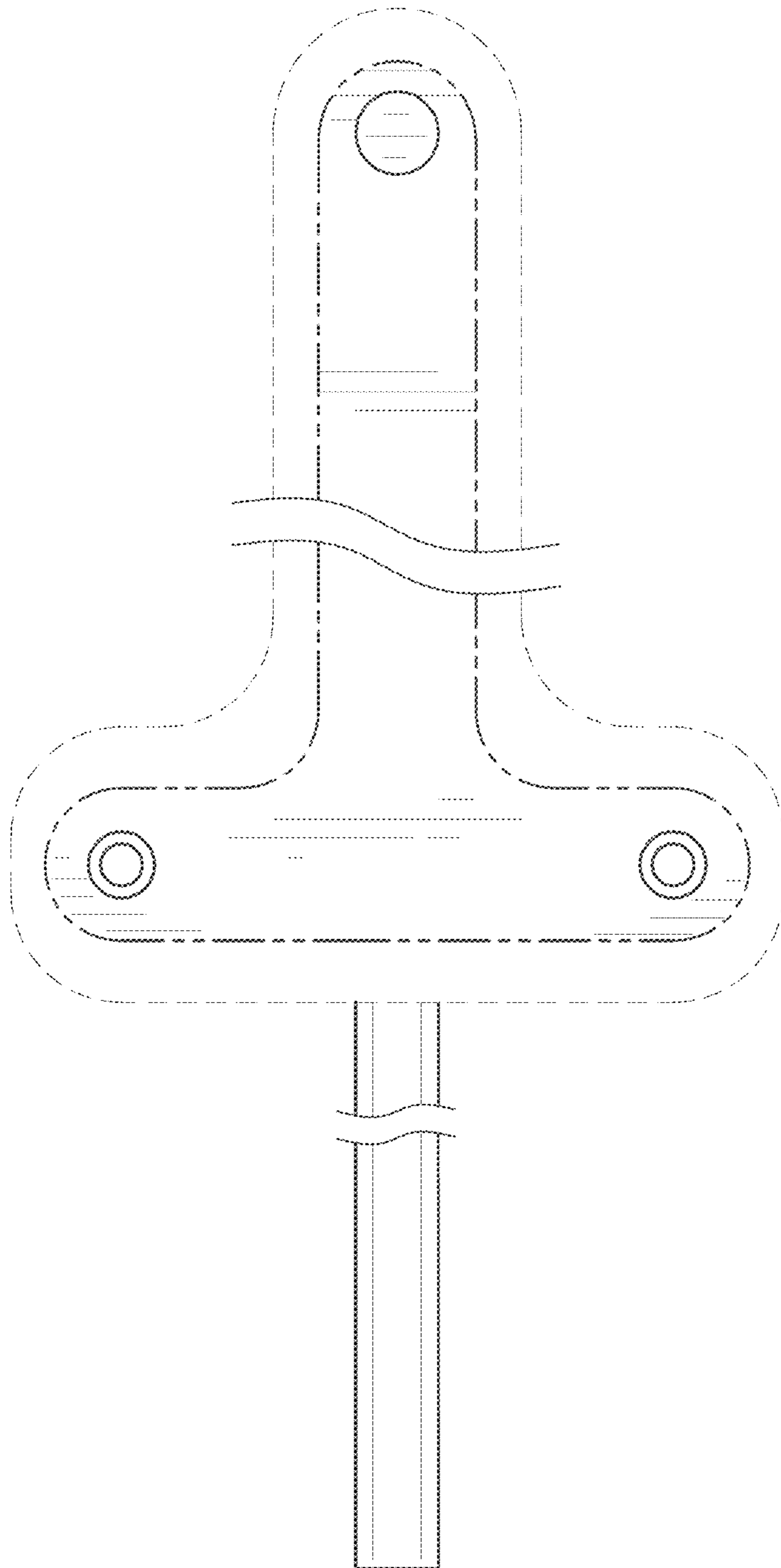


FIG. 4

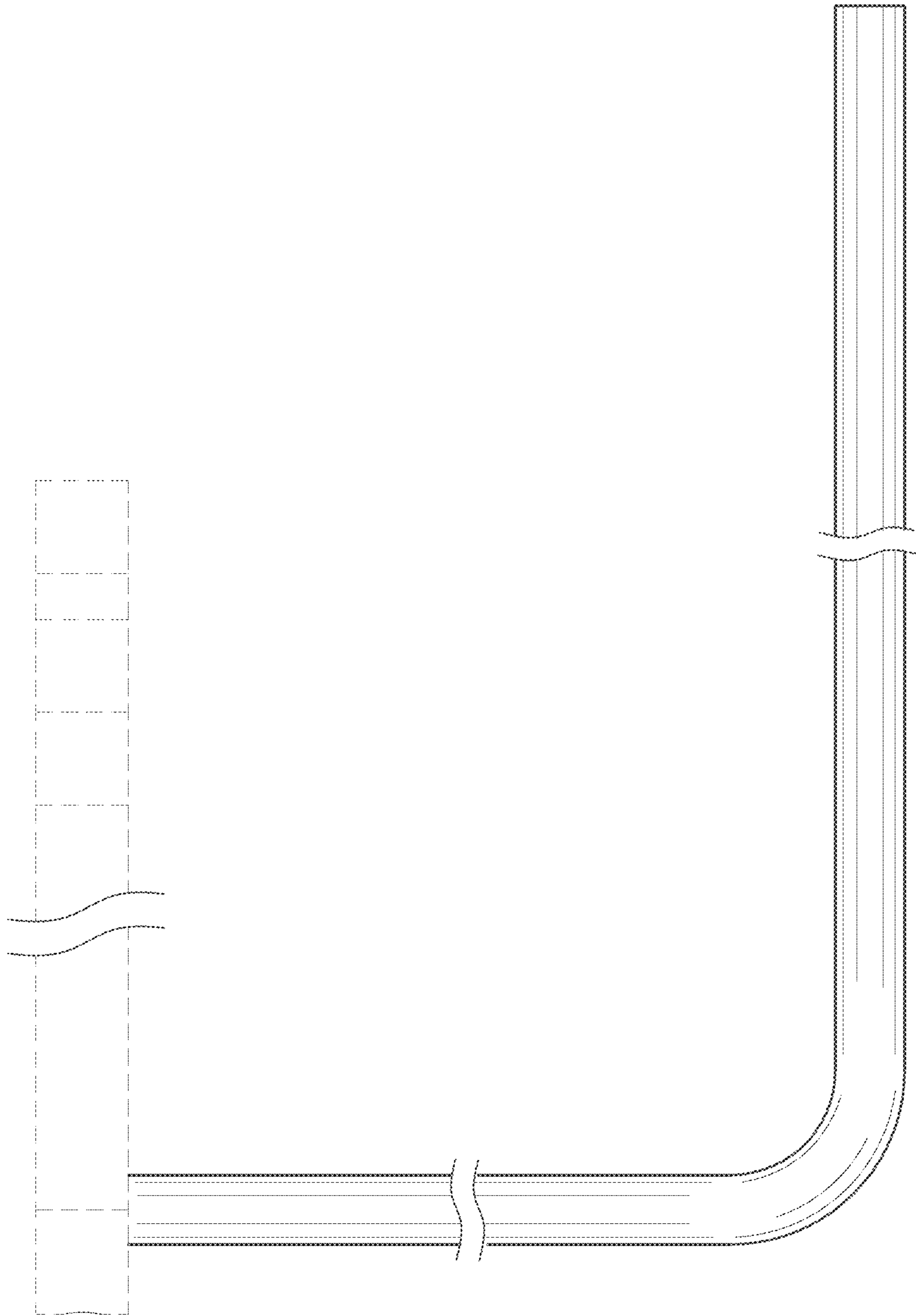


FIG. 5

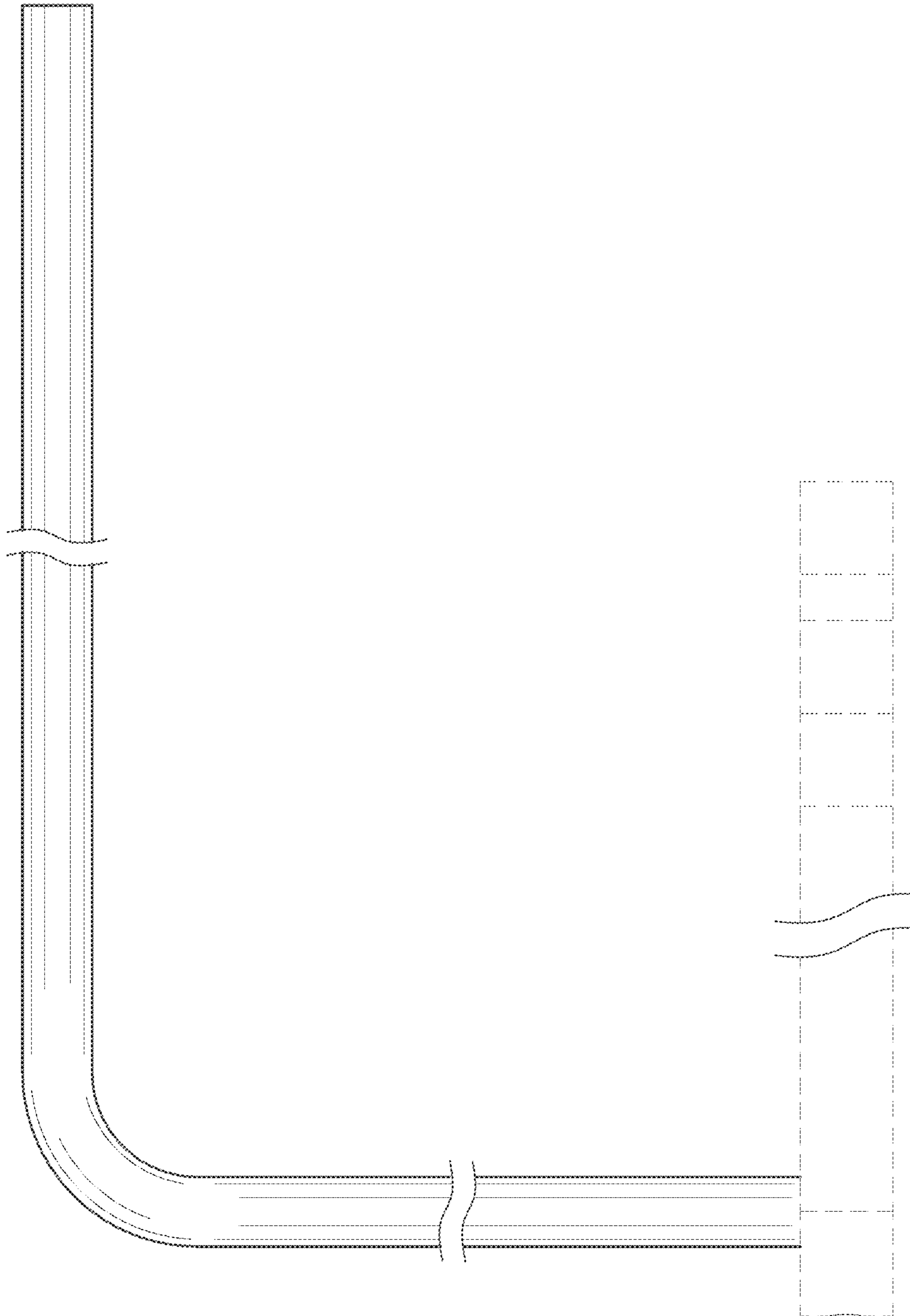


FIG. 6

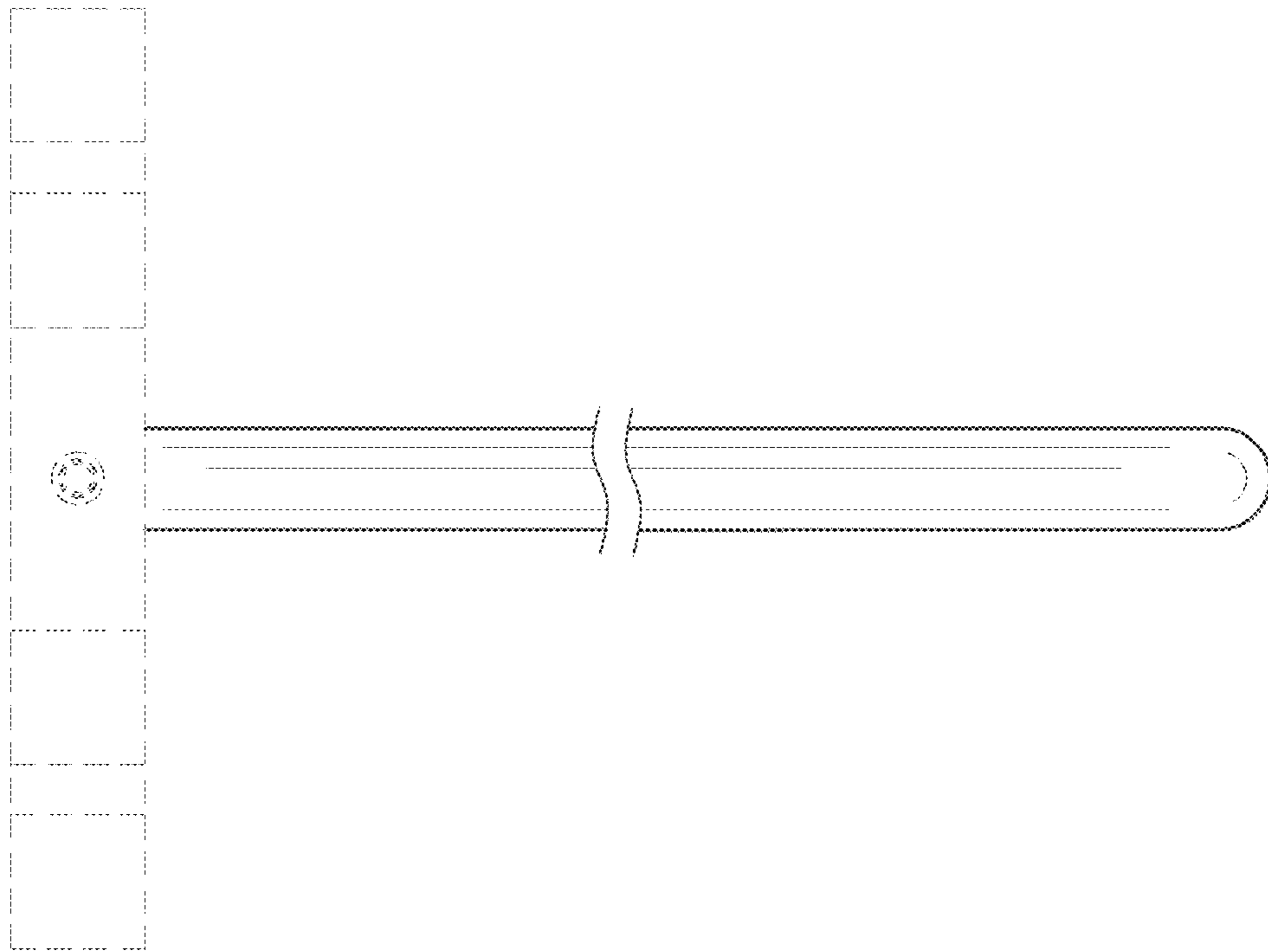


FIG. 7

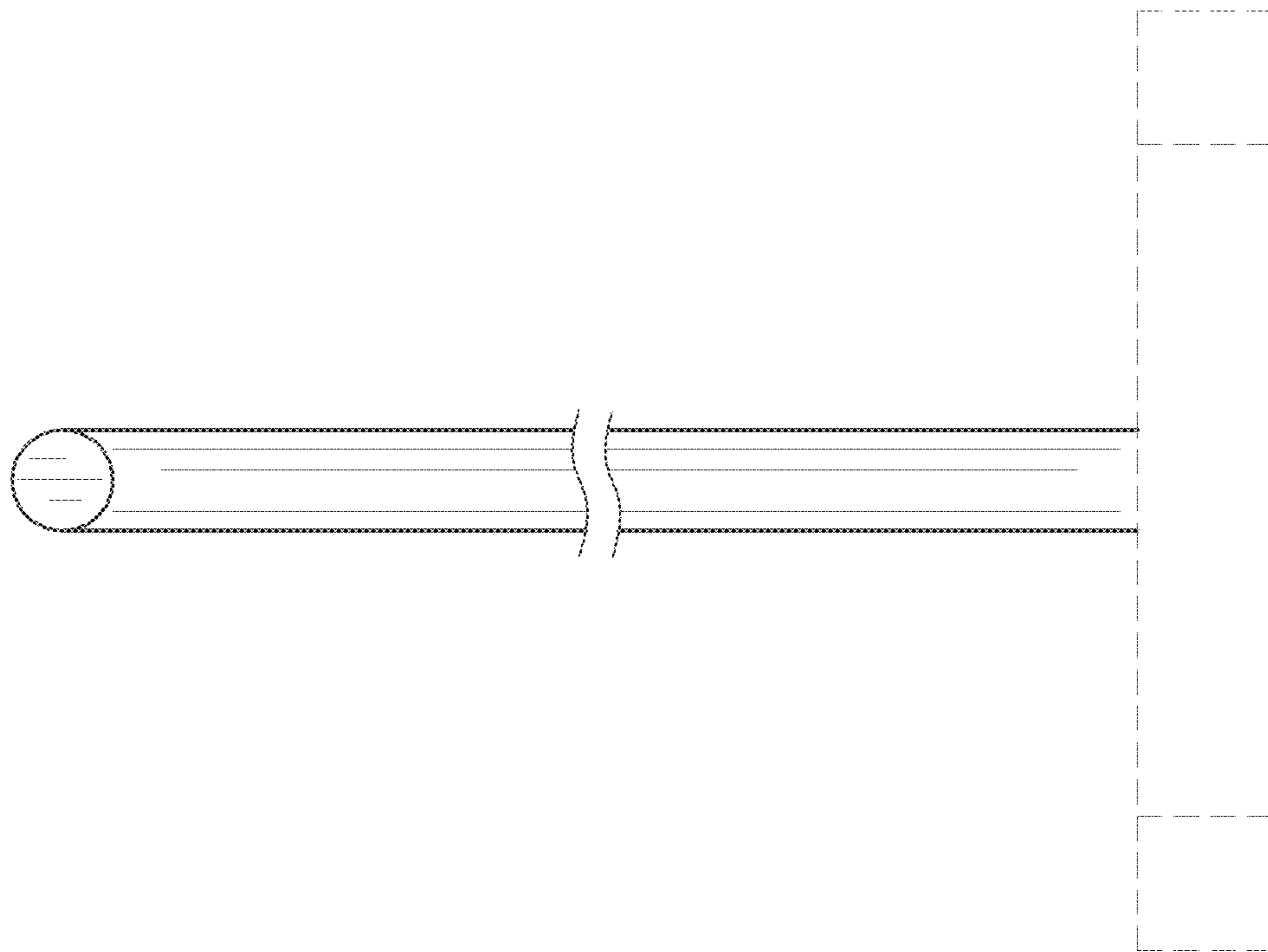


FIG. 8