



US00D916507S

(12) **United States Design Patent** (10) **Patent No.:** **US D916,507 S**  
**Cunningham** (45) **Date of Patent:** **\*\* Apr. 20, 2021**

(54) **AUXILIARY MAGAZINE HOLDER FOR FIREARMS**

(71) Applicant: **Robert S. Cunningham**, Bryant, AR (US)

(72) Inventor: **Robert S. Cunningham**, Bryant, AR (US)

(\*\*) Term: **15 Years**

(21) Appl. No.: **29/669,342**

(22) Filed: **Nov. 7, 2018**

(51) **LOC (13) Cl.** ..... **06-04**

(52) **U.S. Cl.**  
USPC ..... **D6/552**

(58) **Field of Classification Search**  
USPC ..... D6/552; D21/572-573; D22/108; 42/90; 206/3  
CPC ..... F41A 9/70; F41A 9/65; F41A 9/71; F41A 9/68; F41A 9/69; F41A 11/02; F41A 9/61; F41A 9/00; F41A 9/17; F41A 9/23; F41A 9/34; F41A 9/84  
See application file for complete search history.

(56) **References Cited**

**U.S. PATENT DOCUMENTS**

4,115,943	A	9/1978	Musgrave
4,484,404	A	11/1984	Johnson
4,628,627	A	12/1986	Johnson
5,253,442	A	10/1993	Kim
5,279,059	A	1/1994	Howard
5,676,241	A	10/1997	Degoix
6,202,908	B1	3/2001	Groover
6,668,479	B1	12/2003	Obong
7,073,285	B2	7/2006	Obong

8,640,374	B1	2/2014	Reichelt	
8,739,451	B2	6/2014	Nelson	
8,800,195	B2	8/2014	Lafrance	
D762,076	S *	7/2016	Adam	D6/552
D791,901	S *	7/2017	Swan	D22/108
9,927,218	B1 *	3/2018	Schlang	F42B 39/02
D817,026	S *	5/2018	Sammut	D6/552
2014/0311009	A1 *	10/2014	Anglin	F41G 1/34 42/90
2015/0040456	A1	2/2015	Zimmer	
2016/0109208	A1 *	4/2016	Bottrell	F41C 27/00 42/90

\* cited by examiner

*Primary Examiner* — Mark Booker

(74) *Attorney, Agent, or Firm* — Stephen D. Carver

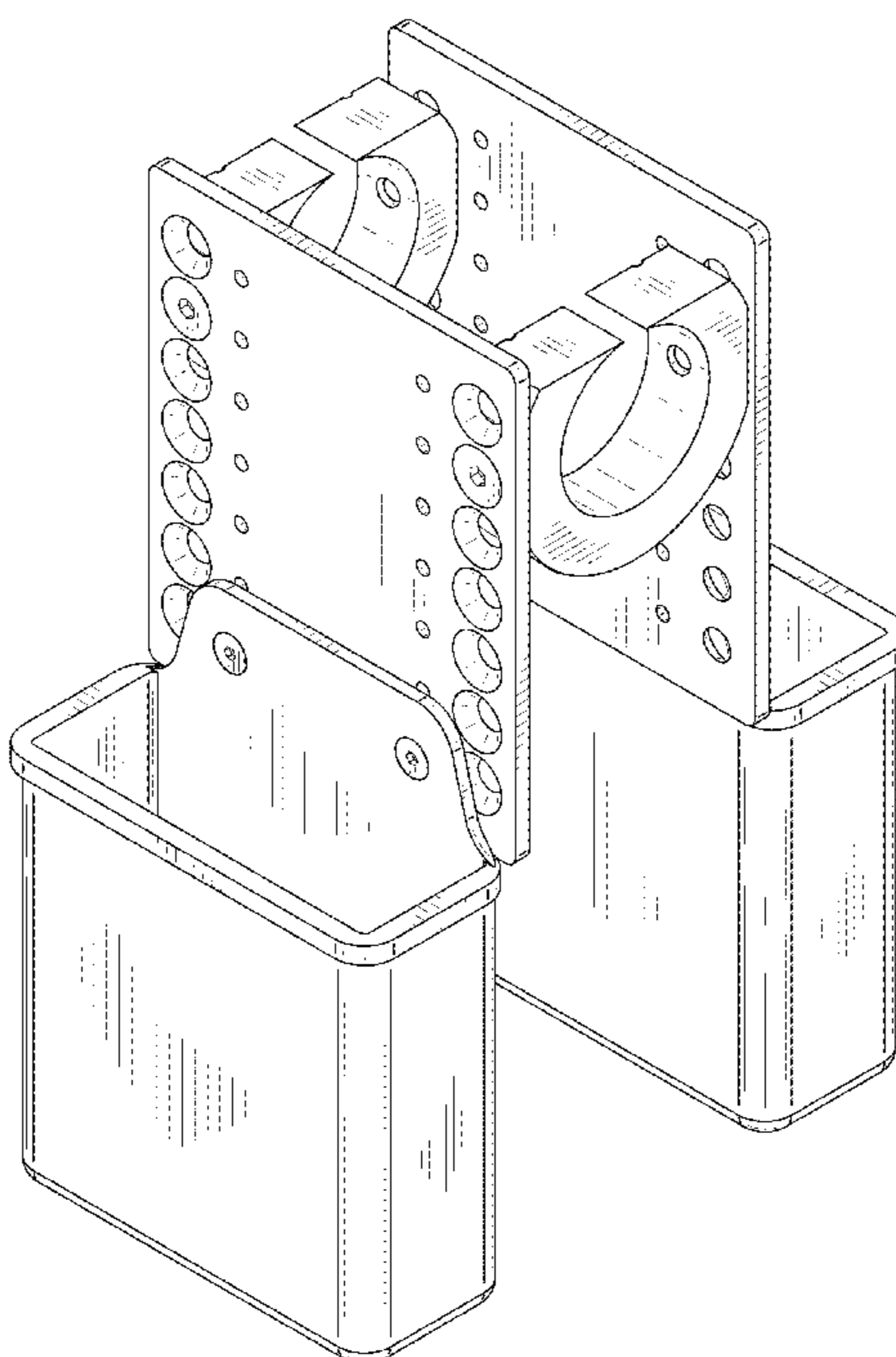
(57) **CLAIM**

The ornamental design for an auxiliary magazine holder for firearms, as shown and described.

**DESCRIPTION**

FIG. 1 is a frontal isometric view of my auxiliary magazine holder for firearms;  
FIG. 2 is a rear isometric view thereof;  
FIG. 3 is a top plan view thereof;  
FIG. 4 is a bottom plan view thereof;  
FIG. 5 is a left side elevational view thereof;  
FIG. 6 is a right elevational view thereof; with dashed lines forming no part of the invention showing a firearm, to illustrate the environment;  
FIG. 7 is a front plan view thereof, with dashed lines forming no part of the invention showing a magazine, to illustrate the environment; and,  
FIG. 8 is a rear plan view thereof.

**1 Claim, 8 Drawing Sheets**



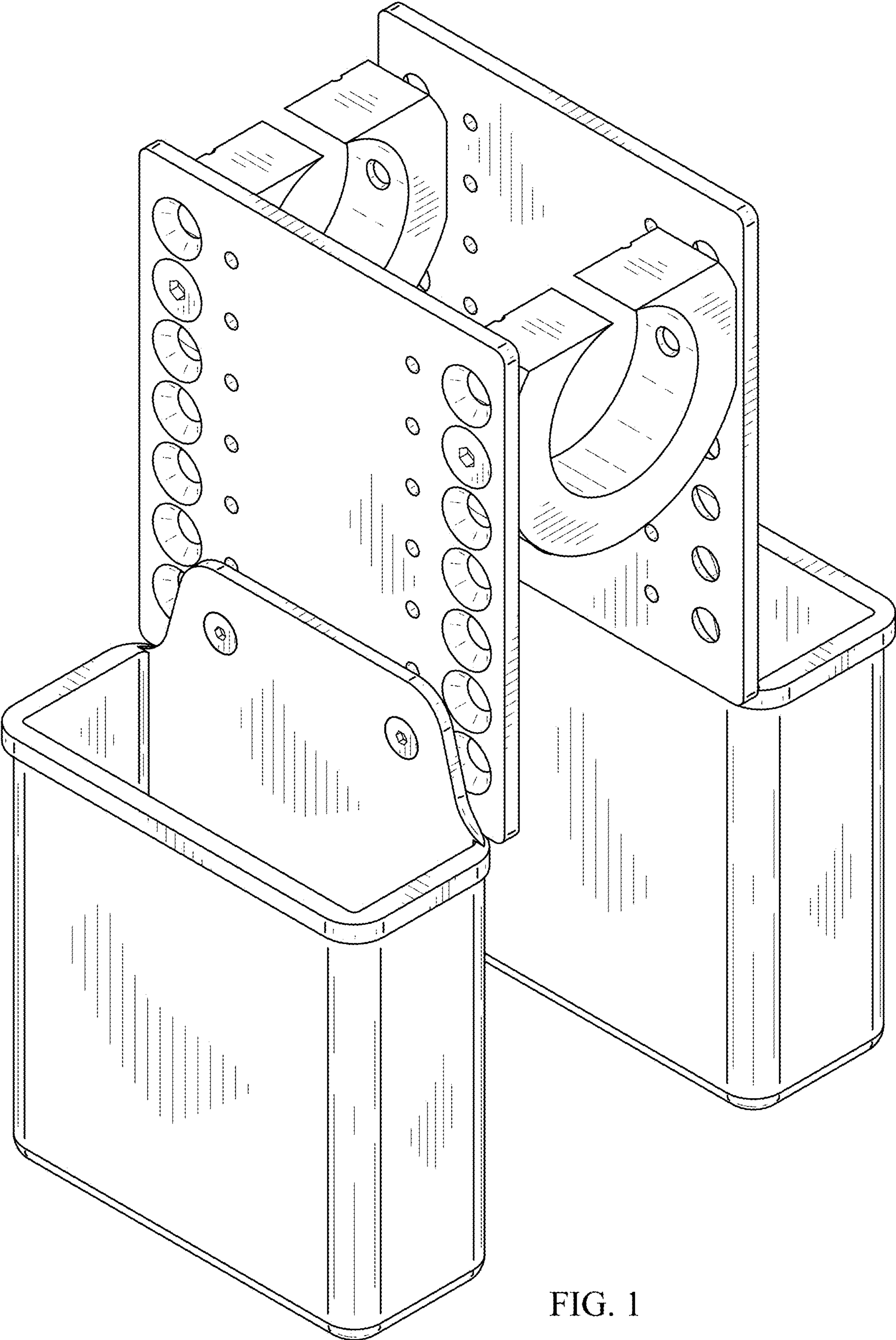


FIG. 1

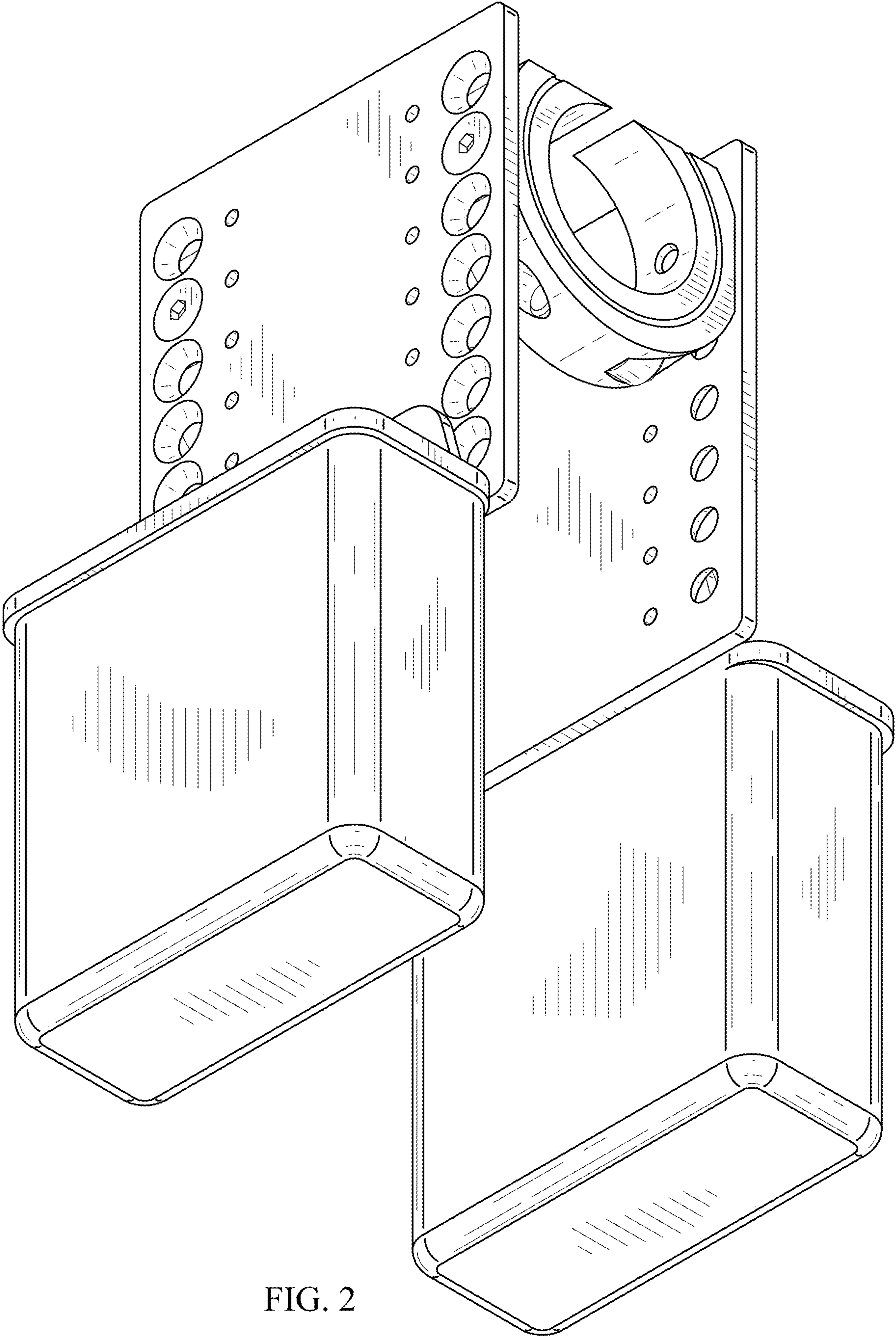


FIG. 2



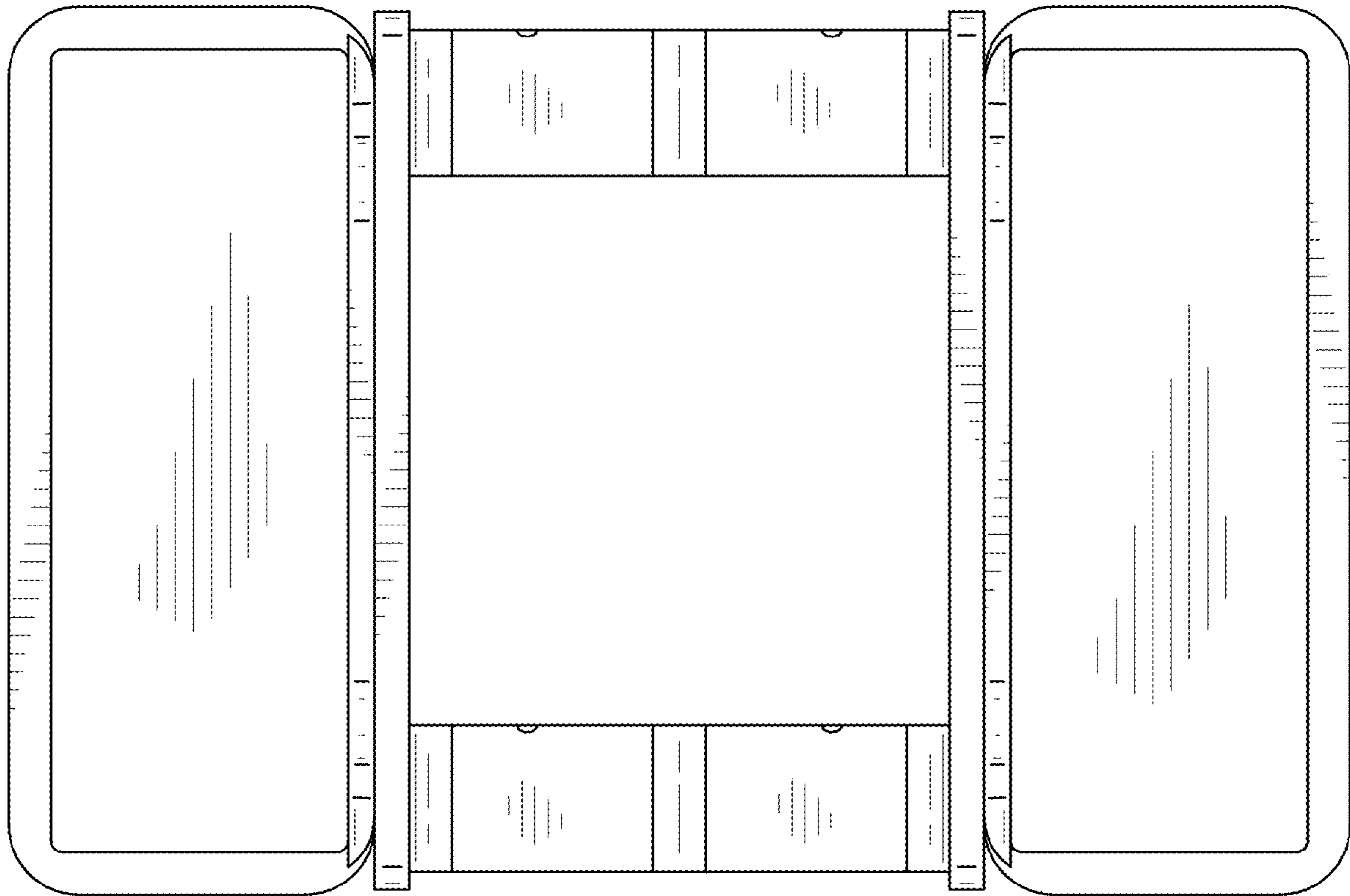


FIG. 3

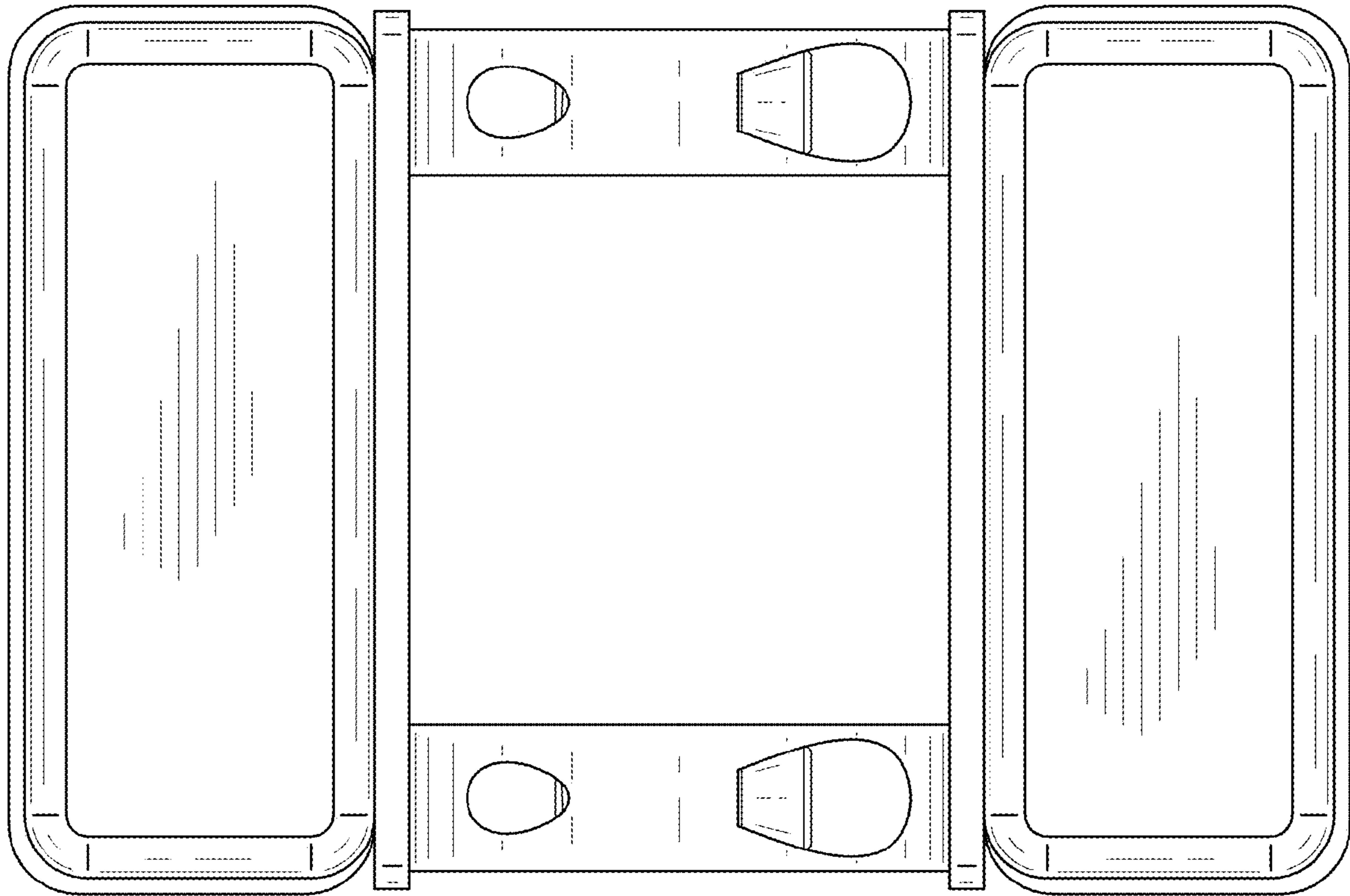


FIG. 4

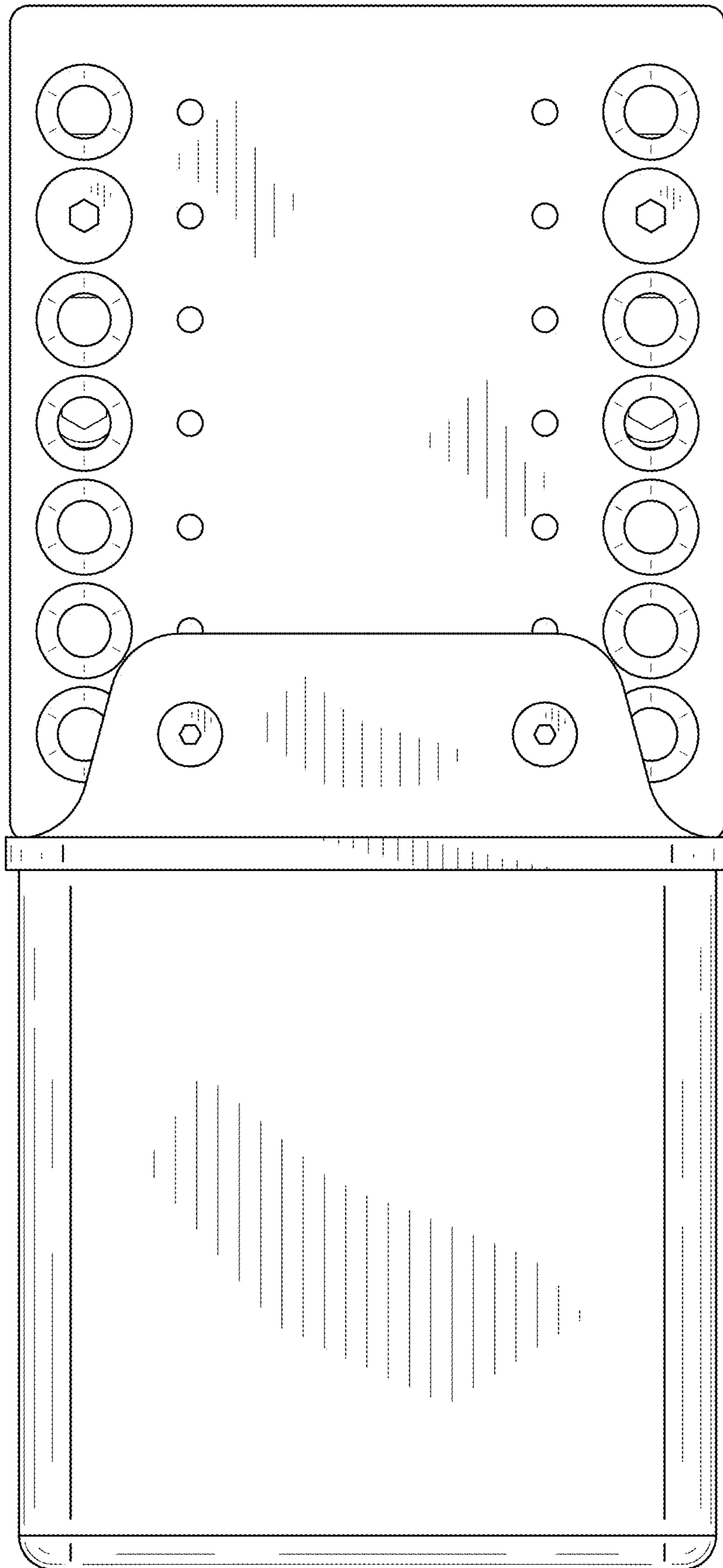


FIG. 5

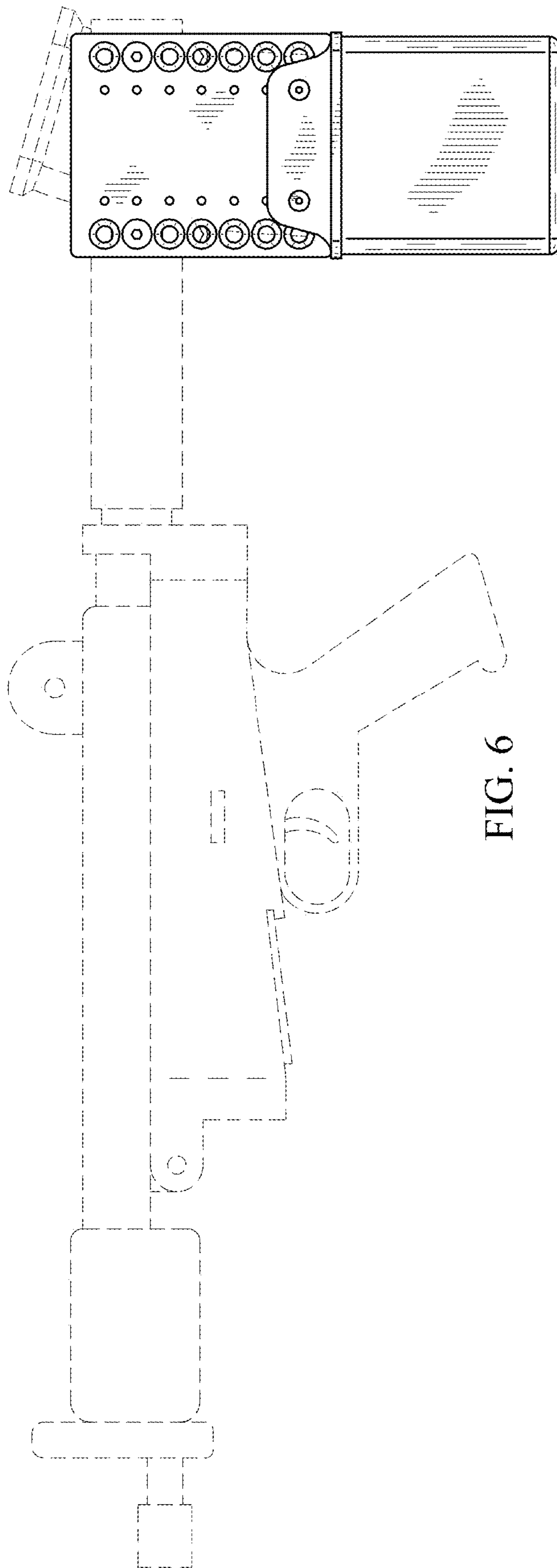


FIG. 6

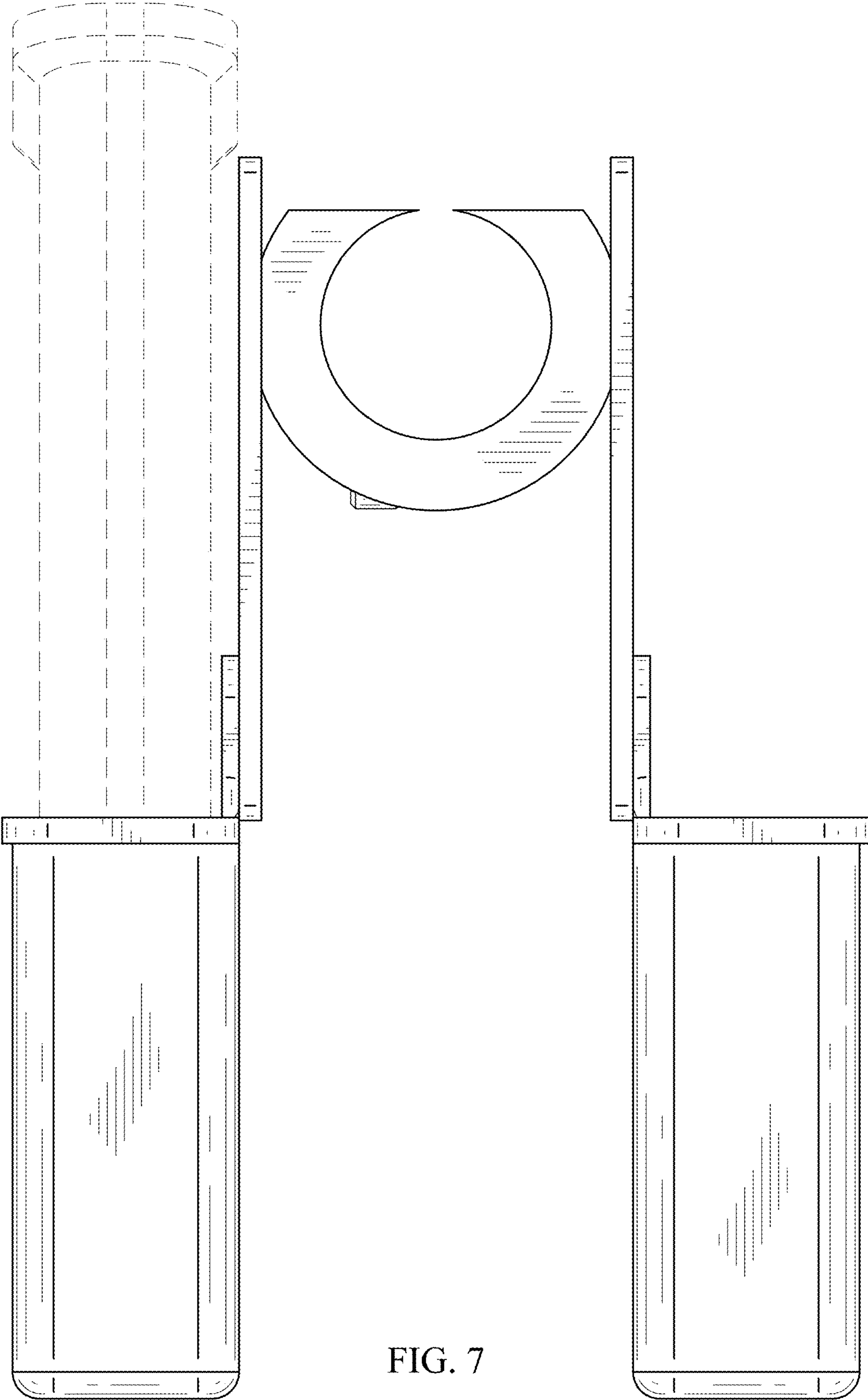


FIG. 7



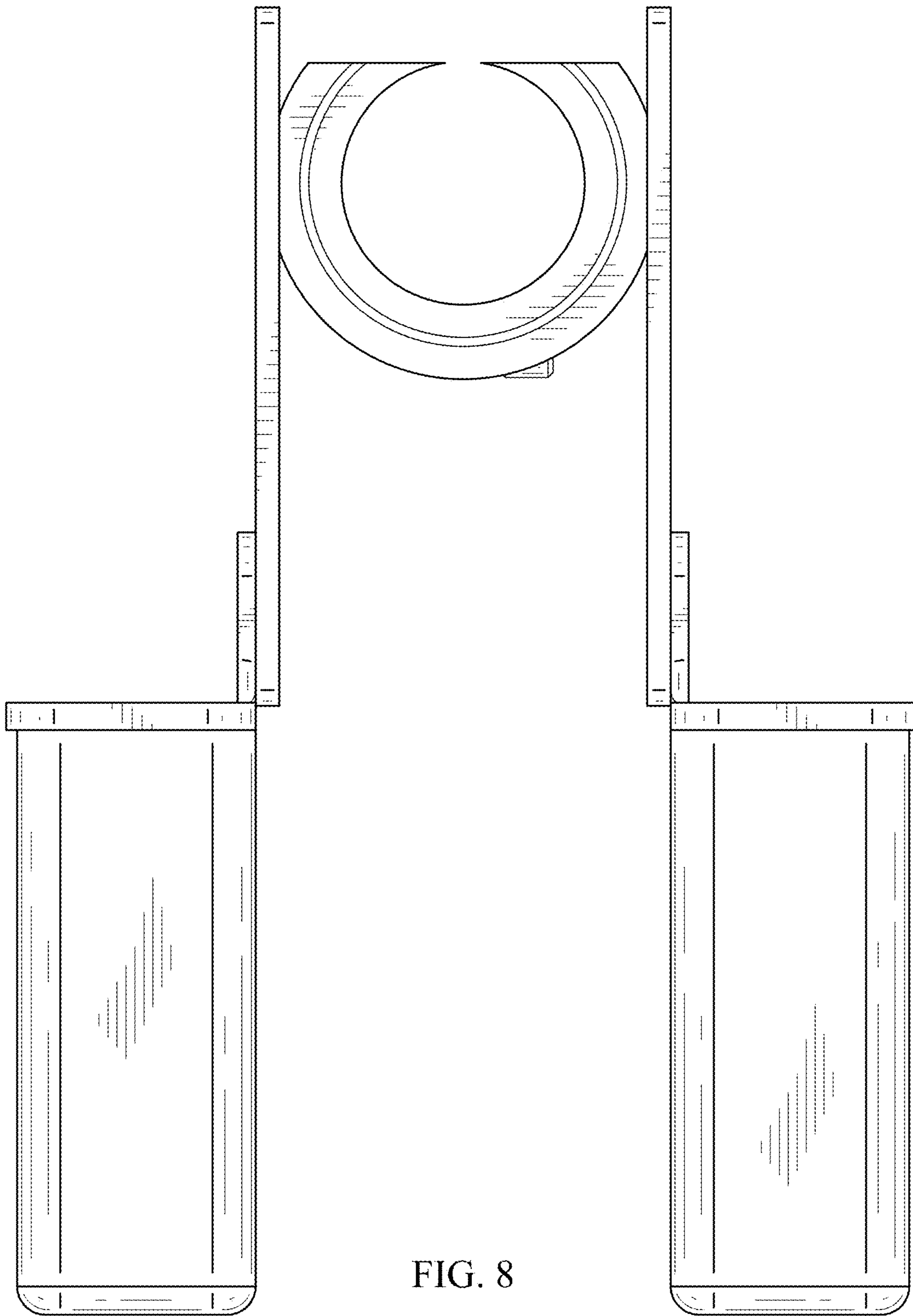


FIG. 8