



US00D916504S

(12) **United States Design Patent**  
**Zhong**

(10) **Patent No.:** **US D916,504 S**

(45) **Date of Patent:** **\*\* Apr. 20, 2021**

(54) **TOWEL RING**

(56) **References Cited**

(71) Applicant: **GUANGZHOU XUNTE NETWORK TECHNOLOGY CO., LTD,**  
Guangzhou (CN)

(72) Inventor: **Linqiang Zhong,** Guangzhou (CN)

(73) Assignee: **GUANGZHOU XUNTE NETWORK TECHNOLOGY CO., LTD,**  
Guangzhou (CN)

(\*\*) Term: **15 Years**

(21) Appl. No.: **29/741,328**

(22) Filed: **Jul. 11, 2020**

(51) **LOC (13) Cl.** ..... **06-04**

(52) **U.S. Cl.**  
USPC ..... **D6/546**

(58) **Field of Classification Search**  
USPC ..... D6/546, 520, 524, 528-531, 534, 550;  
211/13.1, 60.1, 65, 66, 70.6, 89.01;  
242/570, 590, 595-598; 248/49, 175,  
248/176.1, 200, 201, 205.1, 251, 302,  
248/309.1, 315; D8/306  
CPC ..... A47K 5/02; A47K 10/10

See application file for complete search history.

U.S. PATENT DOCUMENTS

D441,239 S *	5/2001	Moore	.....	D6/546
D441,582 S *	5/2001	Moore	.....	D6/546
D450,509 S *	11/2001	Gottwald	.....	D6/546
D454,457 S	3/2002	Ou-Young		
D477,735 S	7/2003	Solowiej		
D484,722 S *	1/2004	Goodman	.....	D6/546
D600,960 S *	9/2009	Krumpe	.....	D6/546

\* cited by examiner

*Primary Examiner* — Mark Booker

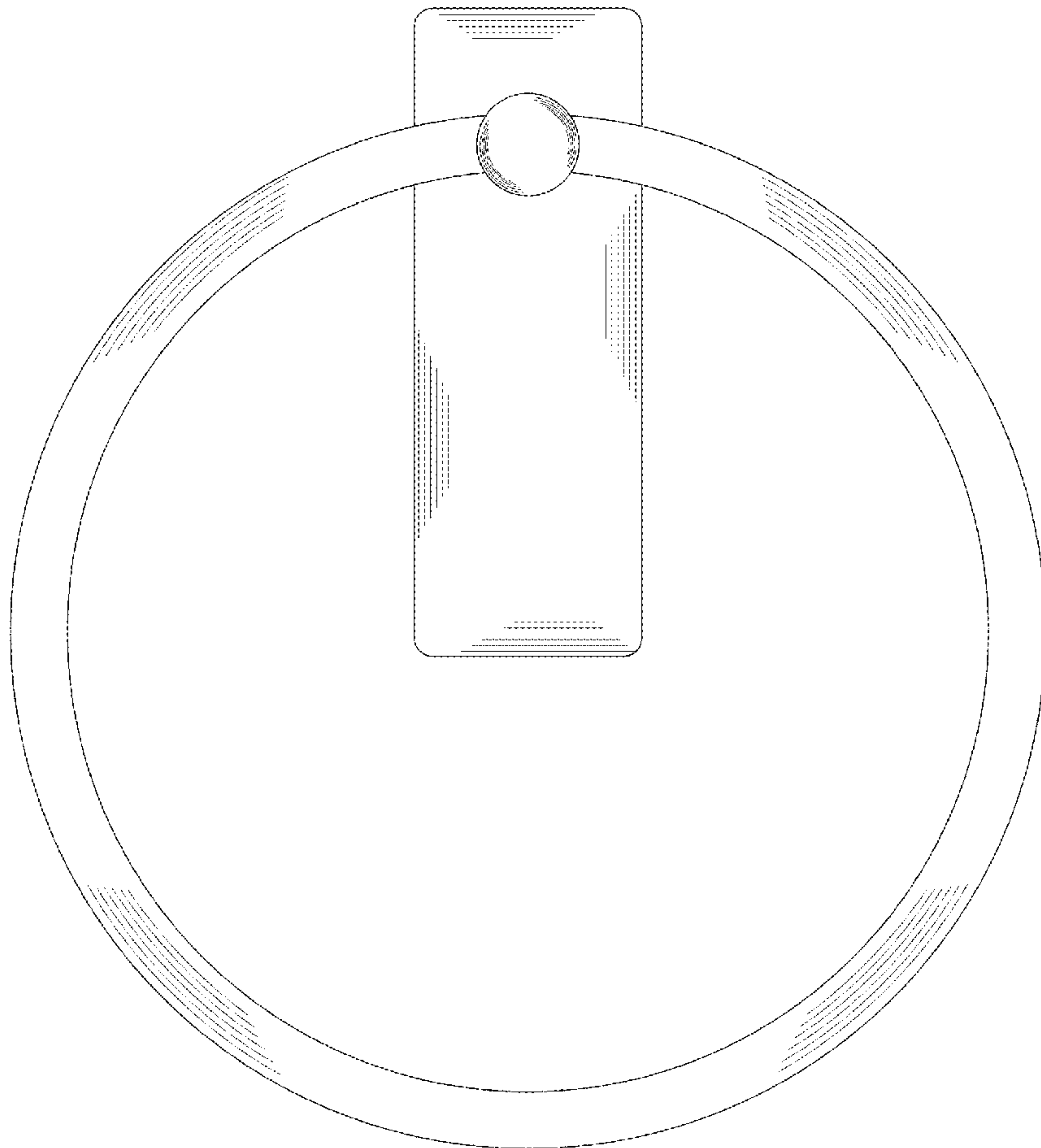
(57) **CLAIM**

The ornamental design for a towel ring, as shown and described.

**DESCRIPTION**

FIG. 1 is a front elevational view of a towel ring showing my new design;  
FIG. 2 is a rear elevational view thereof;  
FIG. 3 is a left side elevational view thereof;  
FIG. 4 is a right side elevational view thereof;  
FIG. 5 is a top plan view thereof;  
FIG. 6 is a bottom plan view thereof; and,  
FIG. 7 is a perspective view thereof.

**1 Claim, 7 Drawing Sheets**



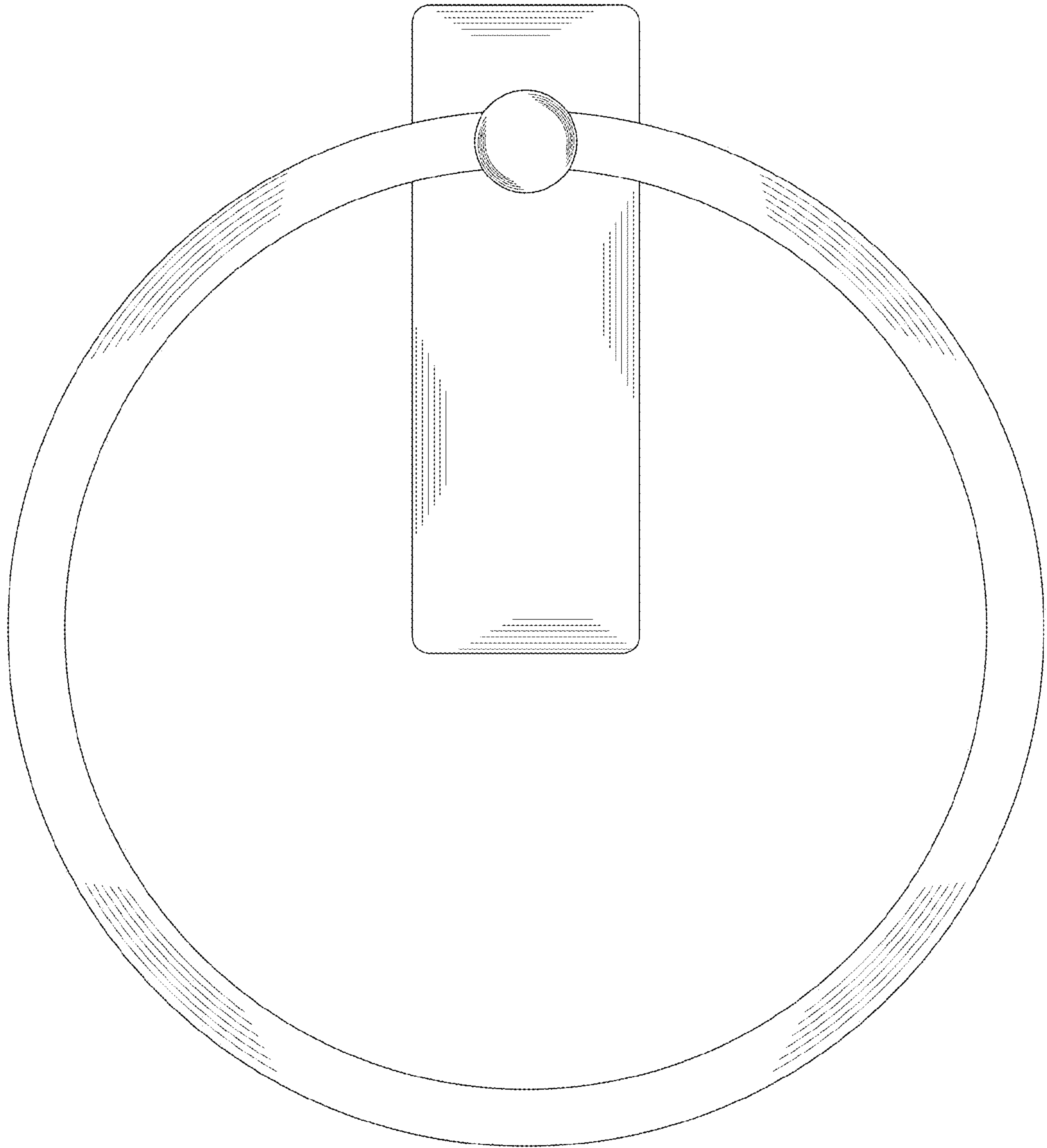


FIG. 1

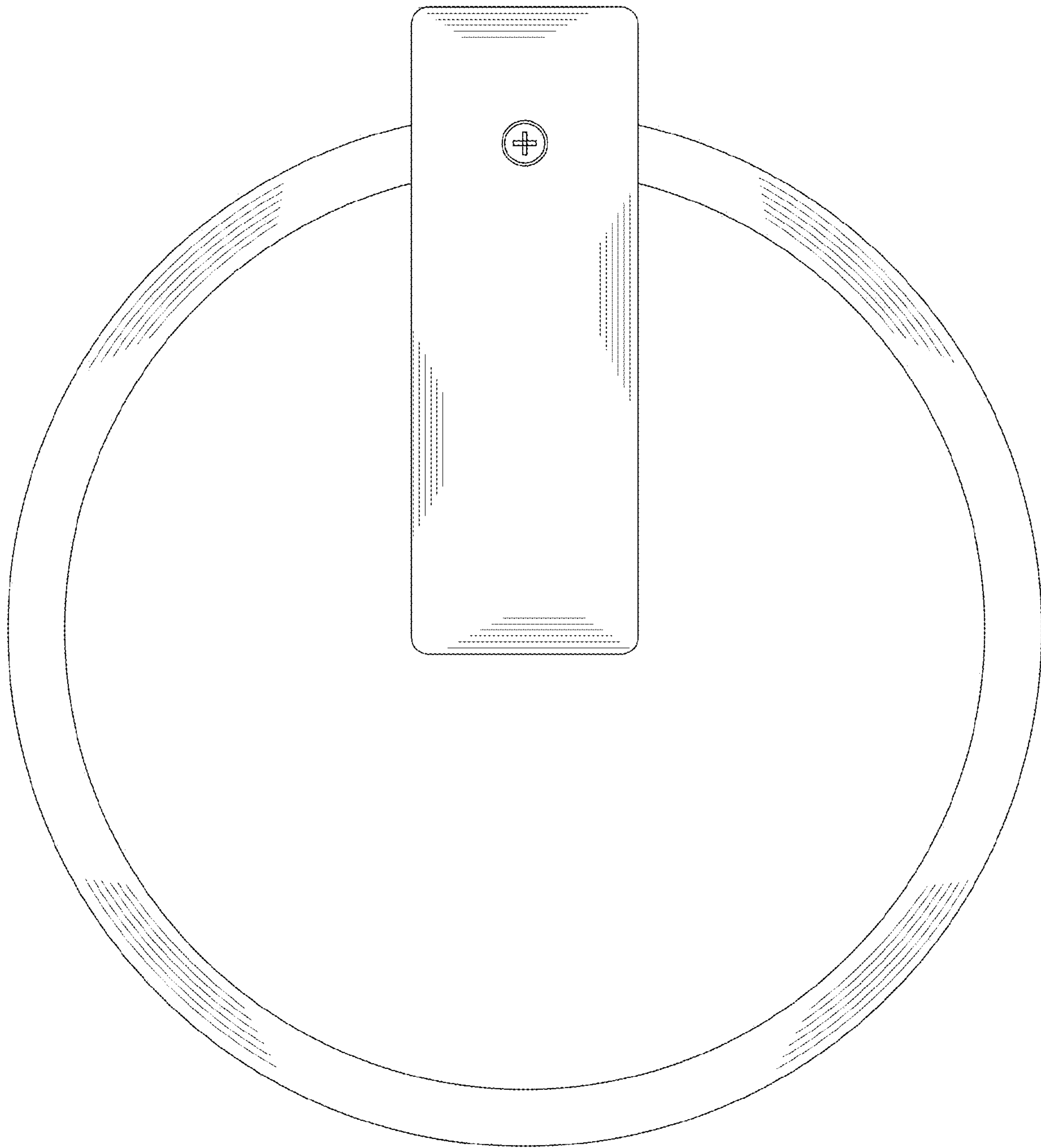


FIG. 2

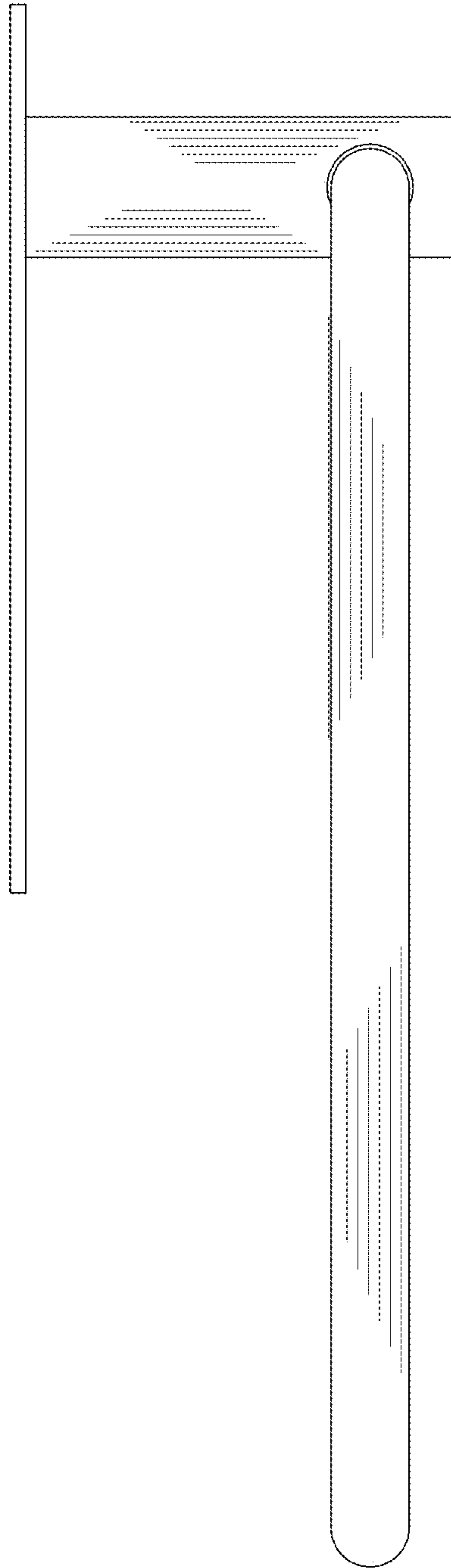


FIG. 3

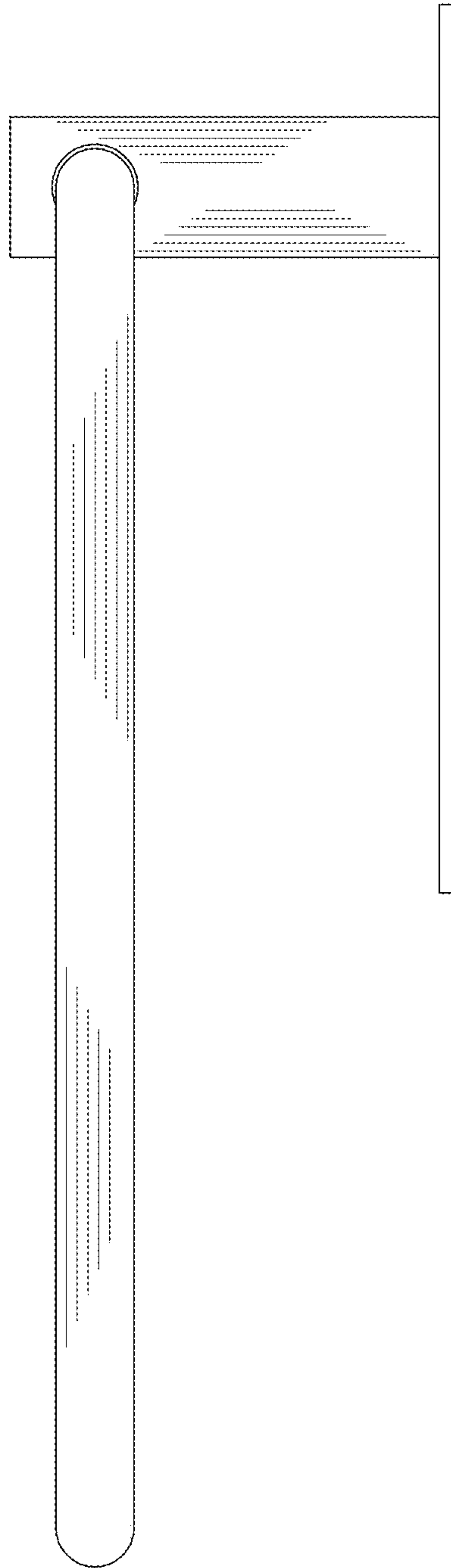


FIG. 4

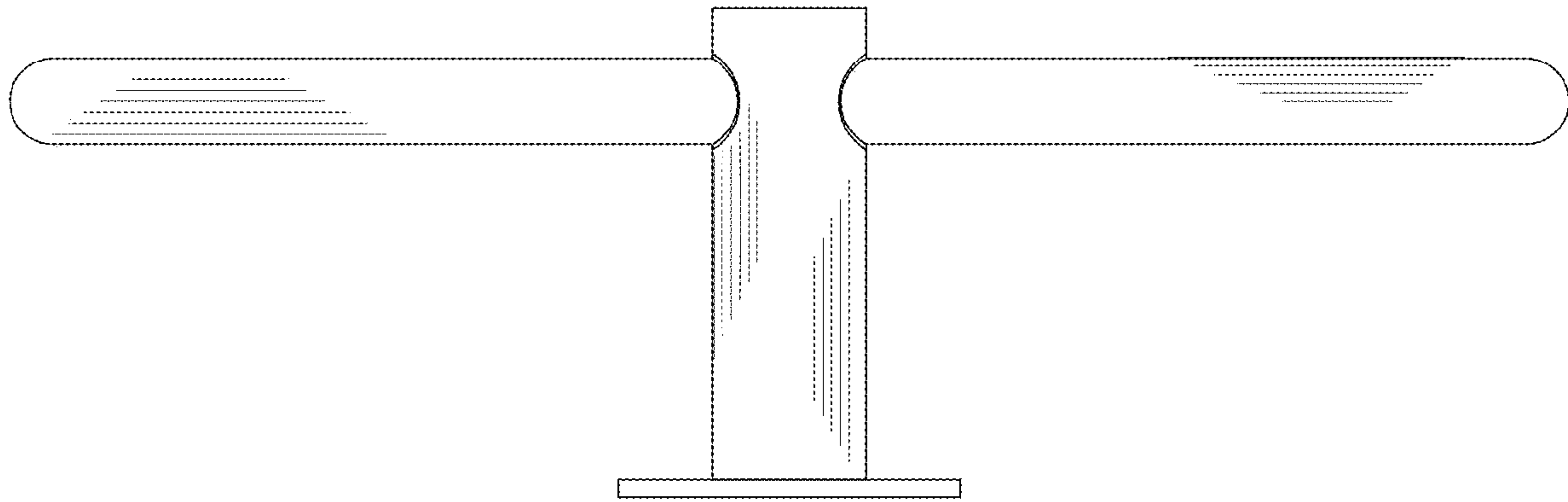


FIG. 5

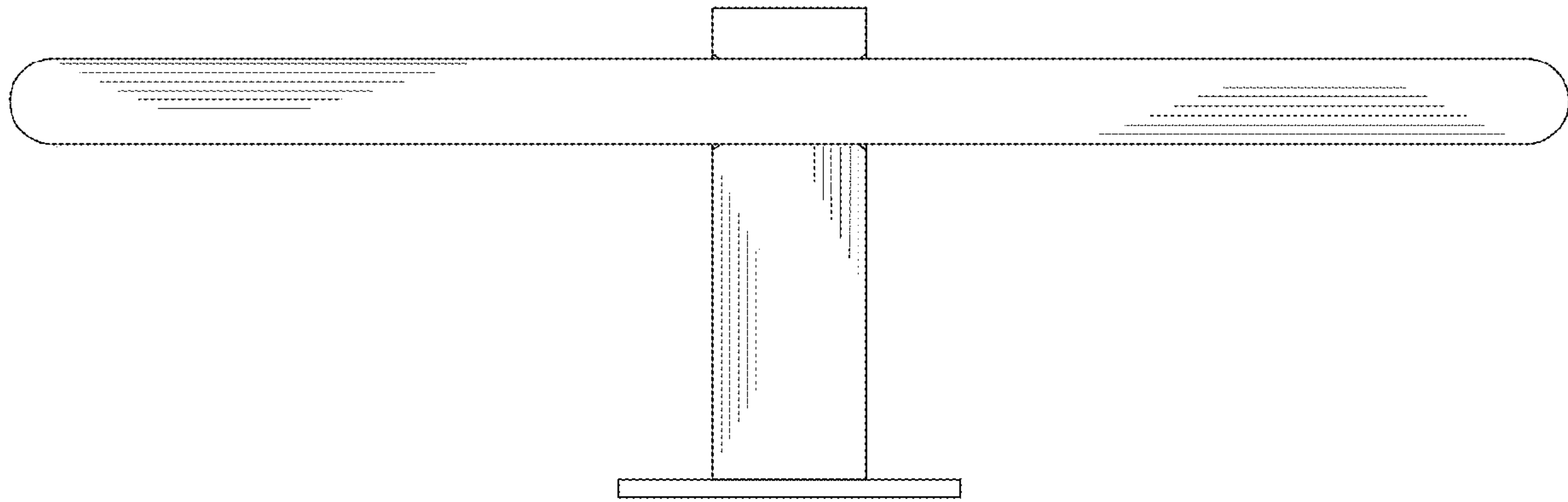


FIG. 6

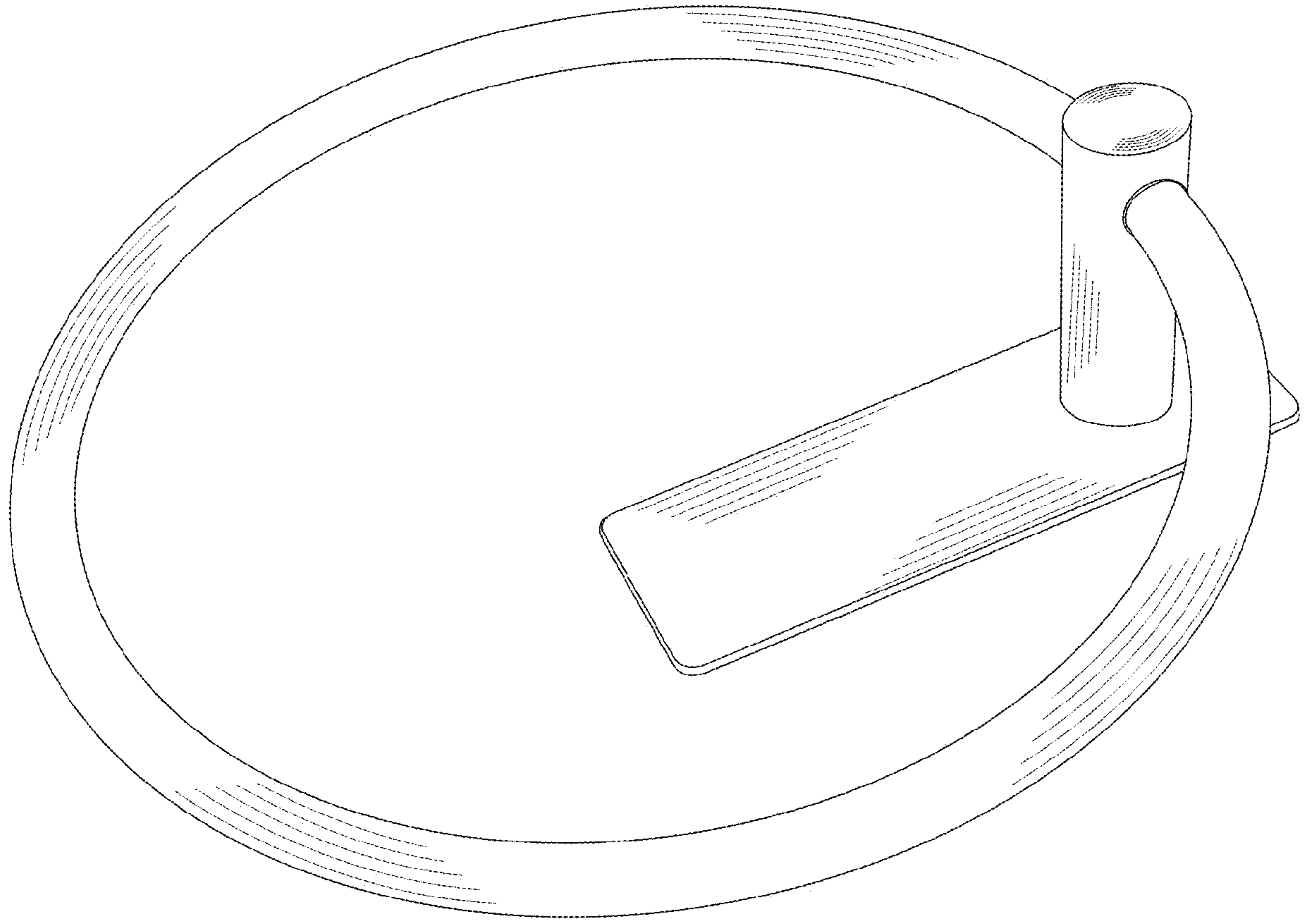


FIG. 7