



US00D916503S

(12) **United States Design Patent** (10) **Patent No.:** **US D916,503 S**  
**Waddick** (45) **Date of Patent:** **\*\* Apr. 20, 2021**

(54) **FLUID DISPENSING CONTAINER ASSEMBLY**

D829,465 S \* 10/2018 Yang ..... D6/542  
D869,193 S \* 12/2019 Peterson ..... D6/542  
D881,627 S \* 4/2020 Rittenburg ..... D7/313

(71) Applicant: **Bact-Off!, Inc.**, Palos Heights, IL (US)

\* cited by examiner

(72) Inventor: **James Waddick**, Palos Heights, IL (US)

*Primary Examiner* — Mark Booker

(74) *Attorney, Agent, or Firm* — Greenberg Traurig, LLP

(73) Assignee: **Bact-Off!, Inc.**, Palos Heights, IL (US)

(\*\*) Term: **15 Years**

(57) **CLAIM**

The ornamental design for a fluid dispensing container assembly, as shown and described.

(21) Appl. No.: **29/690,331**

(22) Filed: **May 7, 2019**

(51) **LOC (13) Cl.** ..... **23-02**

(52) **U.S. Cl.**

USPC ..... **D6/545**

(58) **Field of Classification Search**

USPC ..... D6/545, 515–523, 542–544; D7/300, D7/304, 306, 309, 311, 305, 308, 313; D9/291, 448, 449, 682, 688, 690; D23/355–369; 211/13.1, 45; 221/14, 26, 221/33, 173, 146.3, 282–283, 628, 251, 221/181.1, 181.3; 222/173, 180; D26/9, D26/14, 17, 22, 24

CPC ..... A47K 5/1211; A47K 5/12; A47K 5/1207; A47K 5/122; A47K 5/1202; A47K 5/14; A47K 7/04; B67D 1/001; B67D 1/06

See application file for complete search history.

**DESCRIPTION**

FIG. 1 is a perspective view of a fluid dispensing container assembly, comprising a fluid dispensing container and a cradle, having my design;

FIG. 2 is a front elevational view of the fluid dispensing container assembly of FIG. 1;

FIG. 3 is a rear elevational view of the fluid dispensing container assembly of FIG. 1;

FIG. 4 is a left-side elevational view of the fluid dispensing container assembly of FIG. 1;

FIG. 5 is a right-side elevational view of the fluid dispensing container assembly of FIG. 1;

FIG. 6 is a top elevational view of the fluid dispensing container assembly of FIG. 1;

FIG. 7 is a bottom elevational view of the fluid dispensing container assembly of FIG. 1; and,

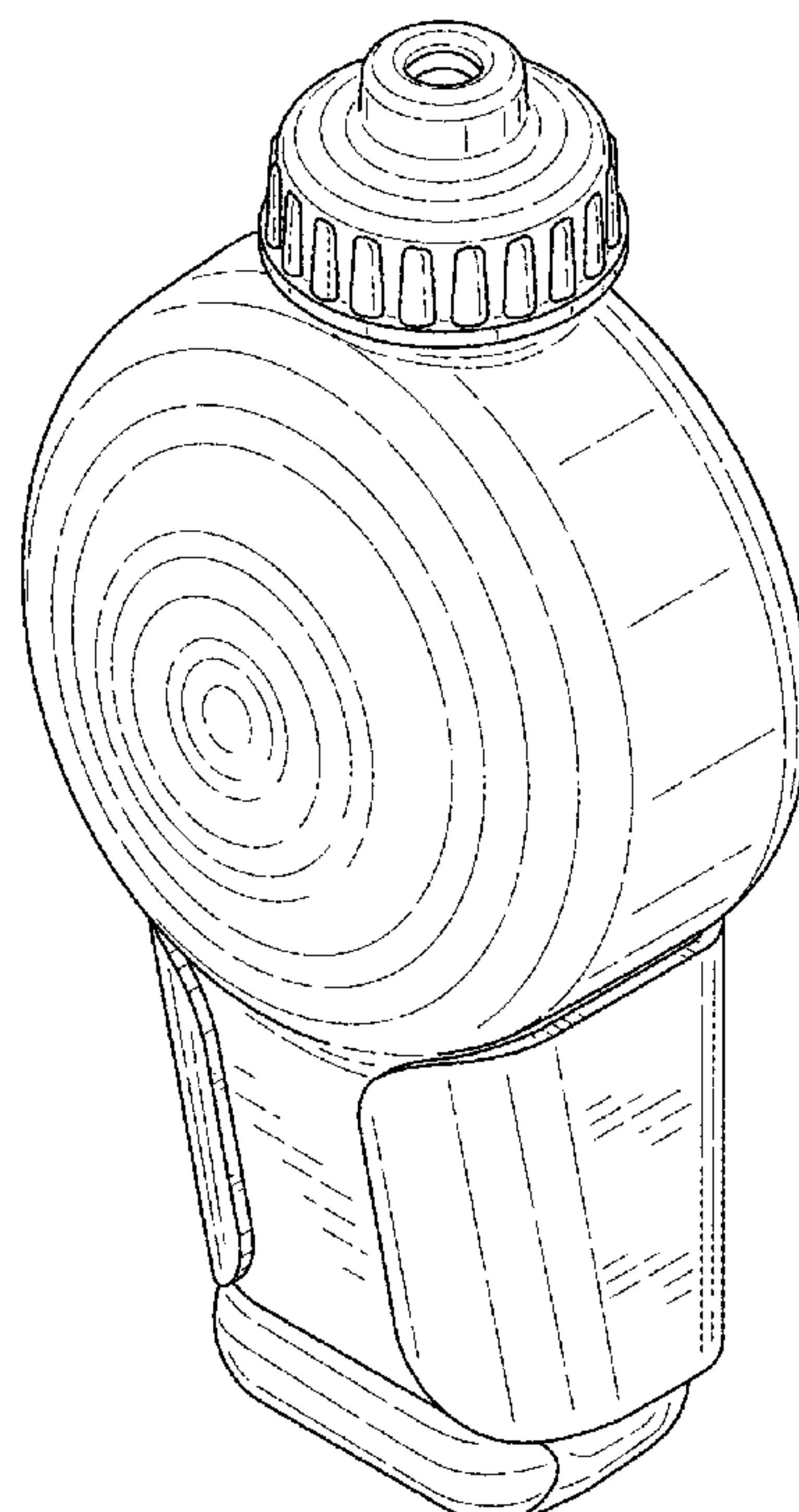
FIG. 8 is a perspective view of the fluid dispensing container assembly of my design, illustrating the fluid dispensing container and the cradle separated from each other.

(56) **References Cited**

**U.S. PATENT DOCUMENTS**

D690,132 S \* 9/2013 Waddick ..... D6/545  
D787,856 S \* 5/2017 Okuno-Jones ..... D6/545

**1 Claim, 8 Drawing Sheets**



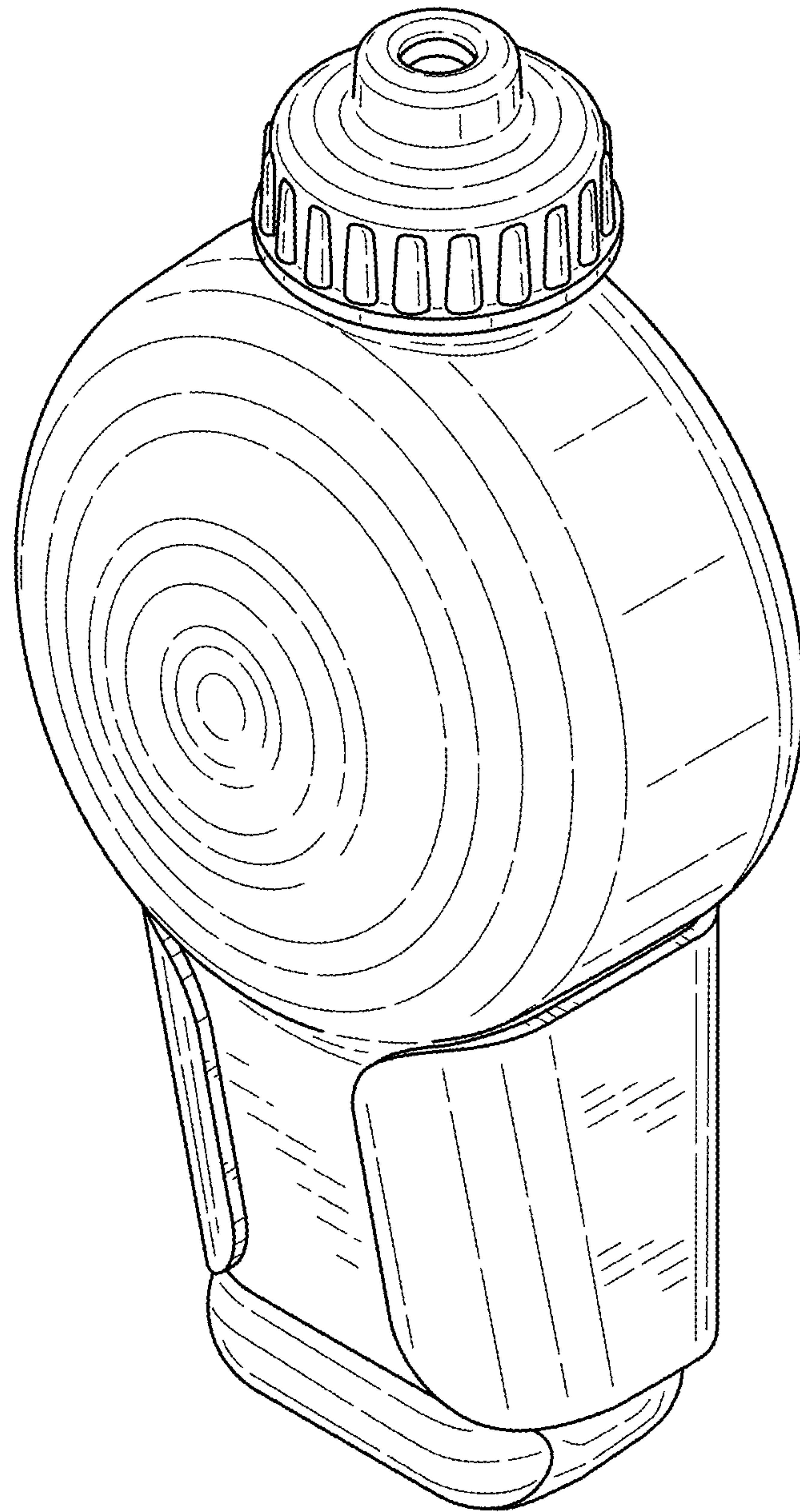


FIG. 1

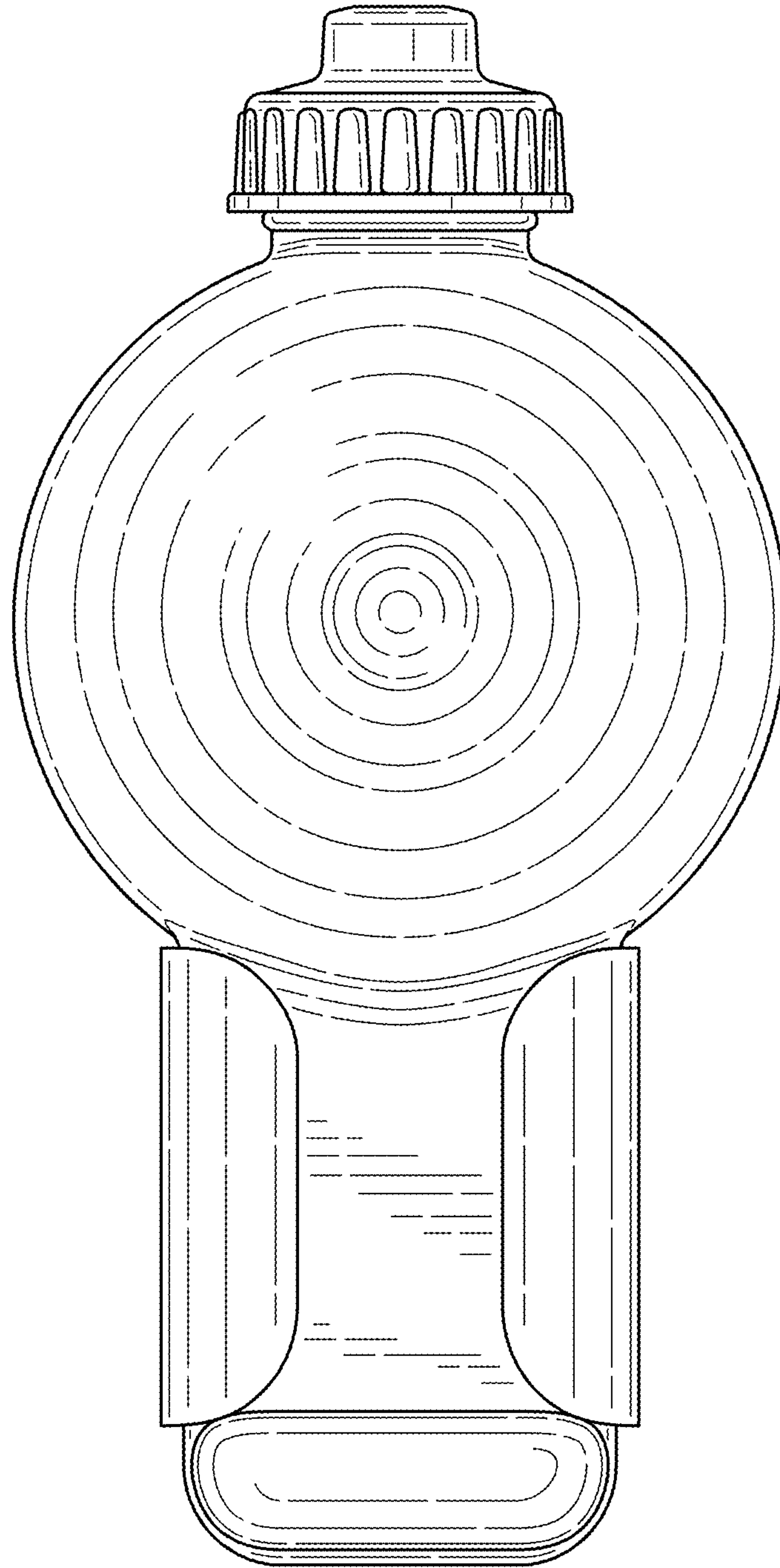


FIG. 2

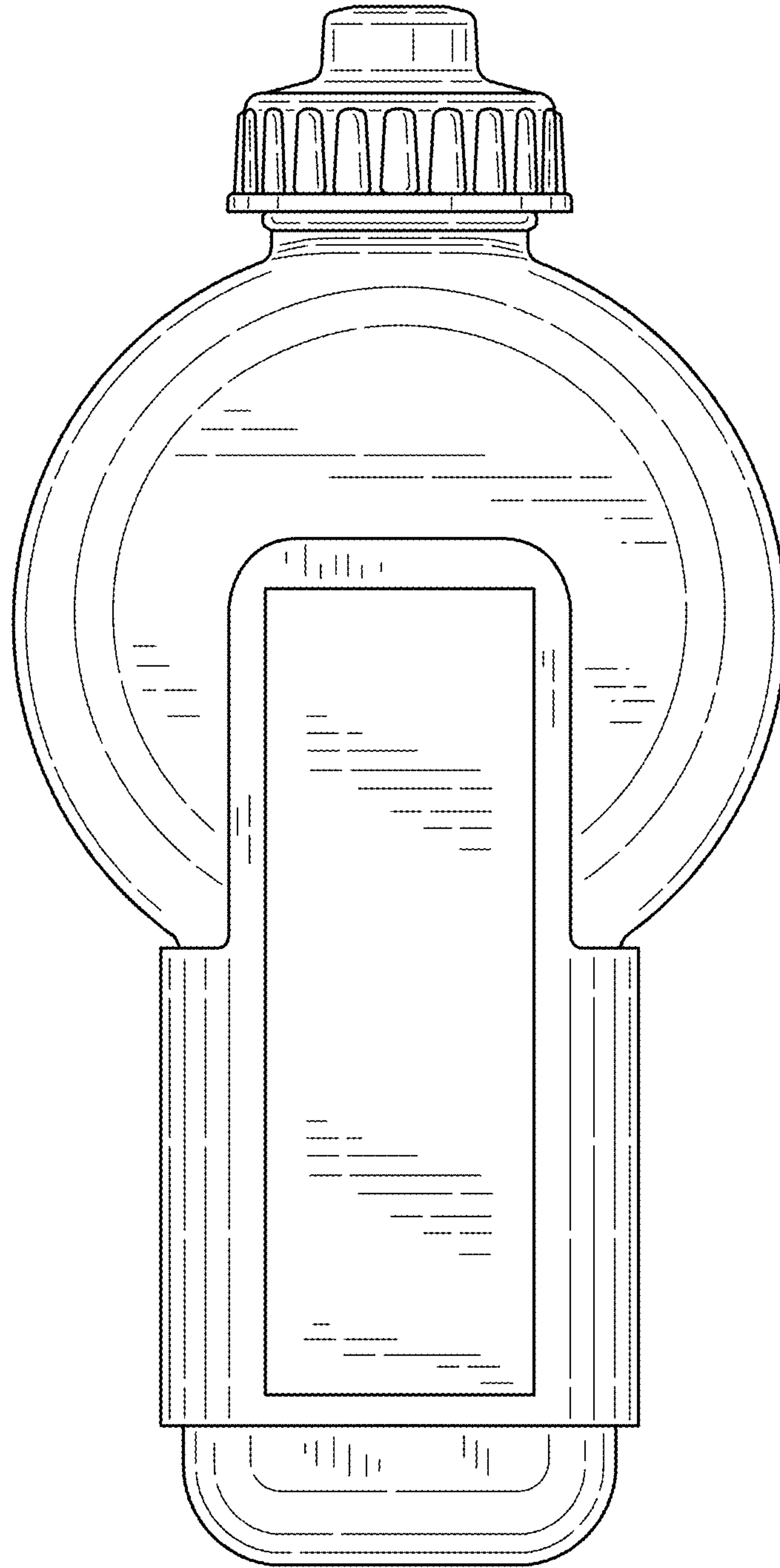


FIG.3



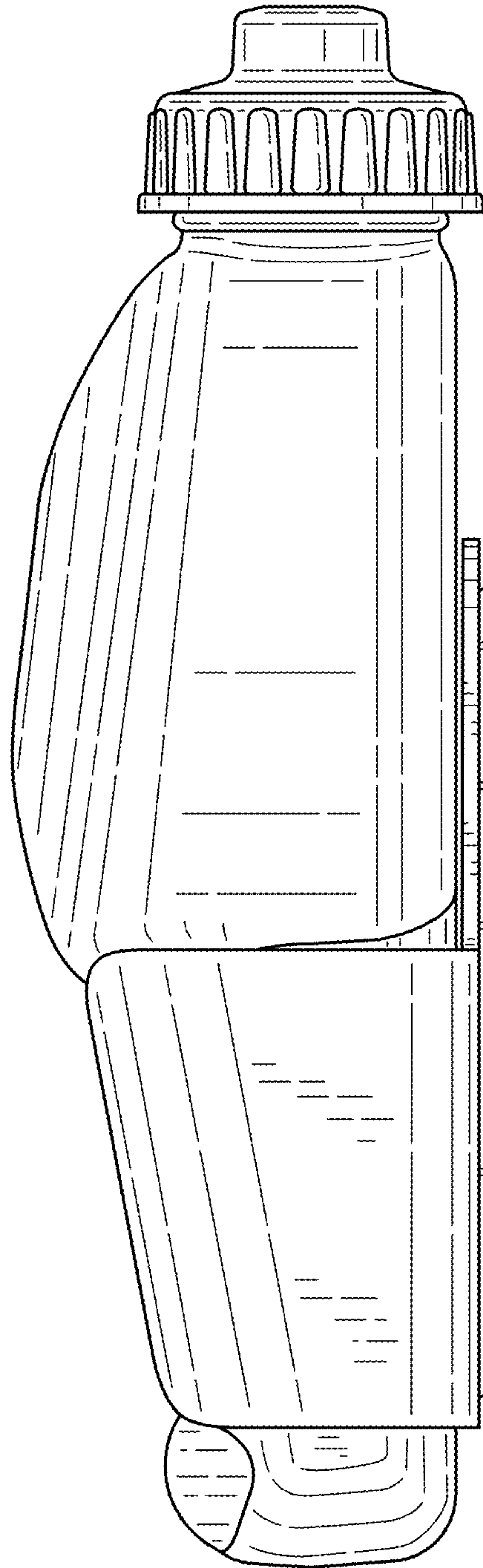


FIG. 4

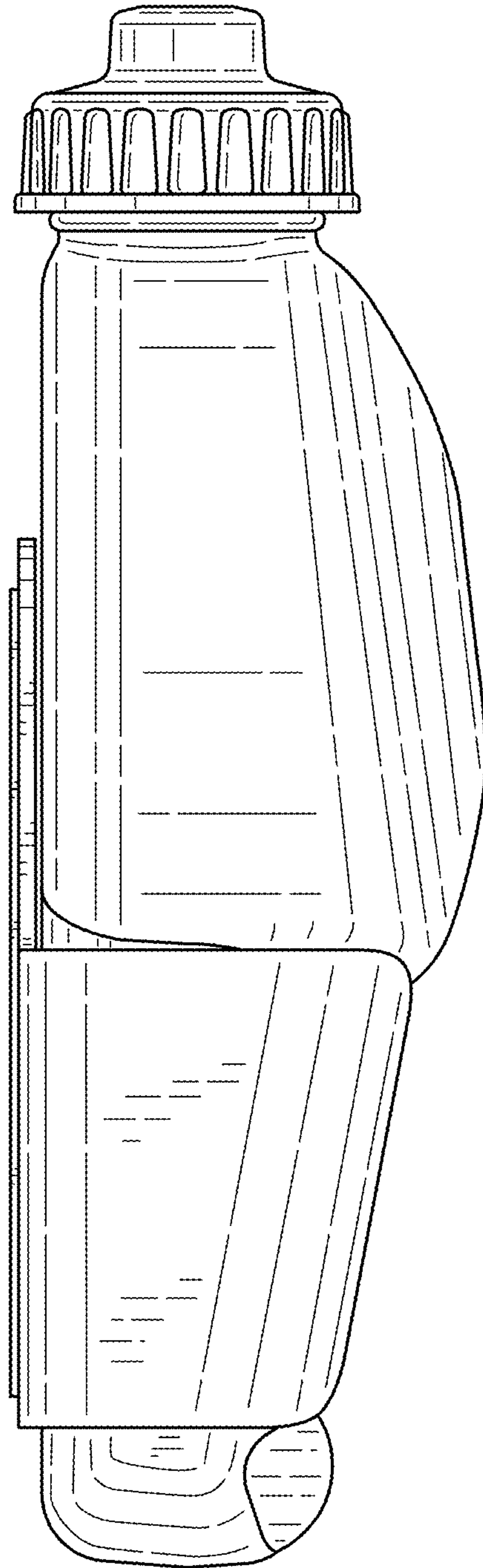


FIG.5

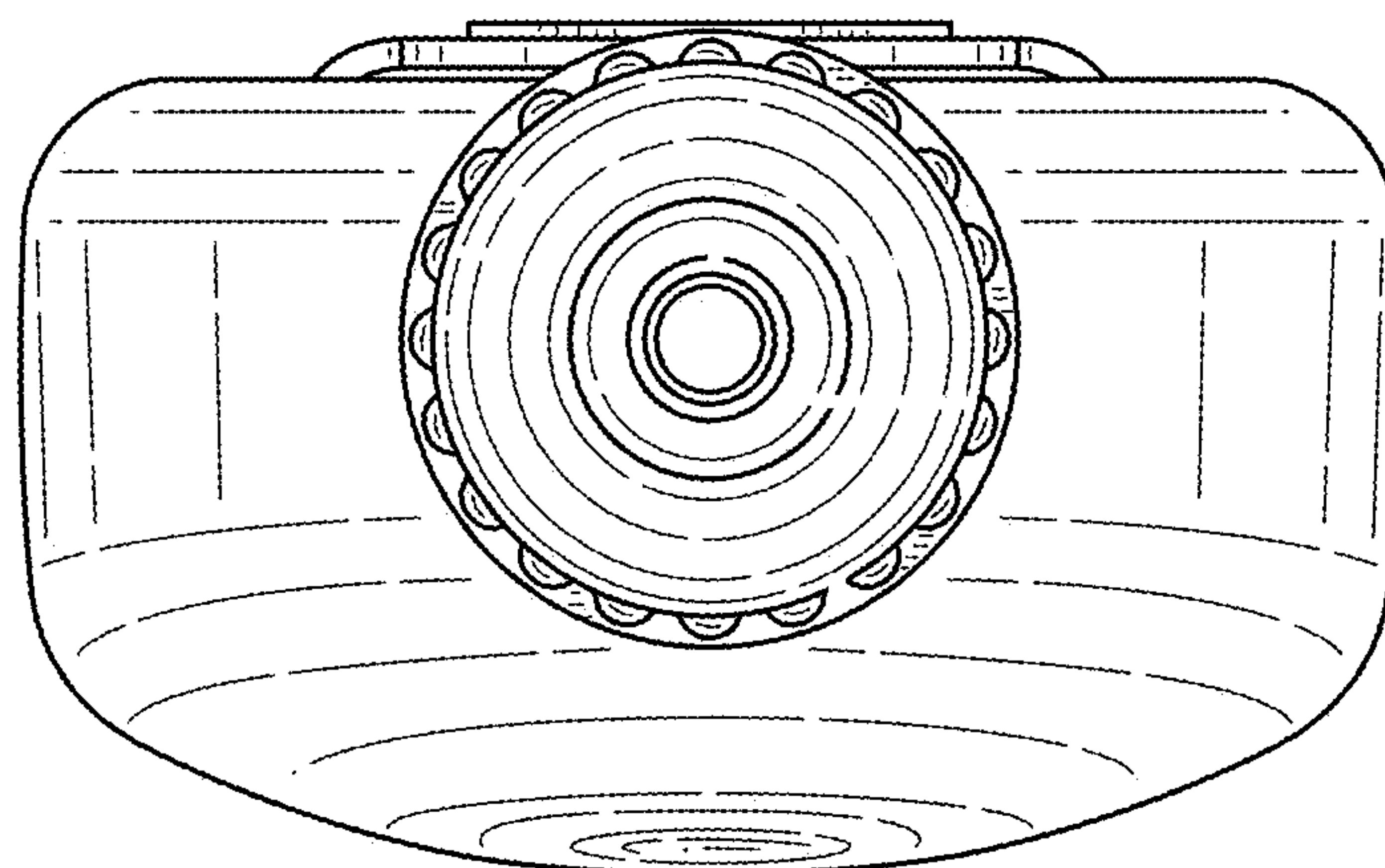


FIG.6

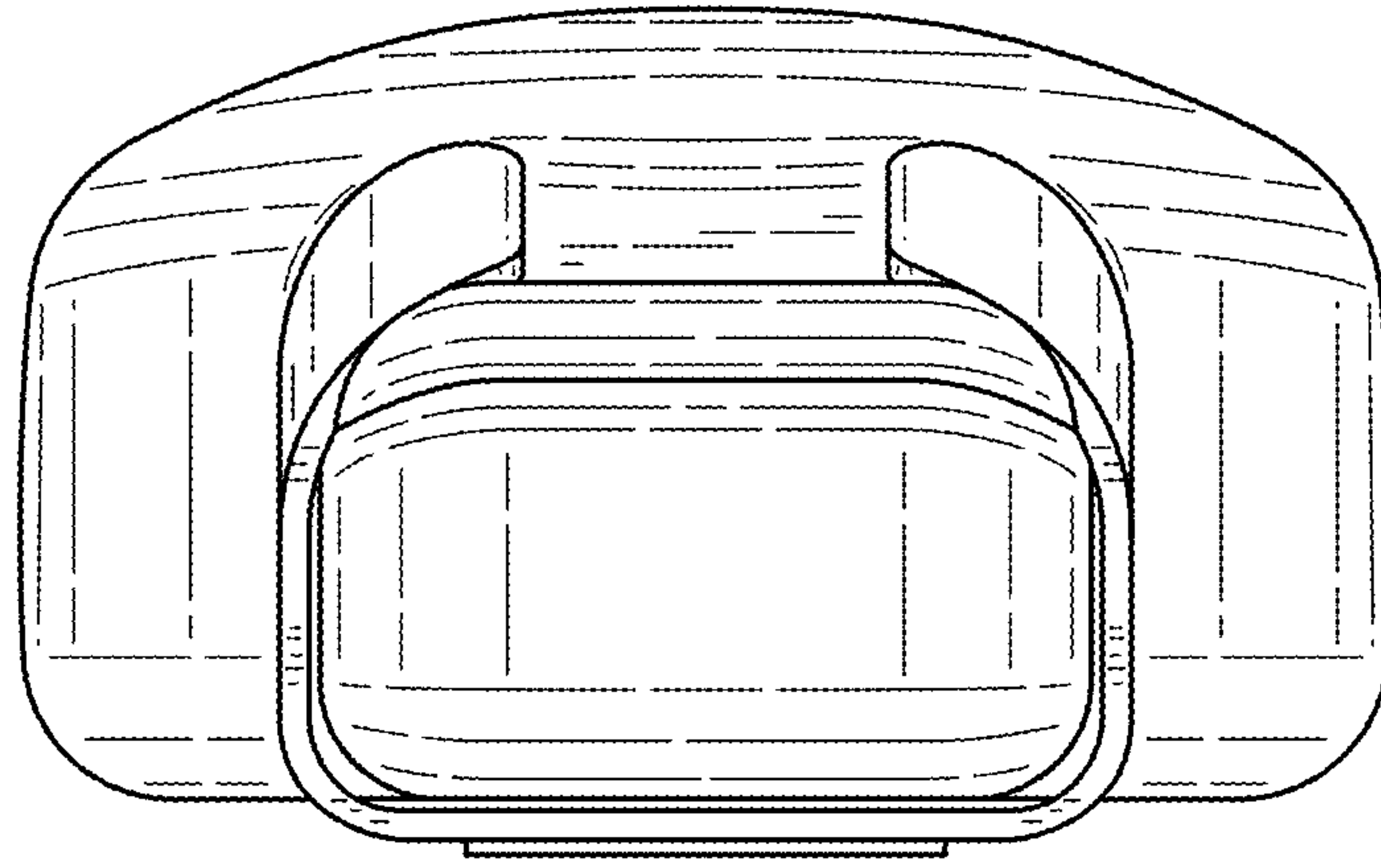


FIG.7



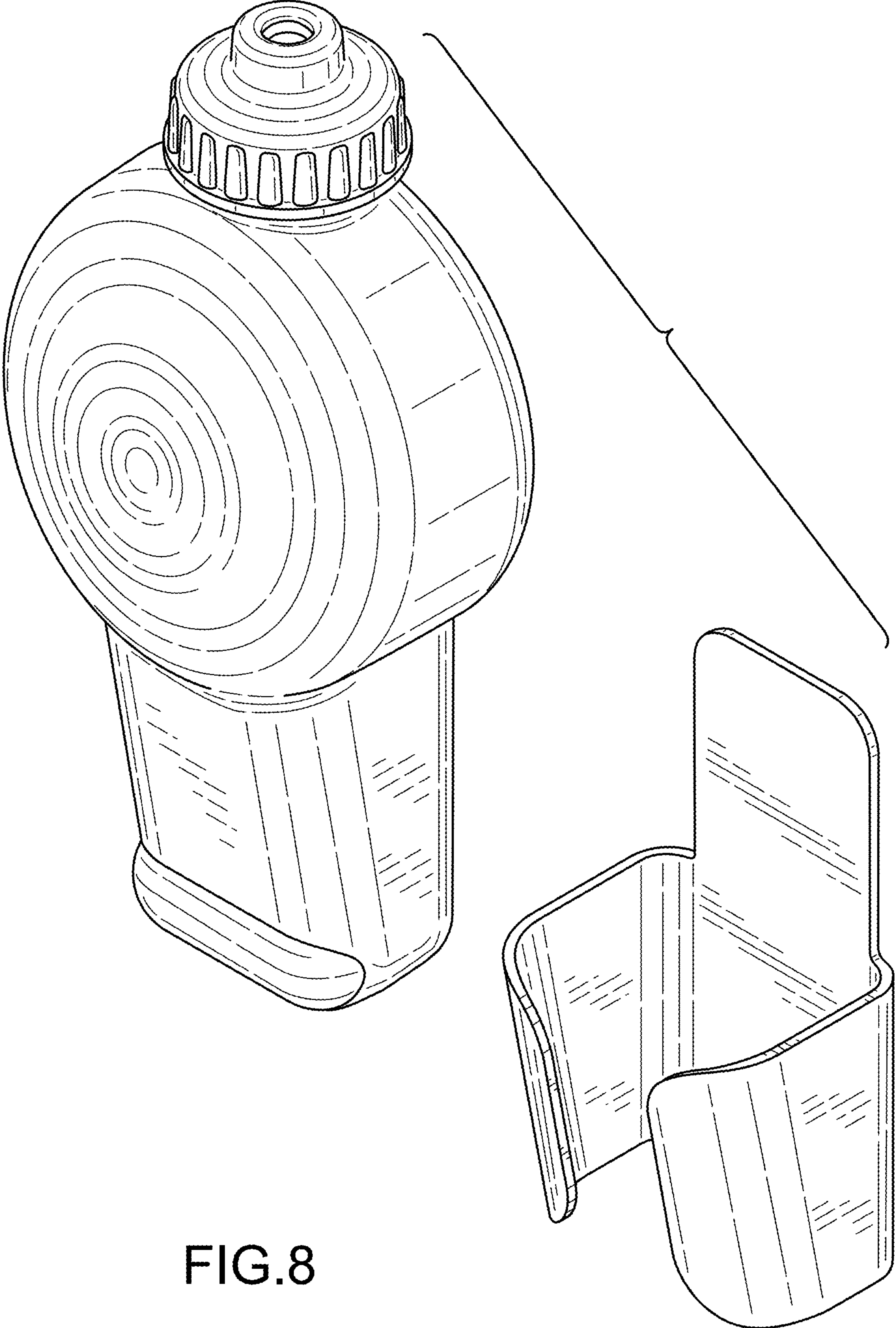


FIG.8