



US00D916502S

(12) **United States Design Patent** (10) **Patent No.:** **US D916,502 S**
Lei (45) **Date of Patent:** **** Apr. 20, 2021**

(54) **HAND DISINFECTION MACHINE**

(71) Applicant: **Shenzhen Screenage Electronics Co., LTD**, Shenzhen (CN)

(72) Inventor: **Ming Lei**, Zhuzhou (CN)

(**) Term: **15 Years**

(21) Appl. No.: **29/734,988**

(22) Filed: **May 18, 2020**

(51) **LOC (13) Cl.** **23-02**

(52) **U.S. Cl.**
USPC **D6/542**

(58) **Field of Classification Search**
USPC D6/542, 512, 513, 515, 545, 543, 396,
D6/518; D7/300, 306, 313, 397;
D9/733; D20/1; D23/208; 206/225,
206/233, 389, 391; 211/13.1, 45;
221/26, 282-283; 222/108, 173;
D24/217

CPC A47K 5/00; B67D 3/0029; A47B 81/007;
A47F 9/04; F25D 2331/806; Y10T
225/238; A47G 19/183; A61C 15/043;
B65D 35/56; B65D 51/249

See application file for complete search history.

(56) **References Cited**

U.S. PATENT DOCUMENTS

D458,485 S * 6/2002 Tramontina D6/515
D463,183 S * 9/2002 Tramontina D6/515
D671,346 S * 11/2012 Zlatic D6/545

D675,037 S * 1/2013 Sinotte D6/515
D686,839 S * 7/2013 Markwick D6/673
D735,487 S * 8/2015 Marino D6/515
D812,395 S * 3/2018 Buell D6/542
D812,928 S * 3/2018 Buell D6/542
D815,454 S * 4/2018 Mann D6/515
D818,739 S * 5/2018 Buell D6/542
D835,923 S * 12/2018 Buell D6/542
D841,180 S 2/2019 Latchman-Bloom
D871,102 S 12/2019 Hsu
D878,620 S * 3/2020 Nathan D24/217

* cited by examiner

Primary Examiner — Mark Booker

(74) *Attorney, Agent, or Firm* — HYIP

(57) **CLAIM**

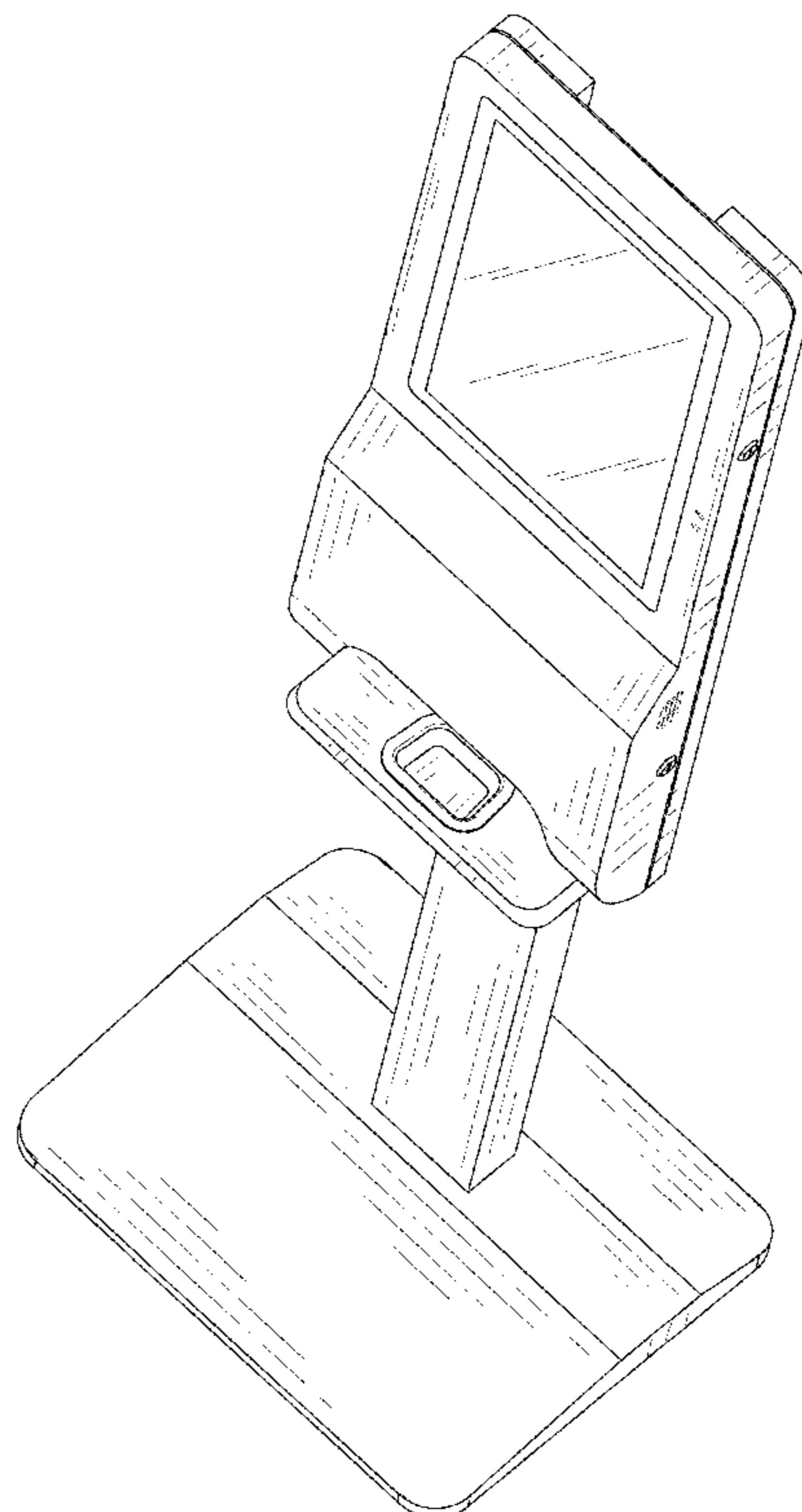
The ornamental design for a hand disinfection machine, as shown and described.

DESCRIPTION

FIG. 1 is a first perspective view of a hand disinfection machine showing my new design;
FIG. 2 is a second perspective view thereof;
FIG. 3 is a front view thereof;
FIG. 4 is a back view thereof;
FIG. 5 is a left side view thereof;
FIG. 6 is a right side view thereof;
FIG. 7 is a top view thereof; and,
FIG. 8 is a bottom view thereof.

The broken lines shown in the figures represent portions of the hand disinfection machine that form no part of the claimed design.

1 Claim, 8 Drawing Sheets



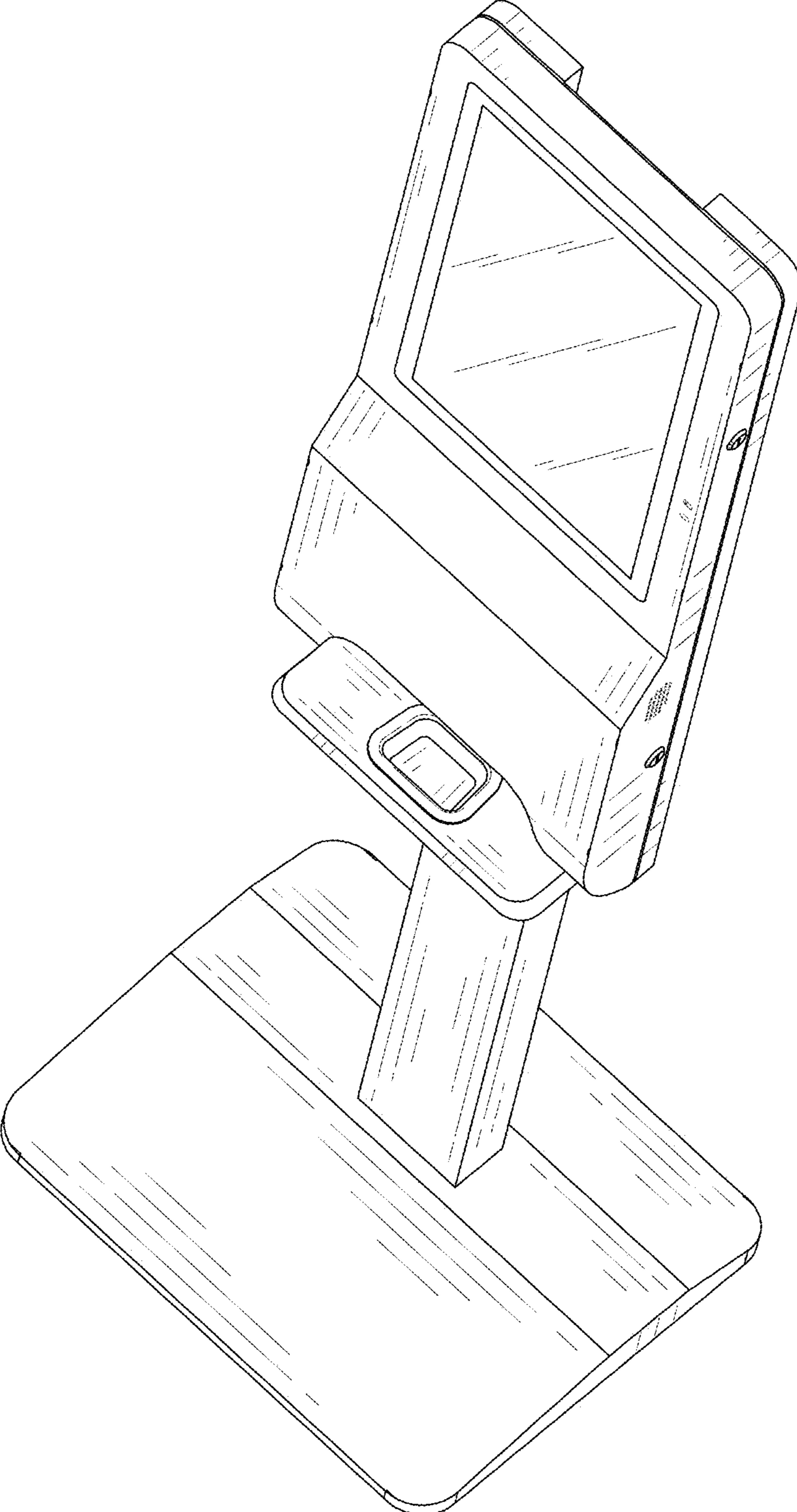


FIG. 1

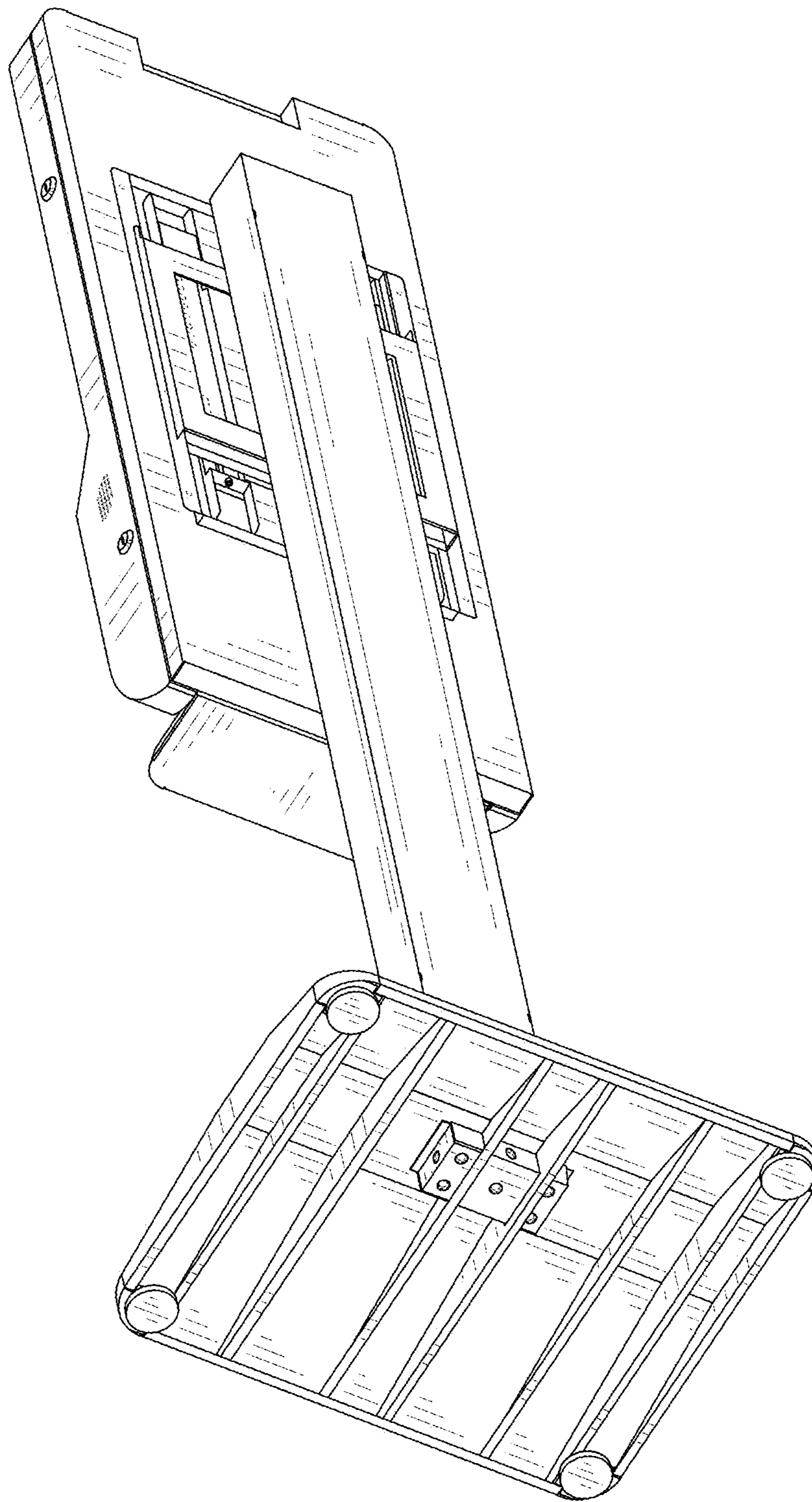


FIG. 2

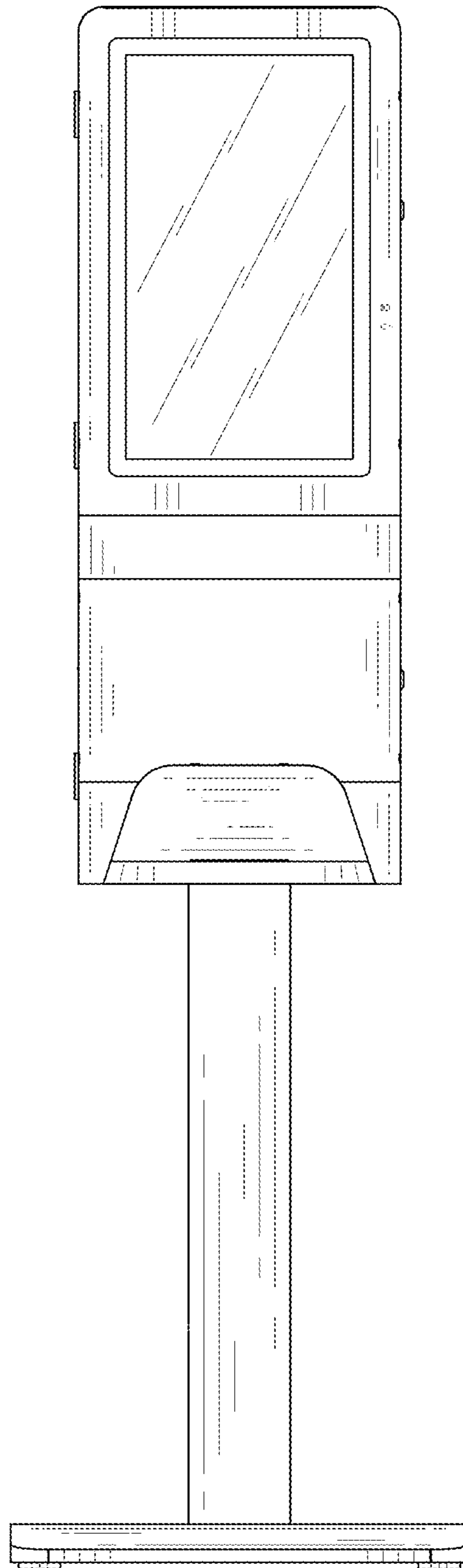


FIG. 3

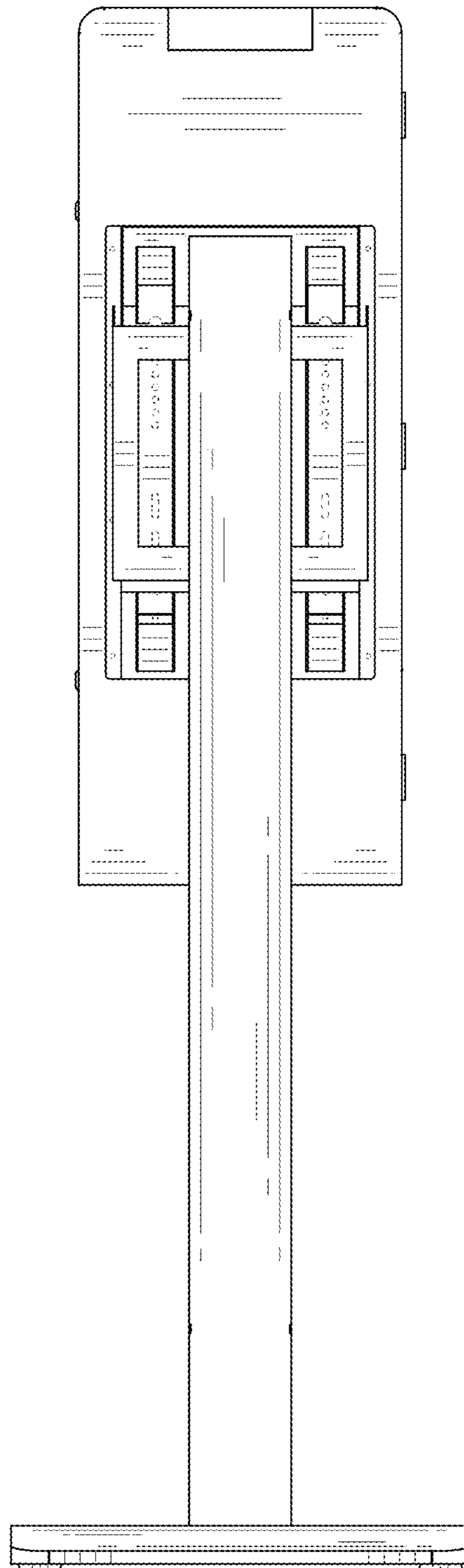


FIG. 4

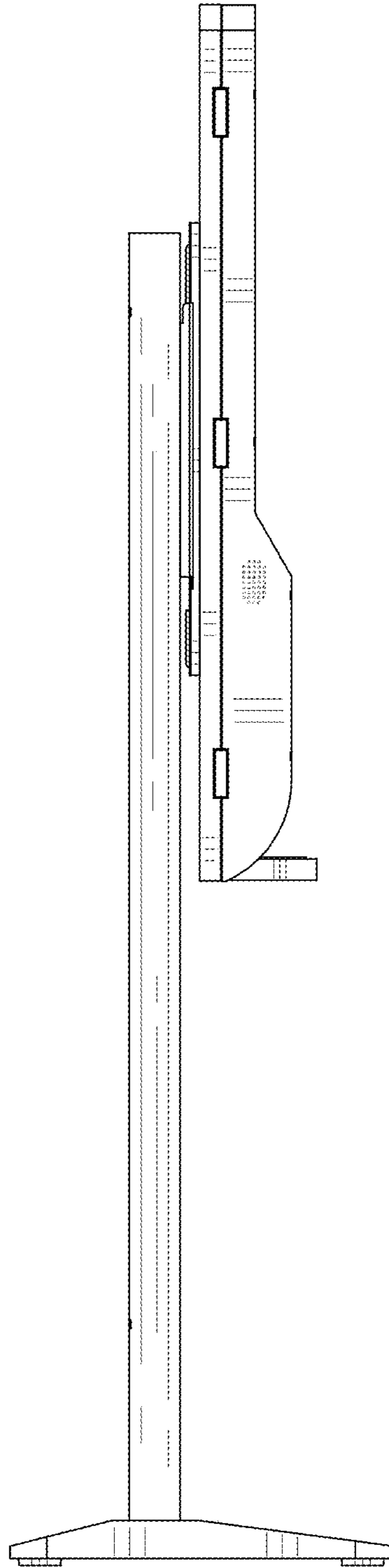


FIG. 5

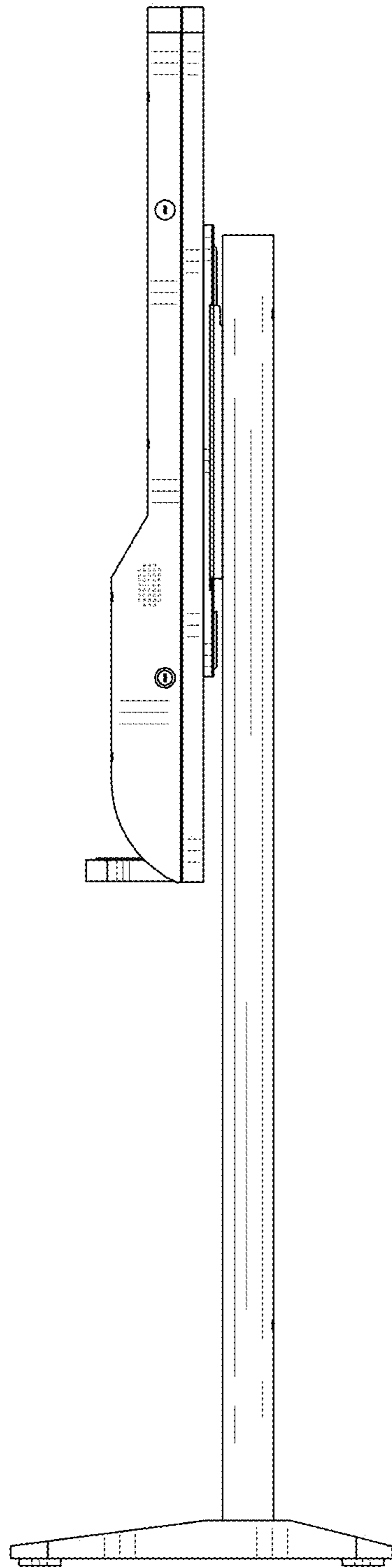


FIG. 6

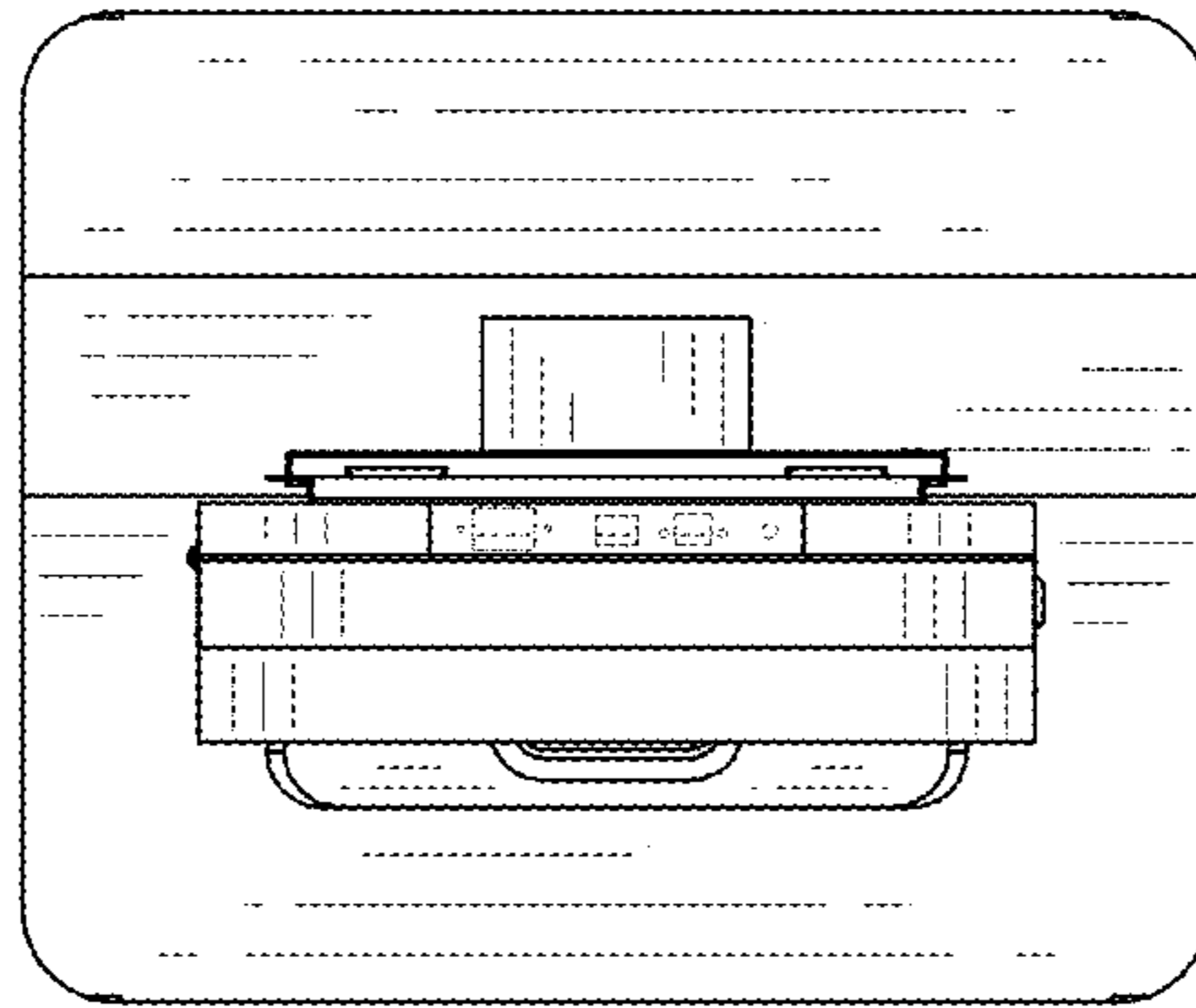


FIG. 7

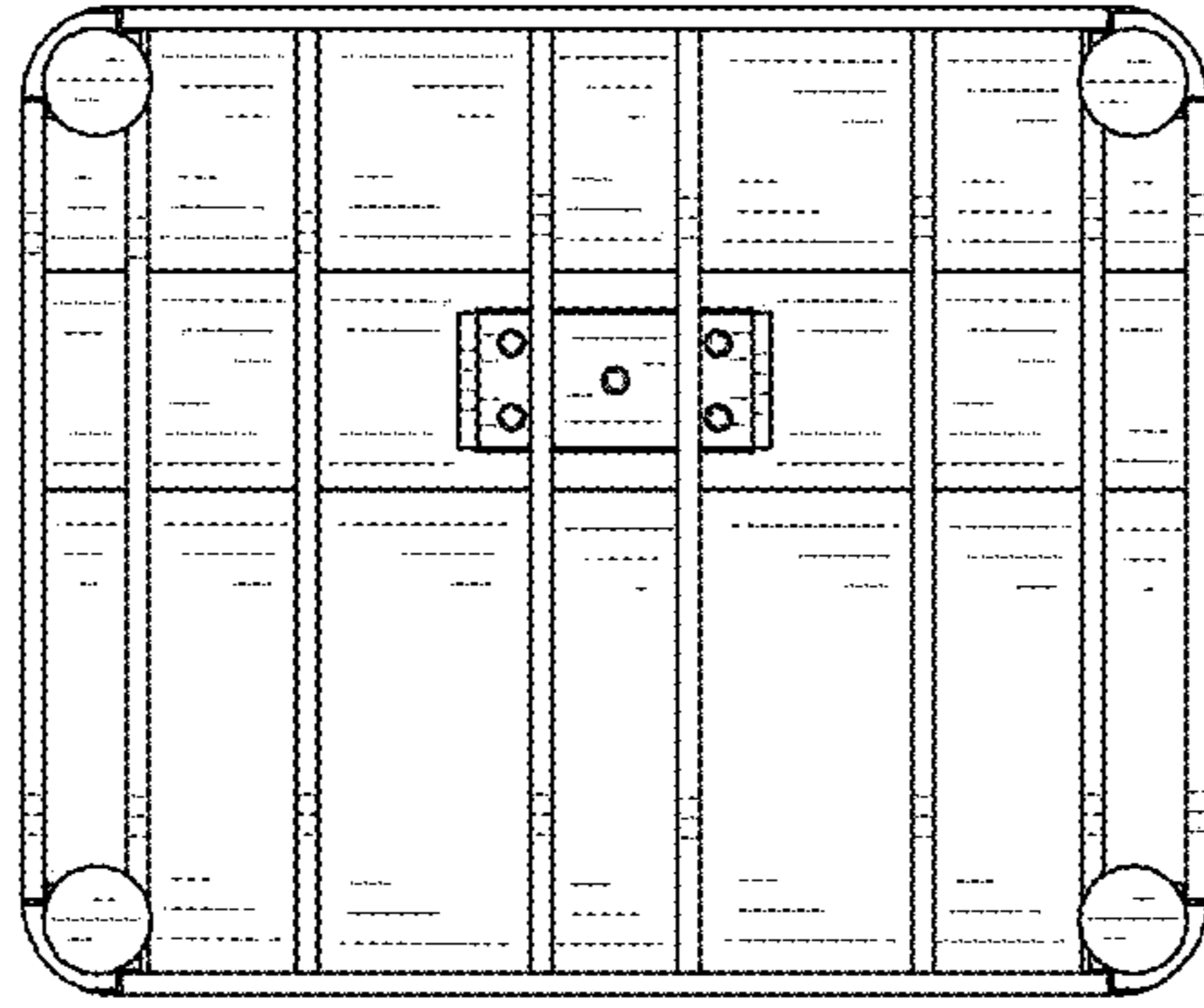


FIG. 8