



US00D916501S

(12) **United States Design Patent** (10) **Patent No.:** **US D916,501 S**  
**Merrill et al.** (45) **Date of Patent:** **\*\* Apr. 20, 2021**

(54) **SOAP DISPENSER**  
(71) Applicants: **William Jack Merrill**, London (GB);  
**Min Kim**, Jersey City, NJ (US)  
(72) Inventors: **William Jack Merrill**, London (GB);  
**Min Kim**, Jersey City, NJ (US)  
(73) Assignee: **Helen of Troy Limited**, St. Michael  
(BB)  
(\*\*) Term: **15 Years**  
(21) Appl. No.: **29/686,727**  
(22) Filed: **Apr. 7, 2019**  
(51) **LOC (13) Cl.** ..... **23-02**  
(52) **U.S. Cl.**  
USPC ..... **D6/542**  
(58) **Field of Classification Search**  
USPC ..... D6/542, 545, 543, 544; 206/77.1;  
221/282-283; 222/92, 105, 173, 180,  
222/181.1, 181.2, 181.3, 282, 283  
CPC ..... B01L 3/52; B05B 11/3014; B05B 9/0403;  
B05B 9/0426; C11D 17/08; A45D 19/02;  
A47K 5/12; A47K 5/1202; A47K 5/1211;  
B67D 7/0255; B01F 15/0243; B01F  
15/0254; B01F 5/12; B01F 5/20; B05D  
5/00  
See application file for complete search history.

D661,149 S \* 6/2012 Yang ..... D6/542  
D682,589 S \* 5/2013 Cheng ..... D6/542  
D815,855 S \* 4/2018 Bos ..... D6/542  
D818,741 S \* 5/2018 Yang ..... D6/542  
D866,219 S \* 11/2019 Wegner ..... D6/542  
D894,631 S \* 9/2020 Yang ..... D6/542

\* cited by examiner  
*Primary Examiner* — Mark Booker  
(74) *Attorney, Agent, or Firm* — Rankin, Hill & Clark  
LLP

(57) **CLAIM**

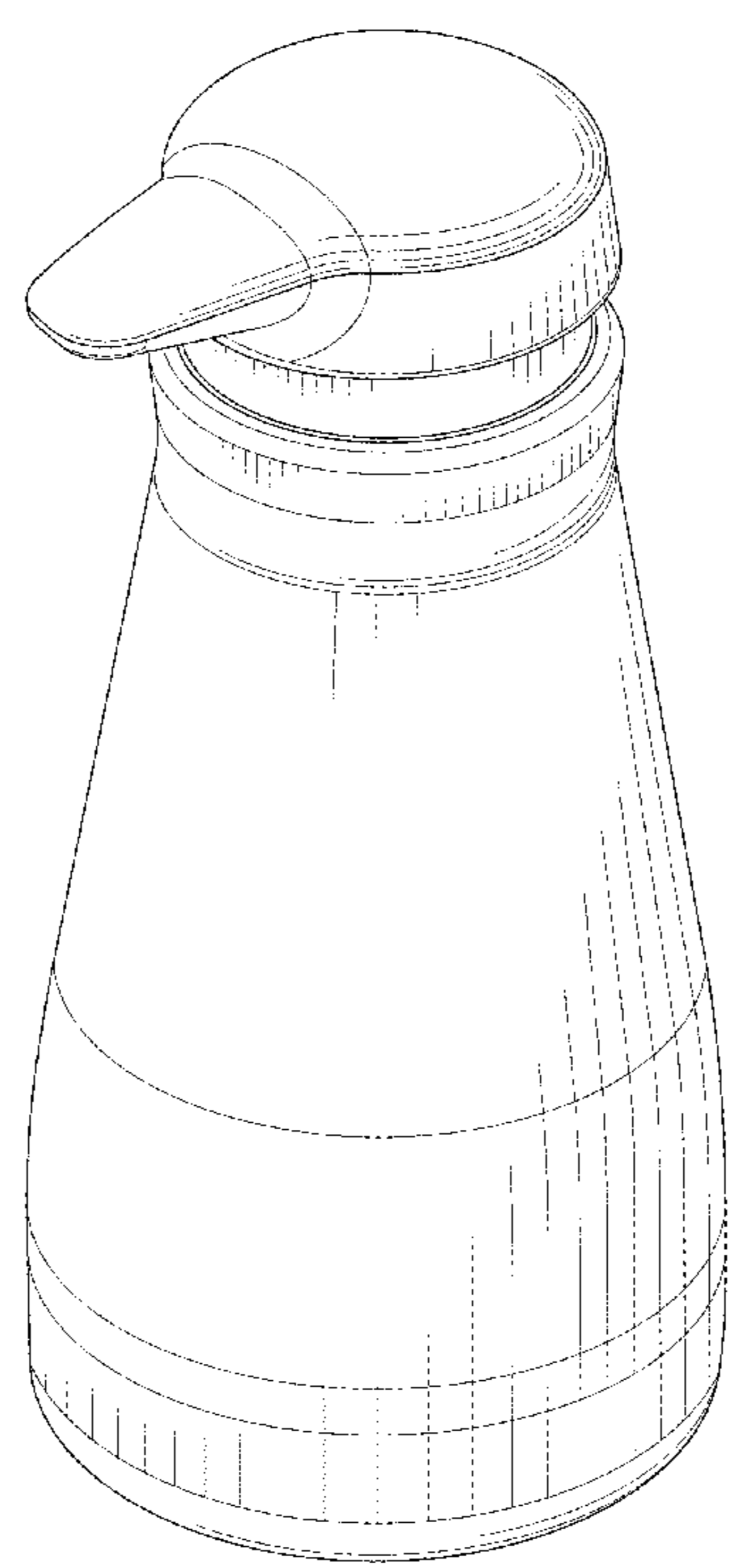
The ornamental design for a soap dispenser, as shown and described.

**DESCRIPTION**

FIG. 1 is a perspective view of a soap dispenser, showing the new, original and ornamental design;  
FIG. 2 is a front elevation view thereof;  
FIG. 3 is a rear elevation view thereof;  
FIG. 4 is a right side elevation view thereof, the left side elevation view being a mirror image thereof;  
FIG. 5 is a top plan view thereof; and,  
FIG. 6 is a bottom plan view thereof.  
The broken lines shown in the drawings depict portions of the soap dispenser that form no part of the claimed design.

(56) **References Cited**  
U.S. PATENT DOCUMENTS  
D531,440 S \* 11/2006 Lo ..... D6/542  
D593,784 S \* 6/2009 Chan ..... D6/542

**1 Claim, 6 Drawing Sheets**



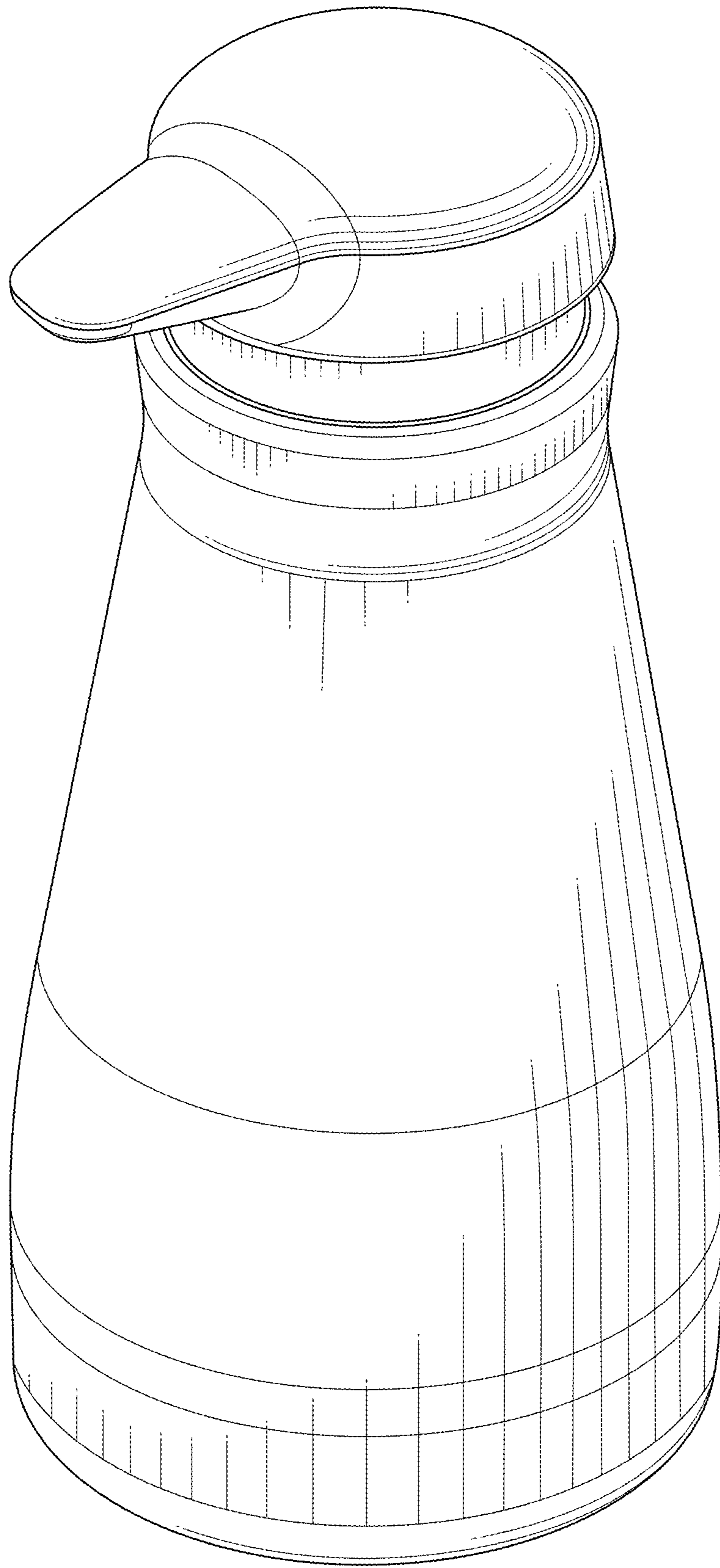


FIG. 1

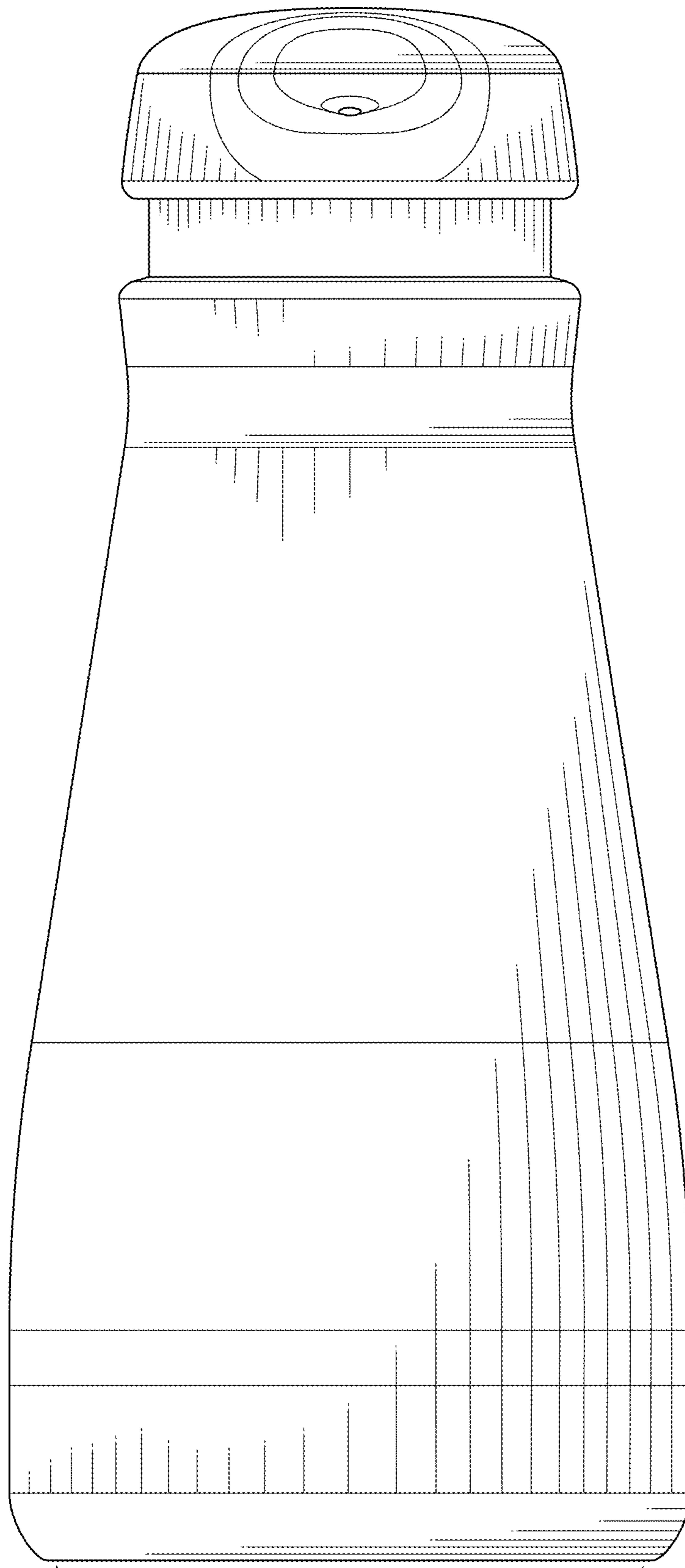


FIG. 2

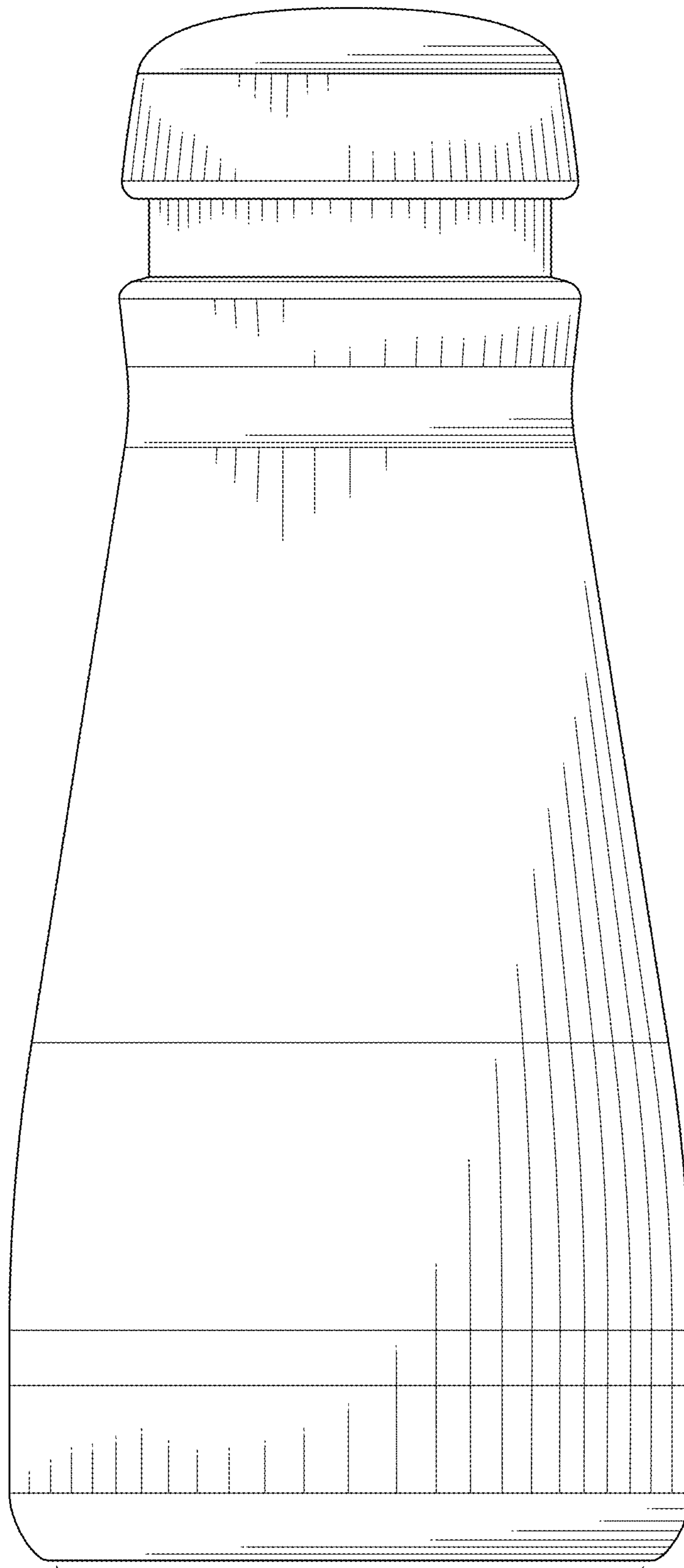


FIG. 3

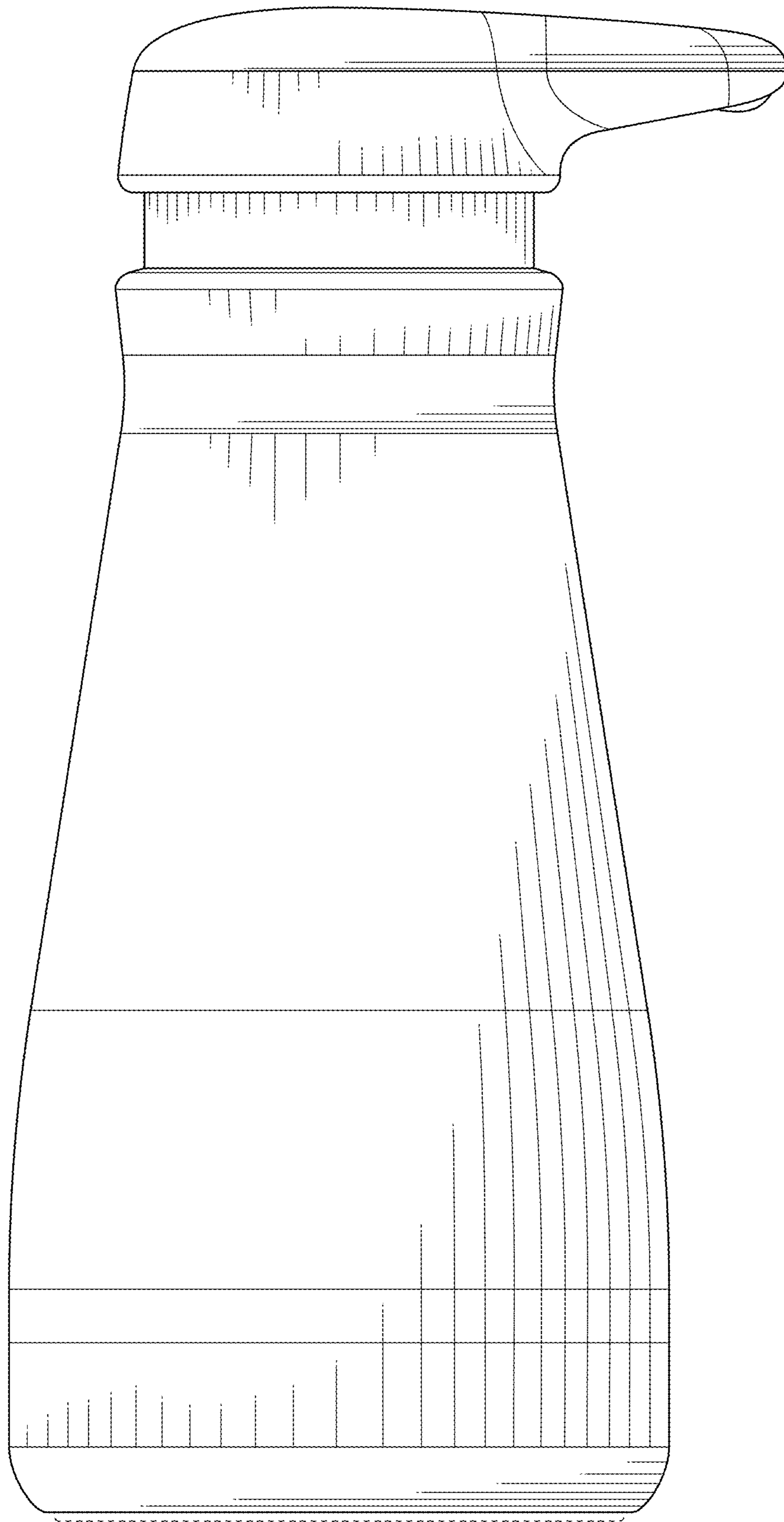


FIG. 4

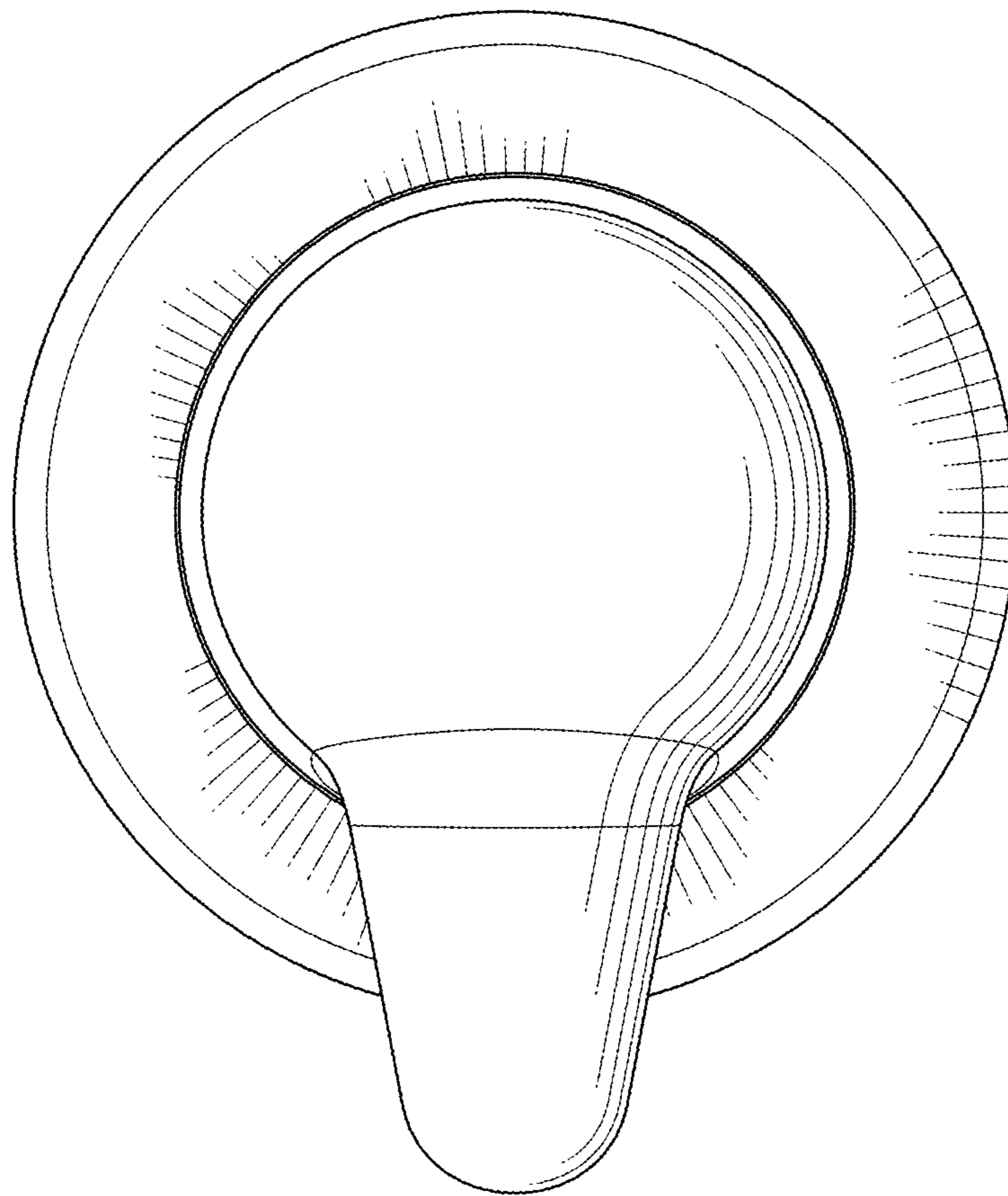


FIG. 5

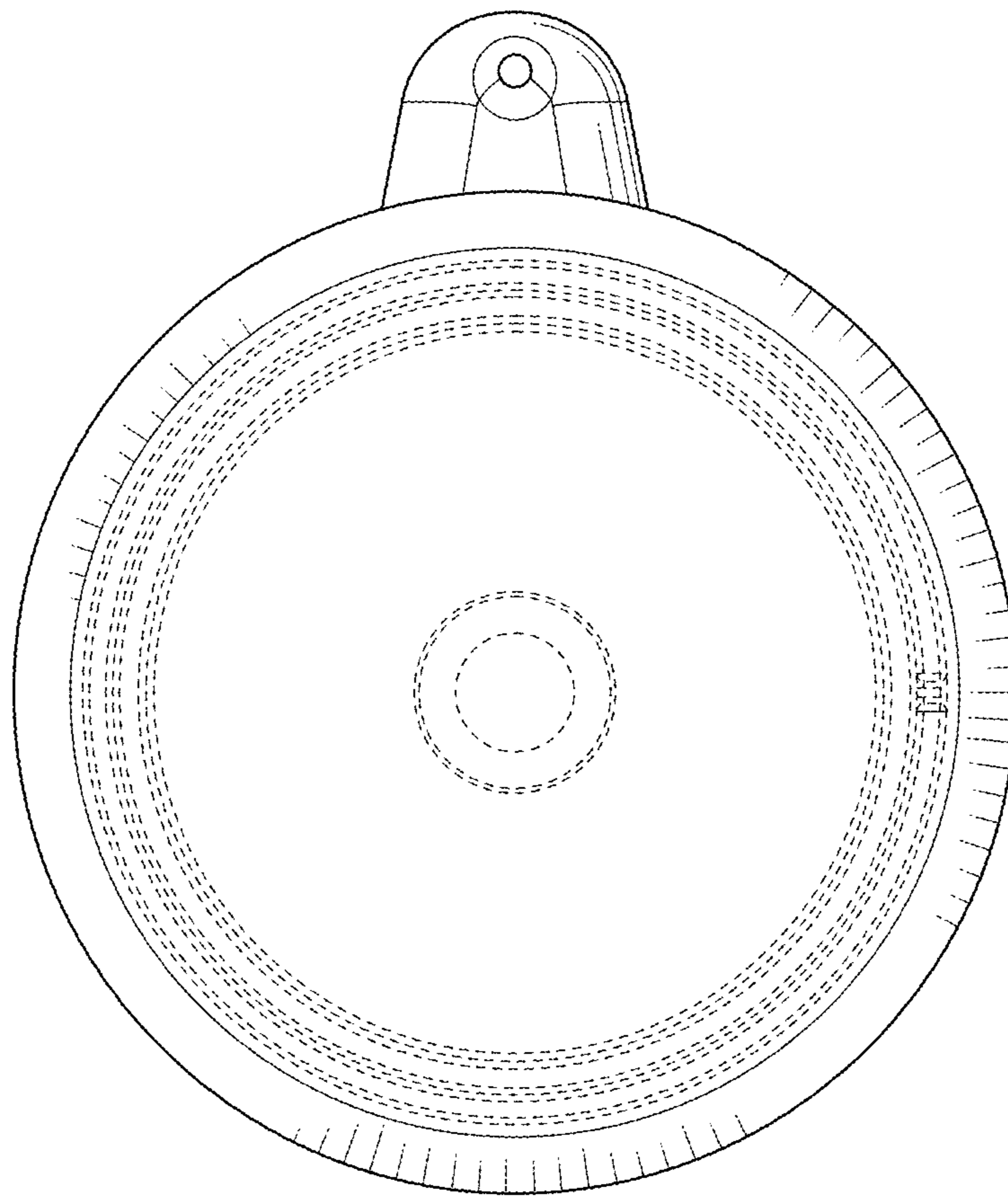


FIG. 6