



US00D916500S

(12) **United States Design Patent**  
**Johnson et al.**

(10) **Patent No.:** **US D916,500 S**

(45) **Date of Patent:** **\*\* Apr. 20, 2021**

(54) **SOAP DISPENSER**

D810,461 S \* 2/2018 Bahler ..... D6/542  
D831,376 S \* 10/2018 Ziemann ..... D6/542  
D874,181 S \* 2/2020 Wei ..... D6/542

(71) Applicant: **Kohler Co.**, Kohler, WI (US)

\* cited by examiner

(72) Inventors: **Drew Johnson**, Sheboygan, WI (US);  
**Tory L. Hayner**, Howards Grove, WI (US)

*Primary Examiner* — Mark Booker

(73) Assignee: **KOHLER CO**, Kohler, WI (US)

(74) *Attorney, Agent, or Firm* — Foley & Lardner LLP

(\*\*) Term: **15 Years**

(21) Appl. No.: **29/683,276**

(57) **CLAIM**

(22) Filed: **Mar. 12, 2019**

The ornamental design for a soap dispenser, as shown and described.

(51) **LOC (13) Cl.** ..... **23-02**

(52) **U.S. Cl.**  
USPC ..... **D6/542**

(58) **Field of Classification Search**  
USPC ..... D6/542, 512, 524, 543, 544, 545;  
D9/291, 448, 449, 682, 688, 690, 691;  
221/282; 222/14, 173, 146.3, 628, 251,  
222/181.1, 181.3; D23/238, 240, 255  
CPC .... A47G 19/24; B67D 3/0029; B65D 23/003;  
B65D 83/40; B65D 50/045; B05B  
11/3001; F16N 3/10  
See application file for complete search history.

**DESCRIPTION**

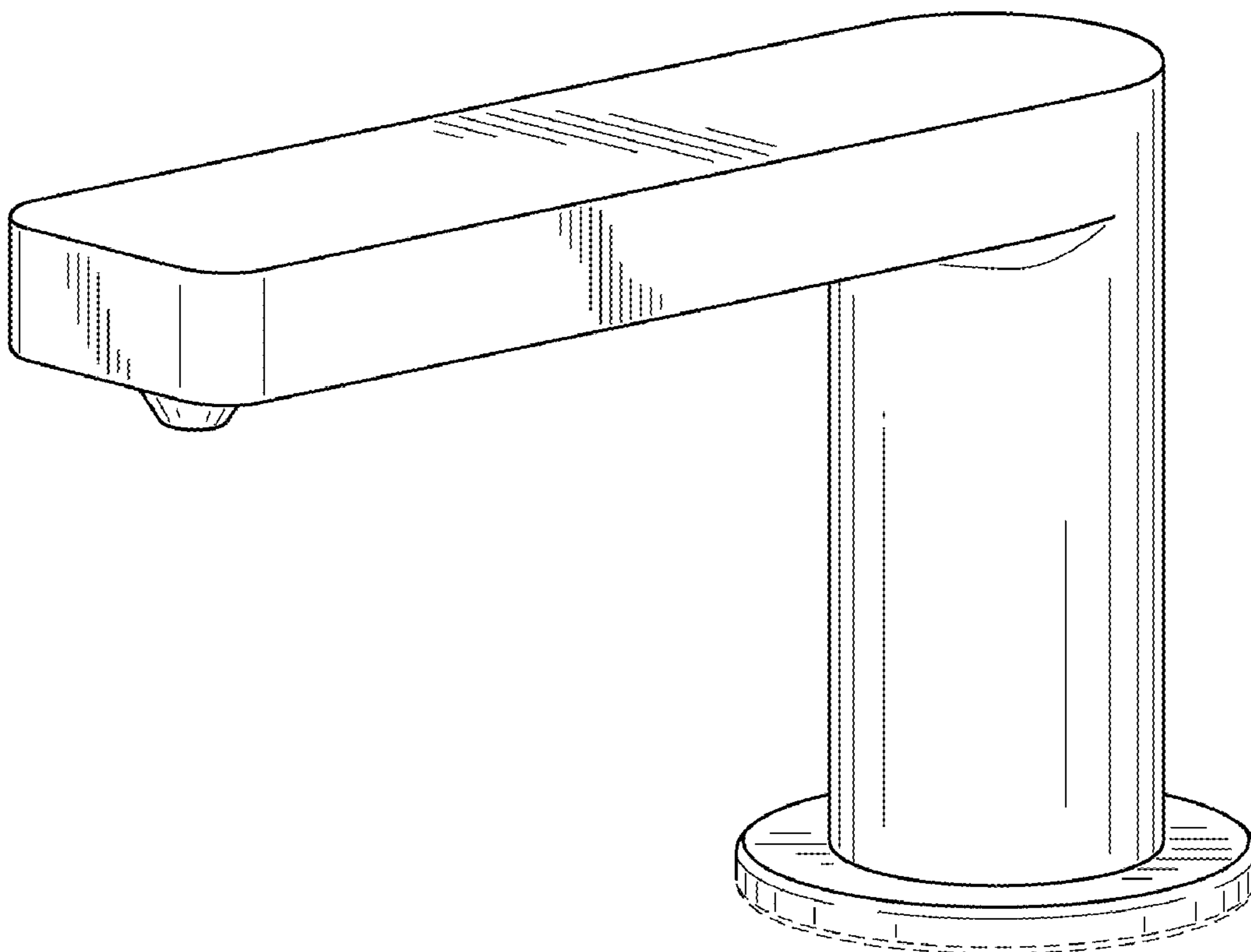
FIG. 1 is a top, front, right perspective view of a soap dispenser;  
FIG. 2 is a front elevation view thereof;  
FIG. 3 is a rear elevation view thereof;  
FIG. 4 is a right side elevation view thereof;  
FIG. 5 is left side elevation view thereof;  
FIG. 6 is top plan view thereof; and,  
FIG. 7 is a bottom plan view thereof.  
The evenly spaced broken lines shown in the figures represent portions of the soap dispenser that form no part of the claimed design.

(56) **References Cited**

U.S. PATENT DOCUMENTS

D667,533 S \* 9/2012 Lammel ..... D23/238  
D761,941 S \* 7/2016 Flowers ..... D23/255

**1 Claim, 5 Drawing Sheets**



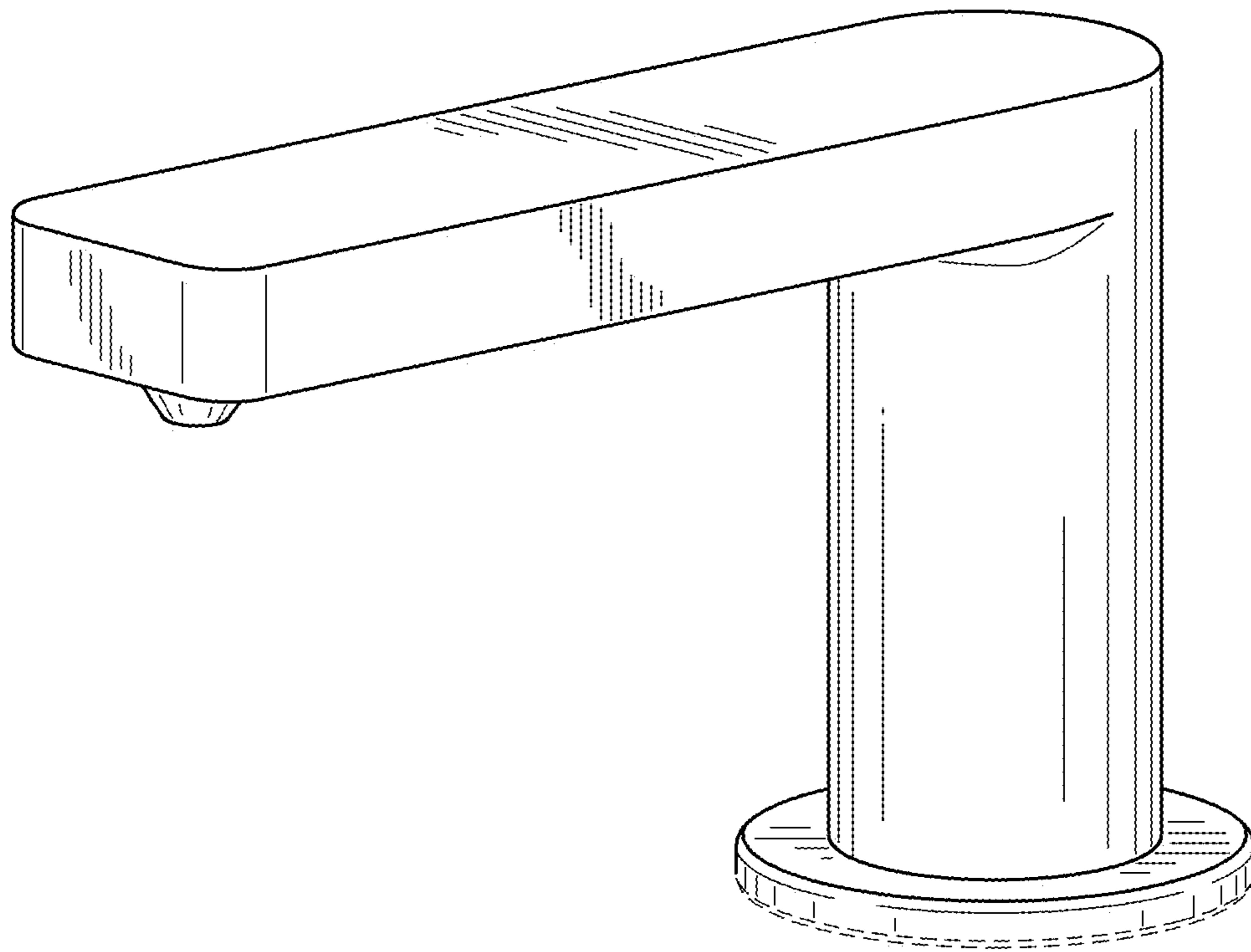


FIG. 1

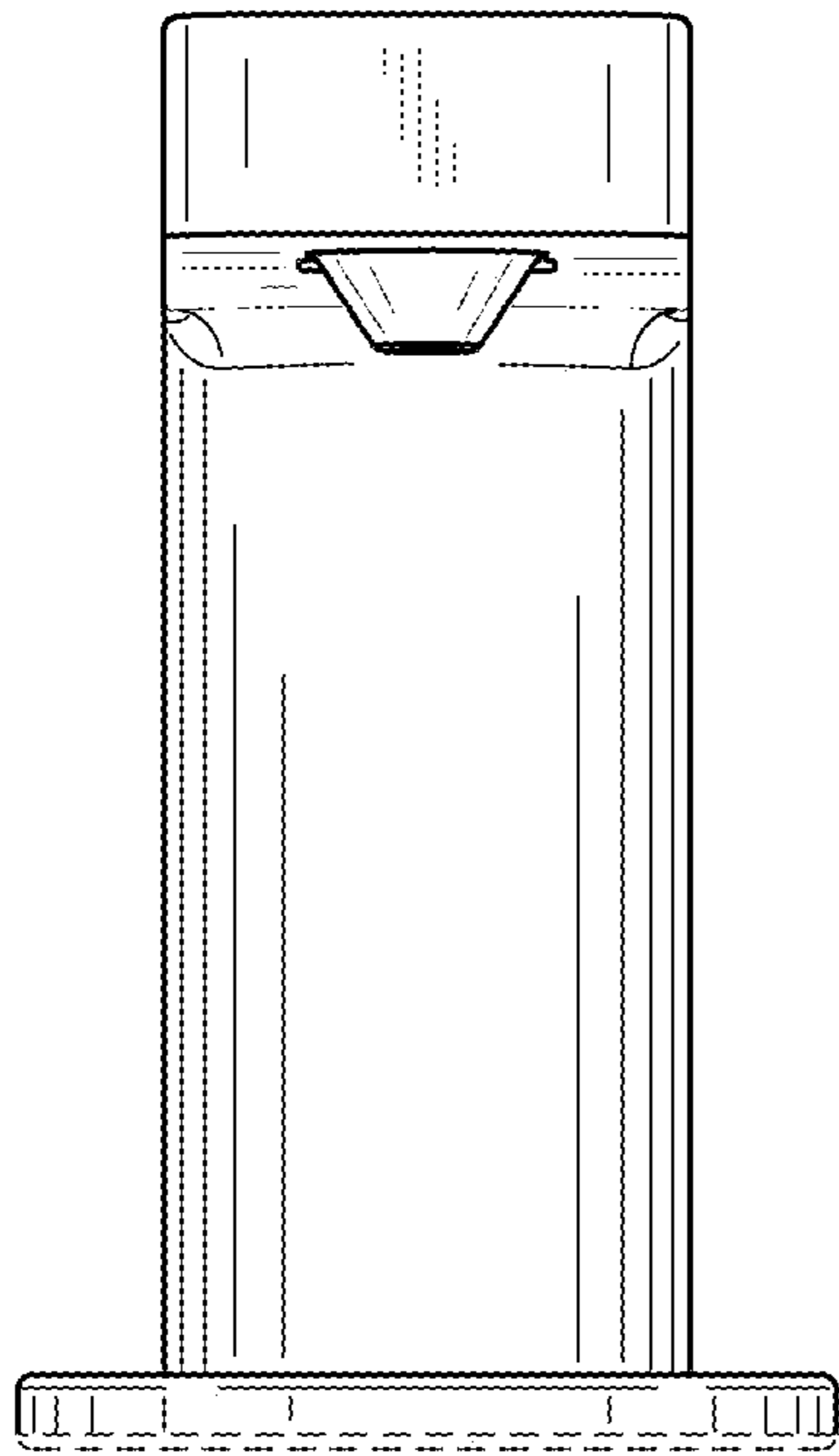


FIG. 2

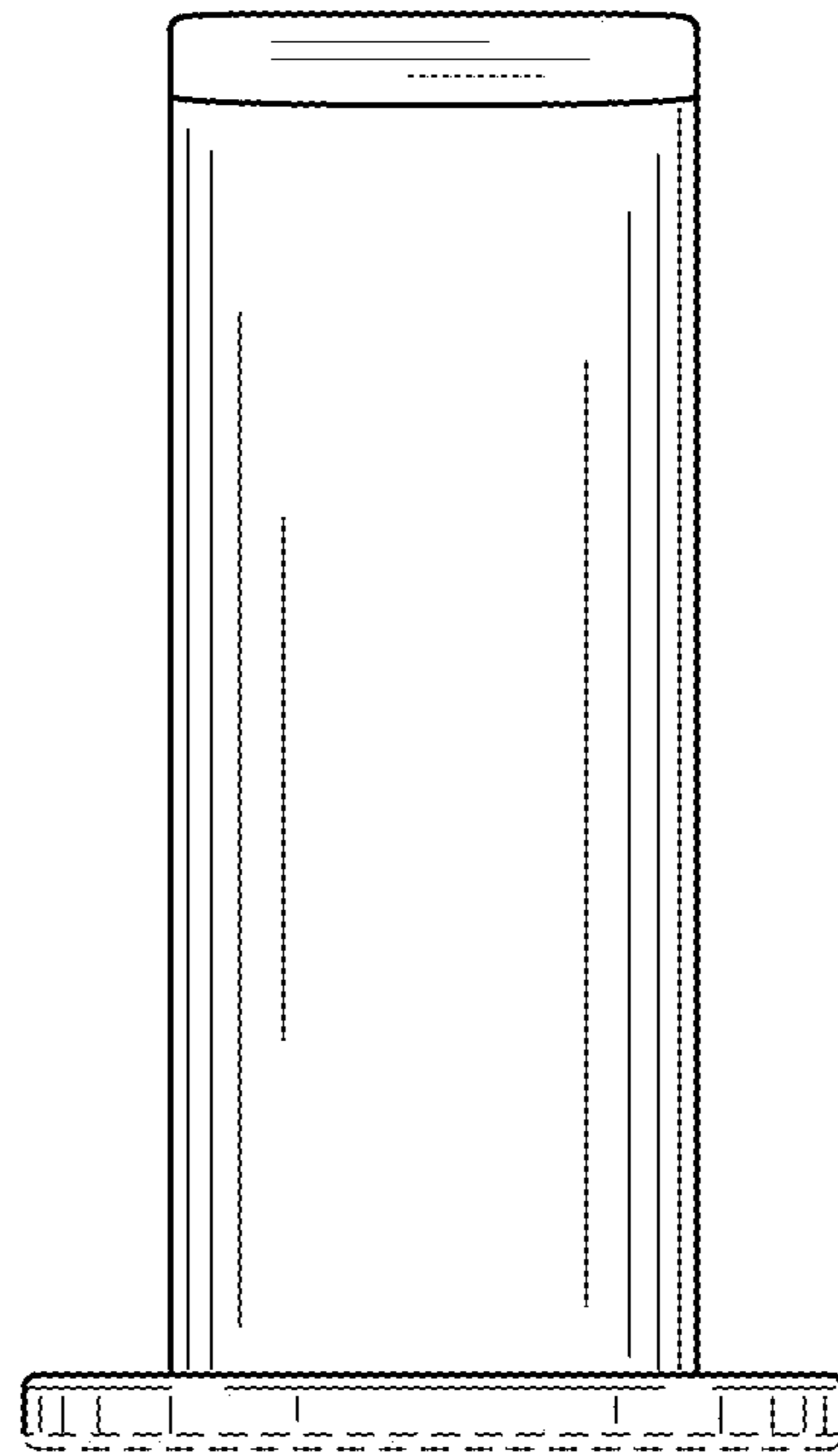


FIG. 3

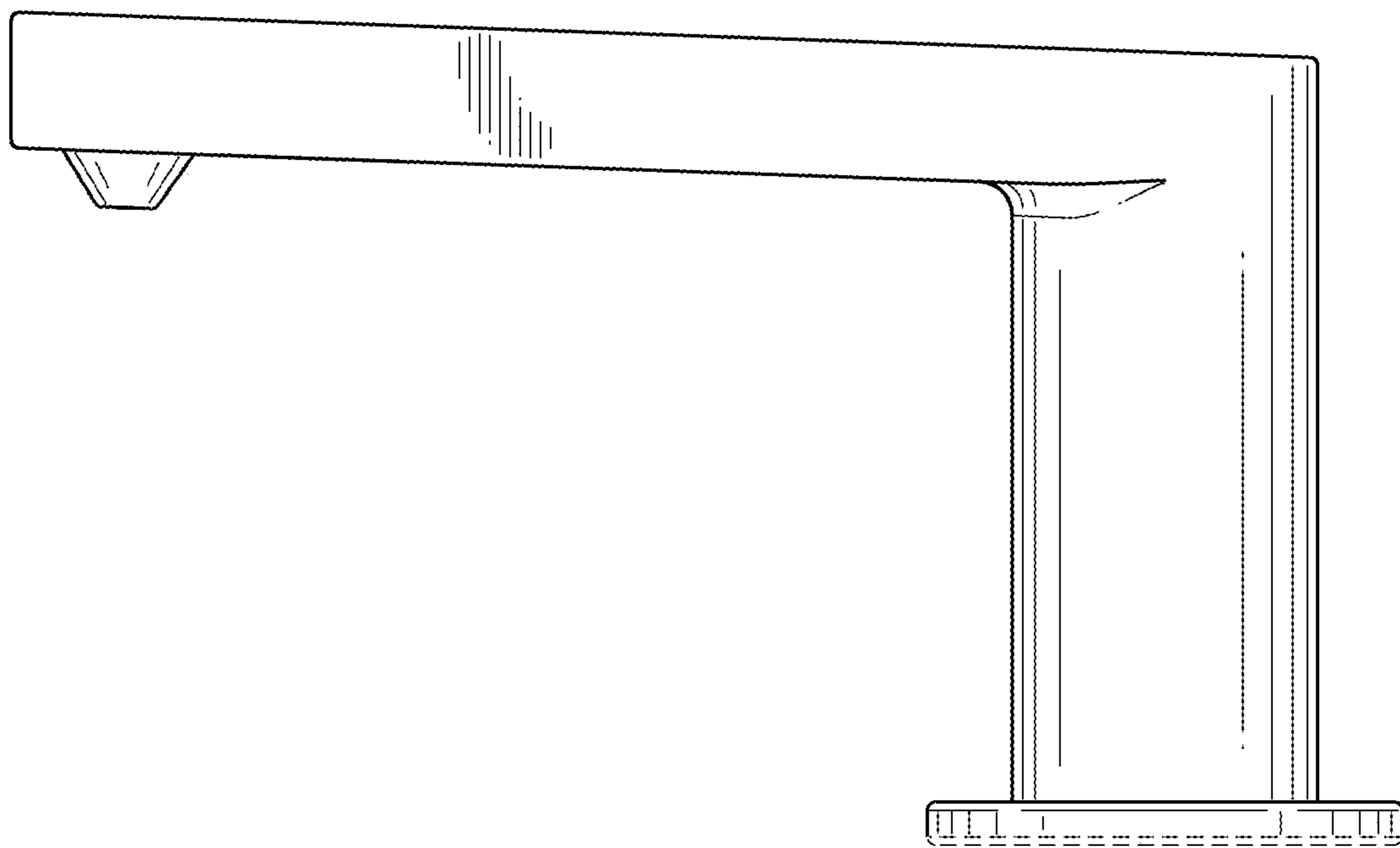


FIG. 4

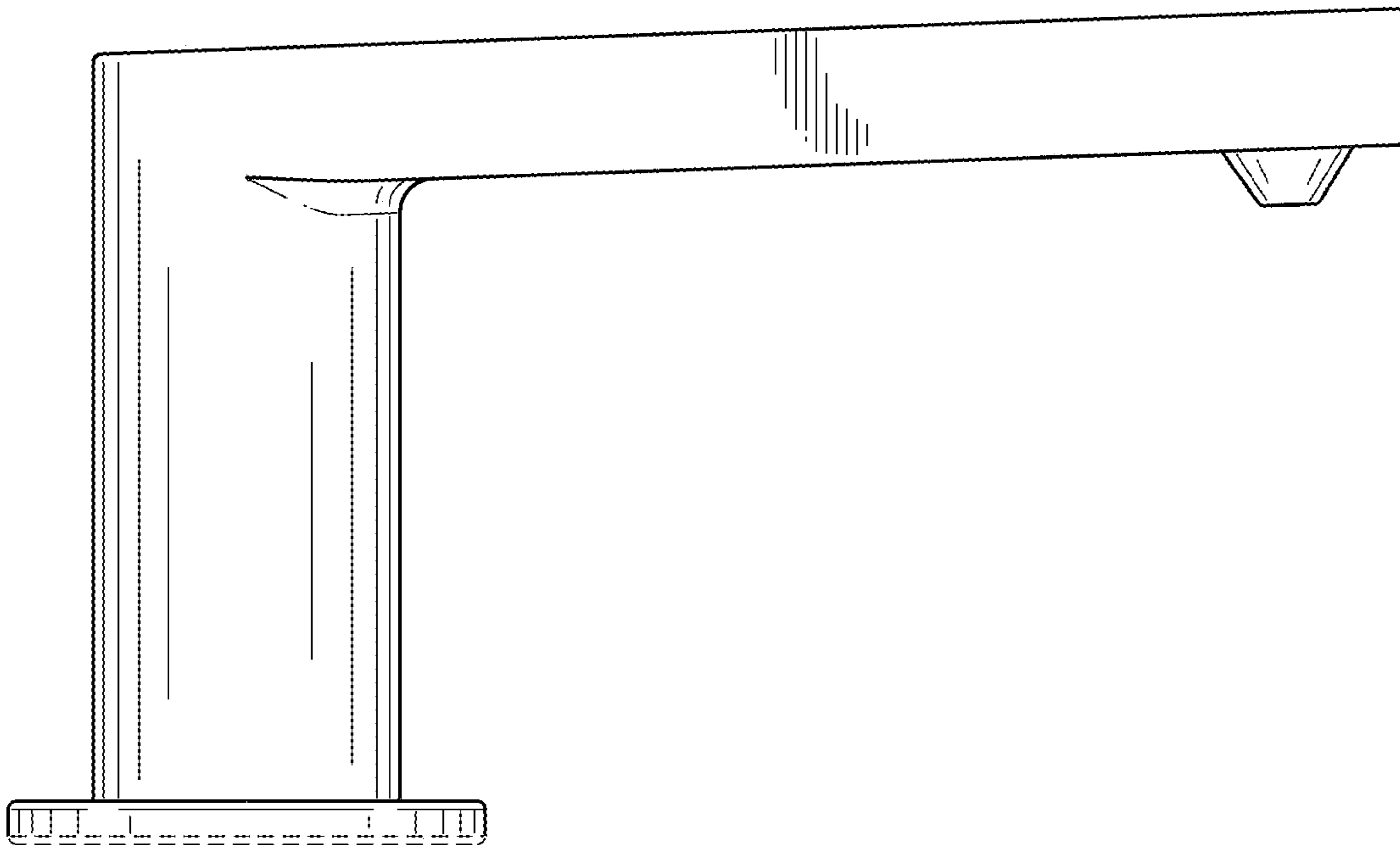


FIG. 5

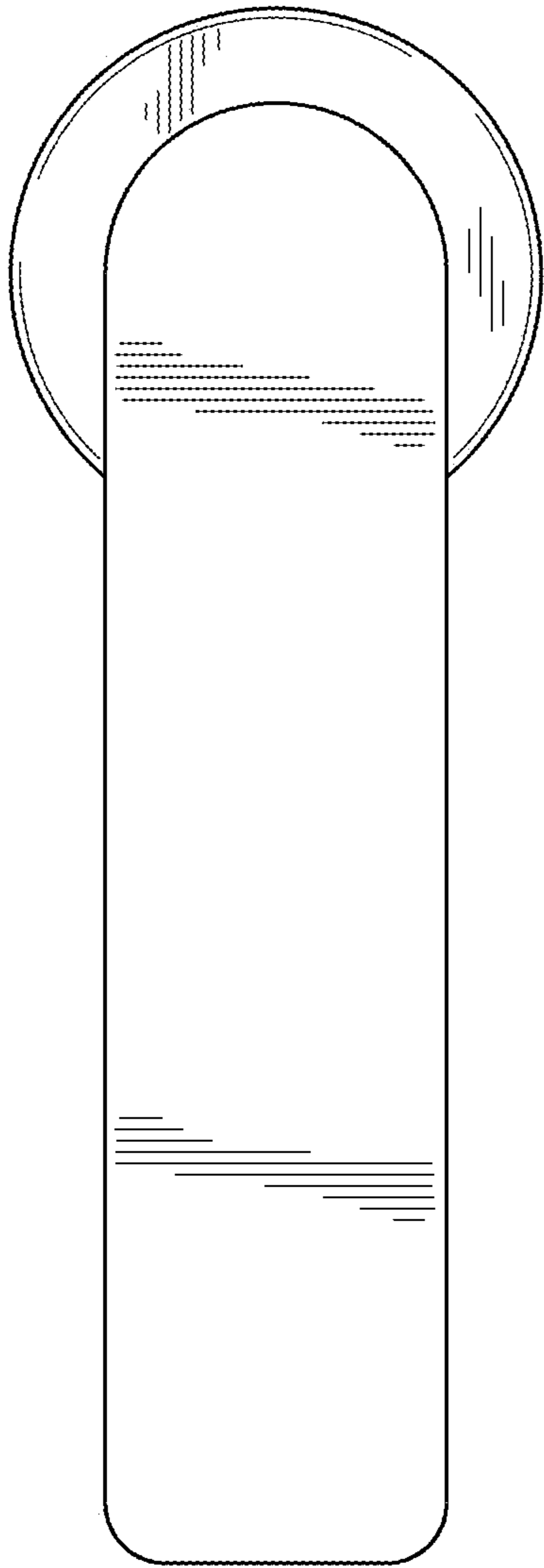


FIG. 6

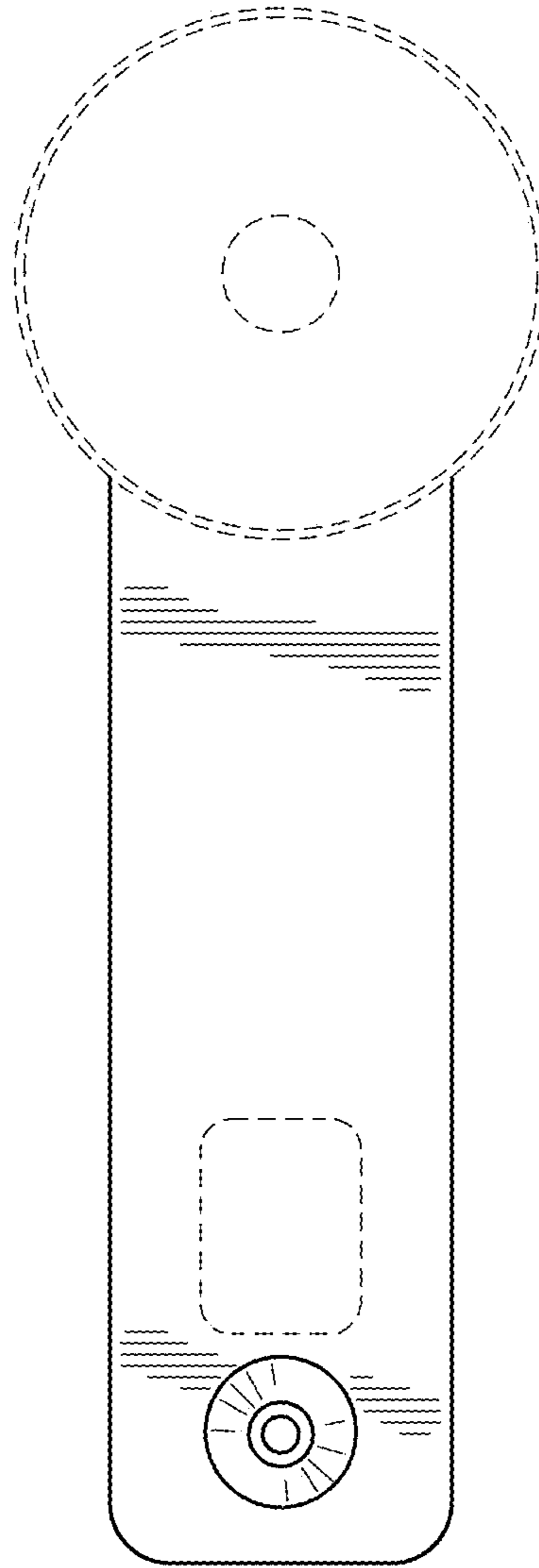


FIG. 7