



US00D916499S

(12) **United States Design Patent** (10) **Patent No.:** **US D916,499 S**
Chen (45) **Date of Patent:** **** Apr. 20, 2021**

(54) **SENSOR SOAP DISPENSER**
(71) Applicant: **EKO DEVELOPMENT LTD.,**
Guangzhou (CN)
(72) Inventor: **Yizhi Chen,** Guangzhou (CN)
(73) Assignee: **EKO Development Ltd.,** Guangzhou
(CN)
(**) Term: **15 Years**
(21) Appl. No.: **29/678,912**
(22) Filed: **Jan. 31, 2019**
(51) **LOC (13) Cl.** **23-02**
(52) **U.S. Cl.**
USPC **D6/542**
(58) **Field of Classification Search**
USPC D6/542, 545, 543, 544; 206/77.1;
211/282-283; 222/92, 105, 173, 180,
222/181.1, 181.2, 181.3, 282, 283;
221/96, 132
CPC A47K 5/14; A47K 5/1211; A47K 5/12;
A47K 5/1202; B05B 7/005; B05B
11/3087; B05B 11/3047; B05B 11/3014;
B05B 9/0403; B05B 9/0426; A45D
19/02; B67D 7/0255; B01L 3/52; C11D
17/08; B01F 15/0243; B01F 15/0254;
B01F 5/12; B01F 5/20; B05D 5/00
See application file for complete search history.

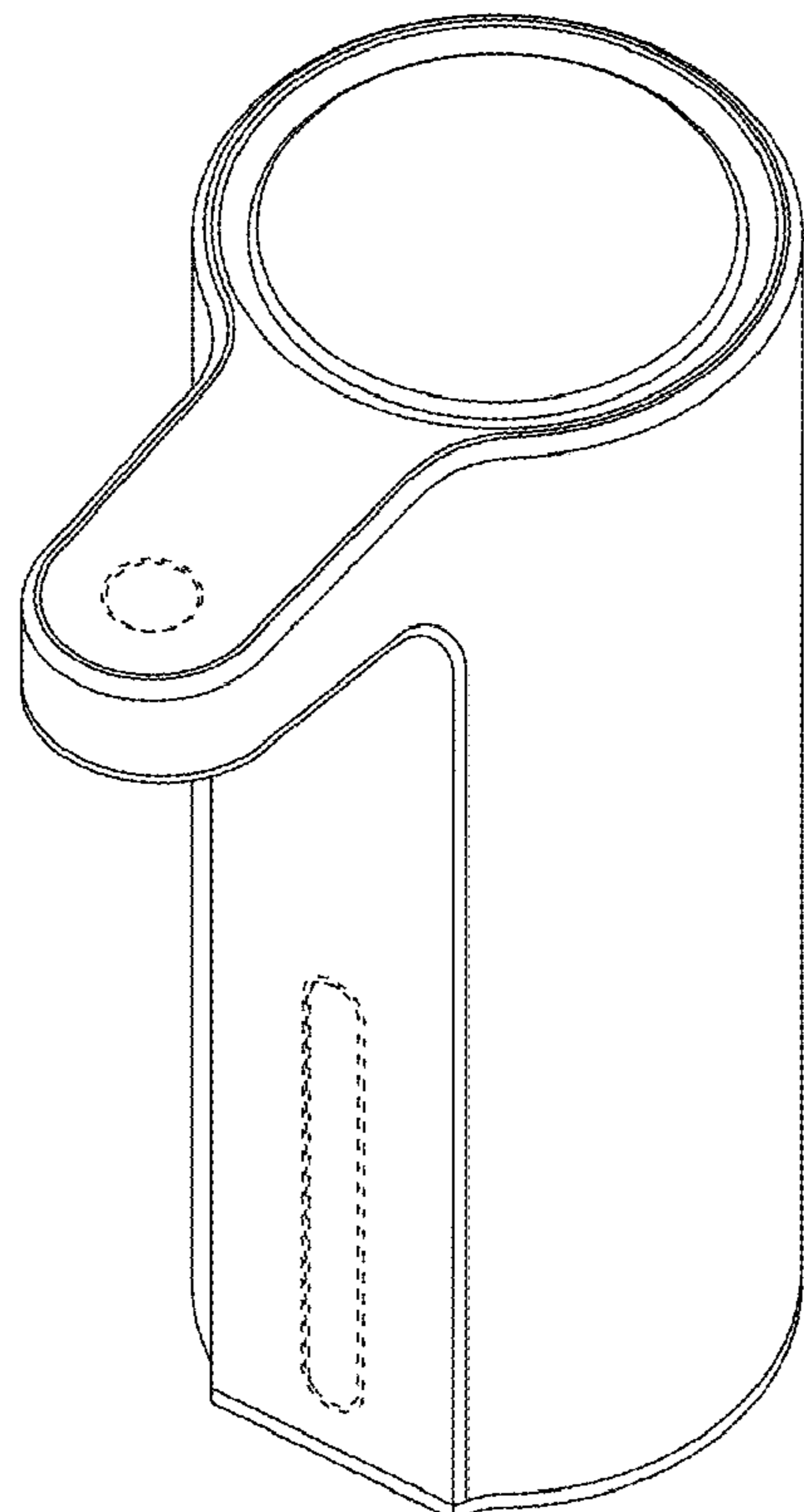
(56) **References Cited**
U.S. PATENT DOCUMENTS
D593,784 S * 6/2009 Chan D6/542
D626,365 S * 11/2010 Yang D6/542
D727,653 S * 4/2015 Bjerre-Poulsen D6/542
D770,798 S * 11/2016 Yang D6/542
D818,741 S * 5/2018 Yang D6/542
2016/0256016 A1* 9/2016 Yang A47K 5/14
* cited by examiner

Primary Examiner — Mark Booker
(74) *Attorney, Agent, or Firm* — William Dippert;
Laurence Greenberg; Werner Stemer

(57) **CLAIM**
The ornamental design for a sensor soap dispenser, as shown
and described.

DESCRIPTION
FIG. 1 is a perspective view of a sensor soap dispenser,
showing my new design.
FIG. 2 is a top plan view thereof.
FIG. 3 is a rear elevation view thereof.
FIG. 4 is a right-side elevation view thereof.
FIG. 5 is a front elevation view thereof.
FIG. 6 is a bottom plan view thereof; and,
FIG. 7 is a left-side elevation view thereof.
The broken lines in the drawings represent portions of the
sensor soap dispenser that are for illustrative purposes only
and do not form a part of the claimed design.

1 Claim, 4 Drawing Sheets



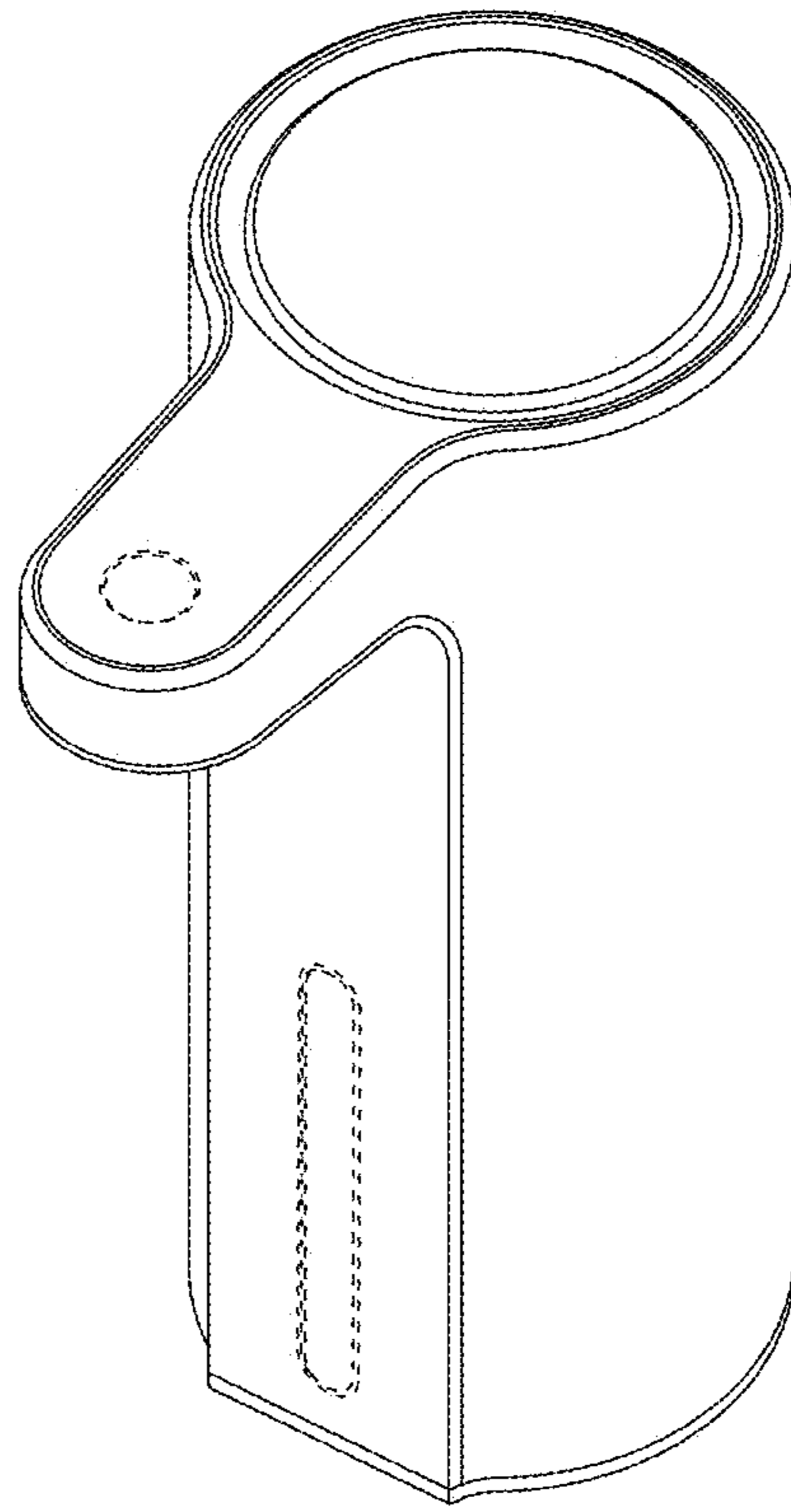


FIG. 1

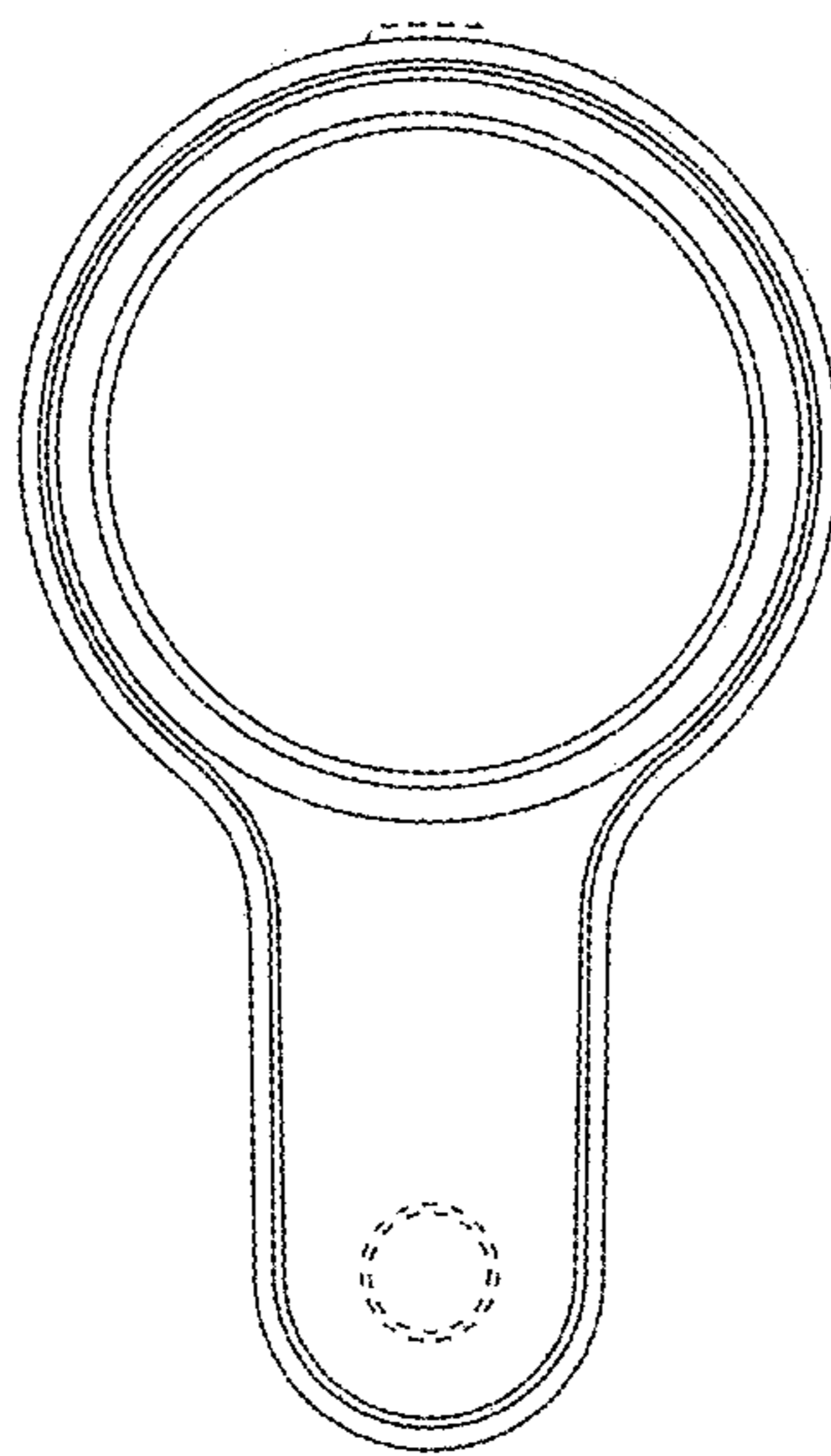


FIG. 2

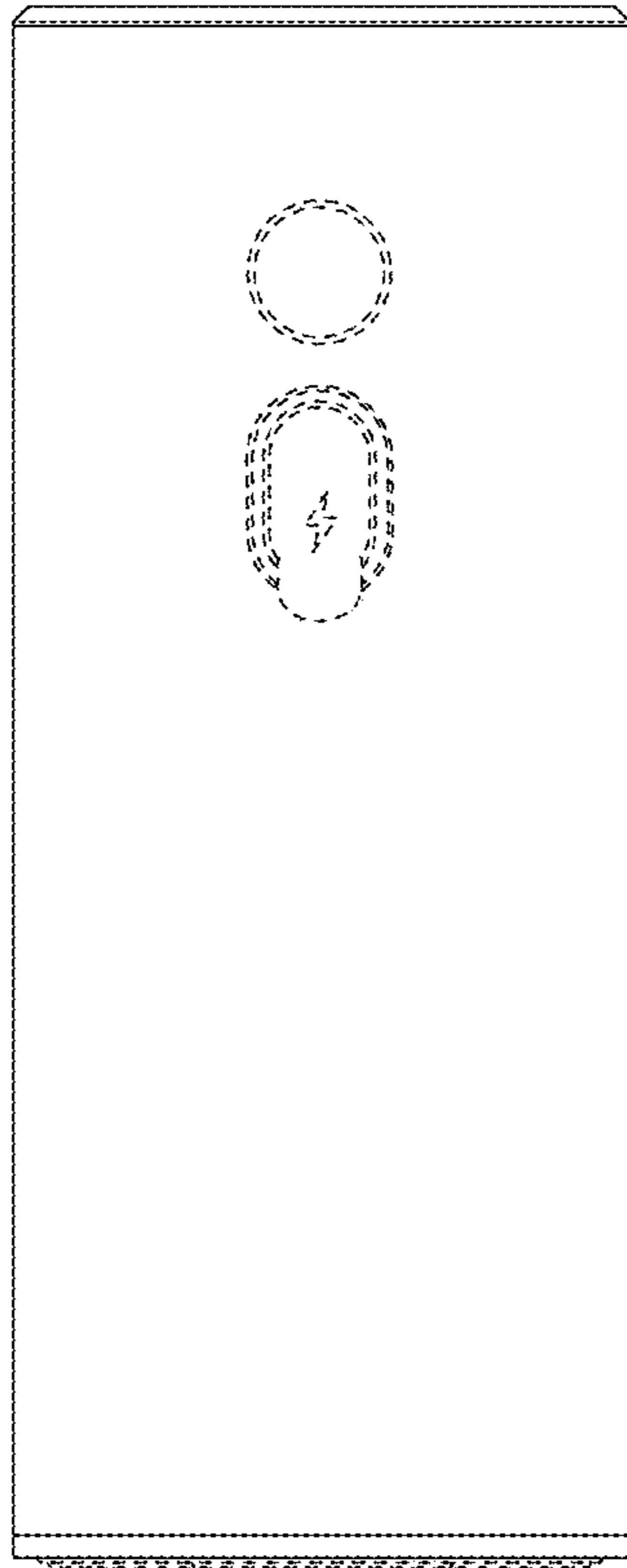


FIG. 3

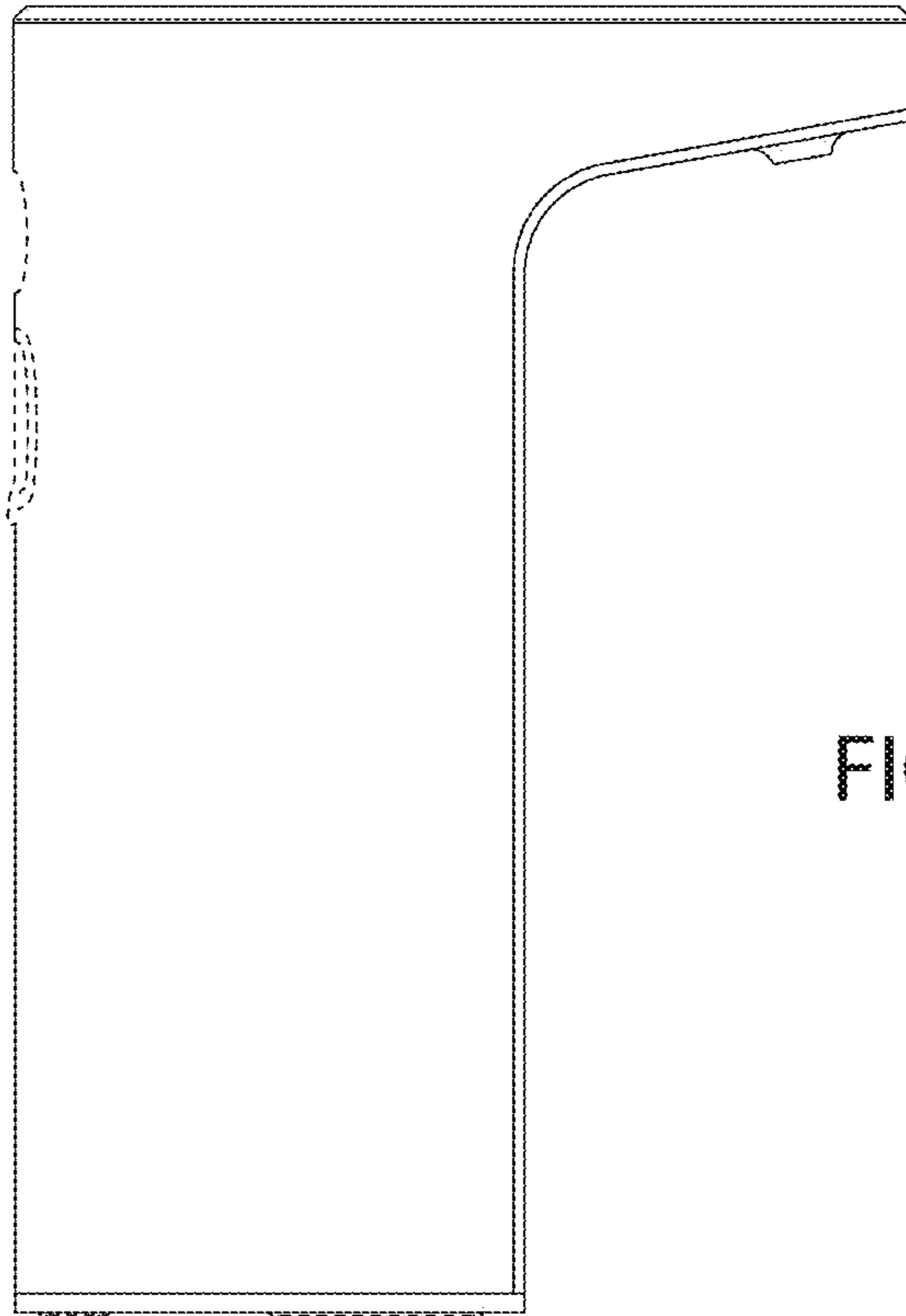


FIG. 4

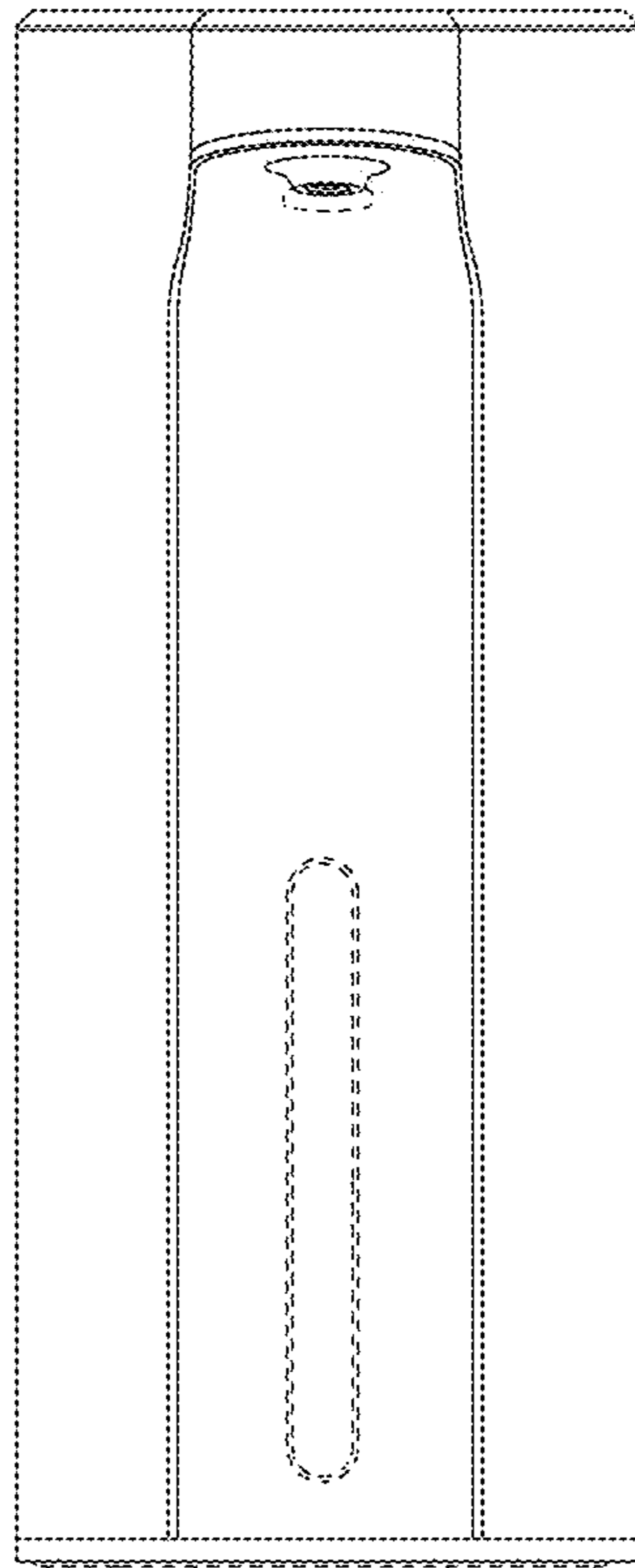


FIG. 5

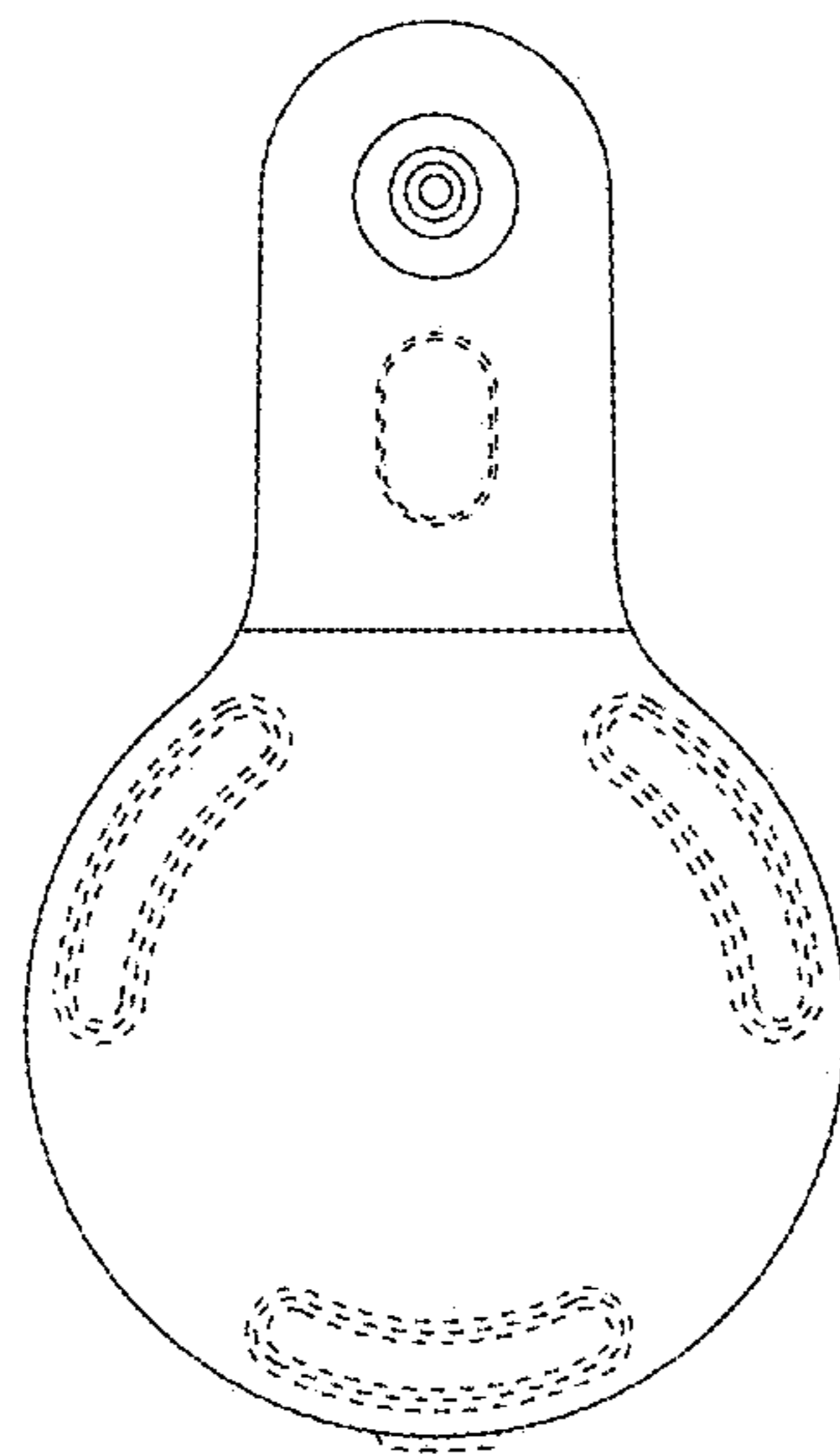


FIG. 6

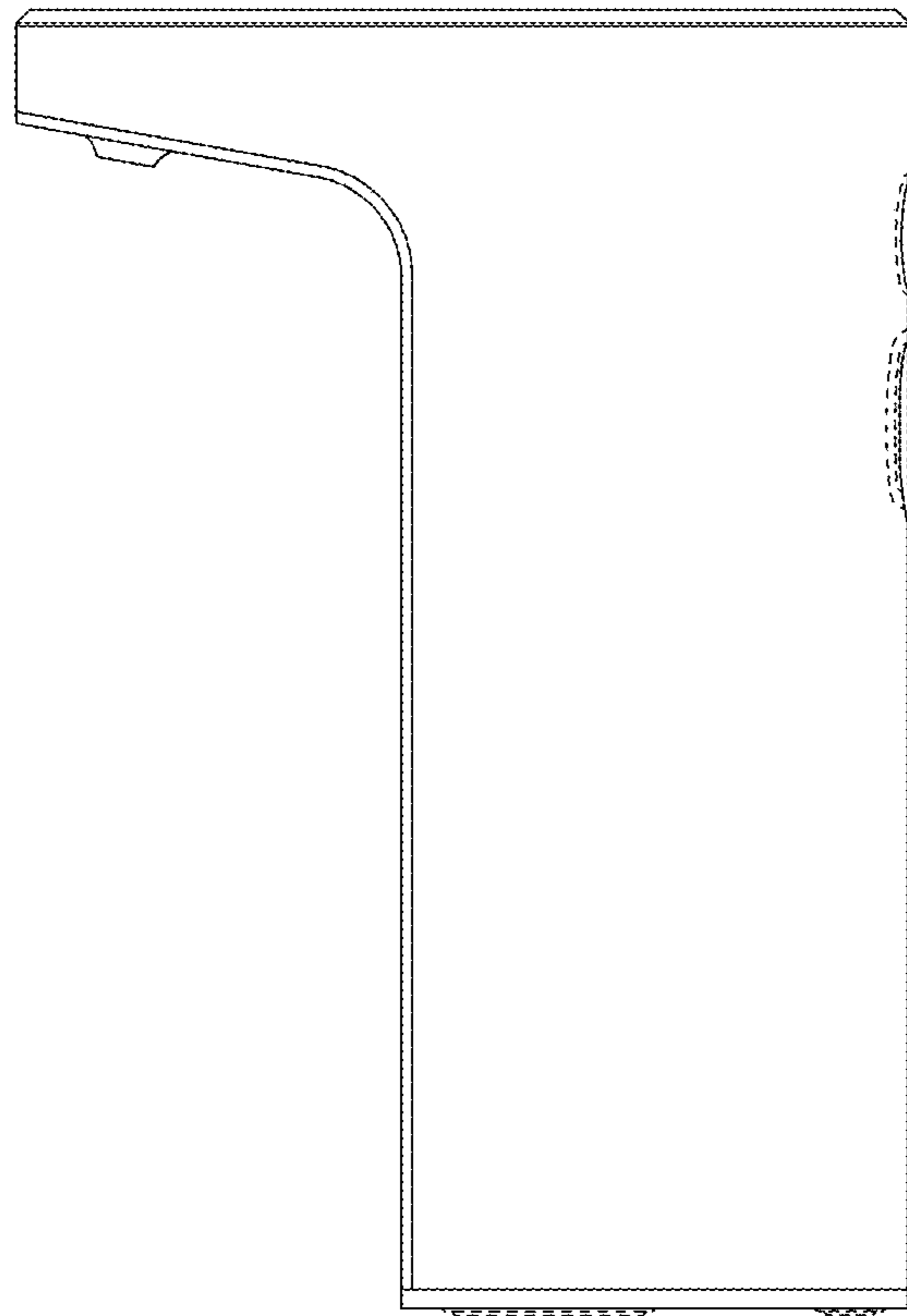


FIG. 7