



US00D916498S

(12) **United States Design Patent**
Guy et al.

(10) **Patent No.:** **US D916,498 S**

(45) **Date of Patent:** **** Apr. 20, 2021**

(54) **DISPENSER HOLDER**

- (71) Applicant: **King Technology Inc.**, Hopkins, MN (US)
- (72) Inventors: **David Guy**, Maple Grove, MN (US);
Terry Goeman, Minnetonka, MN (US);
Jeffrey Johnson, Edina, MN (US);
Paul Freeberg, South St. Paul, MN (US);
Lyle Enderson, Anoka, MN (US);
Darrin M. Swagel, Minnetonka, MN (US)
- (73) Assignee: **KING TECHNOLOGY INC**, Hopkins, MN (US)
- (**) Term: **15 Years**

- (21) Appl. No.: **29/659,553**
- (22) Filed: **Aug. 9, 2018**
- (51) **LOC (13) Cl.** **23-02**
- (52) **U.S. Cl.**
USPC **D6/542**
- (58) **Field of Classification Search**
USPC D6/449, 509, 511, 512, 524, 542-545,
D6/553, 567; 211/1, 71, 74-75, 86, 90,
211/134; 221/282; 222/173; 248/311.2,
248/311.3
CPC A47K 5/12; A47K 10/185; B60R 7/084;
A47G 23/02
See application file for complete search history.

(56) **References Cited**

U.S. PATENT DOCUMENTS

D629,255 S *	12/2010	Sellers	D7/590
D632,715 S *	2/2011	Chikigak	D15/150
2016/0318676 A1 *	11/2016	Choi	B65D 51/246
2019/0048604 A1 *	2/2019	Guy	B01F 1/0027

* cited by examiner

Primary Examiner — Mark Booker

(74) *Attorney, Agent, or Firm* — Johnson & Phung LLC

(57) **CLAIM**

The ornamental design for a dispenser holder, as shown and described.

DESCRIPTION

FIG. 1 is a front perspective view of a dispensing holder showing our new design;
 FIG. 2 is a front side elevation thereof
 FIG. 3 is a right side elevation thereof;
 FIG. 4 is a backside elevation view thereof;
 FIG. 5 is a left side elevation thereof;
 FIG. 6 is a top plan view thereof; and,
 FIG. 7 is a bottom plan view thereof.
 The broken lines shown in the figures represent portions of the dispenser holder that form no part of the claimed design.

1 Claim, 2 Drawing Sheets

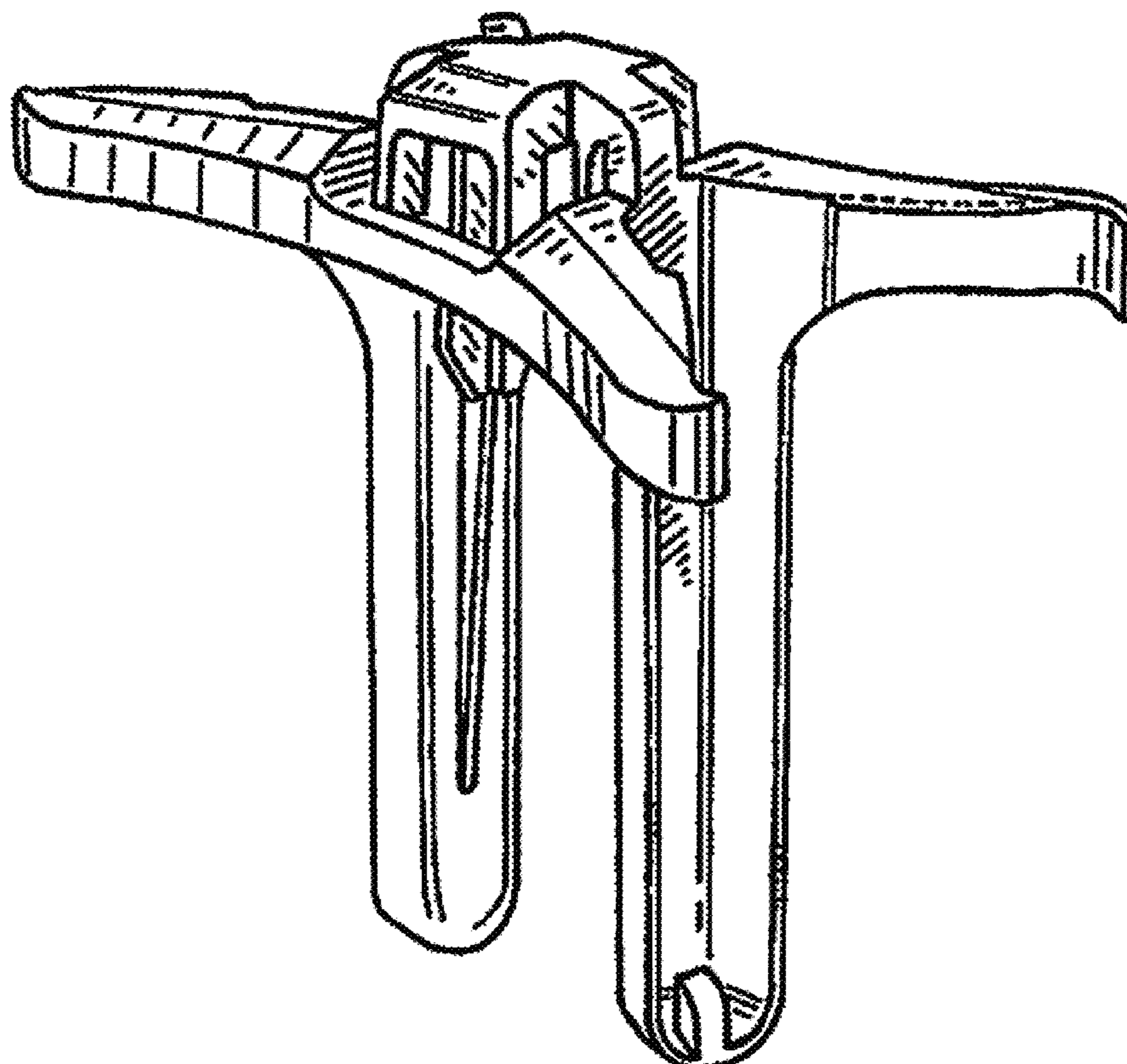


FIG. 1

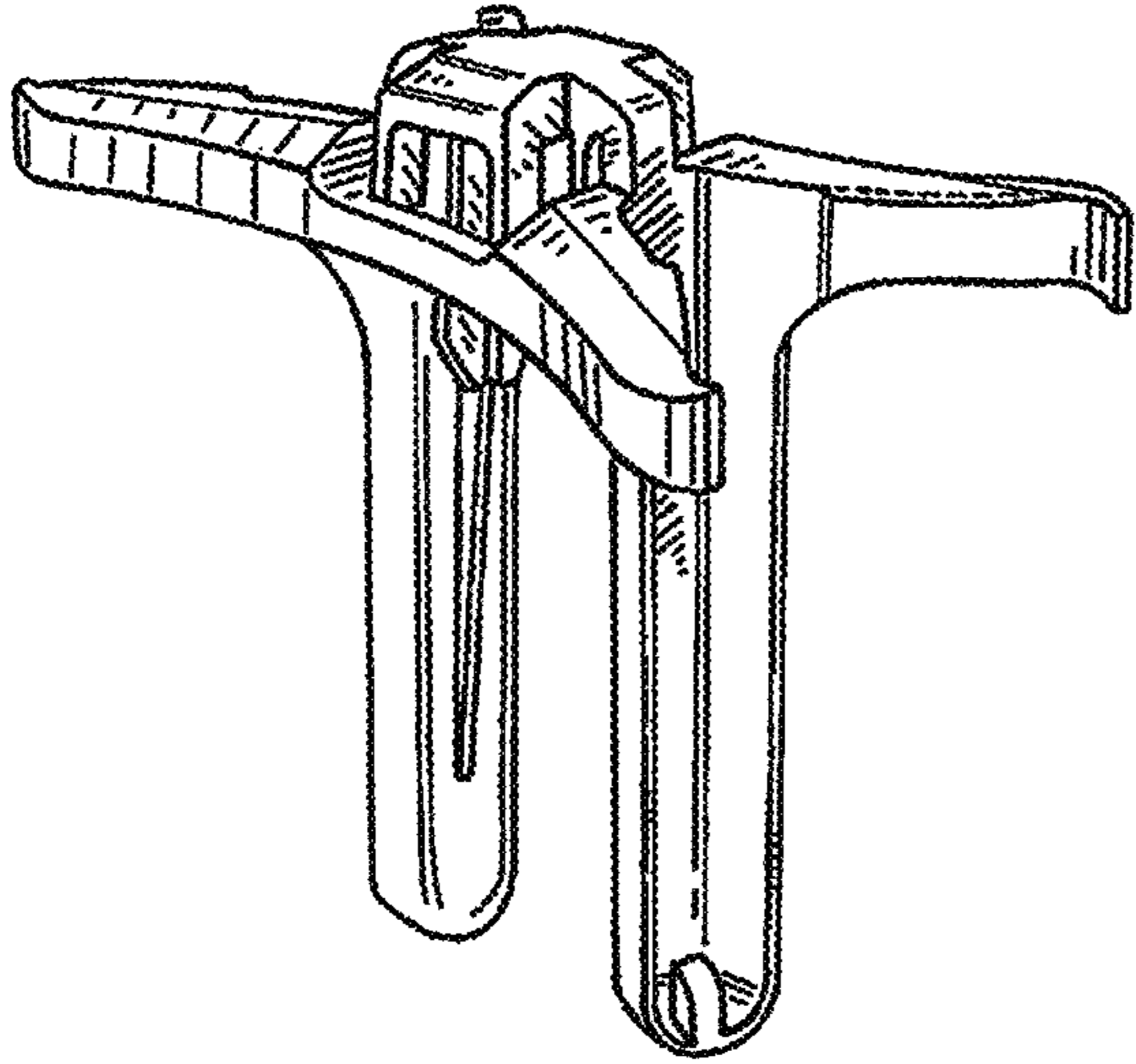


FIG. 2

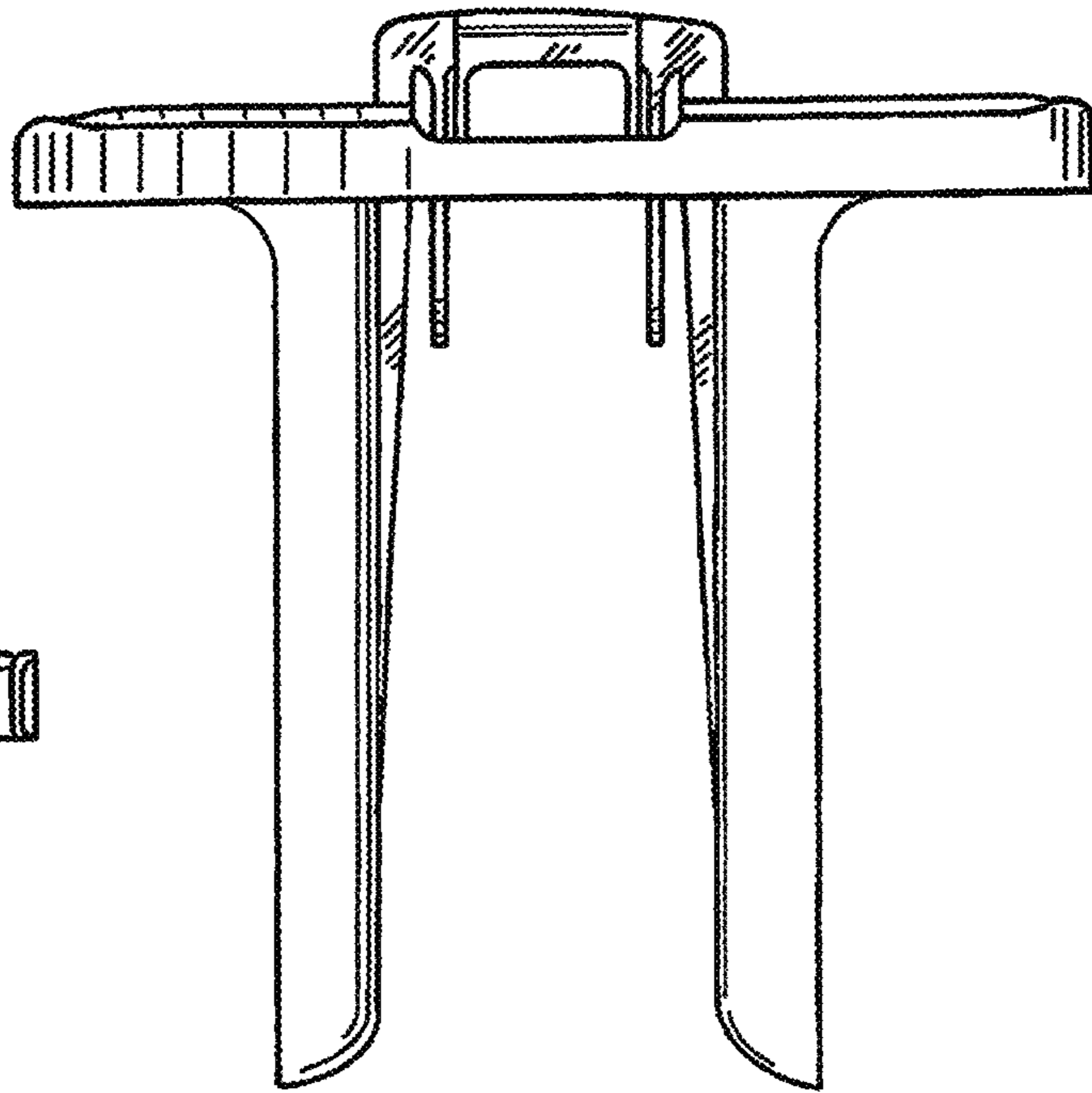


FIG. 3

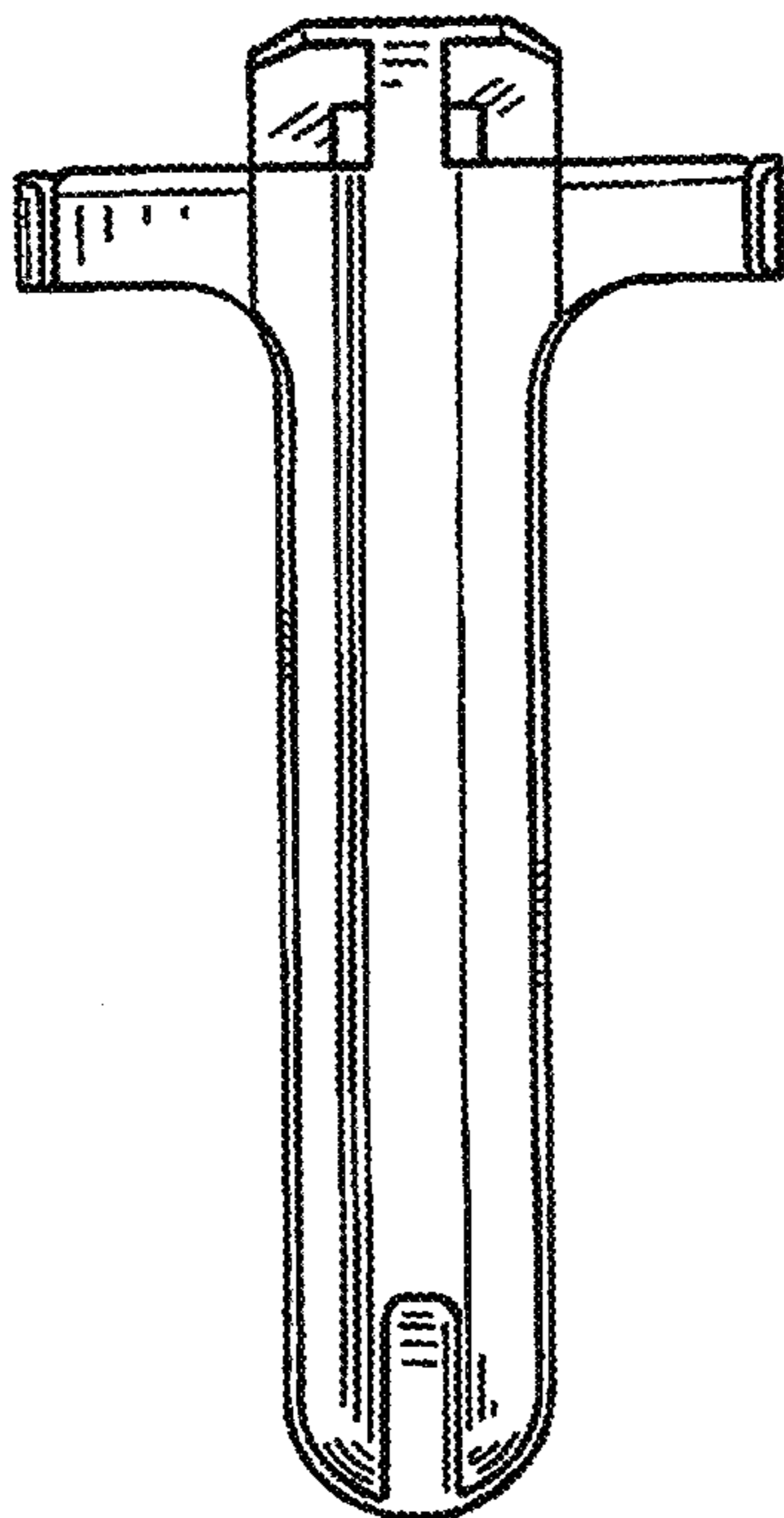


FIG. 4

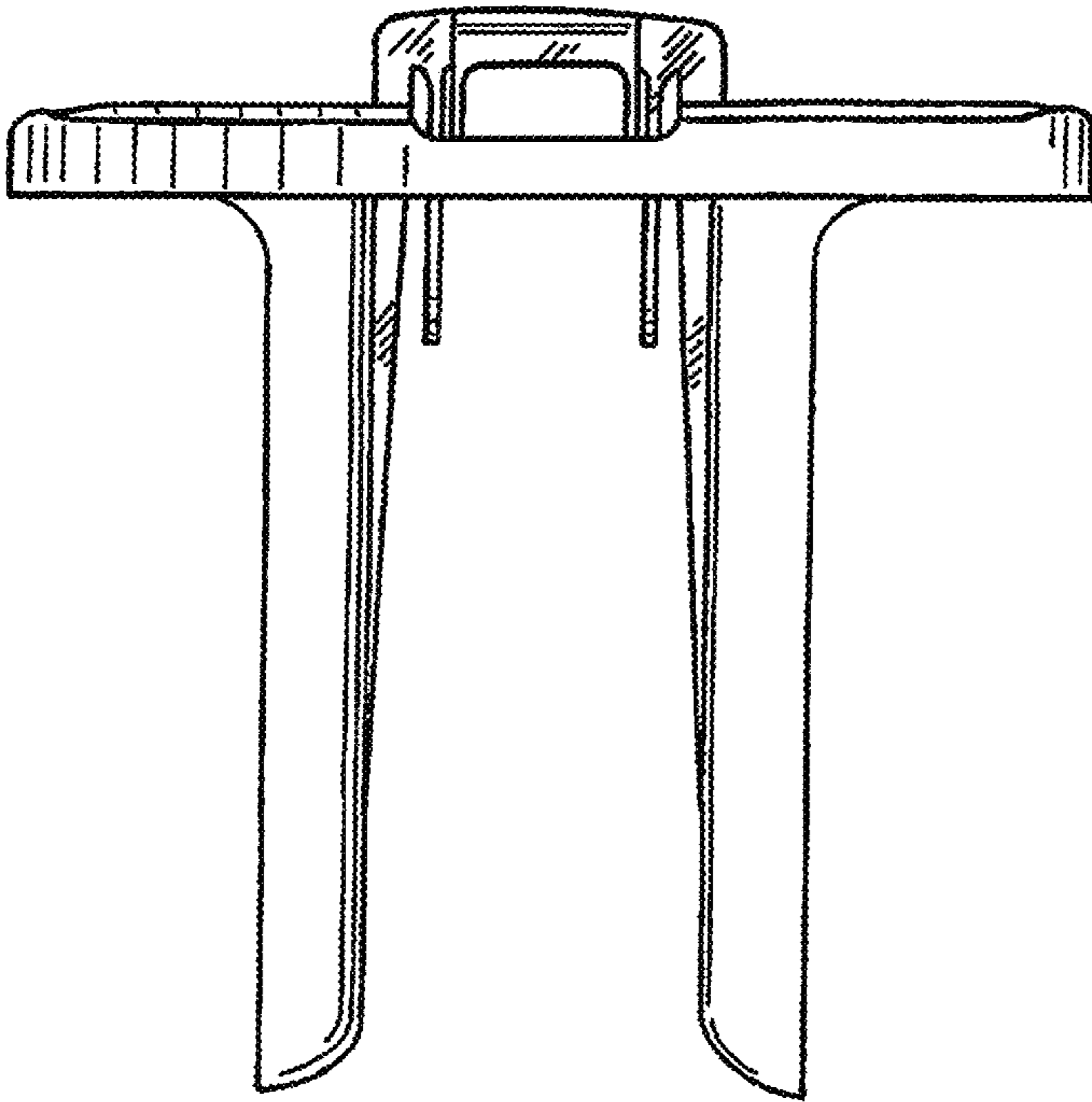


FIG. 5

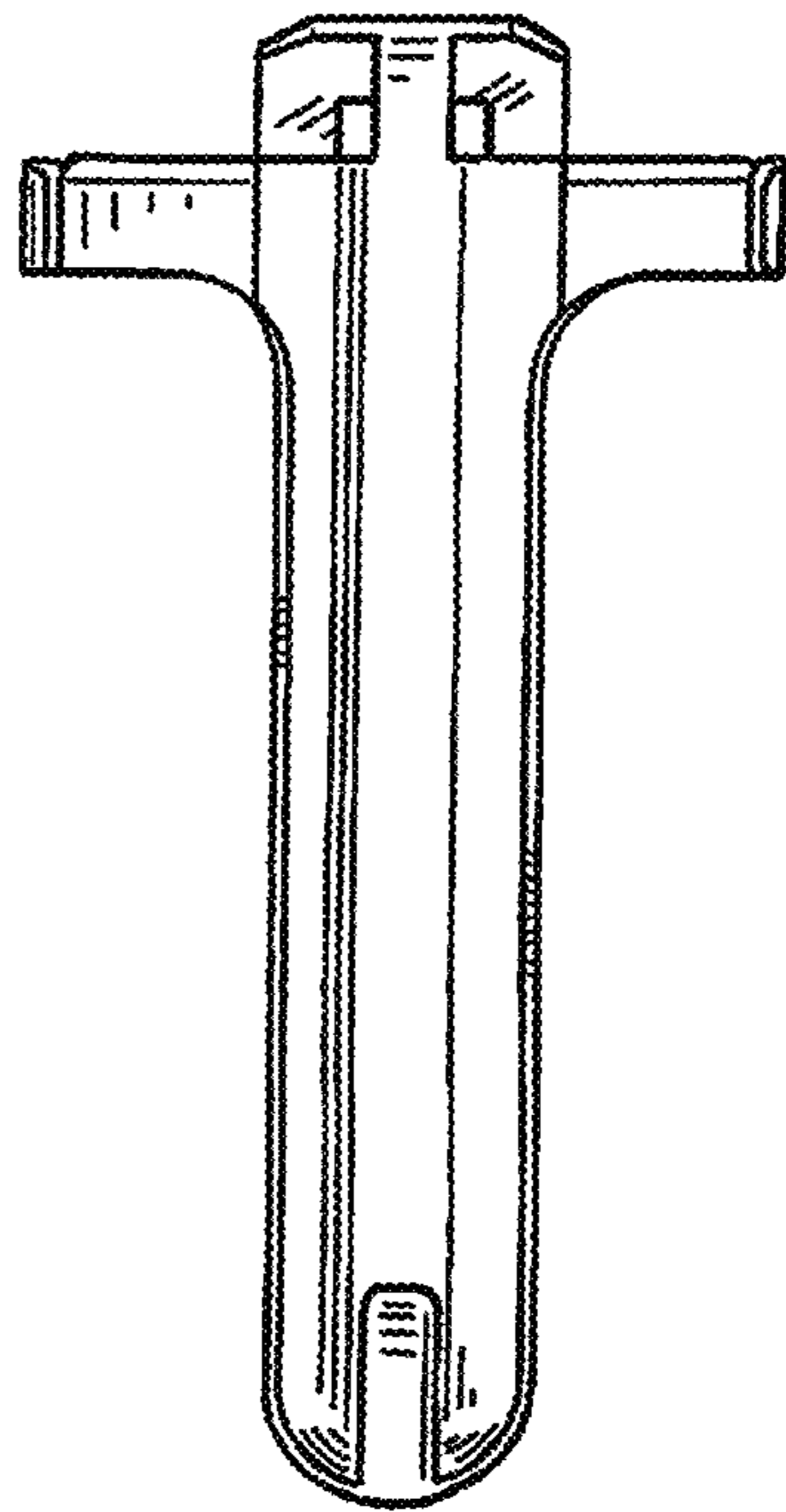


FIG. 6

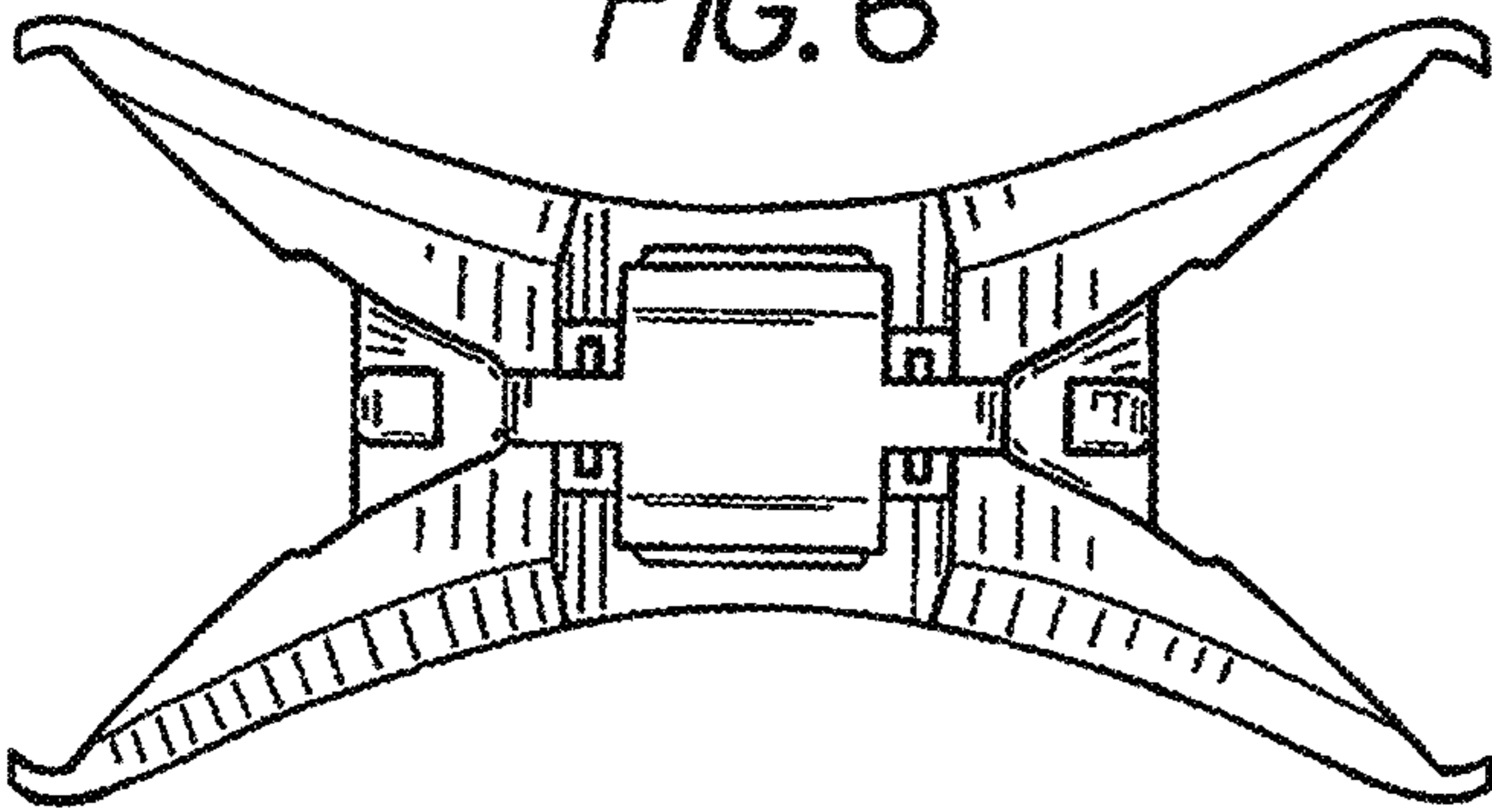


FIG. 7

