



US00D916496S

(12) **United States Design Patent** (10) **Patent No.:** **US D916,496 S**
Kim (45) **Date of Patent:** **** Apr. 20, 2021**

(54) **CIRCULAR MAGNET FOR TOOTH BRUSH HOLDER**

(71) Applicant: **VENTURES LAB CO., LTD.**, Paju (KR)

(72) Inventor: **Ji Youn Kim**, Seoul (KR)

(73) Assignee: **Ventures Lab, Co., Ltd.**, Paju (KR)

(**) Term: **15 Years**

(21) Appl. No.: **29/690,389**

(22) Filed: **May 7, 2019**

(51) **LOC (13) Cl.** **23-02**

(52) **U.S. Cl.**
USPC **D6/534**

(58) **Field of Classification Search**
USPC D6/553, 534, 526, 527, 528, 529-531, D6/551; D8/373, 352, 394, 499; D13/133, 154, 183, 184, 199; D14/204, D14/221, 222; D28/82; 24/619, 691; 206/208, 209, 209.1, 228, 361, 362, 206/362.1, 362.2, 362.3, 818
CPC A47K 1/09; A47K 5/18; A45D 44/18
See application file for complete search history.

(56) **References Cited**

U.S. PATENT DOCUMENTS

D451,730 S * 12/2001 Henderson D6/534
6,371,420 B1 * 4/2002 Strunk A46B 15/0002
15/105
D569,150 S * 5/2008 Vasilev D6/534

D661,930 S * 6/2012 Gebski D6/534
D697,800 S * 1/2014 Villarreal D9/504
D698,581 S * 2/2014 Arboleda D6/534
D759,605 S * 6/2016 Kimble D13/183
D851,035 S * 6/2019 Hong D13/108
D864,345 S * 10/2019 Yi D22/109
2016/0015147 A1 * 1/2016 Lampard A45D 27/46
206/208

FOREIGN PATENT DOCUMENTS

KR S-30-2018-0052045 11/2018

* cited by examiner

Primary Examiner — Mark Booker

(74) *Attorney, Agent, or Firm* — Lewis Brisbois Bisgaard Smith

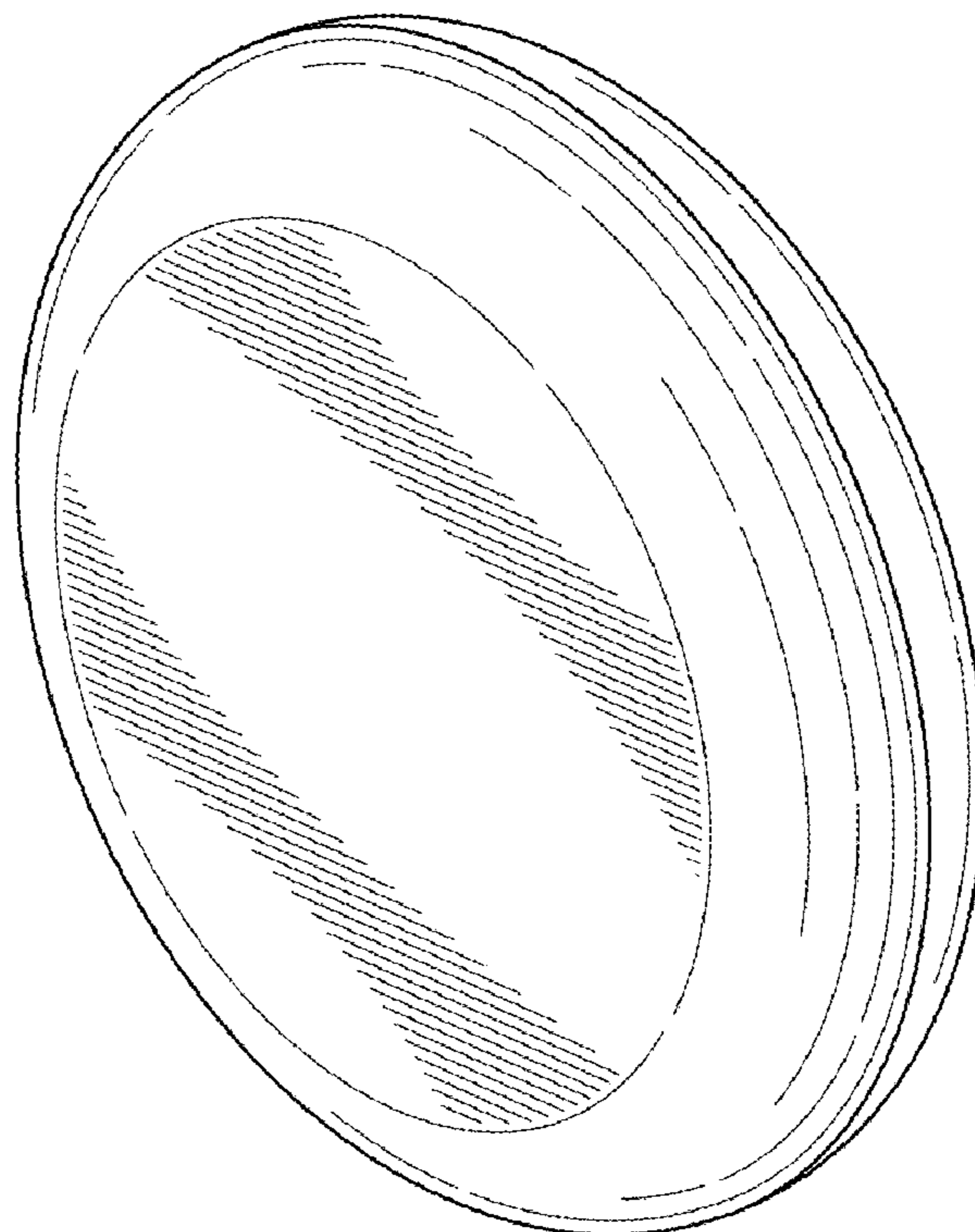
(57) **CLAIM**

The ornamental design for a circular magnet for tooth brush holder, as shown and described.

DESCRIPTION

FIG. 1 is a top perspective view of the circular magnet for tooth brush holder showing the new design; FIG. 2 is a bottom perspective view thereof; FIG. 3 is a top plan view thereof; FIG. 4 is a bottom plan view thereof; FIG. 5 is a side elevation view thereof; and, FIG. 6 is a perspective view of the circular magnet for tooth brush holder in an example configuration. The broken lines shown are included for the purpose of illustrating the unclaimed portions of the article and form no part of the claim.

1 Claim, 3 Drawing Sheets



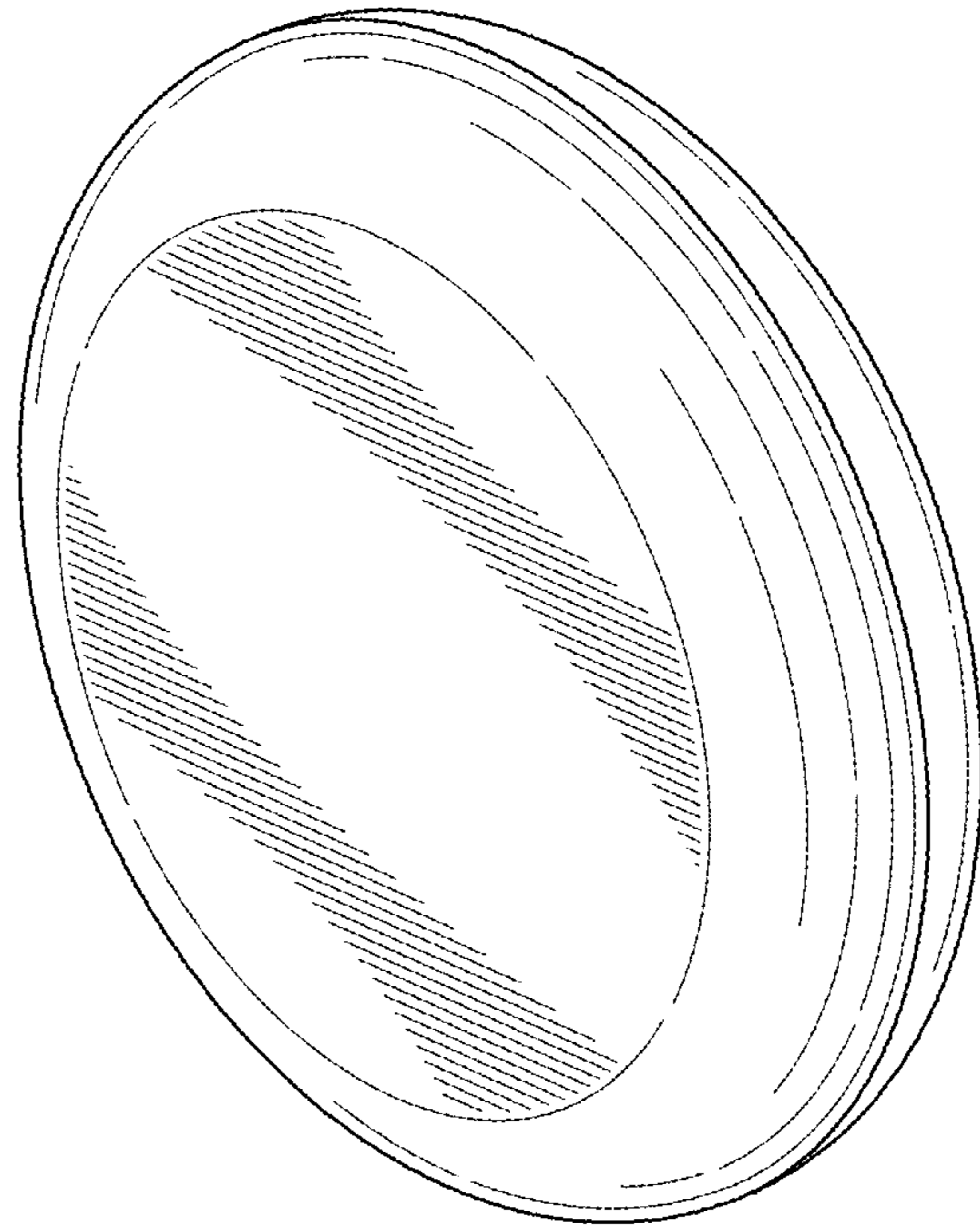


FIG. 1

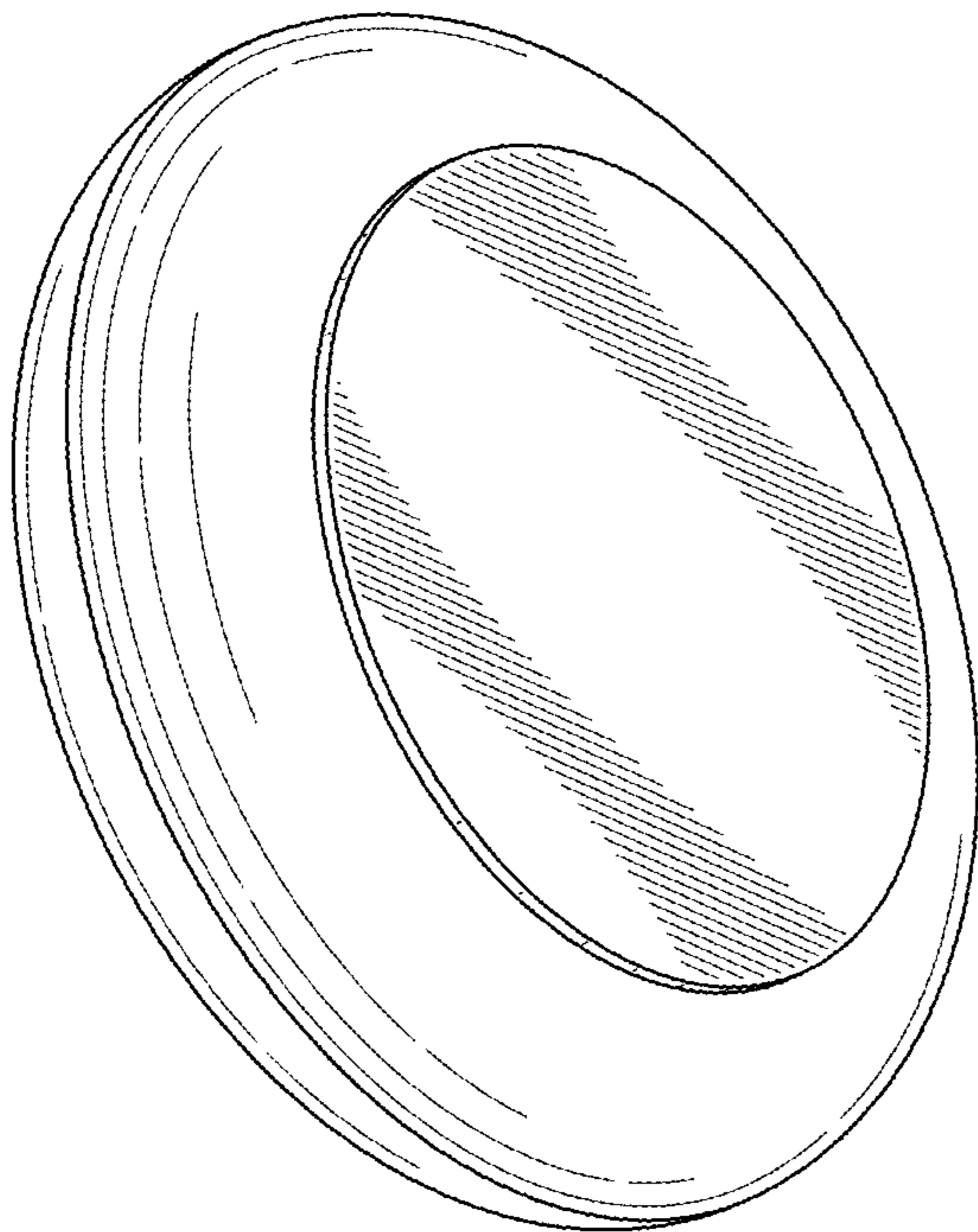


FIG. 2

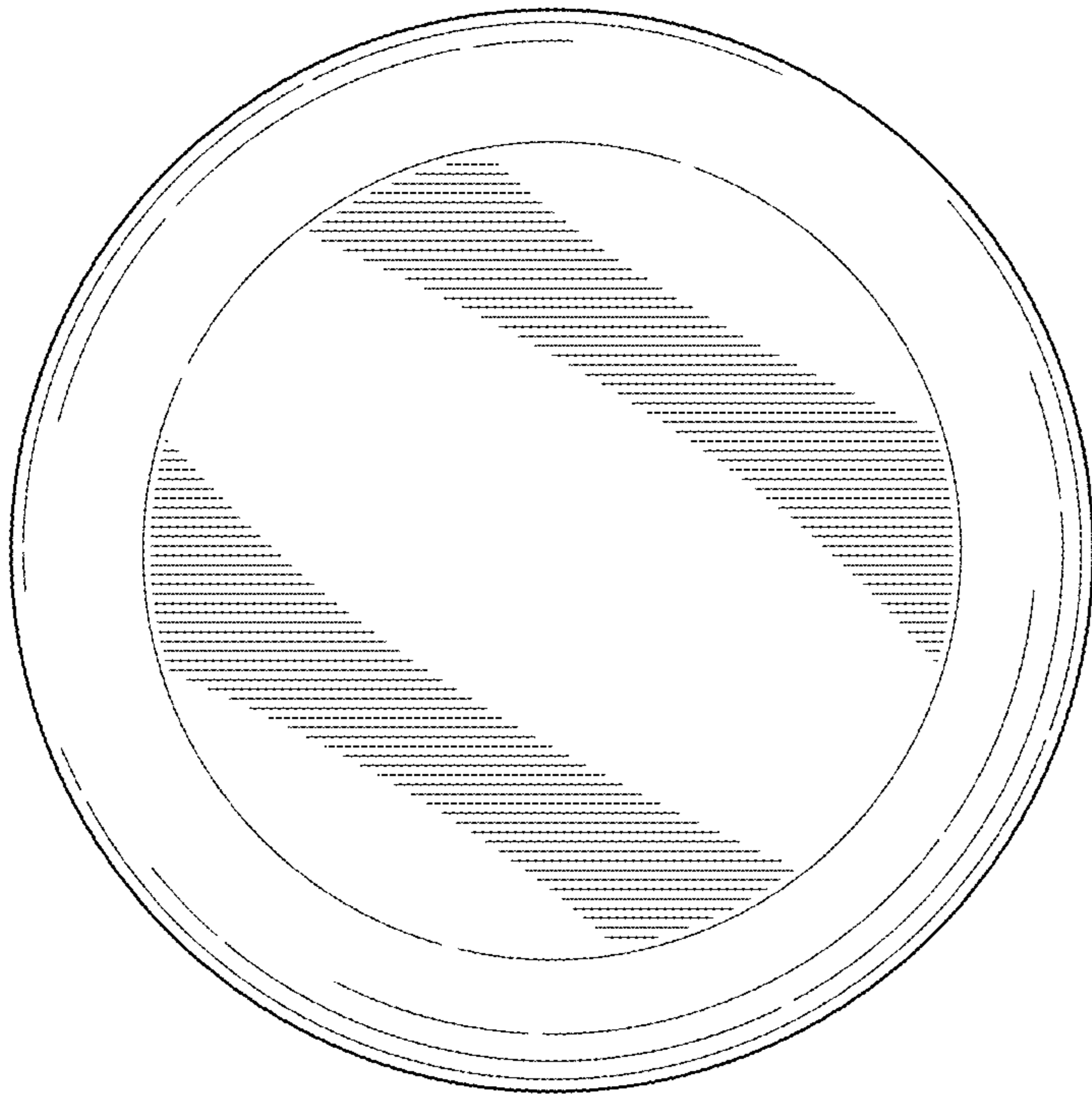


FIG. 3

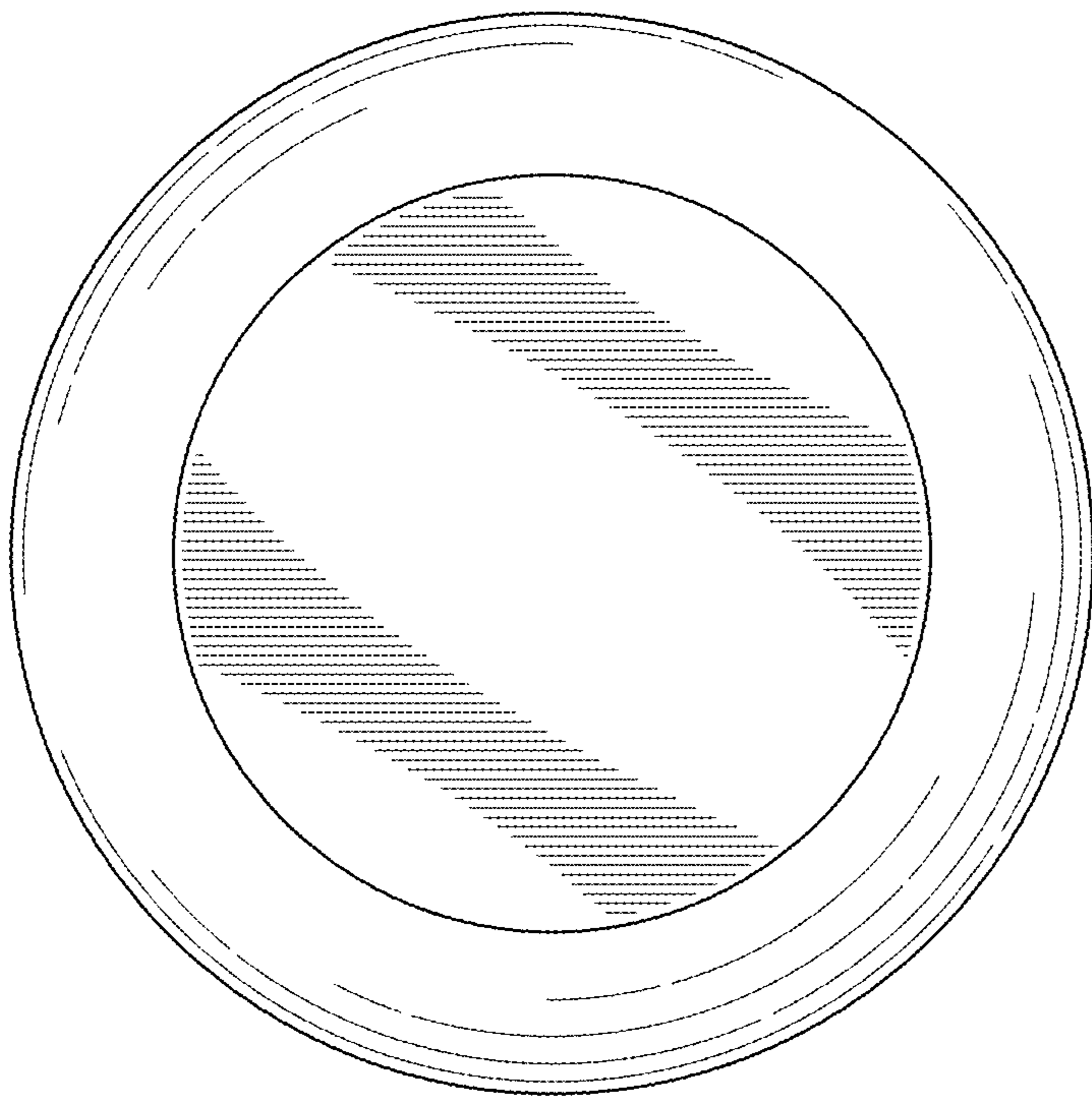


FIG. 4

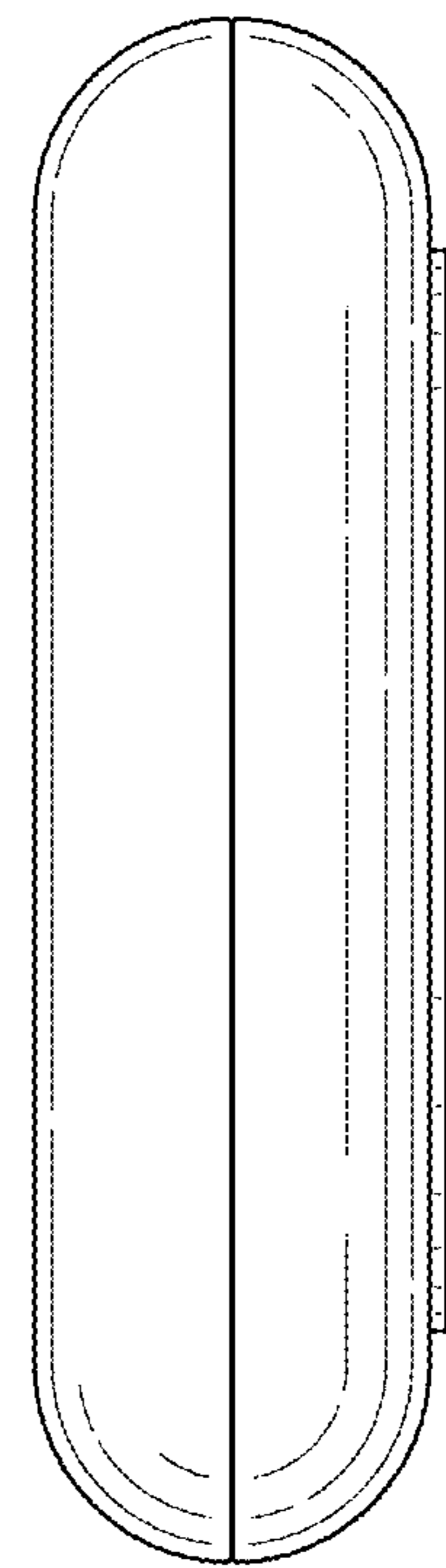


FIG. 5

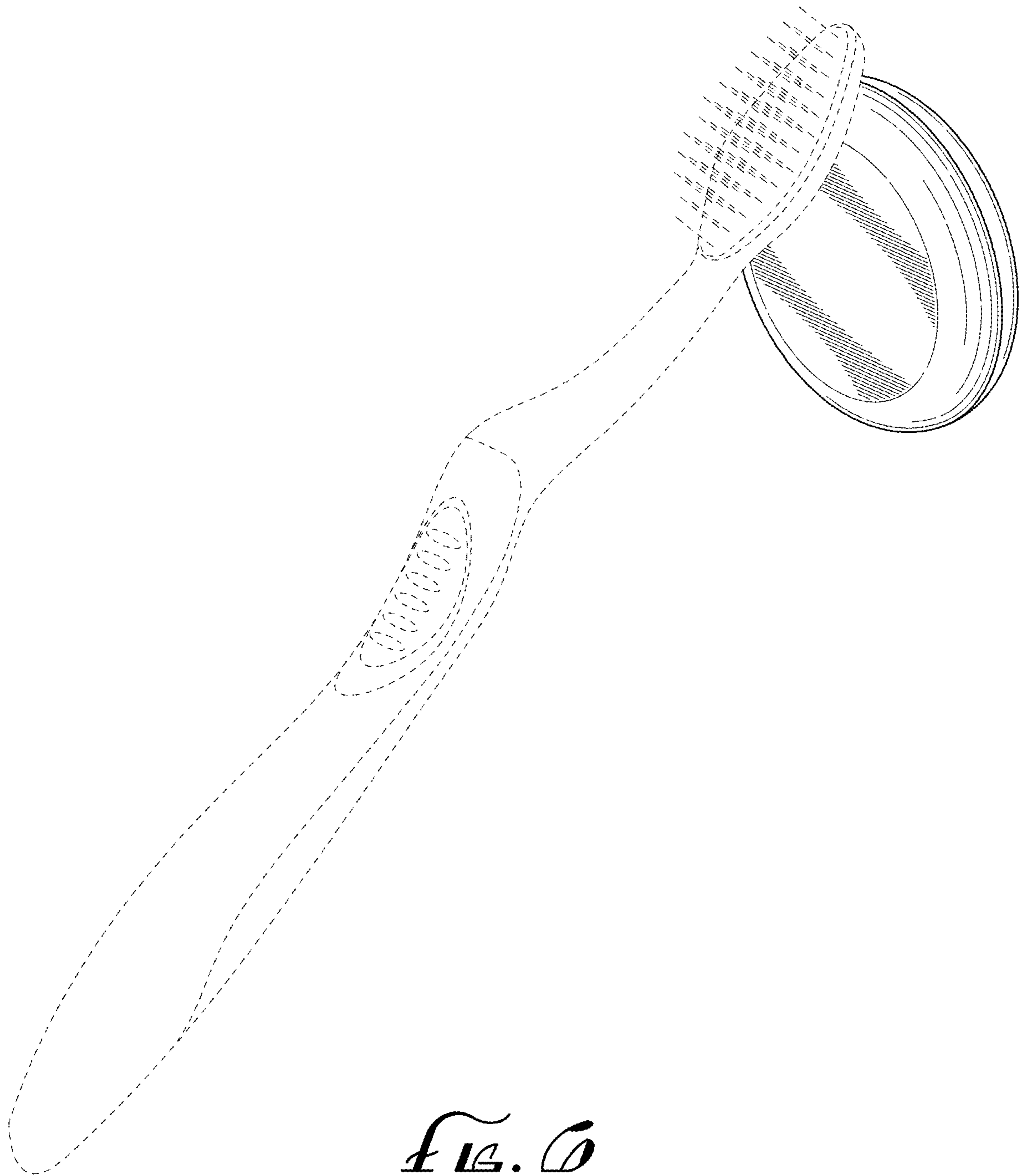


FIG. 6