



US00D916492S

(12) **United States Design Patent** (10) **Patent No.:** **US D916,492 S**
Wexler et al. (45) **Date of Patent:** **** Apr. 20, 2021**

- (54) **WIPES DISPENSER**
- (71) Applicant: **Medline Industries, Inc.**, Northfield, IL (US)
- (72) Inventors: **Paige Wexler**, Highland Park, IL (US); **Michael Turturro**, Arlington Heights, IL (US); **Megan Henken**, Lake Villa, IL (US)
- (73) Assignee: **Medline Industries, Inc.**, Northfield, IL (US)
- (**) Term: **15 Years**
- (21) Appl. No.: **29/675,053**
- (22) Filed: **Dec. 28, 2018**
- (51) **LOC (13) Cl.** **20-02**
- (52) **U.S. Cl.**
USPC **D6/523**
- (58) **Field of Classification Search**
USPC D6/523, 518-522; 206/389, 391;
221/46, 197, 286, 287, 34, 45; 222/173;
D19/86, 95
CPC A47K 10/421; A47K 10/32; A47K 10/40;
A47K 10/38; A47K 2010/324
See application file for complete search history.

- 6,158,614 A 12/2000 Haines
 - 6,220,435 B1 4/2001 Nobile
 - 6,299,027 B1 10/2001 Berge
 - 6,431,380 B1 8/2002 Branson
 - 6,634,037 B2 10/2003 Turbett
 - 6,648,132 B1 11/2003 Smouha
 - D499,288 S * 12/2004 Taylor D6/520
 - 6,899,250 B2 5/2005 FitzSimons
- (Continued)

FOREIGN PATENT DOCUMENTS

- EP 0502751 A2 9/1992
 - EP 0748748 A1 12/1996
- (Continued)

OTHER PUBLICATIONS

Jamar, San, "Kleen Keeper Wet Wipe Dispenser," https://youtu.be/Ky_TYjply4A, published May 8, 2018.

Primary Examiner — Mark Booker
(74) *Attorney, Agent, or Firm* — Fitch, Even, Tabin & Flannery LLP

(57) **CLAIM**

The ornamental design for a wipes dispenser, as shown and described.

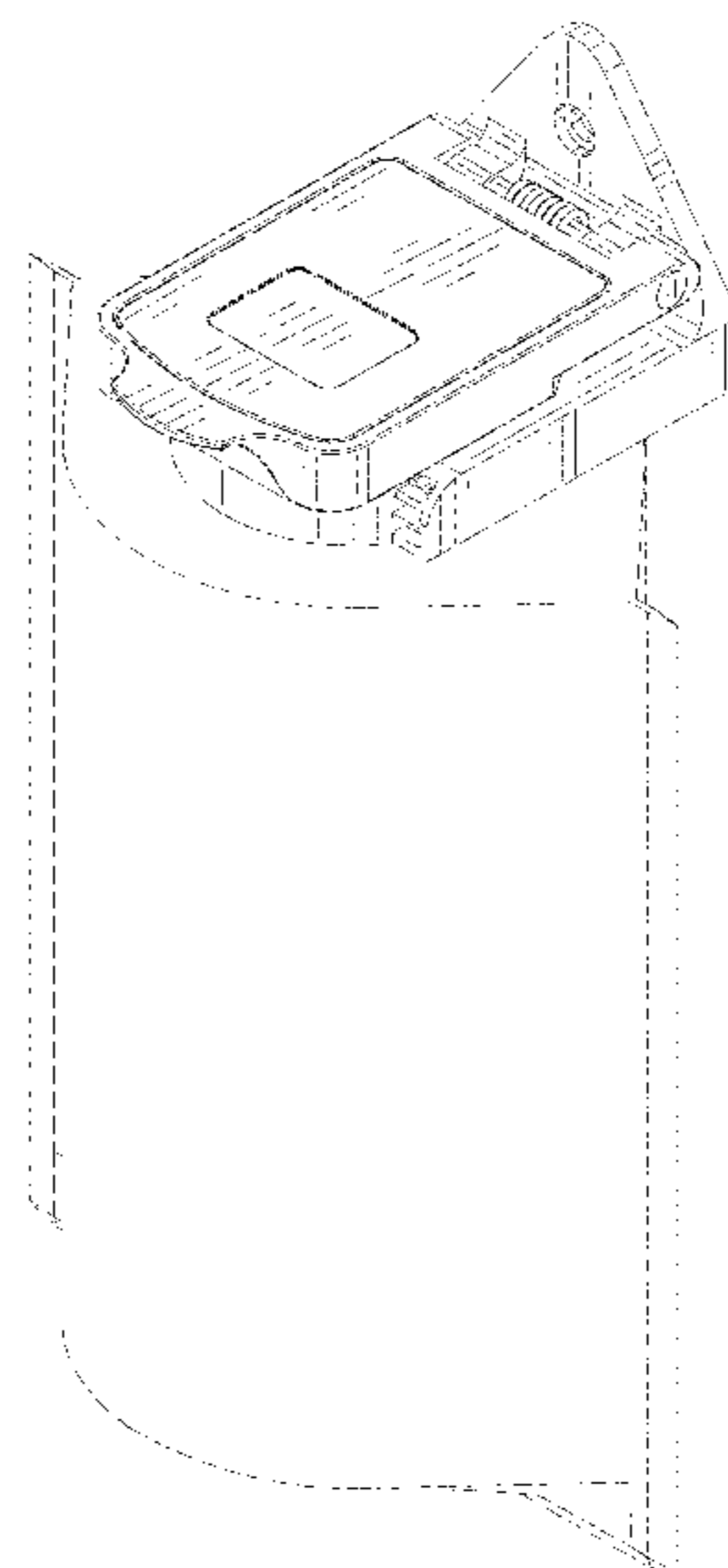
DESCRIPTION

FIG. 1 is a top, front perspective view of a wipes dispenser in accordance with our new design;
FIG. 2 is a bottom, rear perspective view thereof;
FIG. 3 is a front elevation view thereof;
FIG. 4 is a rear elevation view thereof;
FIG. 5 is a right side elevation view thereof;
FIG. 6 is a left side elevation view thereof;
FIG. 7 is a top plan view thereof; and,
FIG. 8 is a bottom plan view thereof.
The broken lines depict portions of the wipes dispenser that form no part of the claimed design.

1 Claim, 8 Drawing Sheets

(56) **References Cited**
U.S. PATENT DOCUMENTS

- 2,338,604 A 1/1944 Silveyra
- 3,252,632 A 5/1966 Hagenes
- 3,986,479 A 10/1976 Bonk
- 4,240,271 A 12/1980 Brownlow
- 4,790,436 A 12/1988 Nakamura
- 5,469,987 A 11/1995 Honkawa
- 5,516,001 A 5/1996 Muckenfuhs
- 5,715,971 A 2/1998 Morand
- 5,718,353 A 2/1998 Kanfer
- 5,765,718 A 6/1998 Grasso
- 6,053,356 A 4/2000 Emoff



(56)

References Cited

U.S. PATENT DOCUMENTS

6,948,643 B1 9/2005 Lohrman
 8,777,053 B2 7/2014 Bunoz
 D719,373 S * 12/2014 Hawry D6/518
 D764,208 S * 8/2016 Shafran D6/523
 D818,288 S * 5/2018 Lambert D6/518
 D877,528 S * 3/2020 Davies D6/518
 2004/0084471 A1 5/2004 Taylor
 2004/0173635 A1 9/2004 Bunoz
 2005/0067313 A1 3/2005 Banik
 2005/0109871 A1 5/2005 Mitchell
 2006/0118567 A1 6/2006 Linnebur
 2006/0157496 A1 7/2006 Tagliareni
 2006/0261076 A1 11/2006 Anderson
 2006/0283752 A1 12/2006 Alegre de Miquel
 2006/0283873 A1 12/2006 Bostic
 2008/0078857 A1 4/2008 Parietti
 2009/0120951 A1 5/2009 Titas
 2009/0200331 A1 8/2009 Bunoz
 2009/0223993 A1 9/2009 Lorenzati
 2010/0032445 A1 2/2010 Bunoz
 2010/0300915 A1 12/2010 Kakura
 2011/0011767 A1 1/2011 Gehring
 2011/0192862 A1 8/2011 Knudsen
 2011/0309099 A1 12/2011 Bando

2012/0211509 A1* 8/2012 Granger A47K 10/32
 221/34
 2012/0305587 A1 12/2012 Williford
 2013/0075417 A1 3/2013 Granger
 2013/0313279 A1 11/2013 Sudworth
 2014/0374433 A1 12/2014 Wilson
 2015/0021351 A1* 1/2015 Kaneko G01C 22/006
 221/45
 2015/0196176 A1 7/2015 Felix
 2015/0250364 A1 9/2015 Yamada
 2015/0374182 A1 12/2015 Delaney
 2016/0143490 A1 5/2016 Yamada
 2017/0245699 A1 8/2017 Keily
 2017/0354299 A1 12/2017 Schöler
 2018/0153359 A1 6/2018 Ziebart
 2019/0246849 A1* 8/2019 Adams B65D 75/5855

FOREIGN PATENT DOCUMENTS

EP 1000577 A1 5/2000
 GB 1406124 A 9/1975
 WO 0102266 A1 1/2001
 WO 2001005679 A1 1/2001
 WO 0241742 A1 5/2002
 WO 2010068590 A1 6/2010
 WO 2017218125 A1 12/2017

* cited by examiner

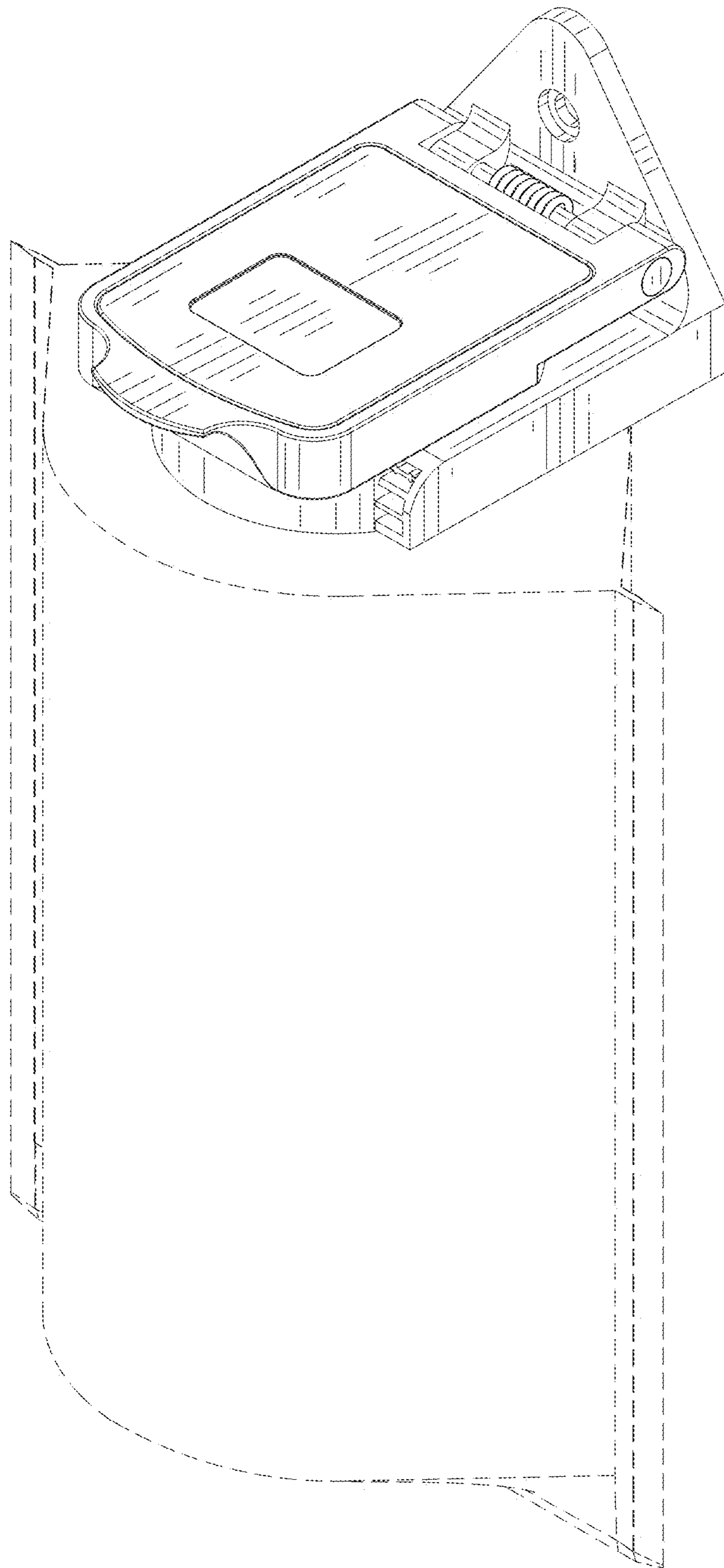


FIG. 1

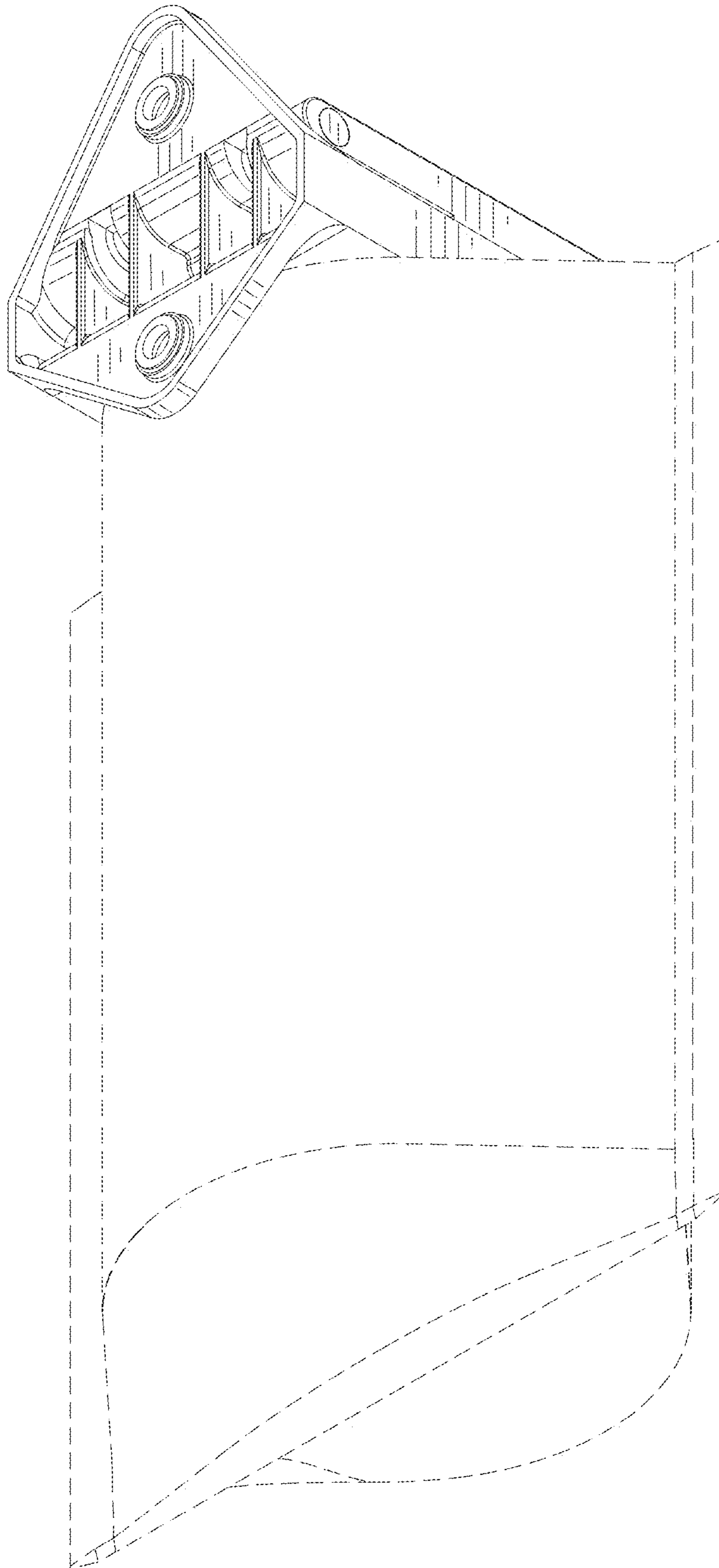


FIG. 2

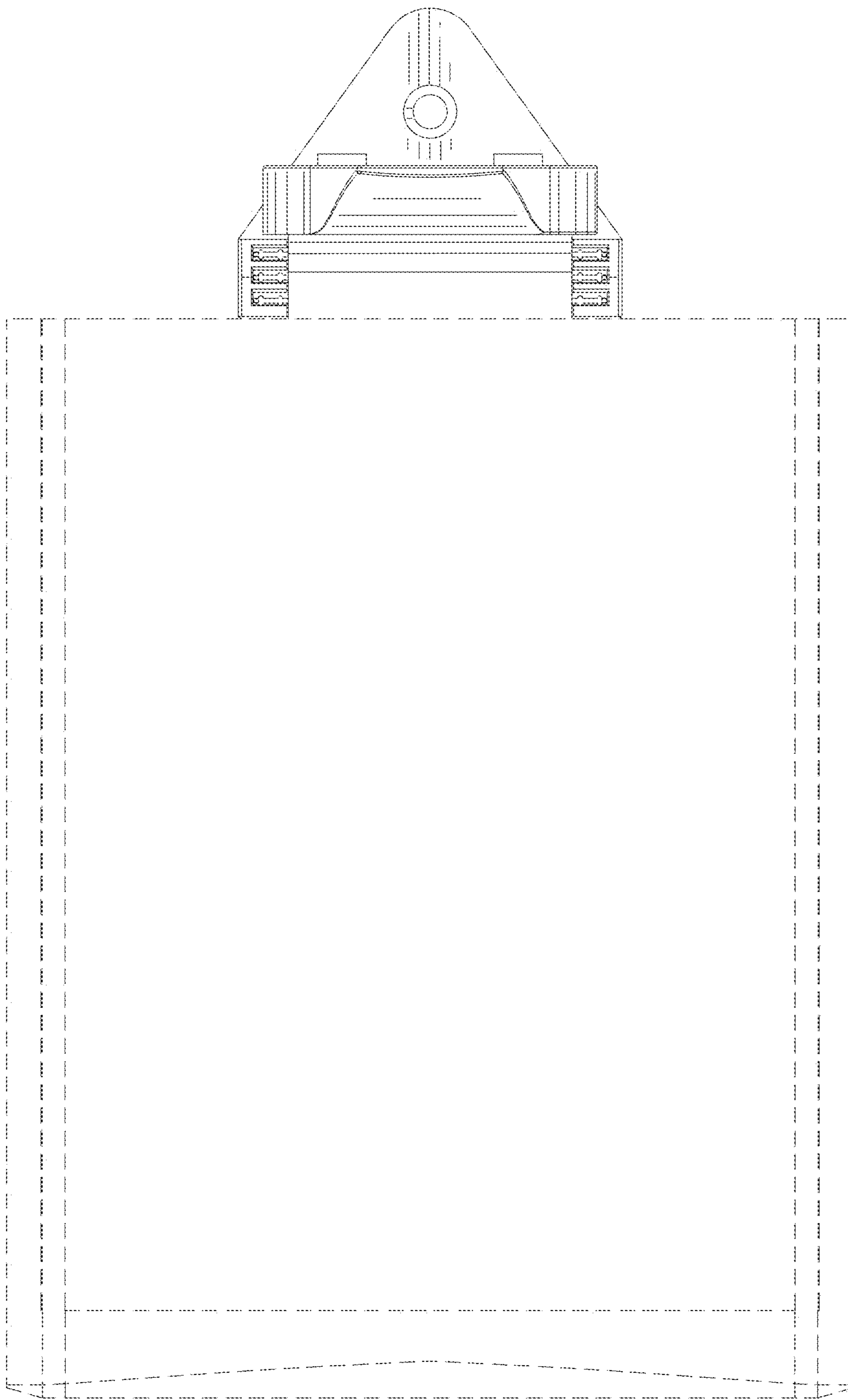


FIG. 3

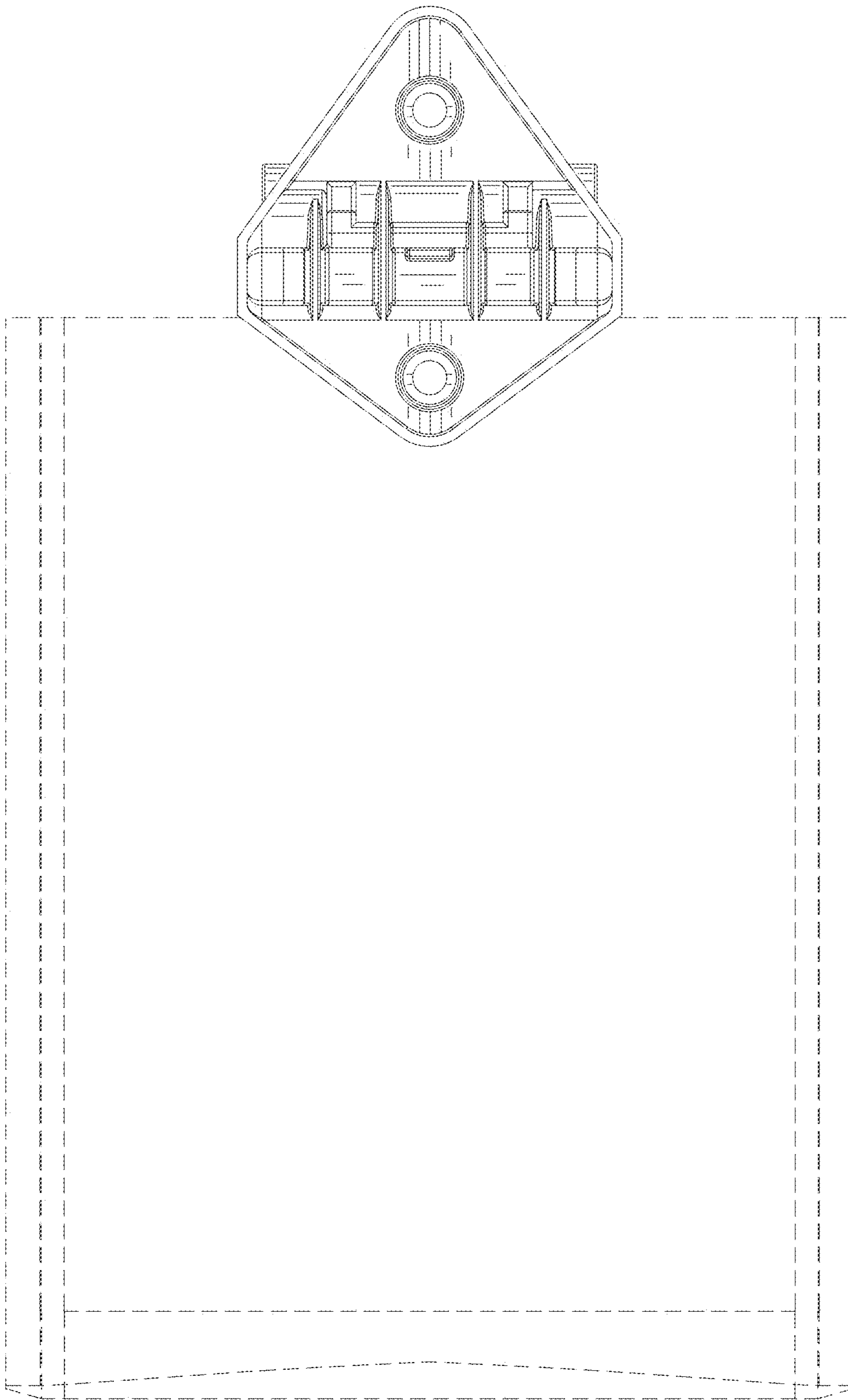


FIG. 4



FIG. 5

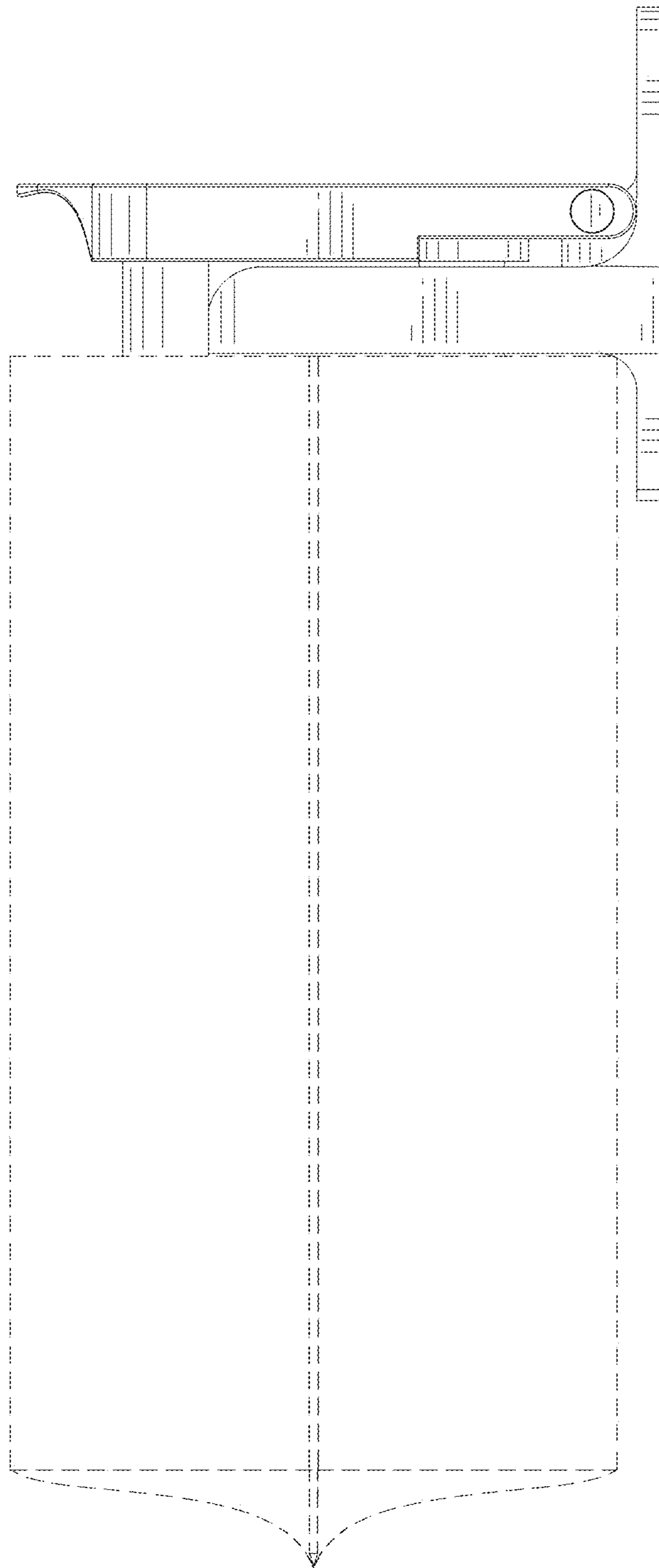


FIG. 6

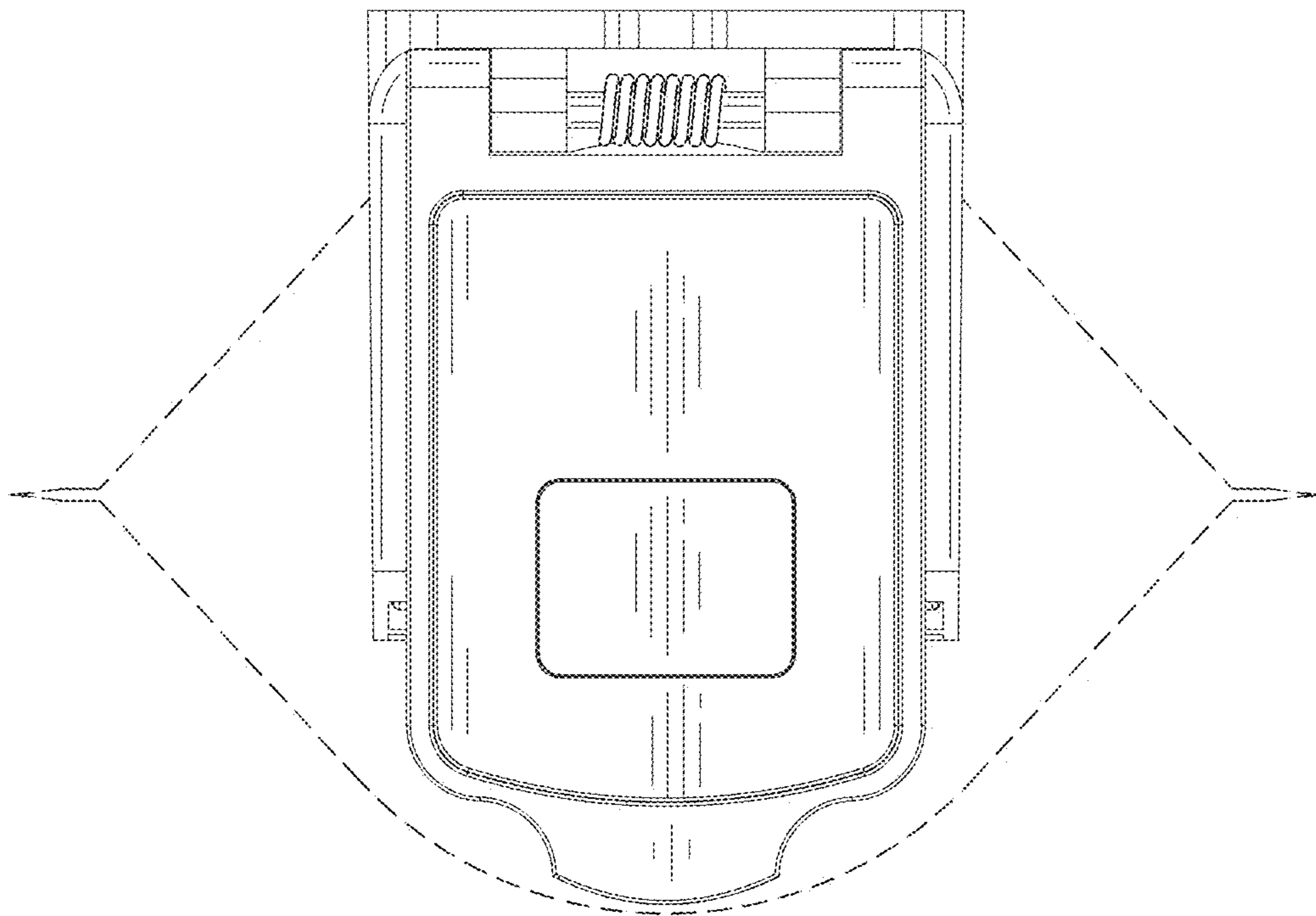


FIG. 7

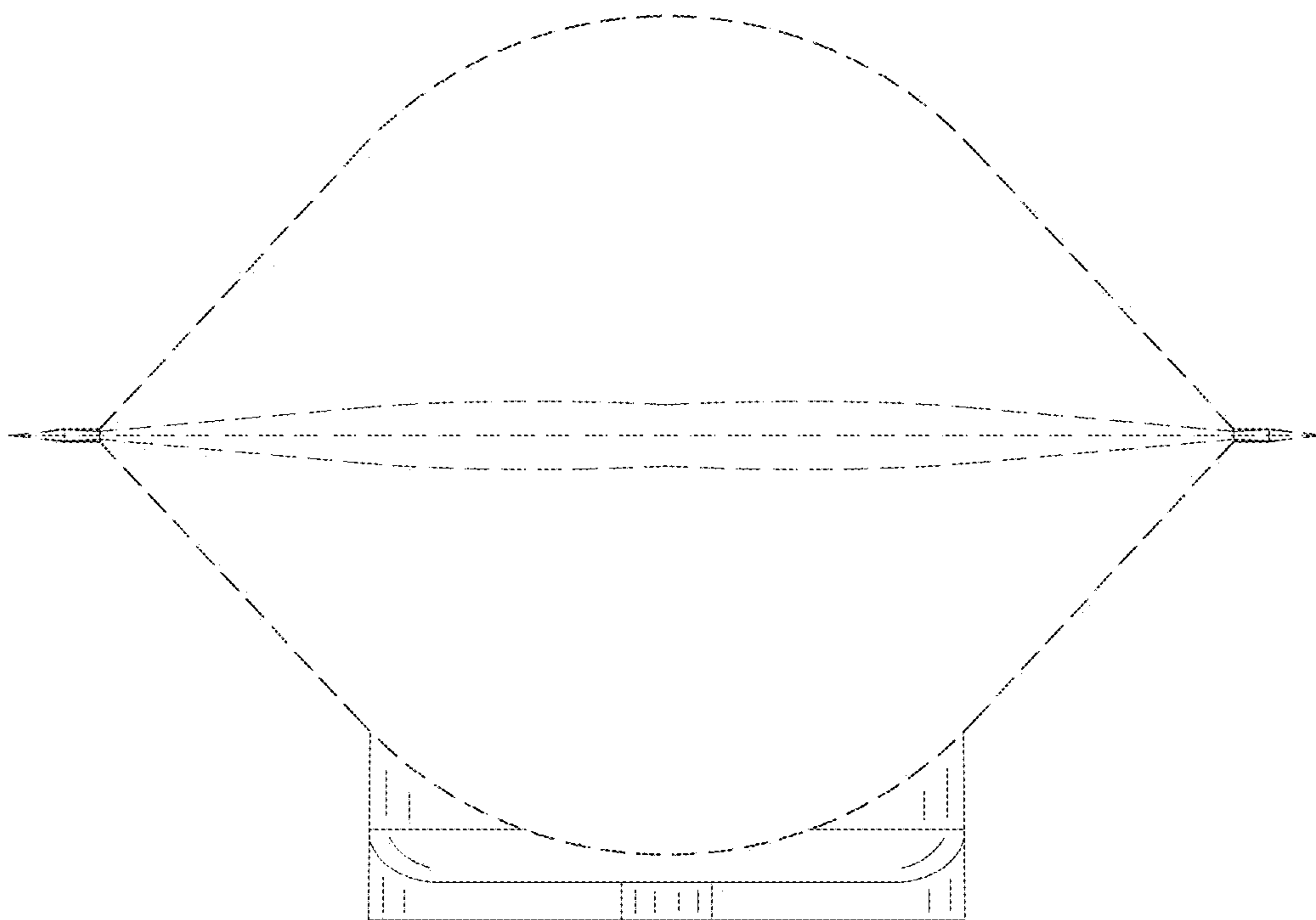


FIG. 8