



US00D916491S

(12) **United States Design Patent** (10) **Patent No.:** **US D916,491 S**
Chen (45) **Date of Patent:** **** Apr. 20, 2021**

- (54) **PAPER HOLDER**
- (71) Applicant: **SHENZHEN DAIWEI TECHNOLOGY CO., LTD**, Shenzhen (CN)
- (72) Inventor: **Shaobo Chen**, Shenzhen (CN)
- (73) Assignee: **SHENZHEN DAIWEI TECHNOLOGY CO., LTD**, Shenzhen (CN)
- (**) Term: **15 Years**
- (21) Appl. No.: **29/751,302**
- (22) Filed: **Sep. 21, 2020**
- (51) **LOC (13) Cl.** **06-04**
- (52) **U.S. Cl.**
USPC **D6/522**
- (58) **Field of Classification Search**
USPC D6/522, 523, 515-521, 524; D8/349, D8/354, 363, 373, 394; 206/77.1, 13.1, 206/86.01, 87.01; 221/14, 92, 105, 146.1, 221/146.2, 649; 222/281-282
CPC A47K 5/12; A47K 5/1205; A47K 5/1202; A47K 5/1207; A47K 10/16; A47K 10/32; A47K 10/34; A47K 10/421; A47K 10/44; B05B 11/3001; C11D 17/08
See application file for complete search history.

D310,479 S *	9/1990	Speetzen	D6/566
D398,466 S *	9/1998	Odom	D6/521
D431,947 S *	10/2000	Kopcak	D6/523
D448,592 S *	10/2001	McBride	D6/522
D450,503 S *	11/2001	Gottwald	D6/523
D460,650 S *	7/2002	Snell	D6/522
D461,082 S *	8/2002	Snell	D6/522
D486,681 S *	2/2004	Hoernig	D6/523
D521,292 S *	5/2006	Ferrer Beltran	D6/546
D521,294 S *	5/2006	Ferrer Beltran	D6/546
D522,295 S *	6/2006	Ferrer Beltran	D6/546
D532,228 S *	11/2006	Snell	D6/522
D576,435 S *	9/2008	Snell	D6/513
D699,967 S *	2/2014	Goodman	D6/522
D806,433 S	1/2018	Roberts		
D811,116 S *	2/2018	Goodman	D6/522
D811,118 S *	2/2018	Garland	D6/523

(Continued)

OTHER PUBLICATIONS

Amazon.com, YIGII PaperTowel Holder Under Cabinet Mount, Nov. 6, 2019, <https://www.amazon.com/YIGII-Paper-Towel-Holder-Inch/dp/B0813G565M/> (Year: 2019).*

Primary Examiner — Nathan M Johnston

(57) **CLAIM**

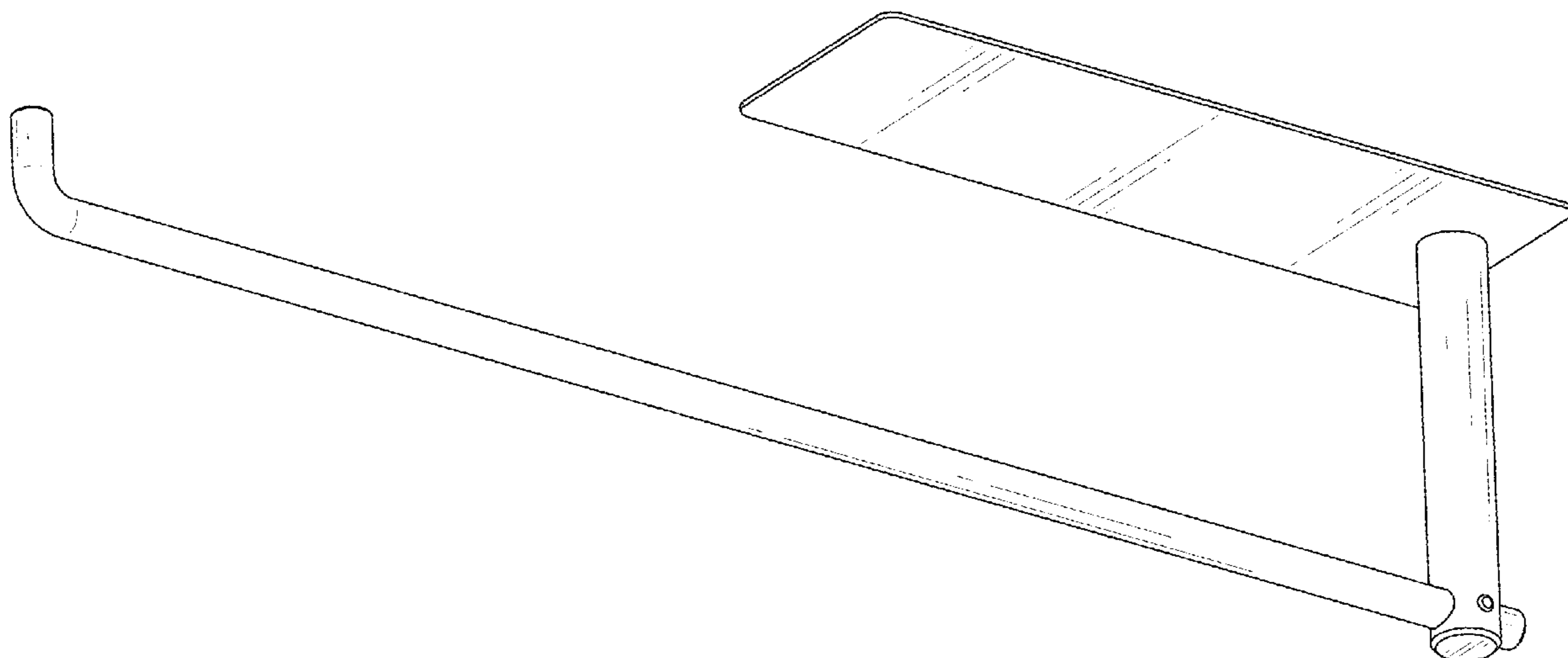
The ornamental design for a paper holder, as shown and described.

DESCRIPTION

FIG. 1 is a perspective view of a paper holder showing my new design;
FIG. 2 is another perspective view thereof;
FIG. 3 is a front elevational view thereof;
FIG. 4 is a rear elevational view thereof;
FIG. 5 is a right side elevational view thereof;
FIG. 6 is a left side elevational view thereof;
FIG. 7 is a top plan view thereof; and,
FIG. 8 is a bottom plan view thereof.

1 Claim, 8 Drawing Sheets

- (56) **References Cited**
U.S. PATENT DOCUMENTS
D155,897 S * 11/1949 Huntington D6/523
2,592,571 A * 4/1952 Huntington A47K 10/3836
242/422.4
2,707,595 A * 5/1955 Brown A47K 10/3836
242/422.4
D266,213 S * 9/1982 Heil D6/523
D298,290 S * 11/1988 Wilkerson D6/521
D304,402 S * 11/1989 Van Hoose D6/523



(56)

References Cited

U.S. PATENT DOCUMENTS

D822,403	S	7/2018	Goodman et al.	
D839,632	S *	2/2019	Downey	D6/546
D859,029	S *	9/2019	Mariano	D6/522
2008/0001018	A1 *	1/2008	Burnett	B65H 75/08 242/597.5
2008/0042004	A1 *	2/2008	Byrd	A47K 10/3836 242/560.3

* cited by examiner

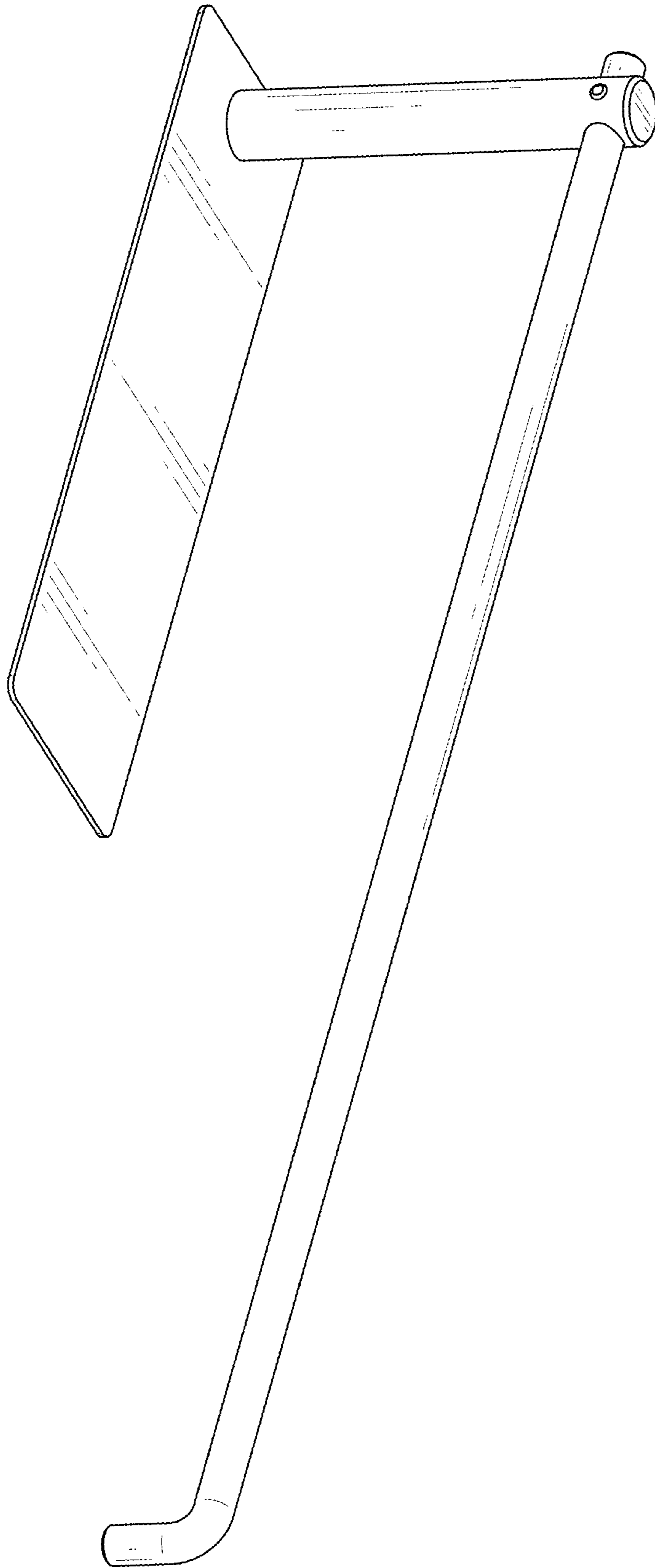


FIG. 1

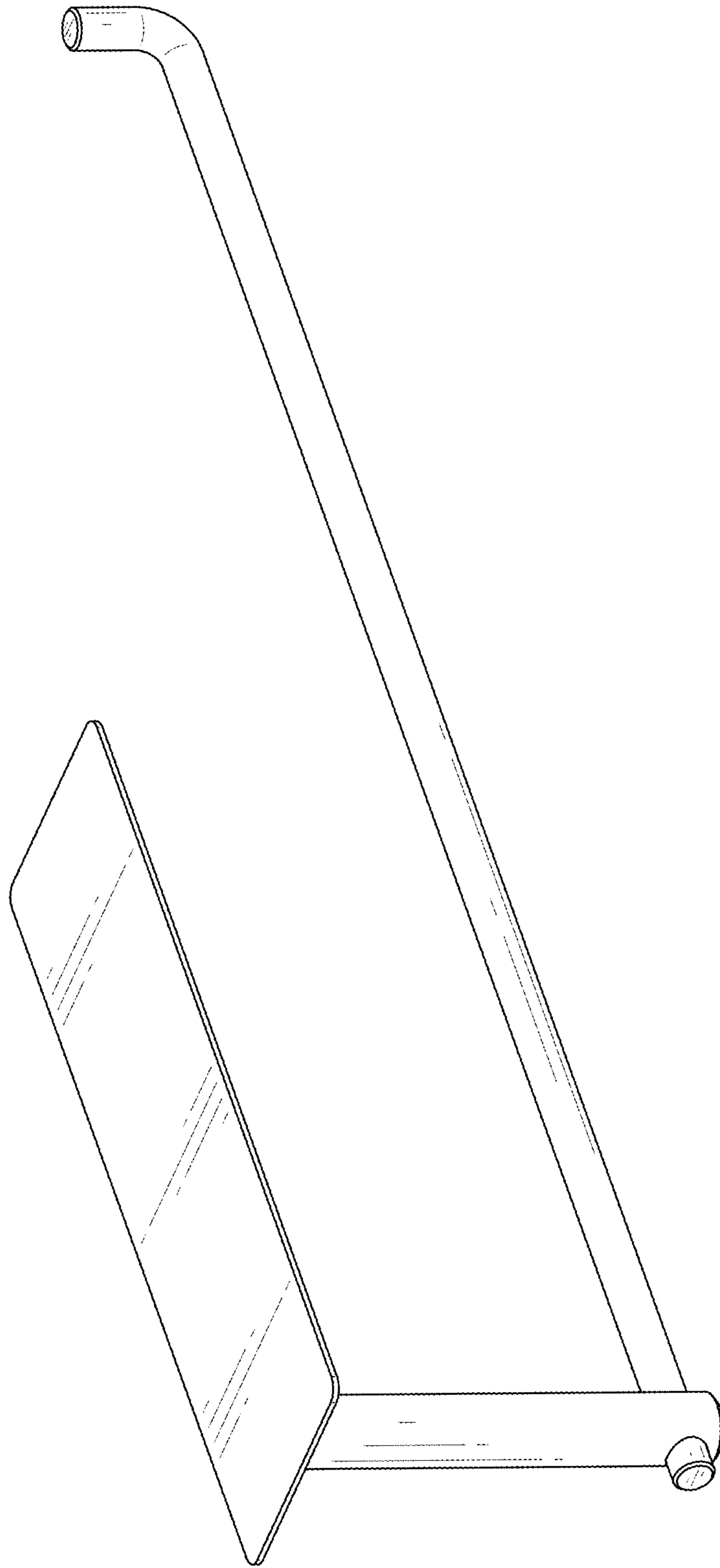


FIG. 2

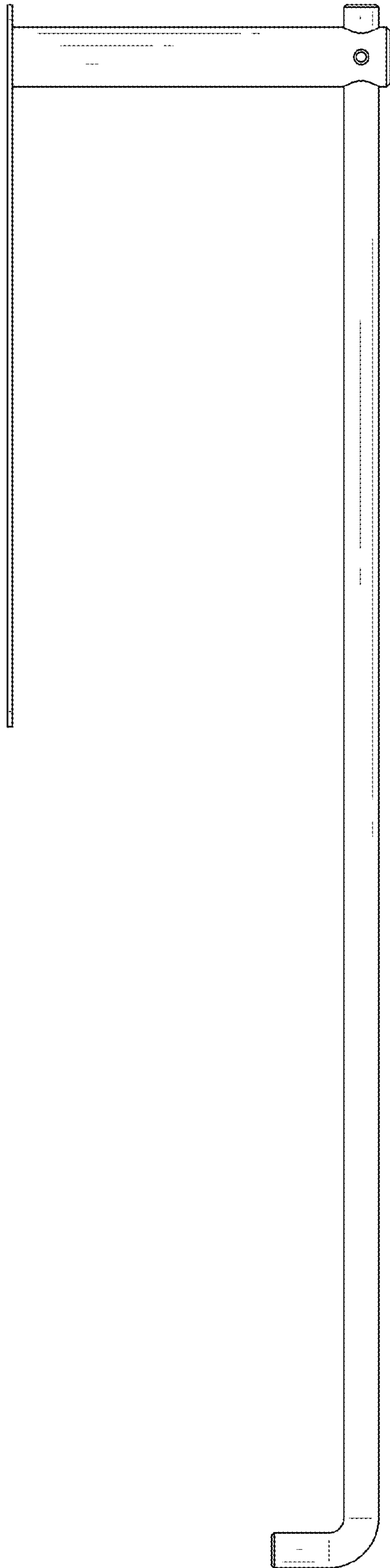


FIG. 3

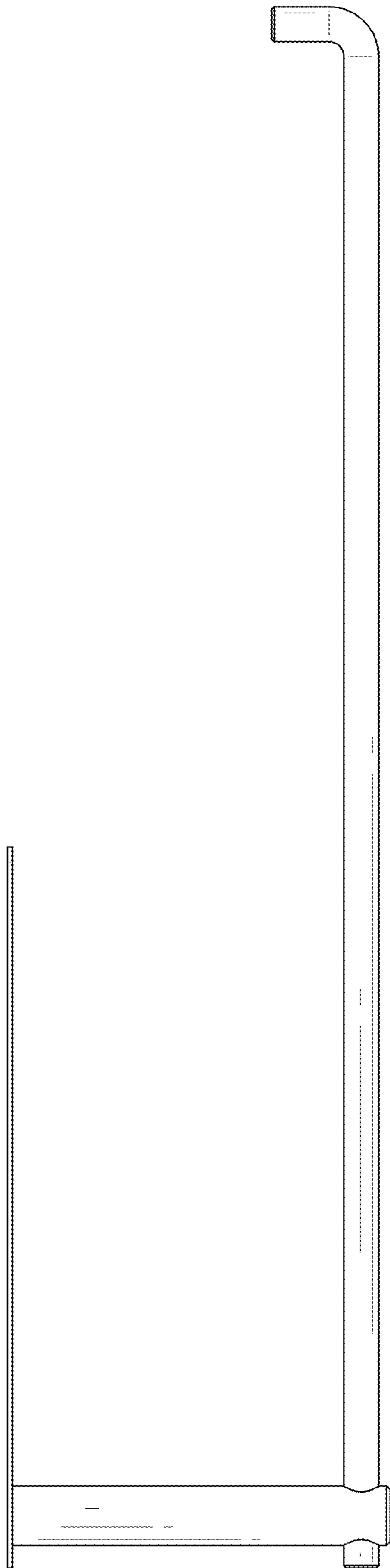


FIG. 4

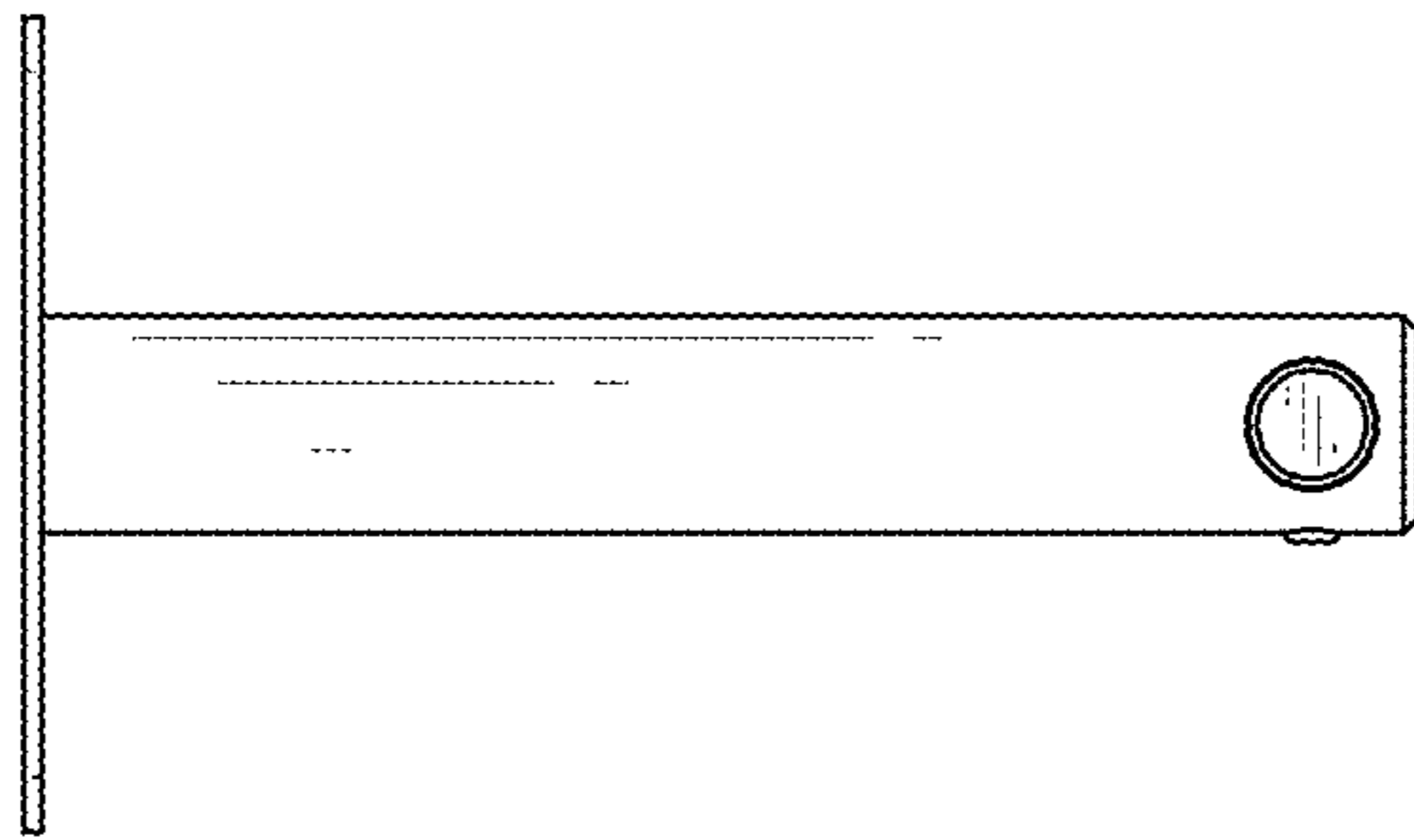


FIG. 5

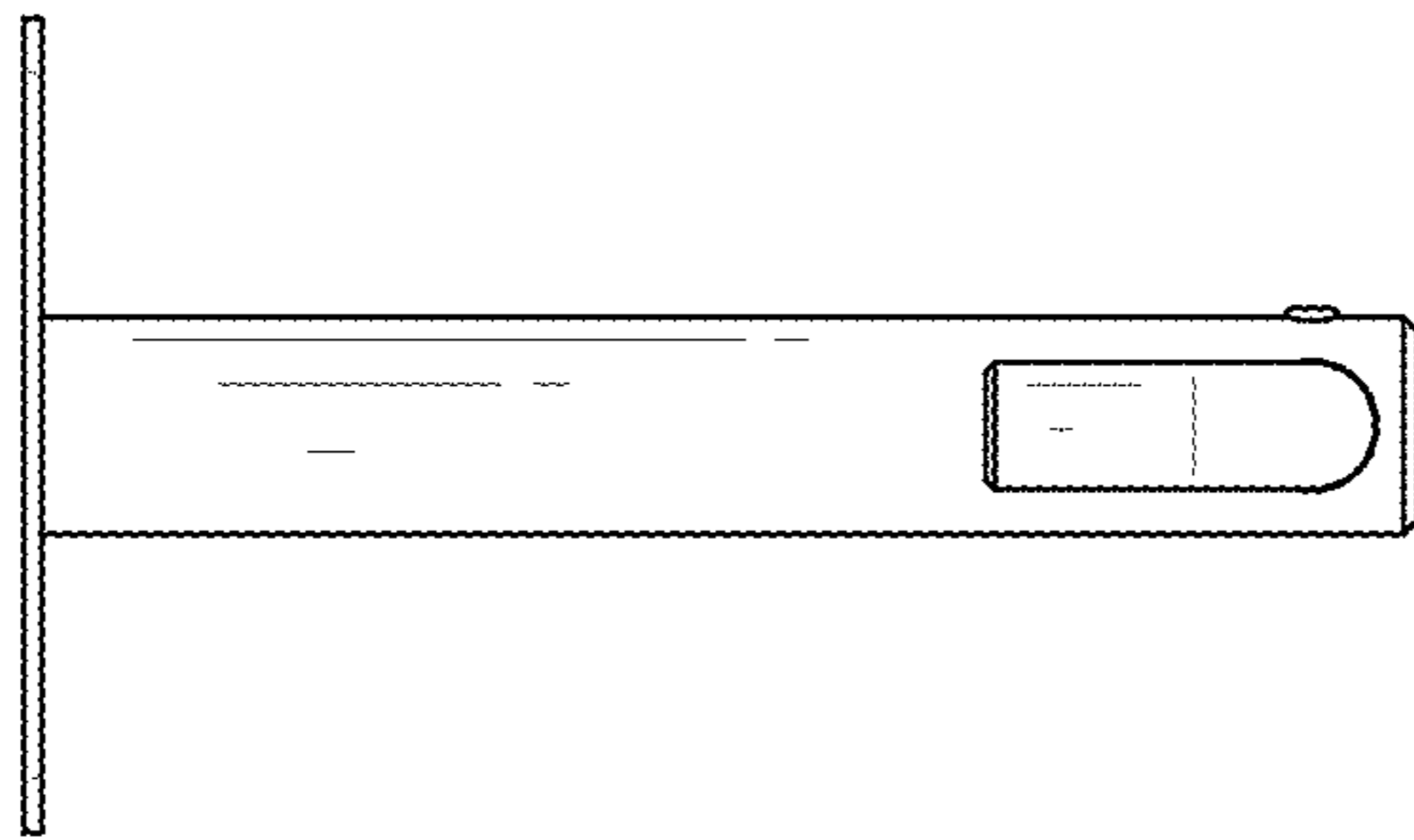


FIG. 6

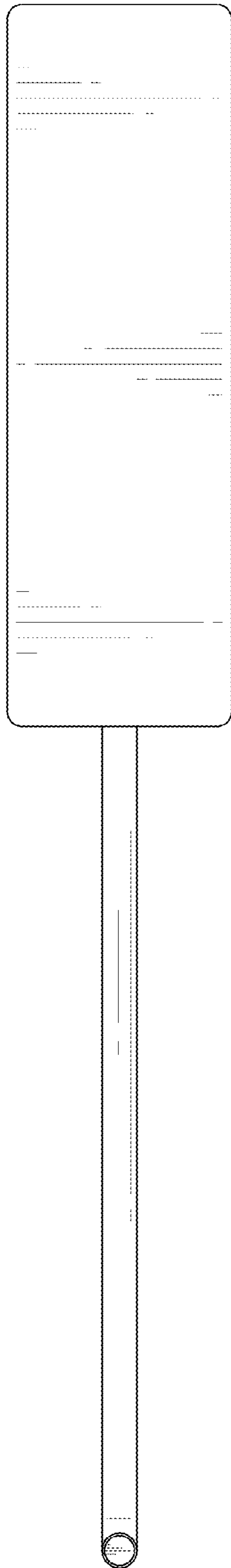


FIG. 7

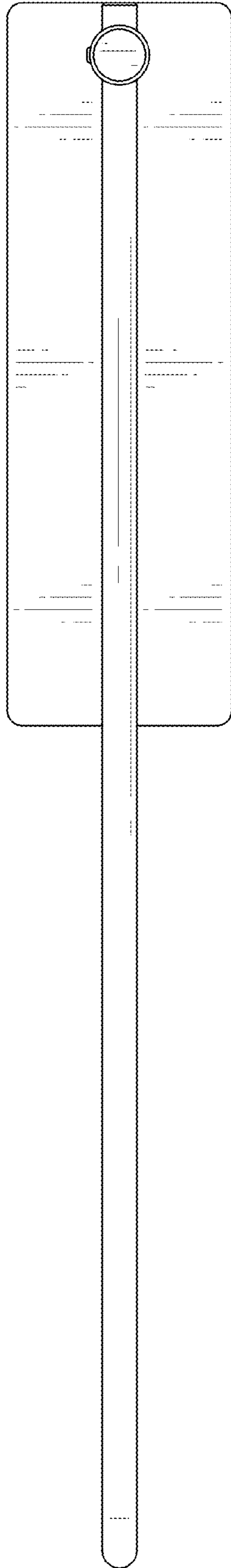


FIG. 8