



US00D916488S

(12) **United States Design Patent** (10) **Patent No.:** **US D916,488 S**
Peng (45) **Date of Patent:** **** Apr. 20, 2021**

(54) **PAPER TOWEL HOLDER**

(71) Applicant: **Yuting Peng**, Shenzhen (CN)

(72) Inventor: **Yuting Peng**, Shenzhen (CN)

(**) Term: **15 Years**

(21) Appl. No.: **29/705,915**

(22) Filed: **Sep. 17, 2019**

(51) **LOC (13) Cl.** **23-08**

(52) **U.S. Cl.**

USPC **D6/520**

(58) **Field of Classification Search**

USPC D6/523, 515-517, 518-519, 522, 527,
D6/552, 566, 520; D3/201, 304, 305,
D3/306; D11/148; D34/1; 206/391;
211/13.1, 86.01, 87.01, 71.01, 181.1;
220/489; 242/580, 590, 560.2;
248/309.1

CPC . A47K 10/38; A47K 2010/3253; A47J 47/16;
A47G 19/02; A47G 23/06; A47F 5/0018;
A47F 5/0043; A47F 5/04

See application file for complete search history.

(56) **References Cited**

U.S. PATENT DOCUMENTS

D647,745 S *	11/2011	Guindi	D6/520
D775,850 S *	1/2017	Tsai	D6/523
D867,011 S *	11/2019	Snell	D6/520
D898,407 S *	10/2020	Ghiorghie	D6/520
D902,621 S *	11/2020	Peng	D6/520
2012/0234963 A1 *	9/2012	Channel	A47K 10/38 242/560.2

OTHER PUBLICATIONS

MDesign, MDesign 8790MDBST Toilet Paper Holder—Matte Black (purchase reviewed Nov. 16, 2019), www.ebay.com, URL:https://www.ebay.com/p/20015001577?iid=293658406884, 3 pages, retrieved Feb. 8, 2021 (Year: 2019).*

* cited by examiner

Primary Examiner — Mark Booker

(74) *Attorney, Agent, or Firm* — Bayramoglu Law Offices LLC

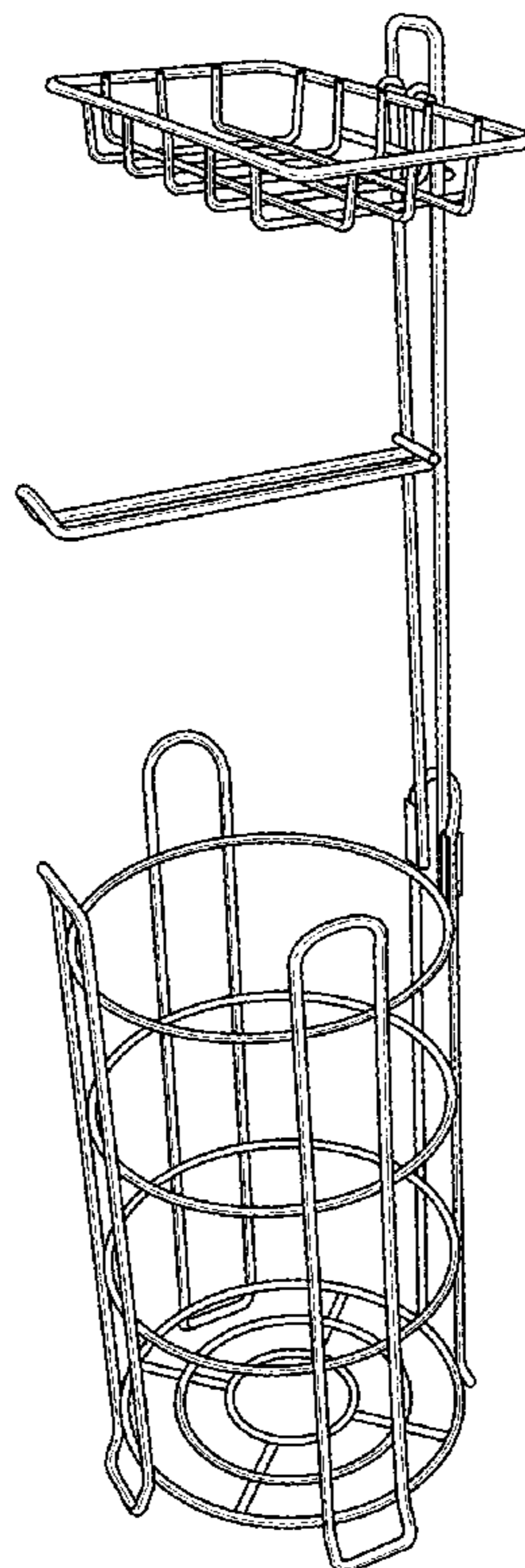
(57) **CLAIM**

The ornamental design for a paper towel holder, as shown and described.

DESCRIPTION

FIG. 1 is a front perspective view of a paper towel holder showing my new design;
FIG. 2 is a left side elevational view, the right side elevational view is a mirror image thereof;
FIG. 3 is a rear elevational view thereof;
FIG. 4 is a front elevational view thereof;
FIG. 5 is a top plan view thereof;
FIG. 6 is a bottom plan view thereof; and,
FIG. 7 is a rear perspective view thereof.
A right side elevational view is omitted since the right side elevational view is a mirror image of the left side elevational view.

1 Claim, 7 Drawing Sheets



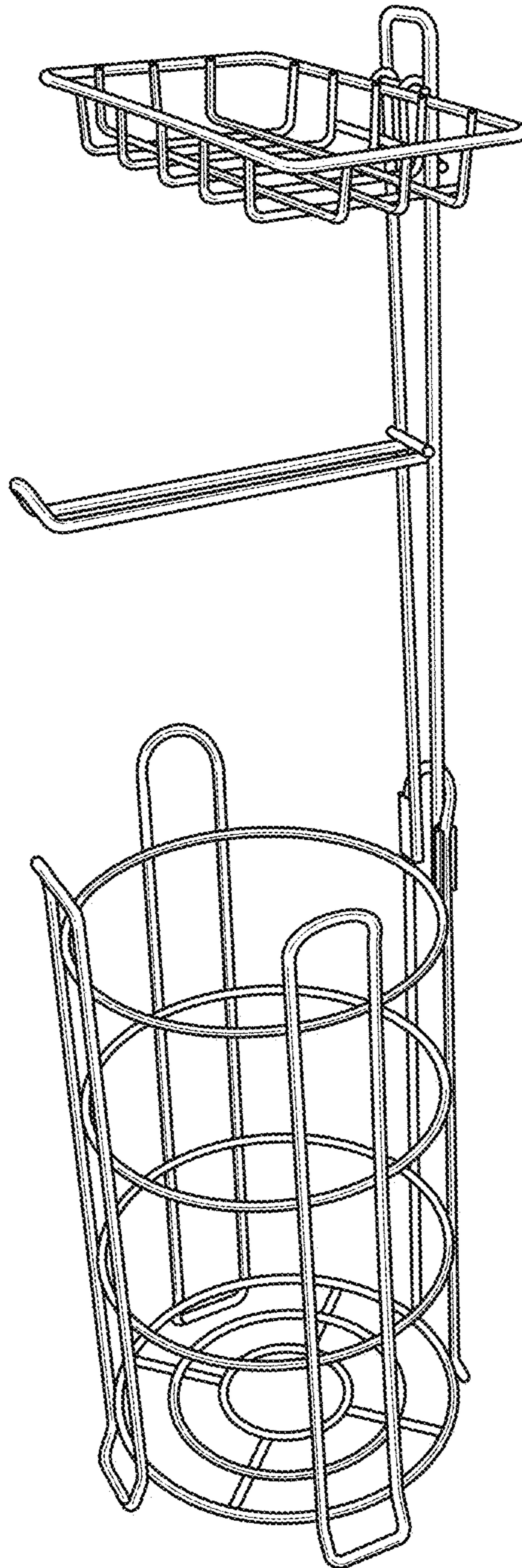


Fig. 1

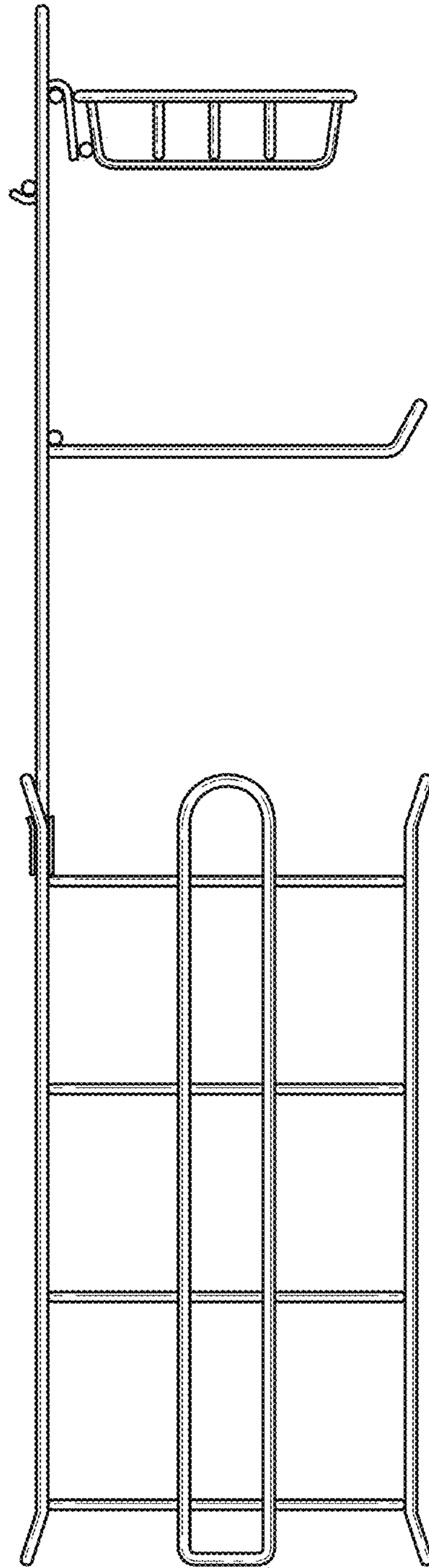


Fig. 2

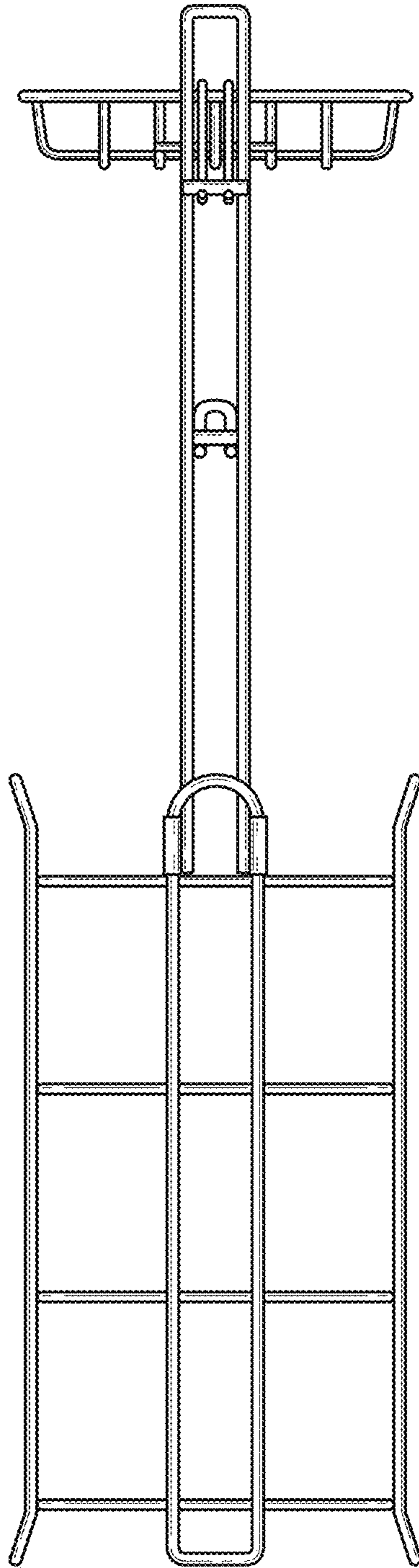


Fig. 3

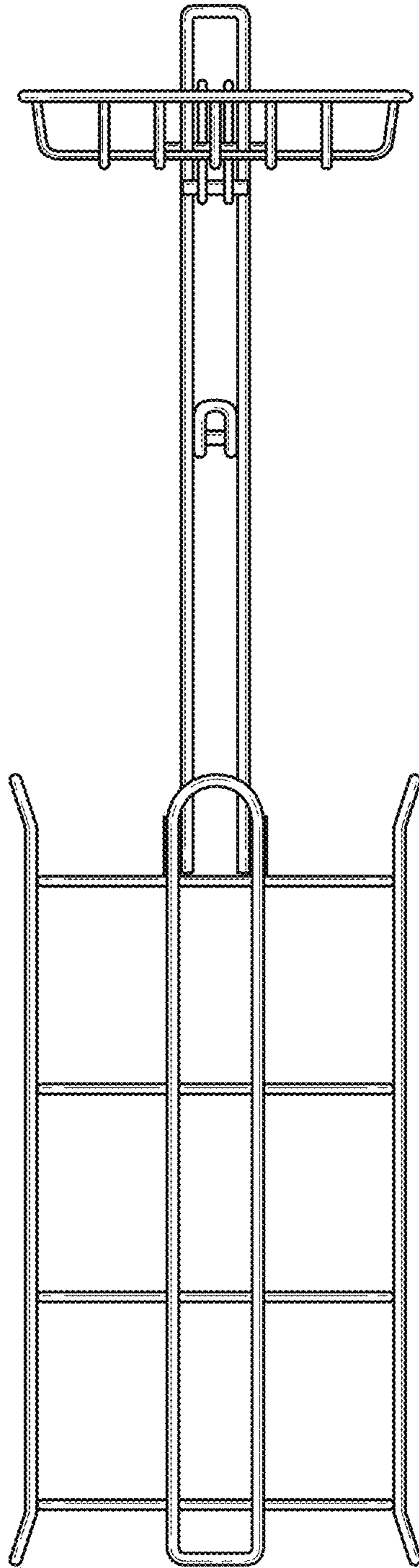


Fig. 4

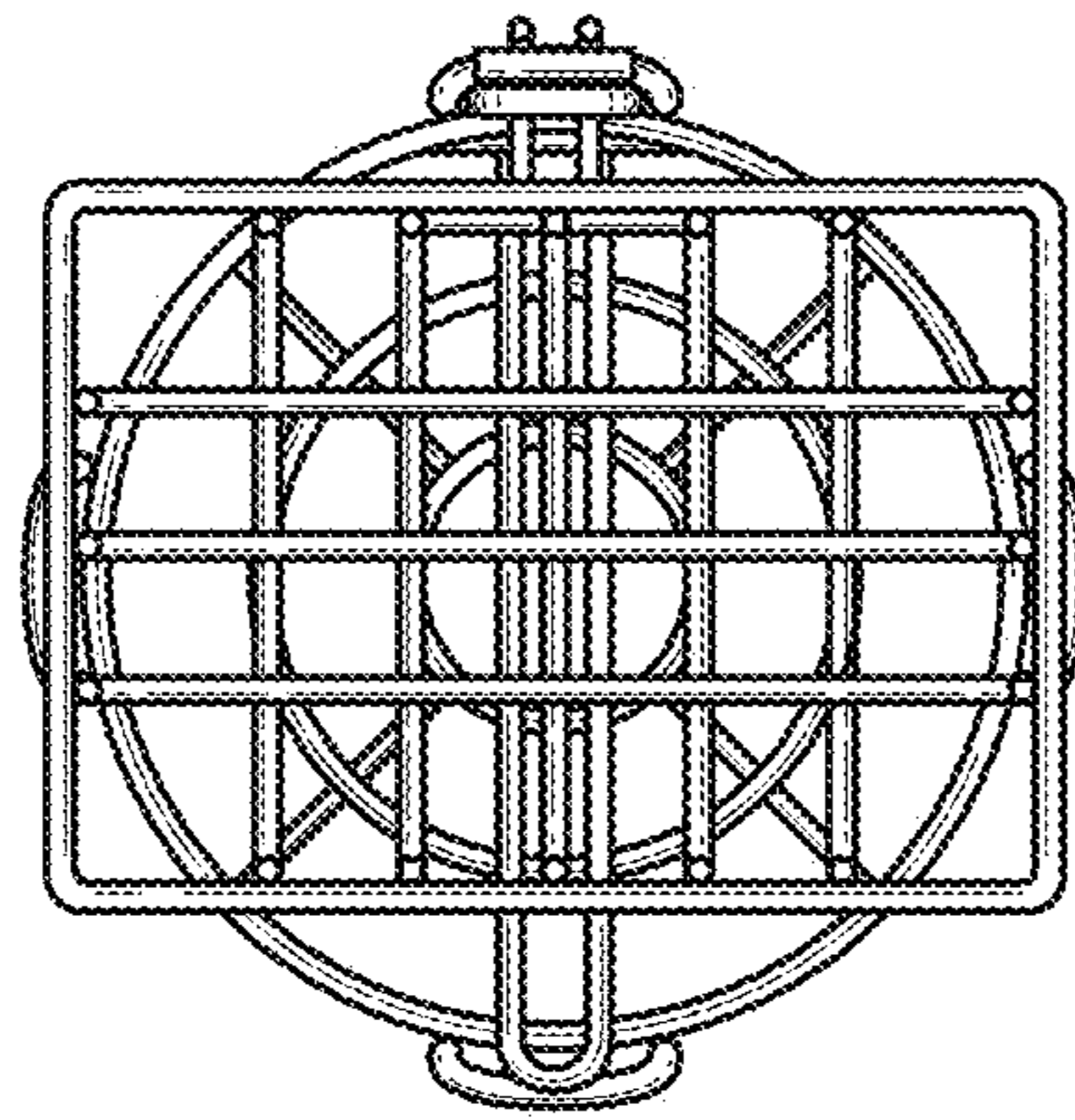


Fig. 5

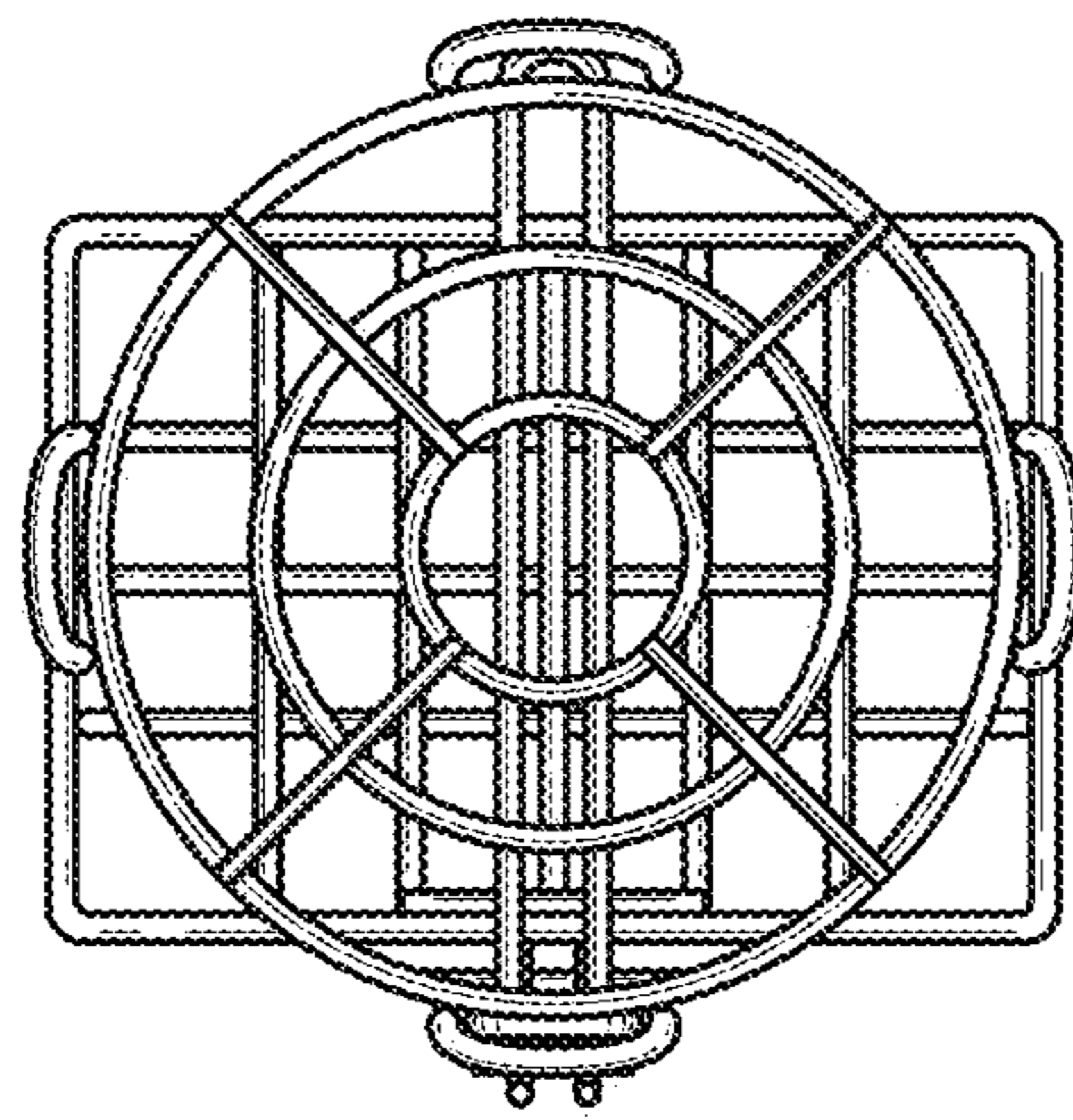


Fig. 6

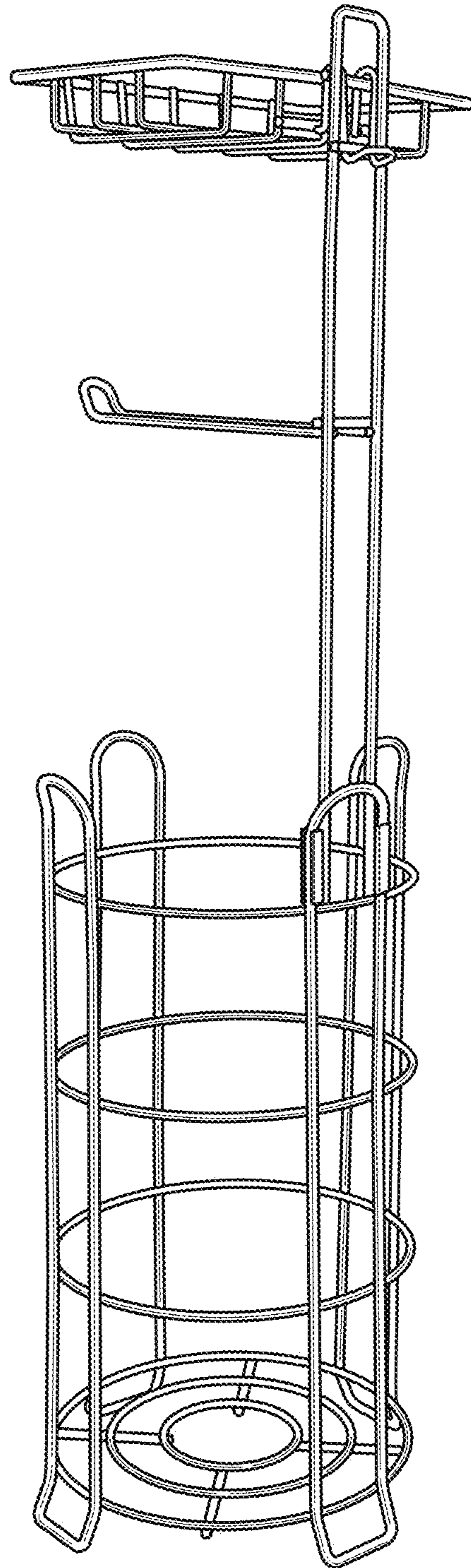


Fig. 7