



US00D916487S

(12) **United States Design Patent**
Zheng

(10) **Patent No.:** **US D916,487 S**

(45) **Date of Patent:** **** Apr. 20, 2021**

(54) **PORTABLE WIPES HEATER**

(71) Applicant: **SHEZHEN ROOT E-COMMERCE CO., LTD.**, Shenzhen (CN)

(72) Inventor: **Yongge Zheng**, Shenzhen (CN)

(73) Assignee: **SHENZHEN ROOT E-COMMERCE CO., LTD.**, Shenzhen (CN)

(**) Term: **15 Years**

(21) Appl. No.: **29/728,834**

(22) Filed: **Mar. 21, 2020**

(51) **LOC (13) Cl.** **09-01**

(52) **U.S. Cl.**
USPC **D6/518**

(58) **Field of Classification Search**

USPC D6/519, 515, 518; D3/20, 201, 203.5, D3/203.6, 205, 215, 247, 249-253, 273, D3/274, 294, 295; D7/540, 542, 601; D9/414, 415, 418, 420, 421, 423, 424, D9/707, 702, 709, 710, 711, 730; D28/73, 76, 77, 83; 219/386, 401; 222/146.5; 126/263.01, 263.05, 263.07
CPC B65D 83/0894; B65D 83/08; B65D 83/0817; B65D 83/0811; B65D 83/0835; B65D 83/00; B65D 83/0852; B65D 83/0816; B65D 85/16; B65D 85/671; B65D 85/00; B65D 33/001; B65D 2575/586; B65D 25/04; B65D 75/32; B65D 75/46; B65D 75/327; B65D 5/72; A47K 10/421; A47K 10/424; A47K 10/42; A47K 10/422; A45C 1/06; A45C 3/08

See application file for complete search history.

(56) **References Cited**

U.S. PATENT DOCUMENTS

5,738,082 A * 4/1998 Page F24V 30/00
126/263.01
D424,342 S * 5/2000 Pasquale D6/518

D435,170 S 12/2000 Haapala
D437,172 S 2/2001 Hillman
6,639,185 B1 * 10/2003 McConnell A47K 10/421
219/386
D486,030 S 2/2004 Bergh
D544,711 S 6/2007 Mundy et al.
D742,115 S 11/2015 Besner

(Continued)

Primary Examiner — Mark Booker

(74) *Attorney, Agent, or Firm* — Law Offices Of Steven W. Weinrieb

(57) **CLAIM**

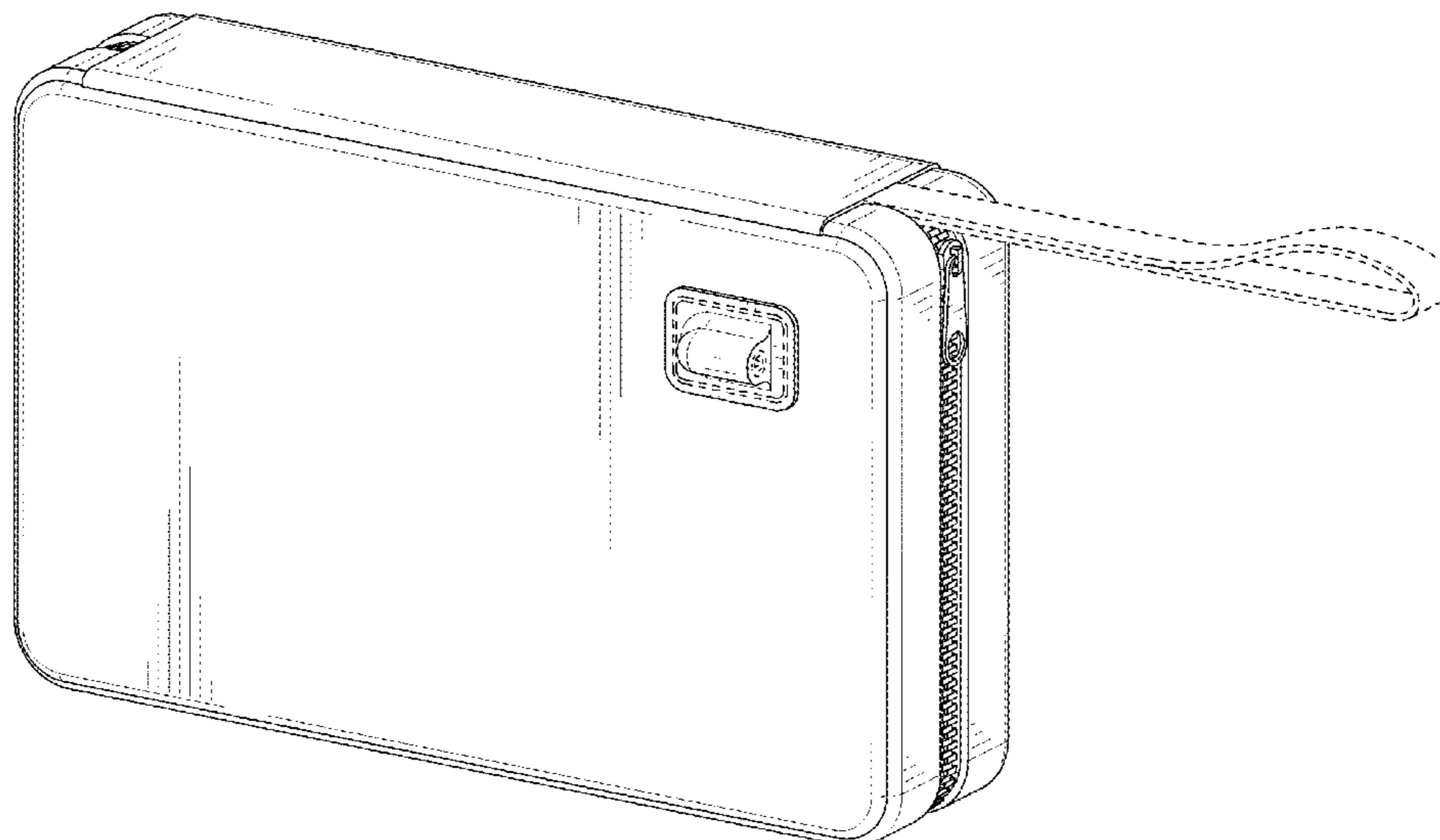
The ornamental design for a portable wipes heater, as shown and described.

DESCRIPTION

FIG. 1 is a front, right side, top perspective view of a portable wipes heater showing my new design; FIG. 2 is a rear, right side, bottom perspective view thereof; FIG. 3 is a front elevational view thereof; FIG. 4 is a rear elevational view thereof; FIG. 5 is a left side elevational view thereof; FIG. 6 is a right side elevational view thereof; FIG. 7 is a top plan view thereof; FIG. 8 is a bottom plan view thereof; FIG. 9 is a front, right side, top perspective view of the portable wipes heater when it is in charging; and, FIG. 10 is a perspective view of the portable wipes heater when it is in an open condition such that the heated wipes can be accessed.

The broken lines depict portions of the portable wipes heater that form no part of the claimed design. The additional broken lines shown in FIG. 9 represents the portion of a charger and forms no part of the claimed design. The additional broken lines shown in FIG. 10 represents the heated wipes and forms no part of the claimed design.

1 Claim, 10 Drawing Sheets



(56)

References Cited

U.S. PATENT DOCUMENTS

D805,617 S	*	12/2017	McConnell	D23/323
D805,802 S	*	12/2017	McConnell	D6/518
D825,181 S		8/2018	Jin		
D849,400 S		5/2019	Wang		
D857,375 S	*	8/2019	Case	D3/205
D858,096 S	*	9/2019	Liu	D3/249

* cited by examiner

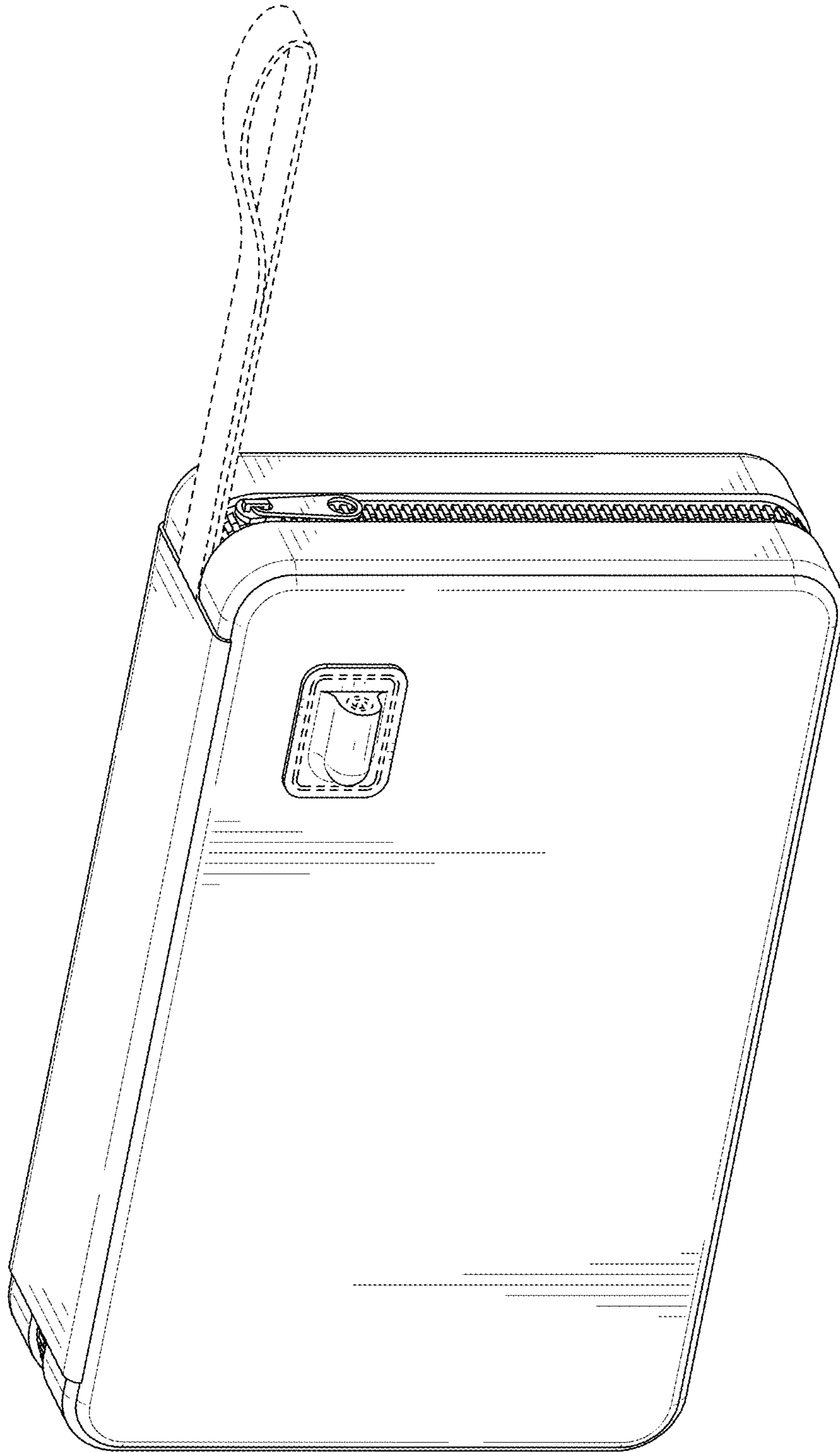


FIG. 1

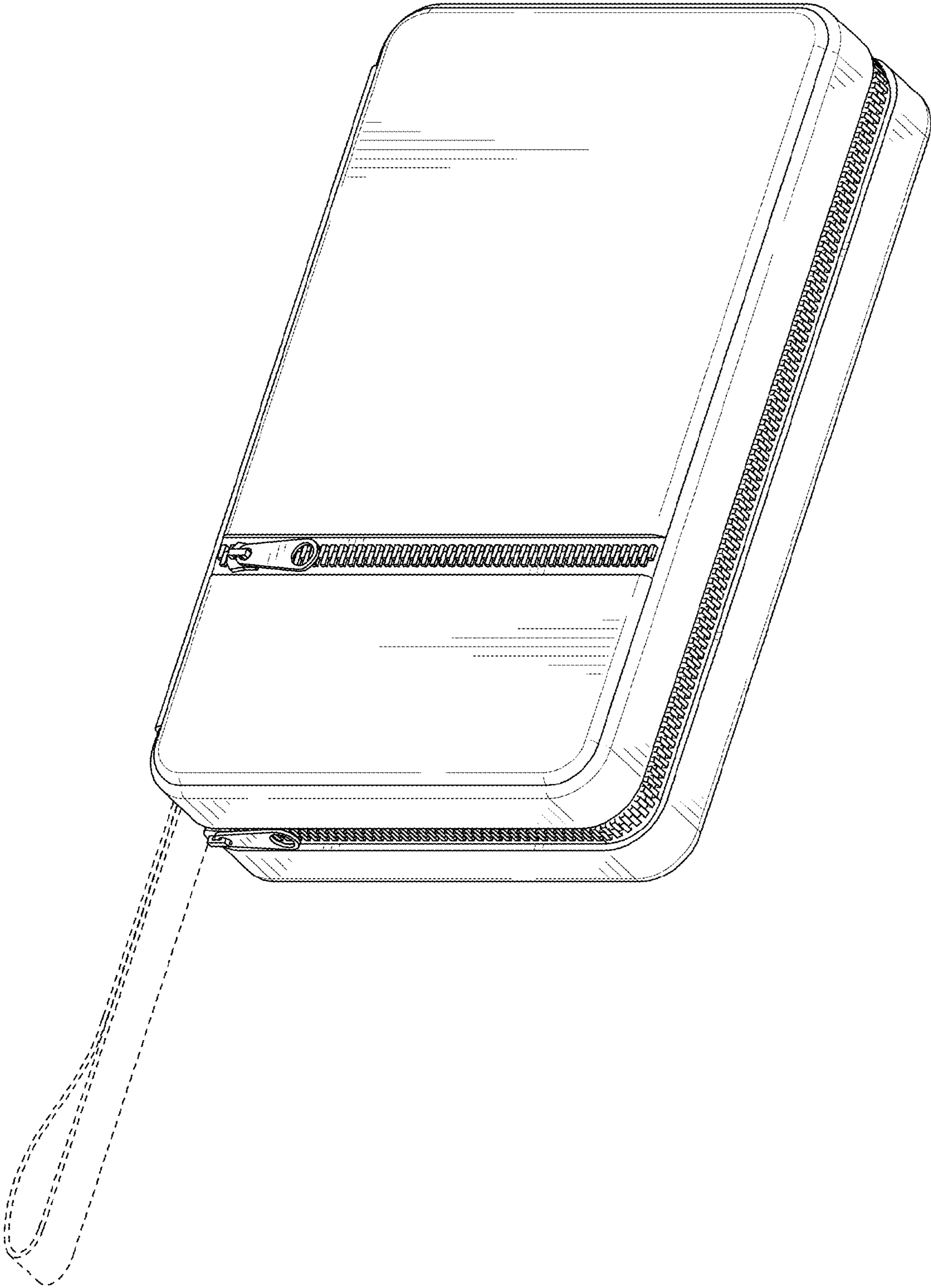


FIG. 2

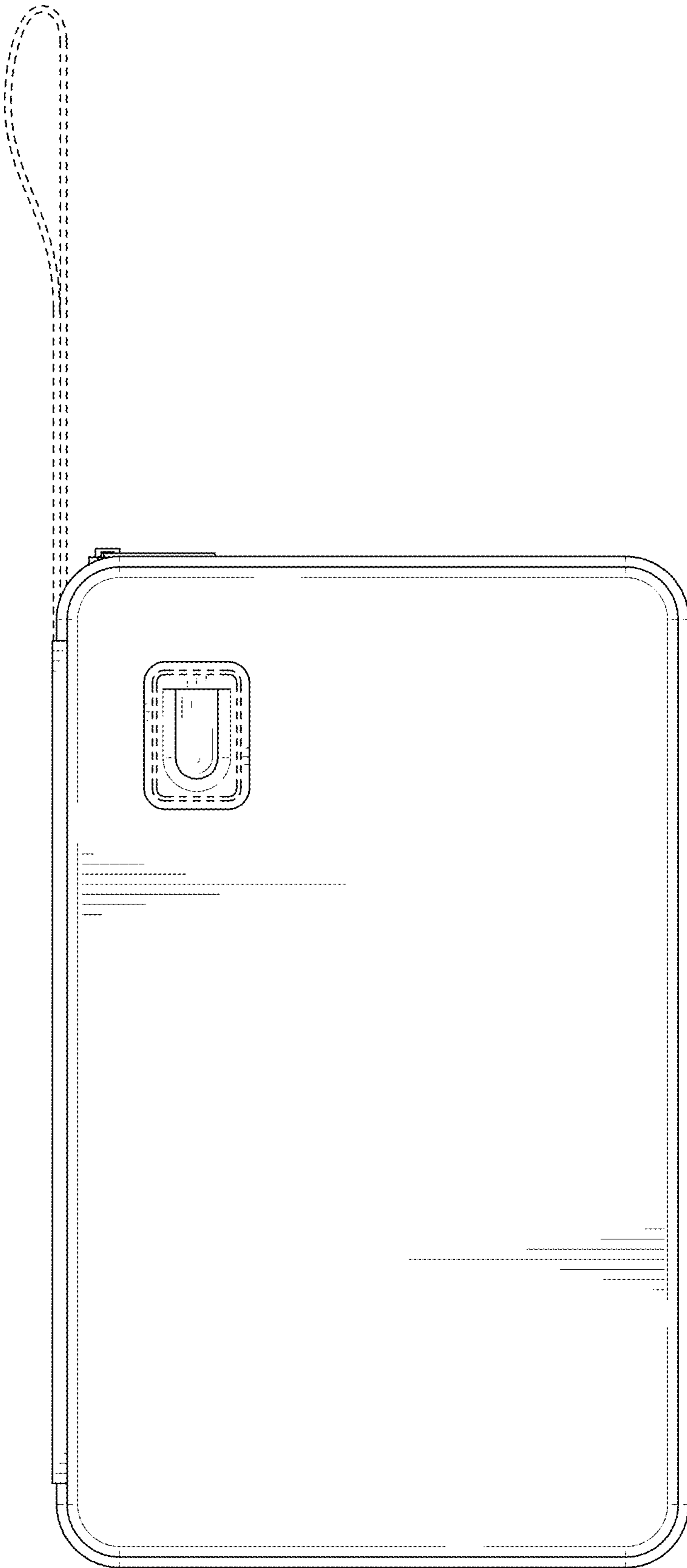


FIG. 3

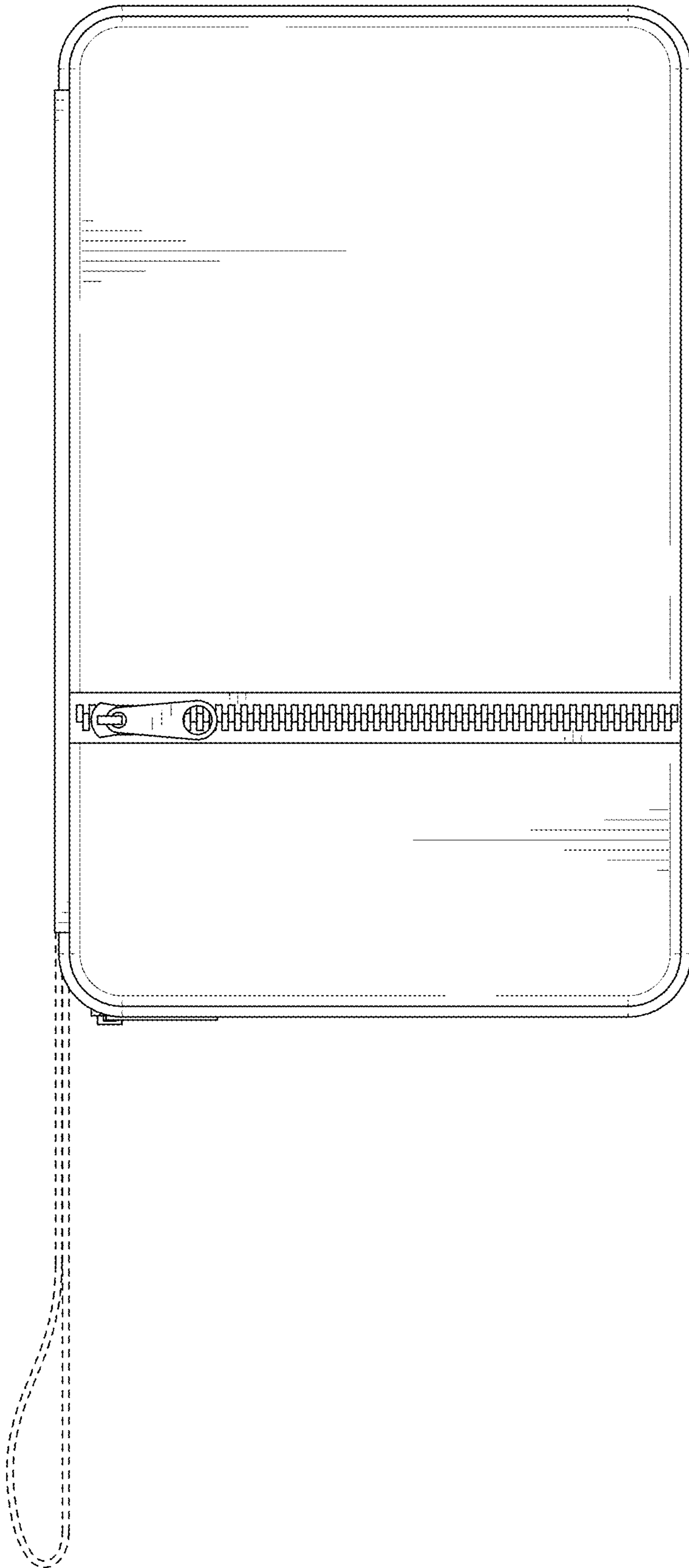


FIG. 4

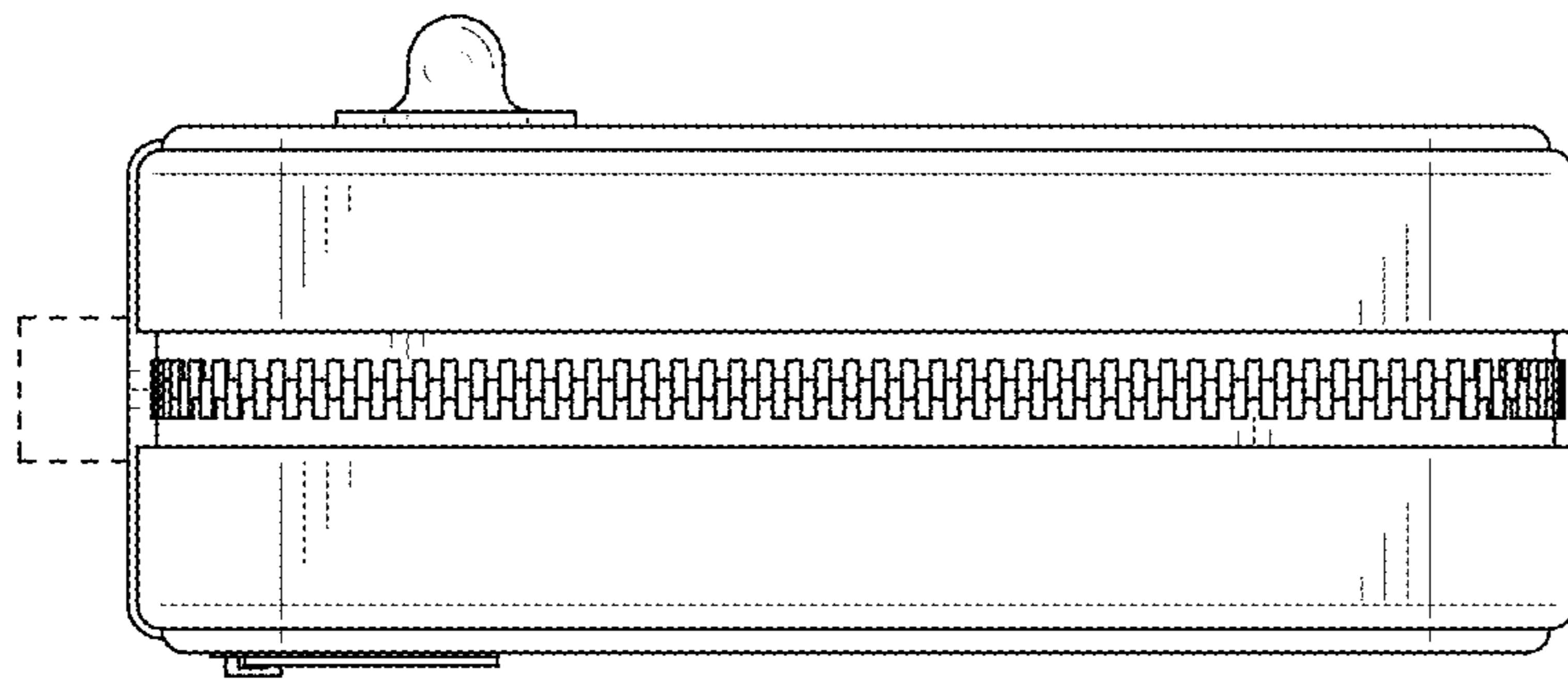


FIG. 5

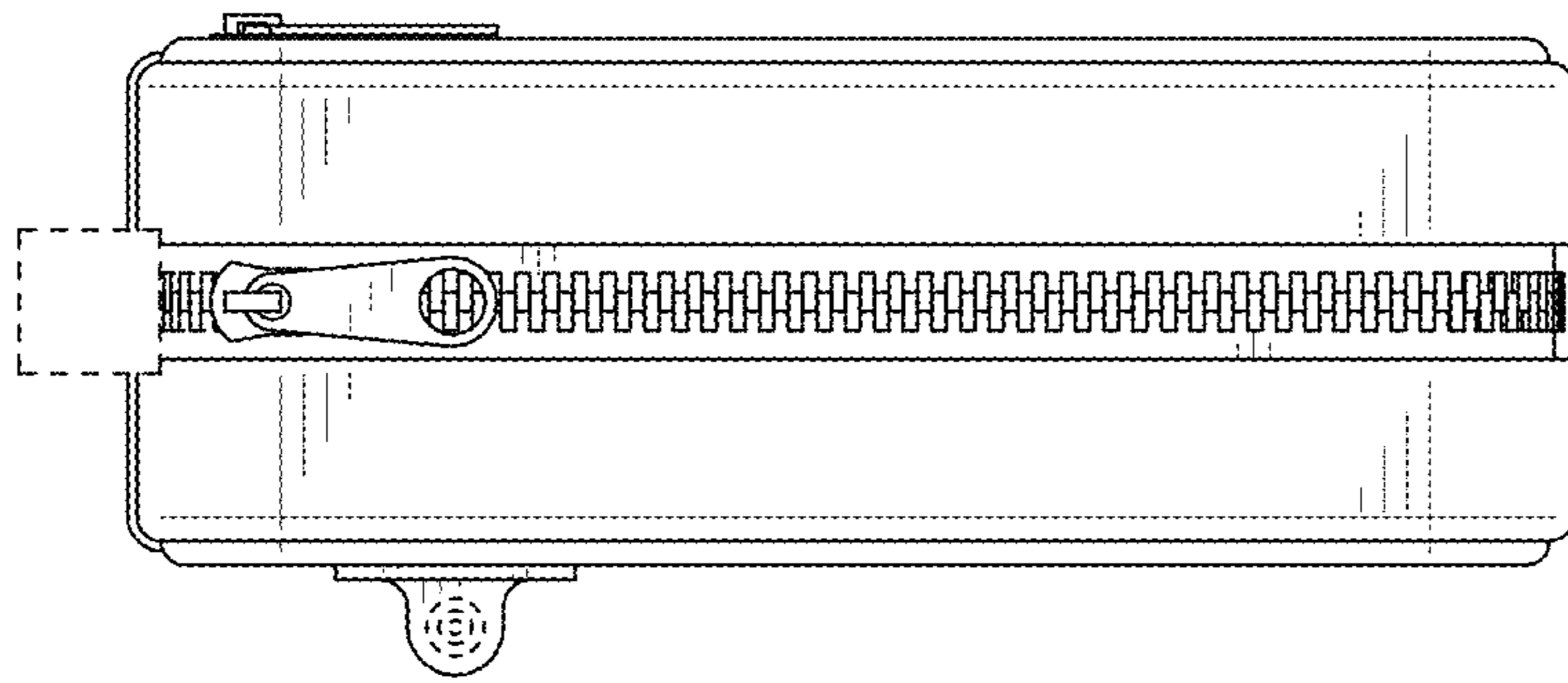


FIG. 6

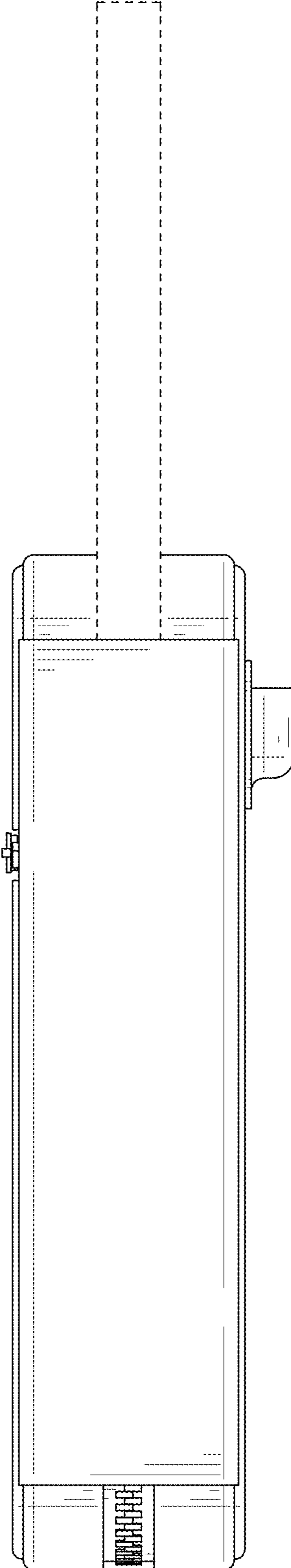


FIG. 7

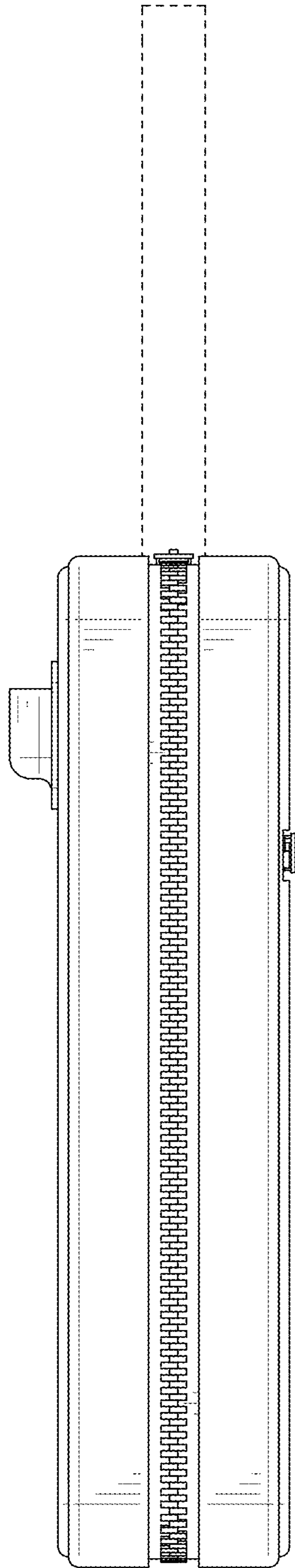


FIG. 8

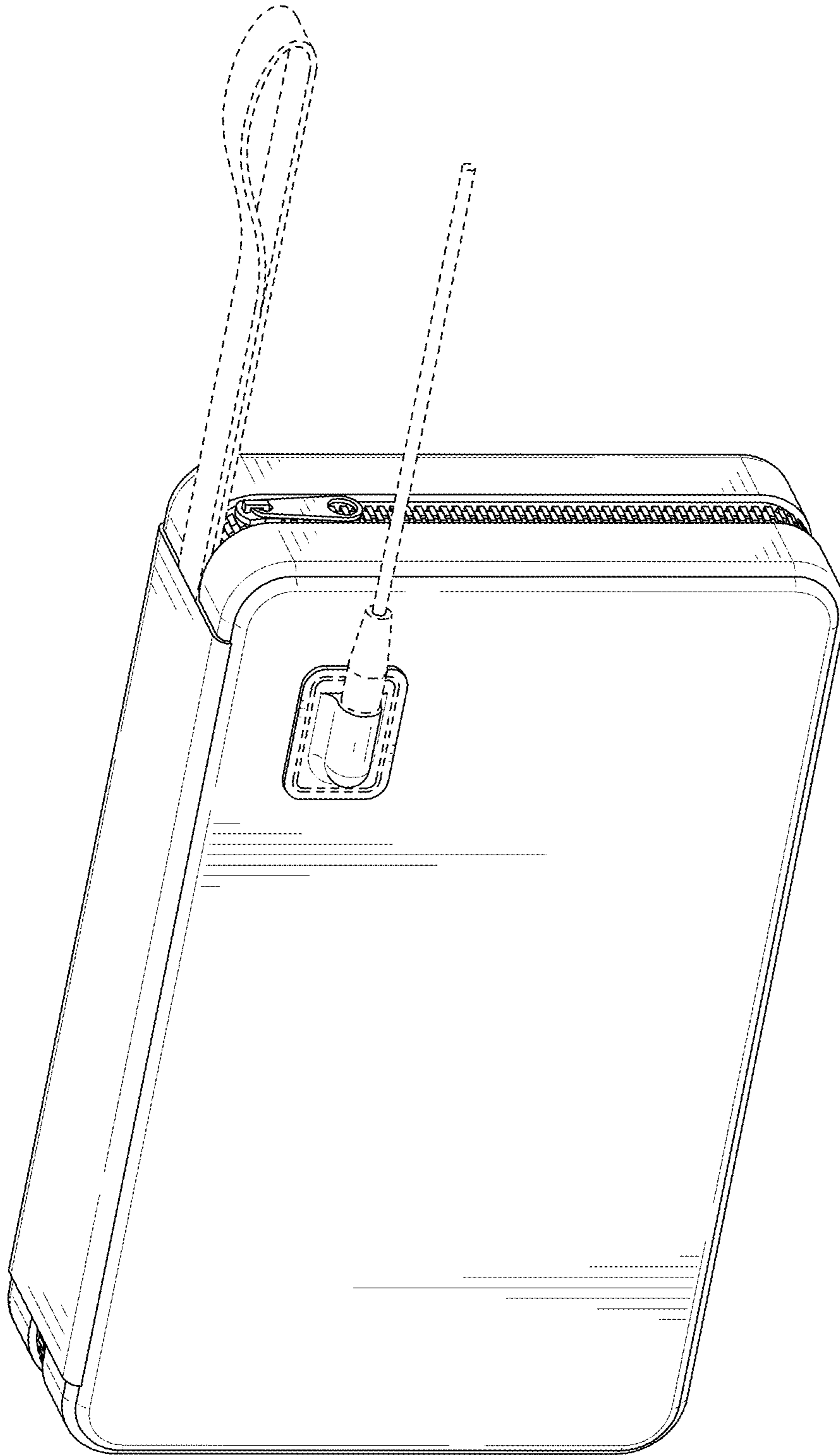


FIG. 9

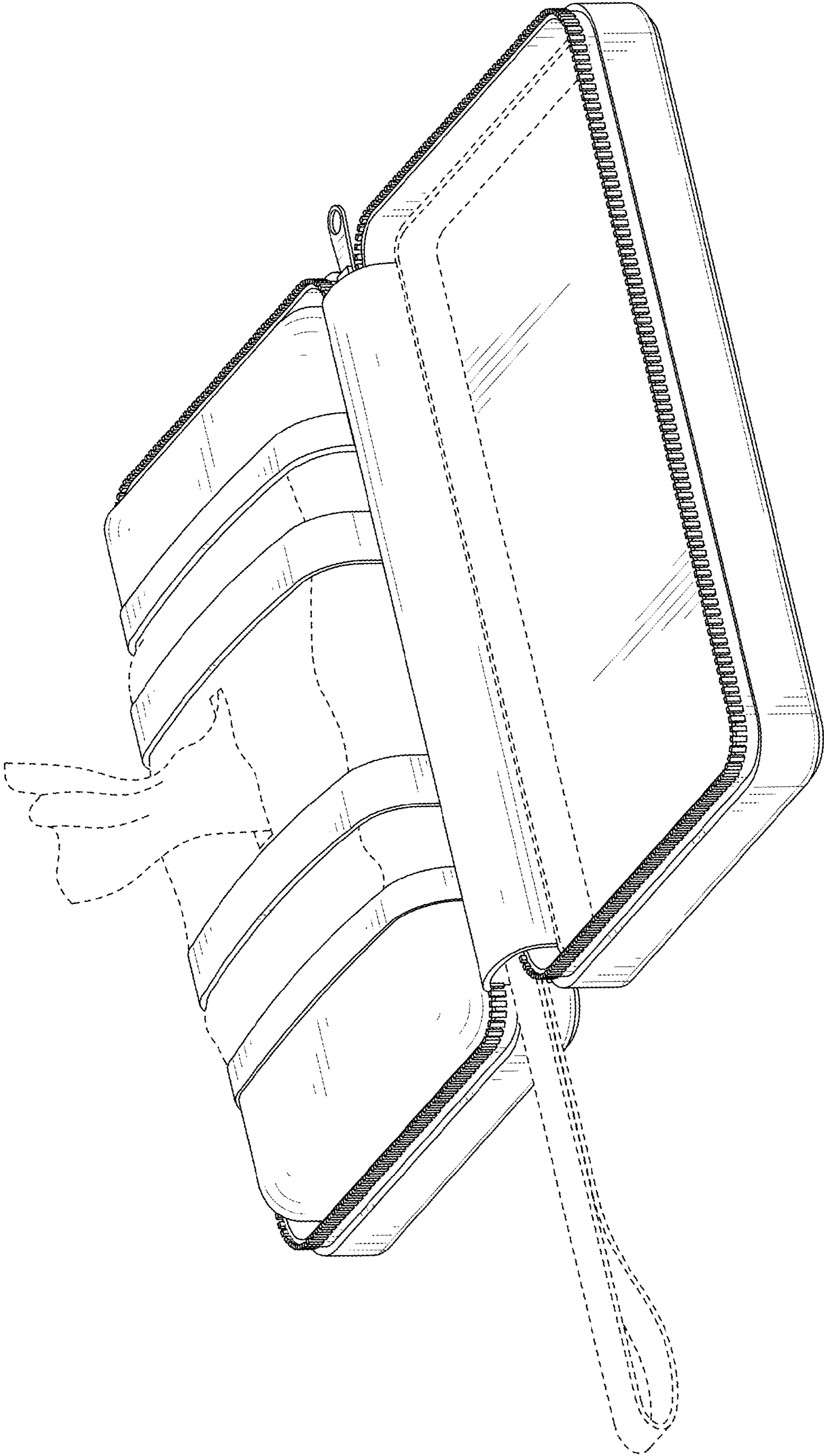


FIG. 10