

US00D916482S

(12) **United States Design Patent** (10) **Patent No.:** **US D916,482 S**
Li (45) **Date of Patent:** **** Apr. 20, 2021**

(54) **JEWELRY ORGANIZER**
(71) Applicant: **Canghuan Li**, Nanchang (CN)
(72) Inventor: **Canghuan Li**, Nanchang (CN)
(**) Term: **15 Years**
(21) Appl. No.: **29/730,322**
(22) Filed: **Apr. 2, 2020**
(51) **LOC (13) Cl.** **06-06**
(52) **U.S. Cl.**
USPC **D6/513**
(58) **Field of Classification Search**
USPC D6/514, 315, 317-320, 323, 326,
D6/512-513, 525, 552, 553, 567-570;
D3/201, 203.1, 205, 903; 206/6.1, 38,
206/58, 214, 278-279, 288-289, 575,
206/579, 730, 566, 349, 362.2, 568;
211/10, 13.1, 35, 41.12, 70.6, 85.2, 86.01,
211/87.01, 113; 223/66, 120; 248/176.1;
312/265.1; 383/23, 40, 121; D14/217,
D14/447
CPC .. A47F 5/00; A47F 5/0807; A47F 5/12; A47F
7/02; A47F 5/08; A47F 7/19; A47F
5/0006; A47F 5/0025; A47F 7/146; A45F
2200/05; A45C 2003/002; A45C 3/004;
A45C 7/0077; A45C 7/0095; A45C 9/00
See application file for complete search history.

D369,261 S * 4/1996 Brink D6/514
D483,203 S 12/2003 Dennig
D582,189 S 12/2008 Peterson
D605,441 S 12/2009 Lamplugh
D646,504 S 10/2011 Linscott et al.
D657,172 S * 4/2012 Carr D6/513
D665,203 S * 8/2012 Carr D6/514
D677,083 S * 3/2013 Carr D6/513
D678,700 S * 3/2013 Carr D6/513
D699,468 S * 2/2014 Carr D6/514
D699,964 S * 2/2014 Carr D6/514
D702,453 S 4/2014 Cohen
D709,298 S * 7/2014 Greenspon D6/514
D711,662 S 8/2014 Cohen
D784,720 S * 4/2017 Greenspon D6/514
D808,193 S 1/2018 Sun
D856,022 S 8/2019 Trainor-Smith

* cited by examiner

Primary Examiner — Mark Booker
(74) *Attorney, Agent, or Firm* — Law Offices of Steven
W. Weinrieb

(57) **CLAIM**

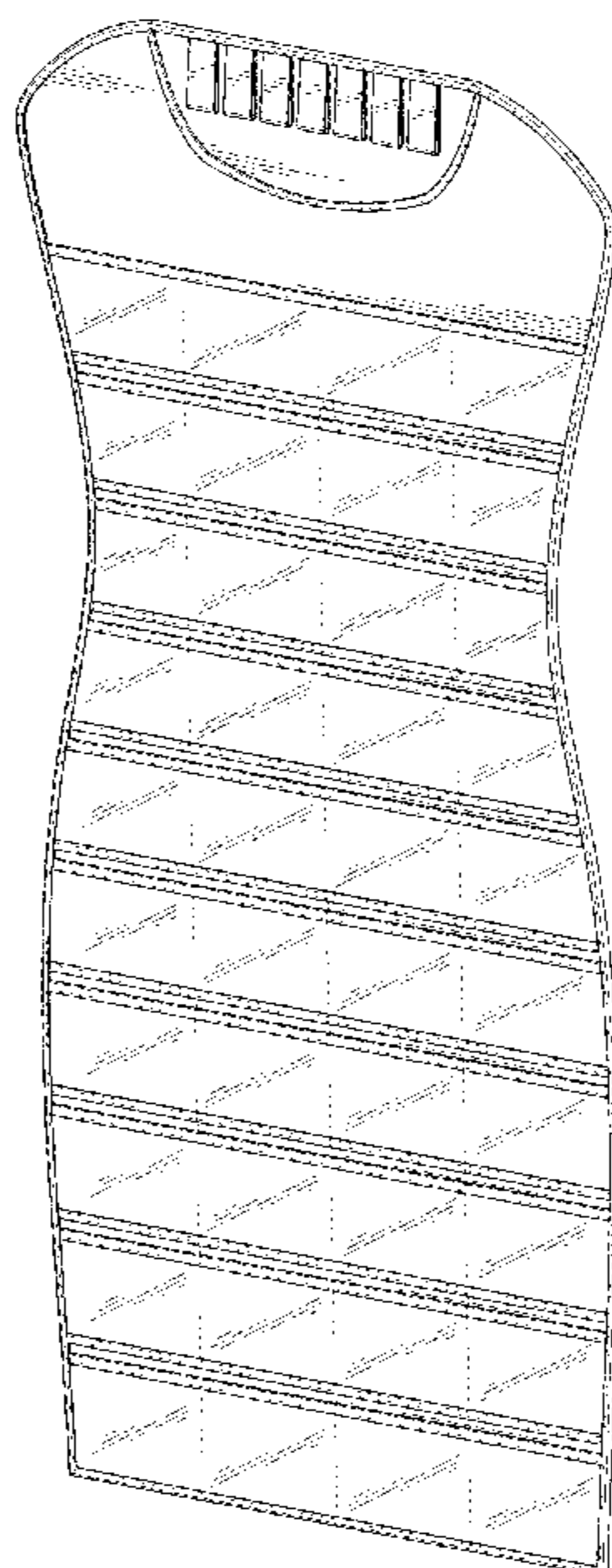
The ornamental design for a jewelry organizer, as shown and described.

DESCRIPTION

FIG. 1 is a front, right side, top perspective view of a jewelry organizer showing my new design;
FIG. 2 is a rear right side, bottom perspective view thereof;
FIG. 3 is a front elevational view thereof;
FIG. 4 is a rear elevational view thereof;
FIG. 5 is a left side elevational view thereof; and,
FIG. 6 is a front, right side, top perspective view of the jewelry organizer showing the jewelry organizer being hung upon a clothes hanger.
The broken lines depict environmental that forms no part of the claimed design for the jewelry organizer.

1 Claim, 6 Drawing Sheets

(56) **References Cited**
U.S. PATENT DOCUMENTS
D251,340 S 3/1979 Strasser
D315,839 S 4/1991 Martorella
D320,131 S 9/1991 Pereyra
D332,697 S 1/1993 Schildkraut
D344,647 S 3/1994 Clough
D350,027 S 8/1994 Downes



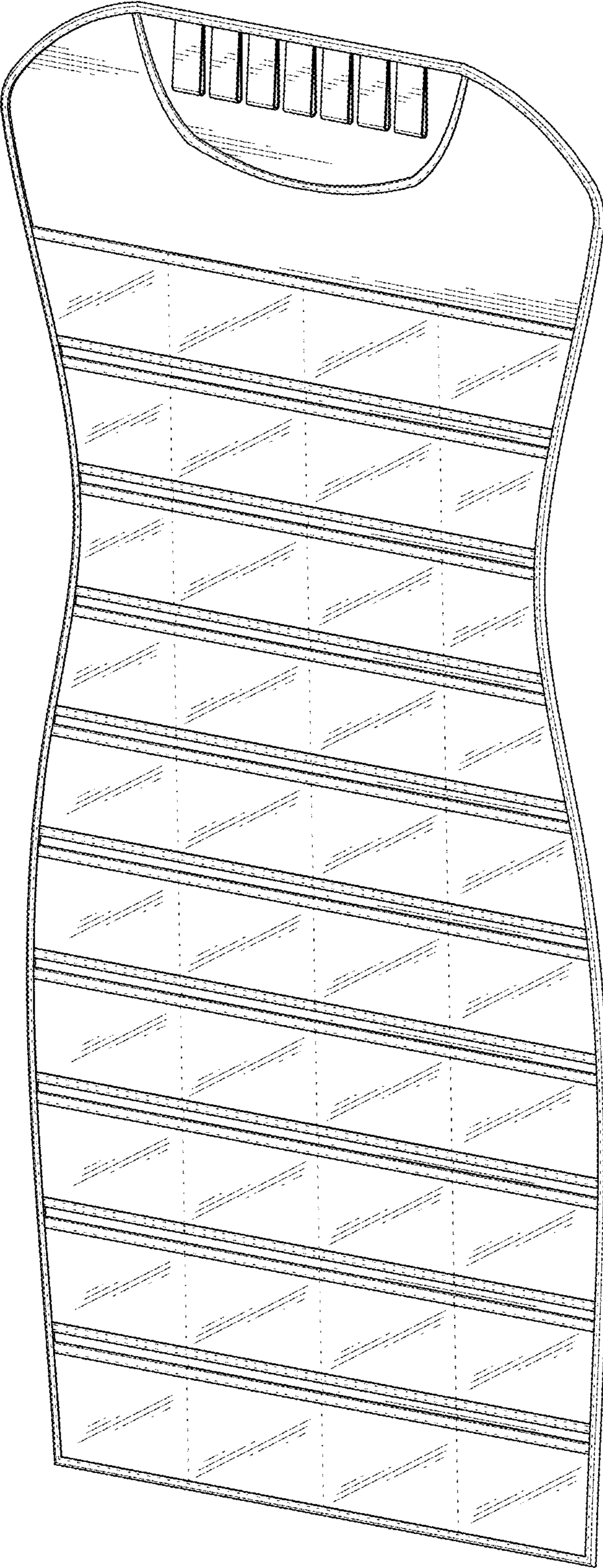


FIG.1

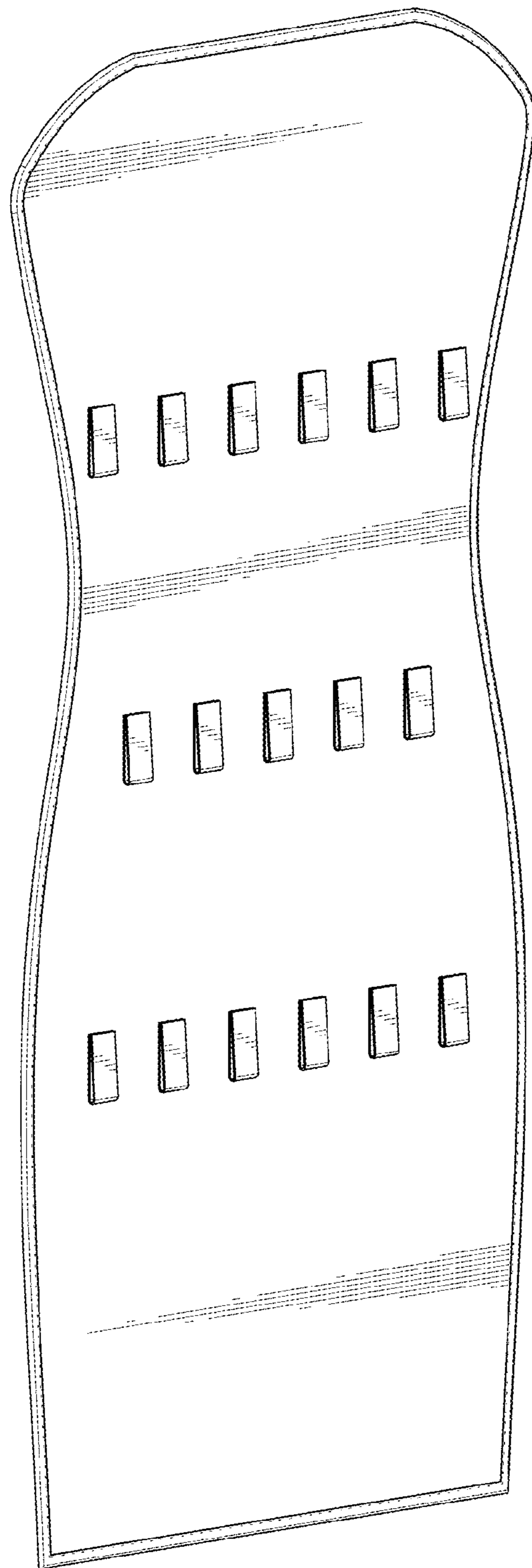


FIG. 2

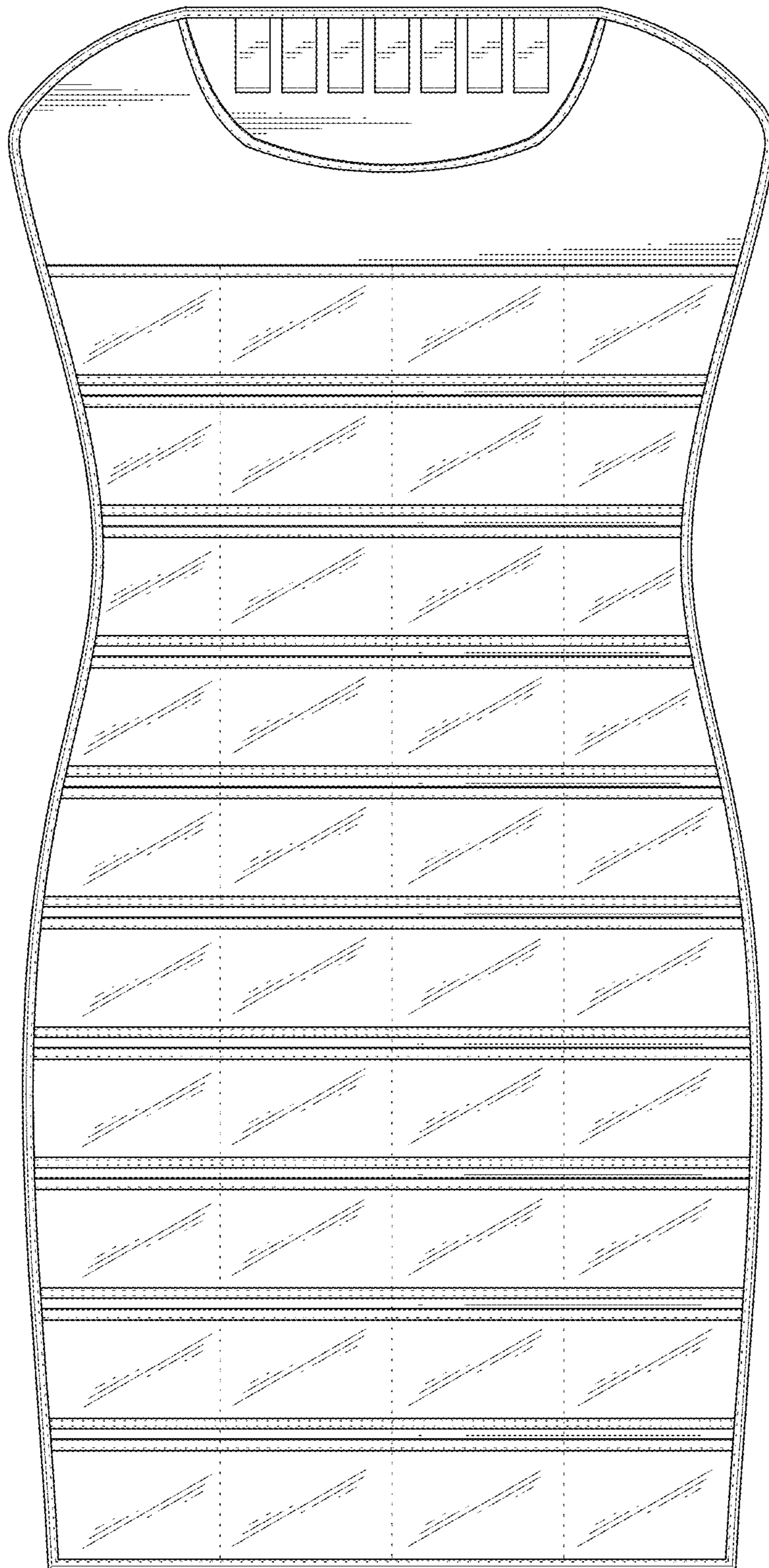


FIG. 3

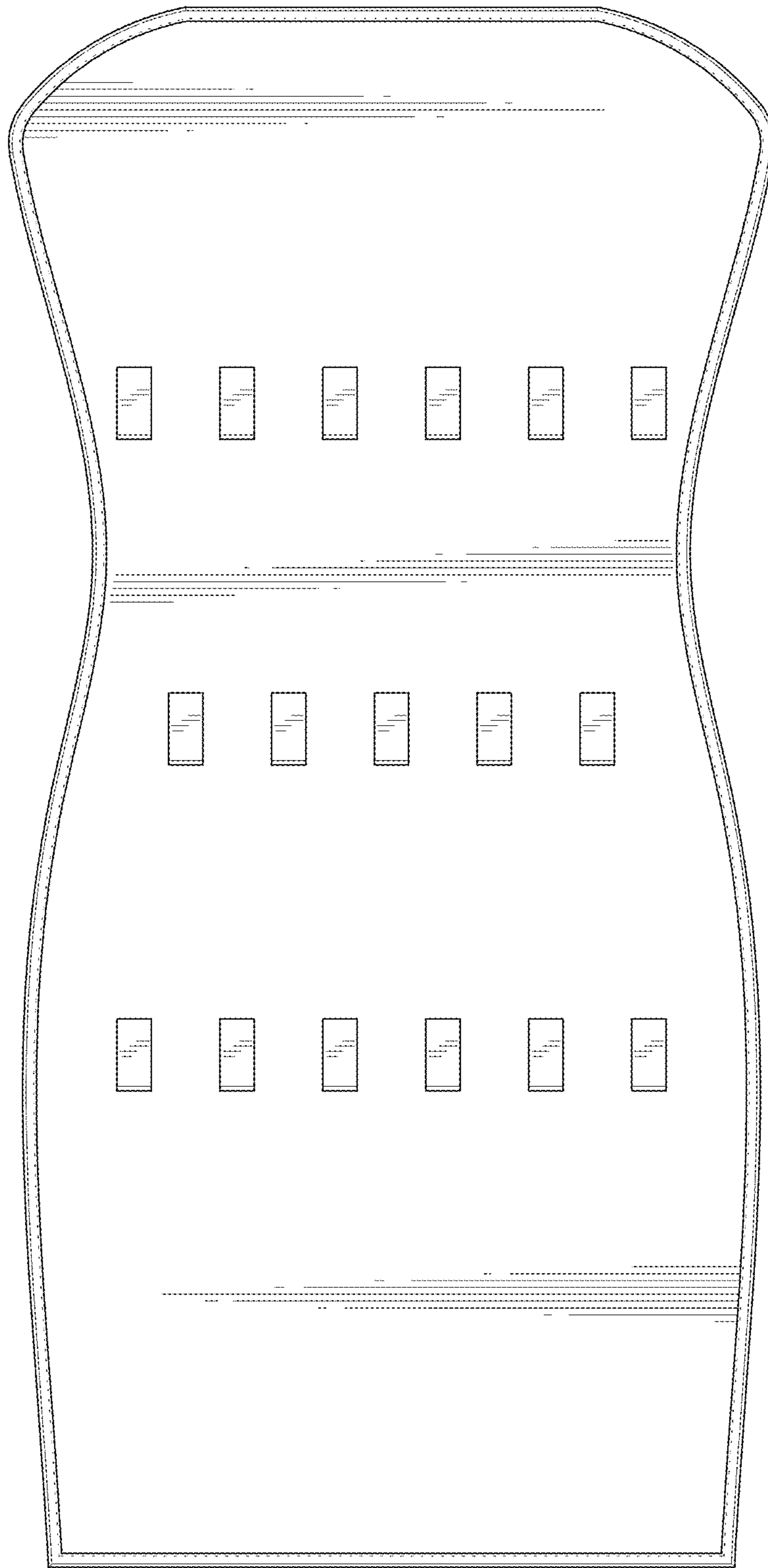


FIG.4

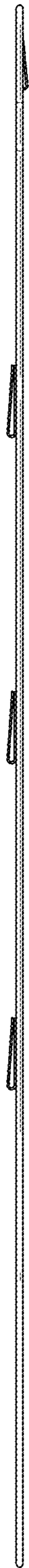


FIG.5

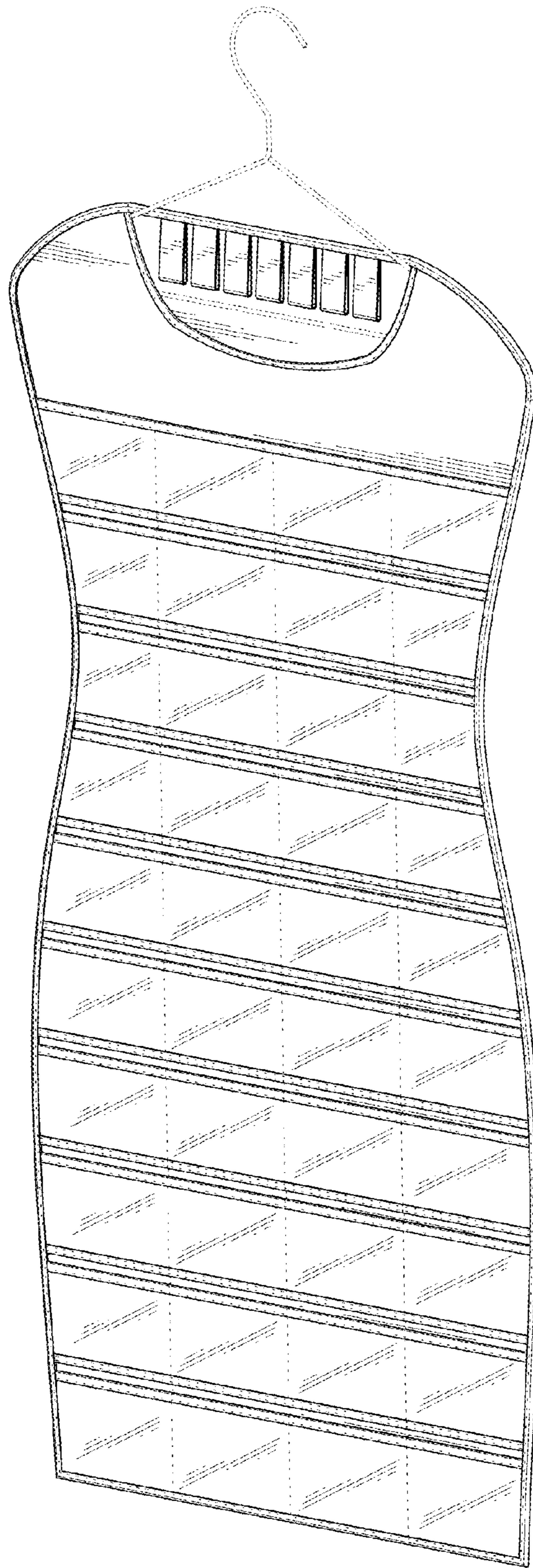


FIG. 6