



US00D916479S

(12) **United States Design Patent** (10) **Patent No.:** **US D916,479 S**  
**Zeng** (45) **Date of Patent:** **\*\* Apr. 20, 2021**

(54) **INFLATABLE BED**  
(71) Applicant: **Bing Zeng**, Heyuan (CN)  
(72) Inventor: **Bing Zeng**, Heyuan (CN)  
(\*\*) Term: **15 Years**  
(21) Appl. No.: **29/709,287**  
(22) Filed: **Oct. 13, 2019**

(30) **Foreign Application Priority Data**

Jul. 12, 2019 (CN) ..... 201930371076.9

(51) **LOC (13) Cl.** ..... **06-02**

(52) **U.S. Cl.**  
USPC ..... **D6/382**

(58) **Field of Classification Search**  
USPC ..... D6/382, 383, 390-392, 361; D21/803,  
D21/804, 809, 810; D24/207  
CPC ..... A47C 3/16; A47C 4/54; A47C 15/006;  
B63C 9/042  
See application file for complete search history.

(56) **References Cited**

**U.S. PATENT DOCUMENTS**

5,033,742 A \* 7/1991 Johnson ..... A63B 21/4037  
482/140  
D375,990 S \* 11/1996 Peterson ..... D21/804  
D481,436 S \* 10/2003 Peterson ..... A63B 21/4037  
D21/803

D481,437 S \* 10/2003 Peterson ..... D21/803  
D486,877 S \* 2/2004 Peterson ..... D21/809  
D499,785 S \* 12/2004 Klimenko ..... D21/803  
D503,765 S \* 4/2005 Klimenko ..... D21/803  
D549,298 S \* 8/2007 Peterson ..... D21/803  
D595,384 S \* 6/2009 Marciano ..... D21/803  
D816,179 S \* 4/2018 de Grasse ..... D21/803  
D865,398 S \* 11/2019 Zhang ..... D6/604  
D871,789 S \* 1/2020 Zhu ..... D6/361  
D897,706 S \* 10/2020 Zhang ..... D6/361  
2018/0317657 A1 \* 11/2018 Yang ..... A47C 4/54  
D21/803

\* cited by examiner

*Primary Examiner* — Mary Ann Calabrese  
(74) *Attorney, Agent, or Firm* — W&K IP

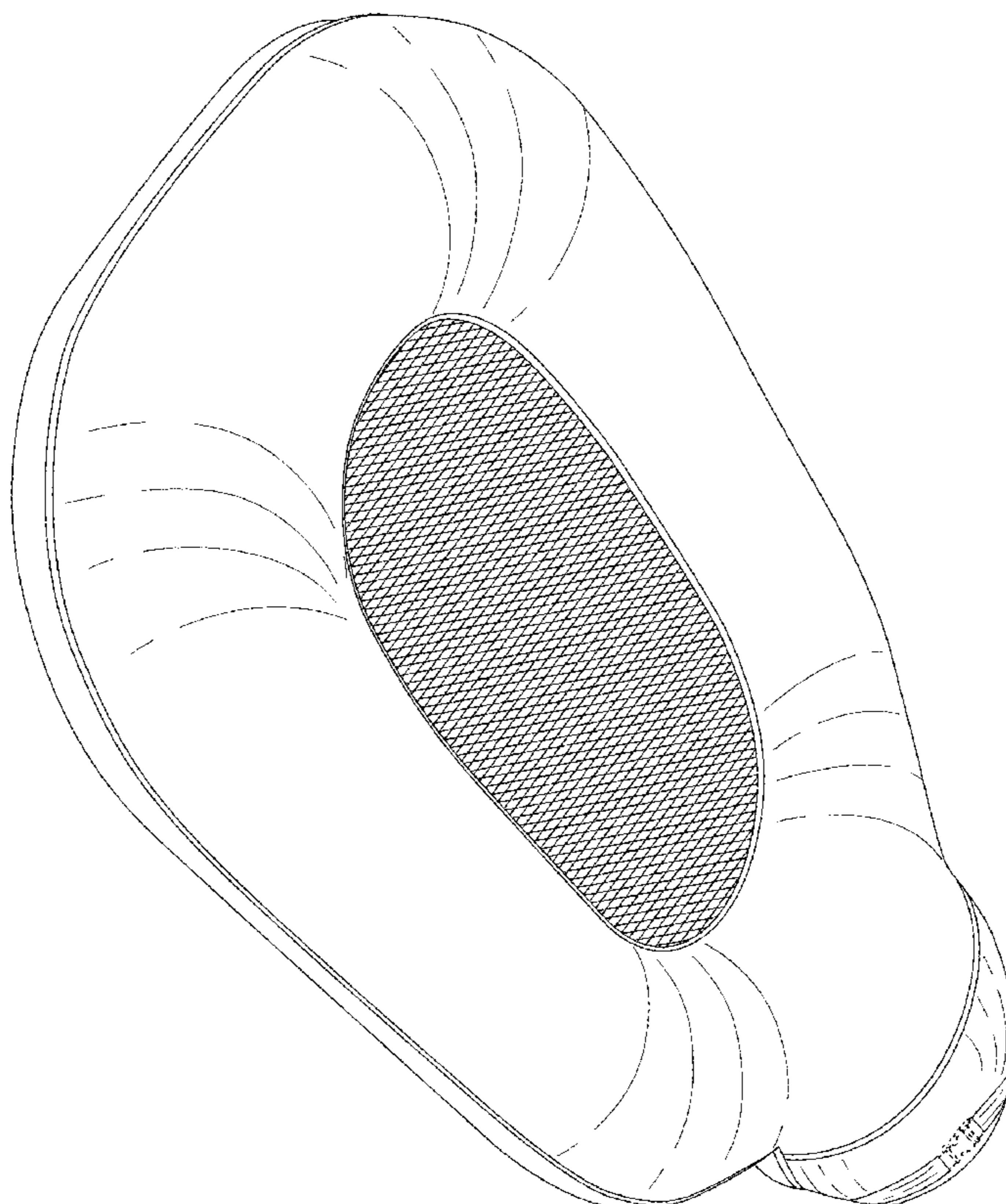
(57) **CLAIM**

The ornamental design for an inflatable bed, as shown and described.

**DESCRIPTION**

FIG. 1 is a perspective view of an inflatable bed showing my new design;  
FIG. 2 is a front elevational view thereof;  
FIG. 3 is a rear elevational view thereof;  
FIG. 4 is a left elevational view thereof;  
FIG. 5 is a right elevational view thereof;  
FIG. 6 is a top plan view thereof; and,  
FIG. 7 is a bottom plan view thereof.  
The broken lines show portions of the article which form no part of the claimed design.

**1 Claim, 7 Drawing Sheets**



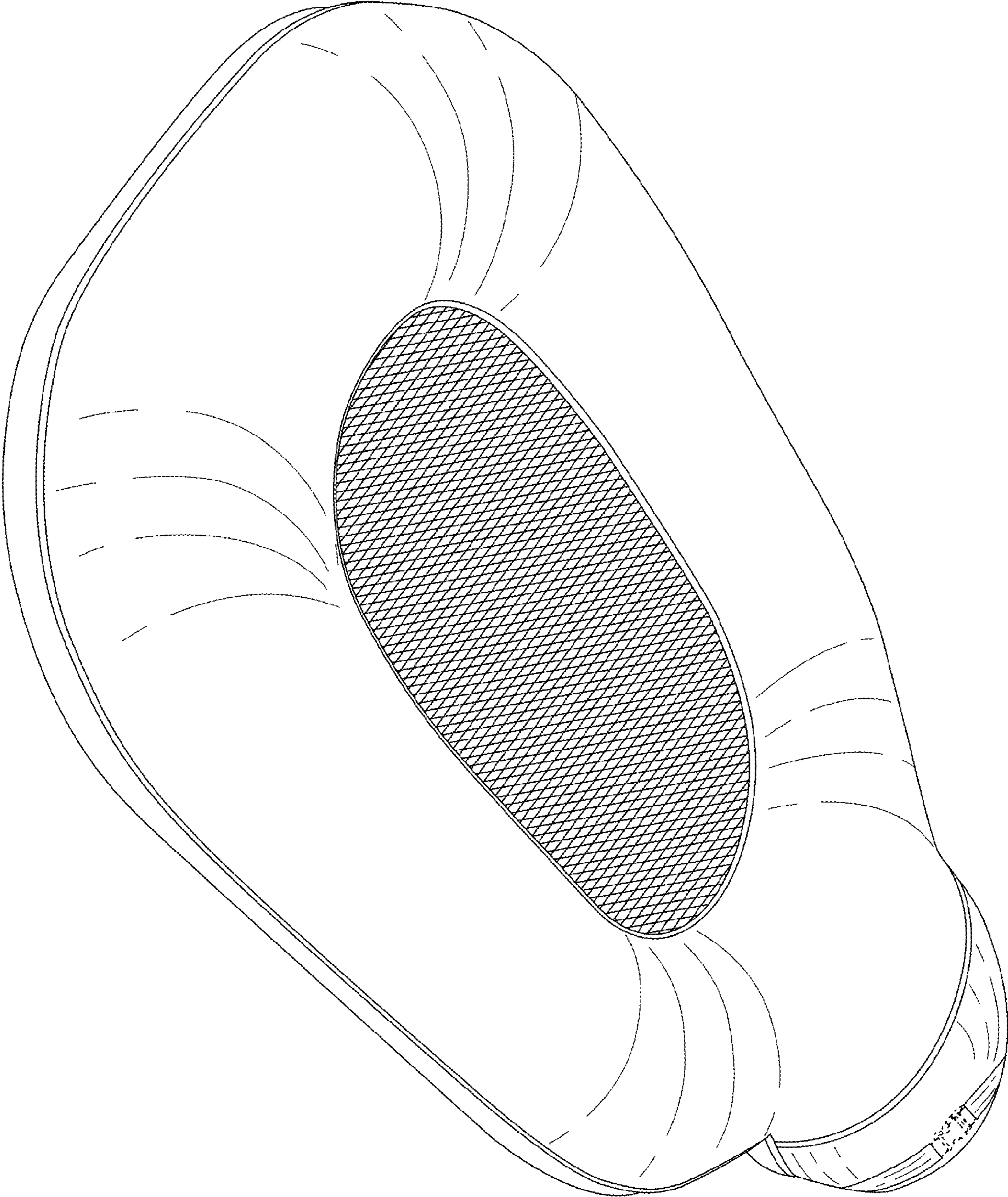


FIG.1

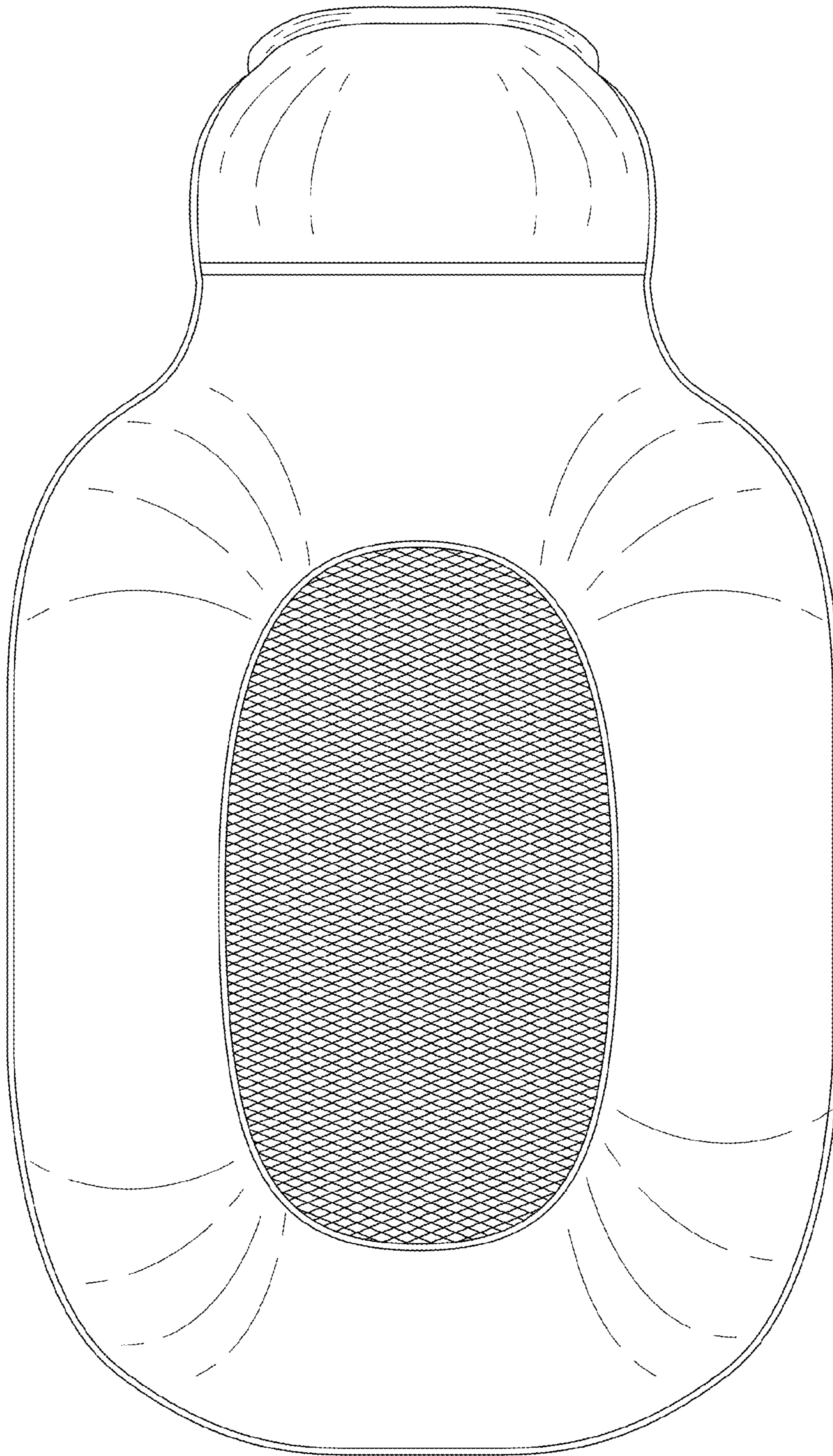


FIG.2

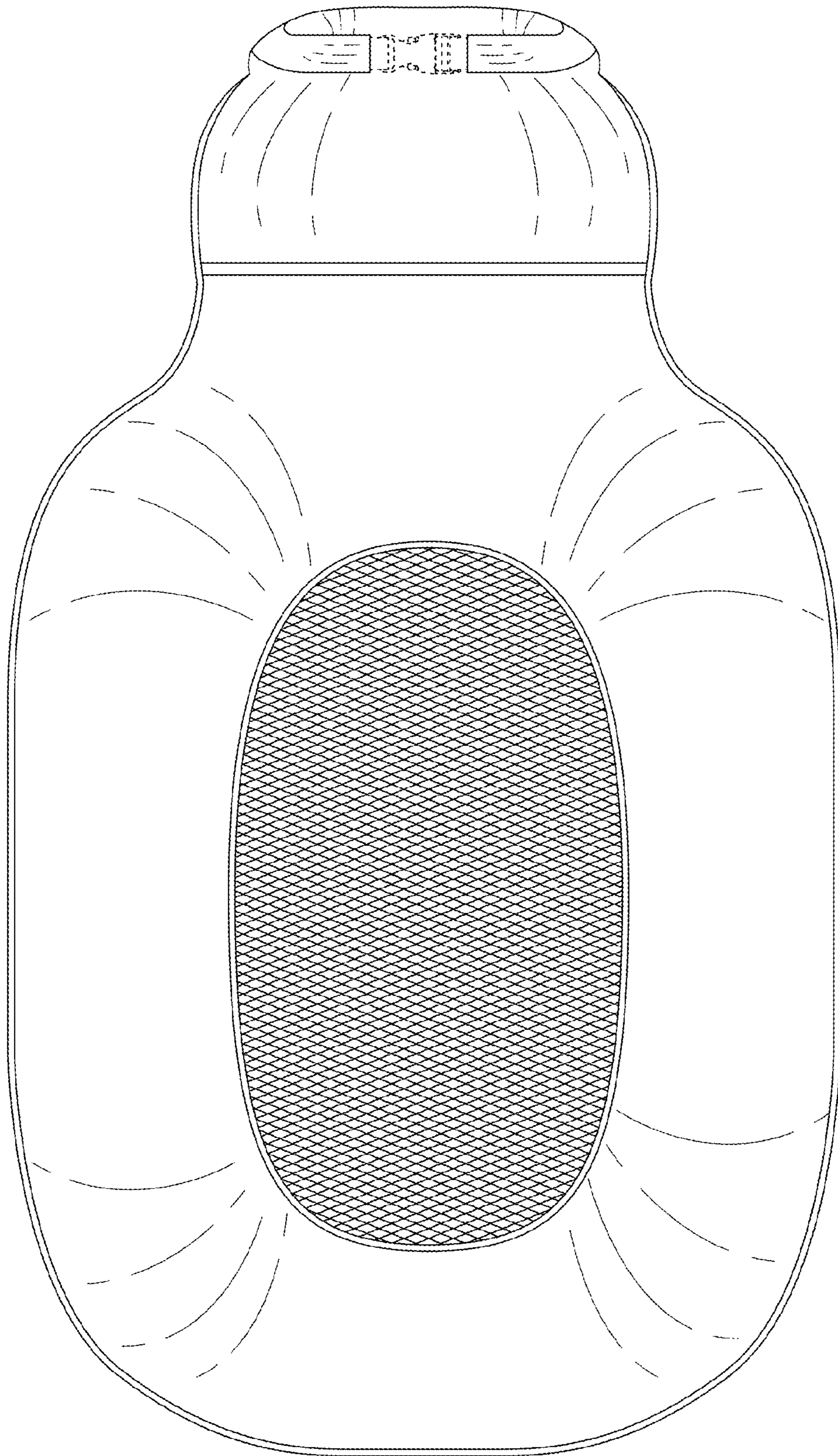


FIG.3

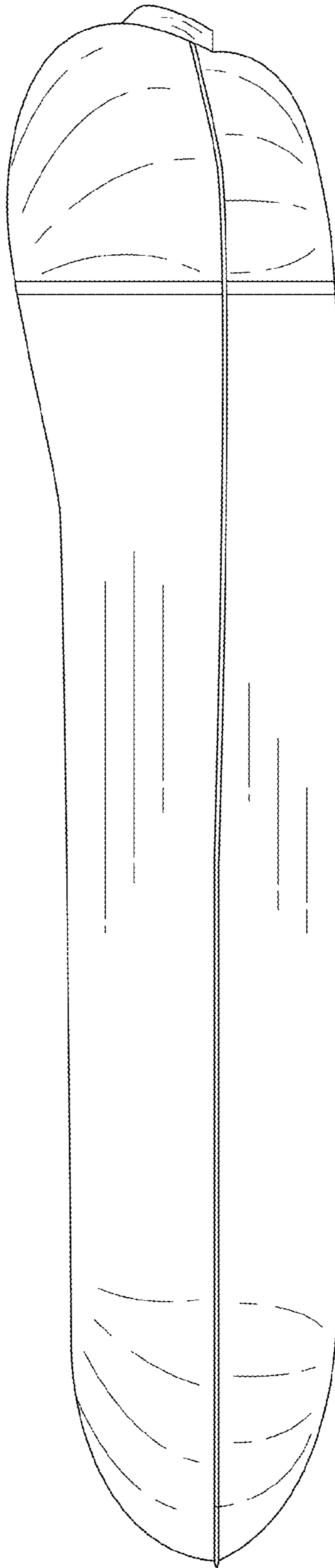


FIG.4

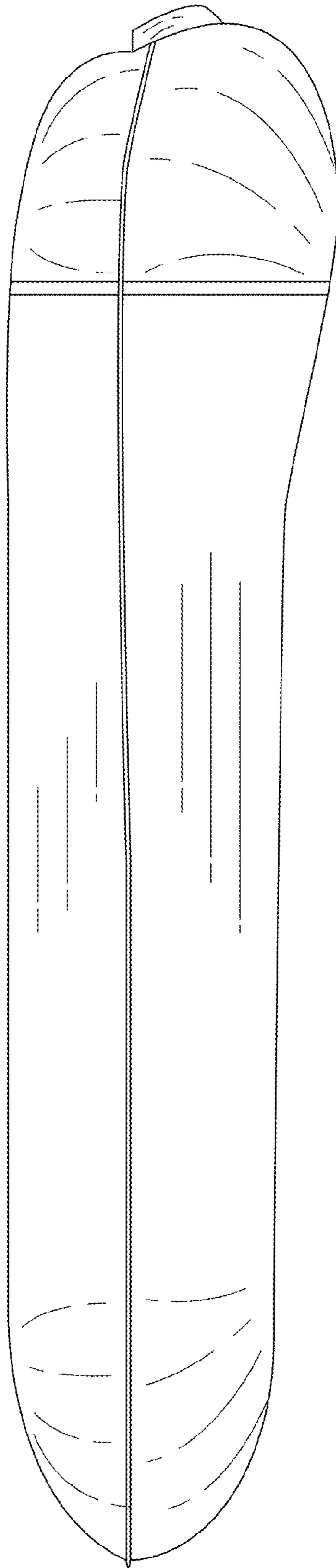


FIG.5

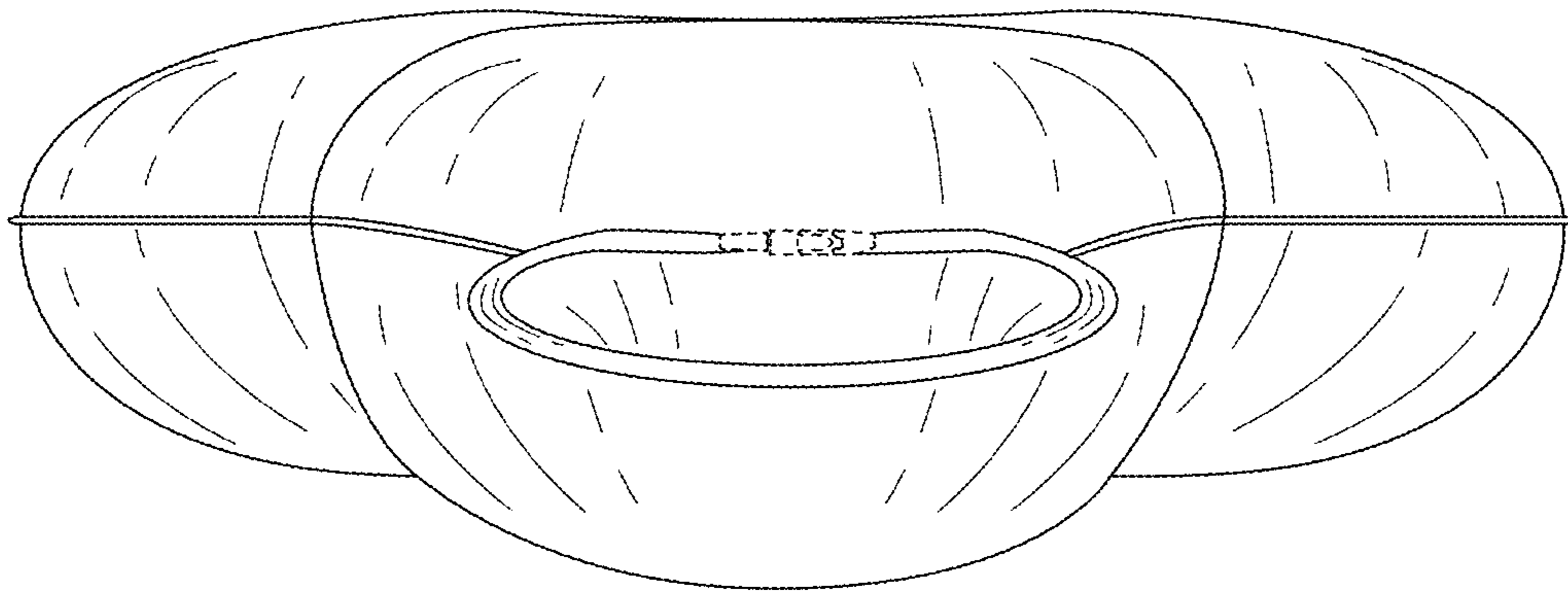


FIG.6

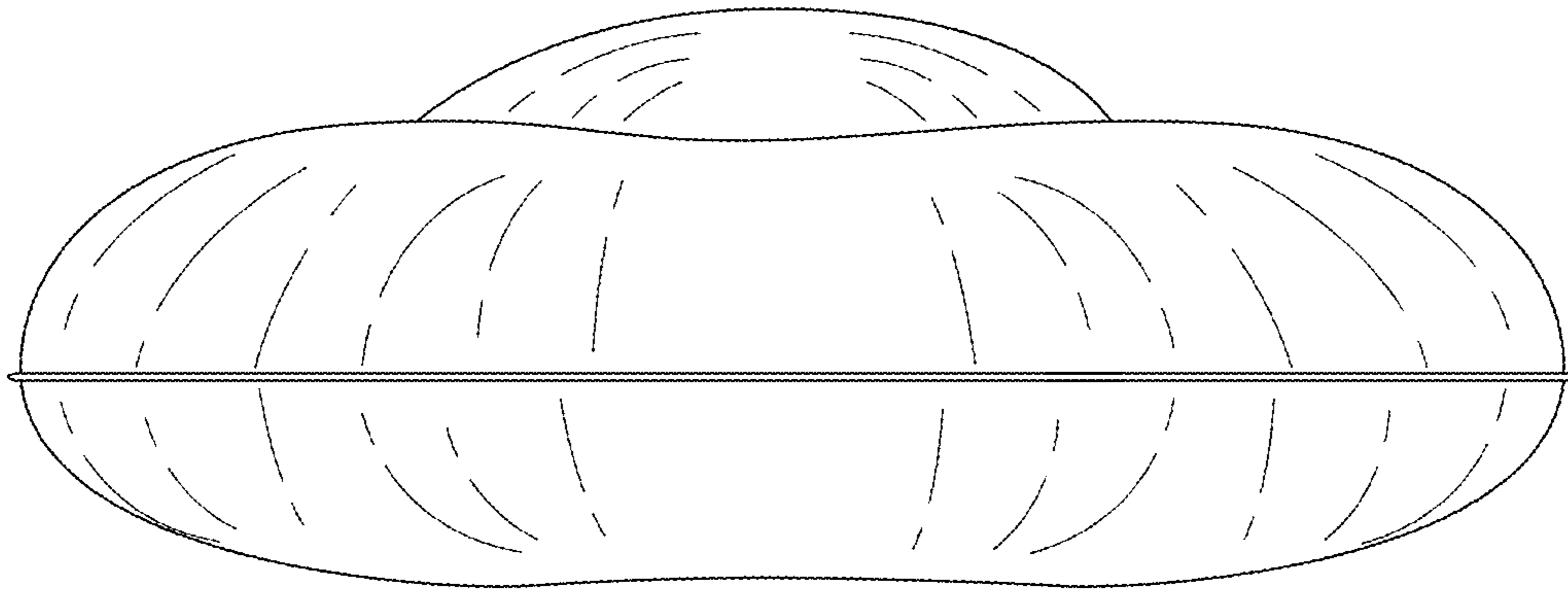


FIG.7