



US00D916476S

(12) **United States Design Patent** (10) **Patent No.:** **US D916,476 S**  
**Wu** (45) **Date of Patent:** **\*\* Apr. 20, 2021**

(54) **CHAIR**

(56) **References Cited**

(71) Applicant: **Dxracer Technology Wuxi Co., Ltd.,**  
Wuxi (CN)

(72) Inventor: **Qing Wu, Jiangyin (CN)**

(73) Assignee: **Dxracer Technology Wuxi Co., Ltd.,**  
Wuxi (CN)

(\*\*) Term: **15 Years**

(21) Appl. No.: **29/668,684**

(22) Filed: **Nov. 1, 2018**

U.S. PATENT DOCUMENTS

D445,581 S *	7/2001	Su	.....	D6/366
D486,656 S *	2/2004	Su	.....	D6/366
D509,077 S *	9/2005	Beermann	.....	D6/356
D528,810 S *	9/2006	Giugiaro	.....	D6/366
D532,211 S *	11/2006	Su	.....	D6/366
D549,475 S *	8/2007	Su	.....	D6/356
D550,976 S *	9/2007	Bellini	.....	D6/366
D573,361 S *	7/2008	Kung	.....	D6/366
D576,813 S *	9/2008	Baldanzi	.....	D6/366
D794,347 S *	8/2017	Cazzaniga	.....	D6/366
D851,974 S *	6/2019	Shen	.....	D6/716
D852,563 S *	7/2019	Shen	.....	D6/716
D853,741 S *	7/2019	Turner	.....	D6/356
D869,214 S *	12/2019	Chen	.....	D6/716

\* cited by examiner

**Related U.S. Application Data**

(63) Continuation of application No. PCT/CN2015/087212, filed on Aug. 17, 2015.

(30) **Foreign Application Priority Data**

Aug. 6, 2018 (CN) ..... 201830429976.X

(51) **LOC (13) Cl.** ..... **06-01**

(52) **U.S. Cl.**  
USPC ..... **D6/366**

(58) **Field of Classification Search**

USPC ..... D6/365, 366, 716, 356, 364, 716.4, D6/716.7, 367, 379  
CPC .... A47C 7/02; A47C 7/40; A47C 7/44; A47C 7/46; A47C 7/445; A47C 31/023; B60N 2/0284; B60N 2/062; B60N 2/24; B60N 2/58; B60N 2/64; B60N 2/68; B60N 2/80; B60N 2/99; B60N 2/245; B60N 2/643; B60N 2/646; B60N 2/665; B60N 2/686; B60N 2/688; B60N 2/803; B60N 2/986; B60N 2/914; B60N 2/995; B60R 22/001; F16B 2/08; F16B 45/00

See application file for complete search history.

*Primary Examiner* — Kevin K Rudzinski

*Assistant Examiner* — Paul D Bohannon

(74) *Attorney, Agent, or Firm* — Dragon Sun Law Firm, PC; Jinggao Li, Esq.

(57) **CLAIM**

A new, original, ornamental design for a chair, as shown and described.

**DESCRIPTION**

FIG. 1 is a perspective view of a chair showing my new design;

FIG. 2 is a front view thereof;

FIG. 3 is a back view thereof;

FIG. 4 is a left view thereof;

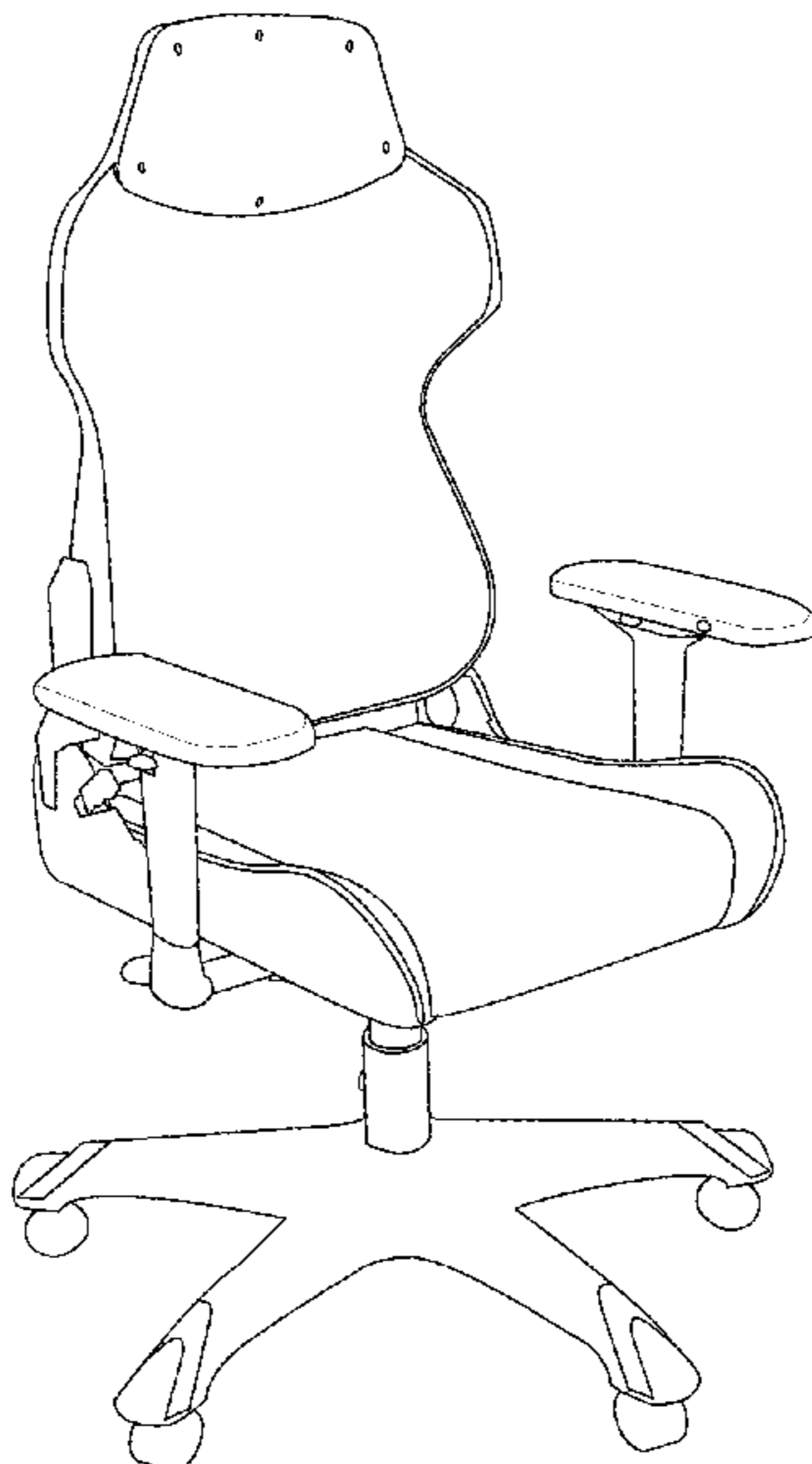
FIG. 5 is a right view thereof;

FIG. 6 is a top view thereof; and,

FIG. 7 is a bottom view thereof.

The broken lines shown in the drawings are for the purpose of illustrating portions of the article and form no part of the claimed design.

**1 Claim, 7 Drawing Sheets**



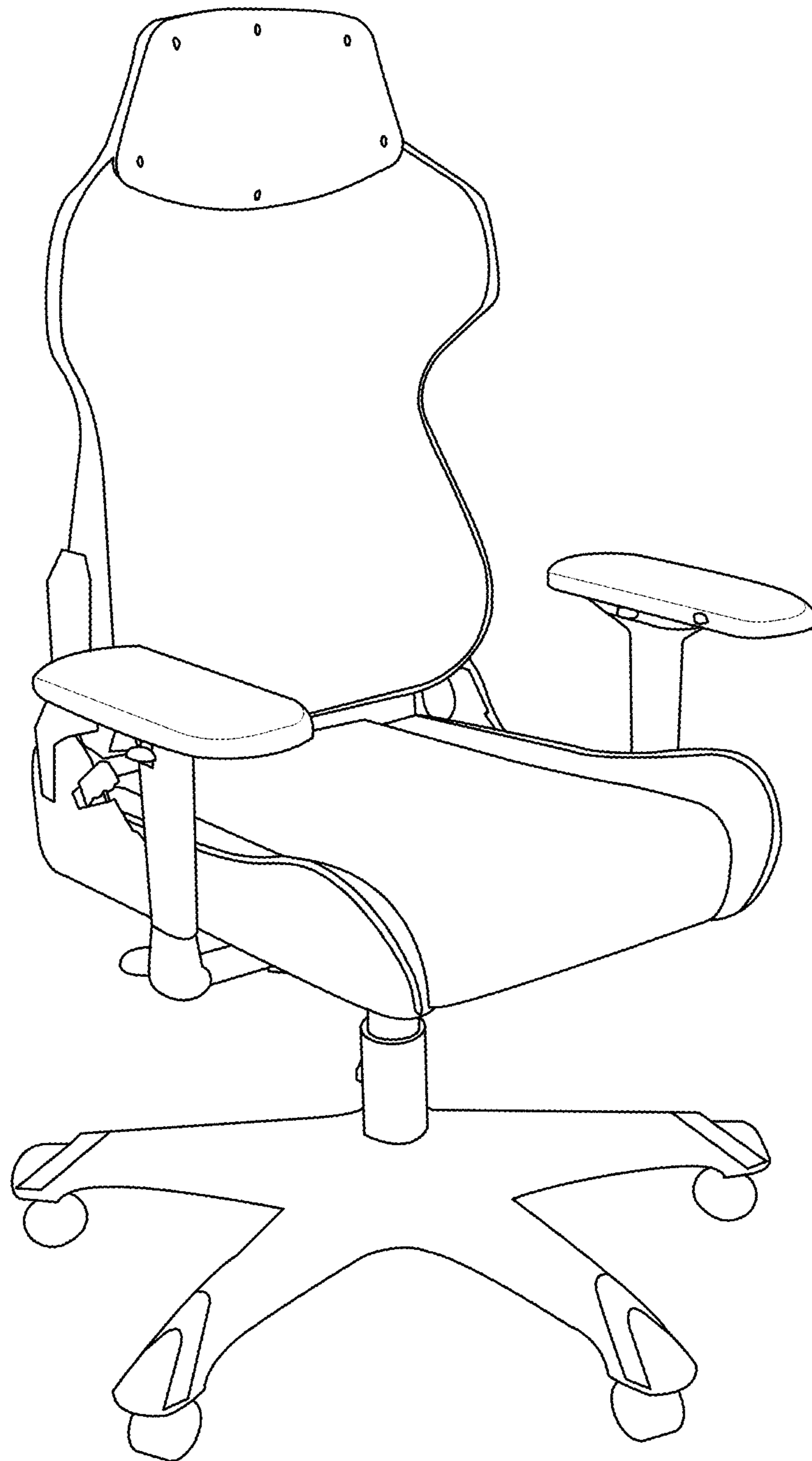


FIG. 1

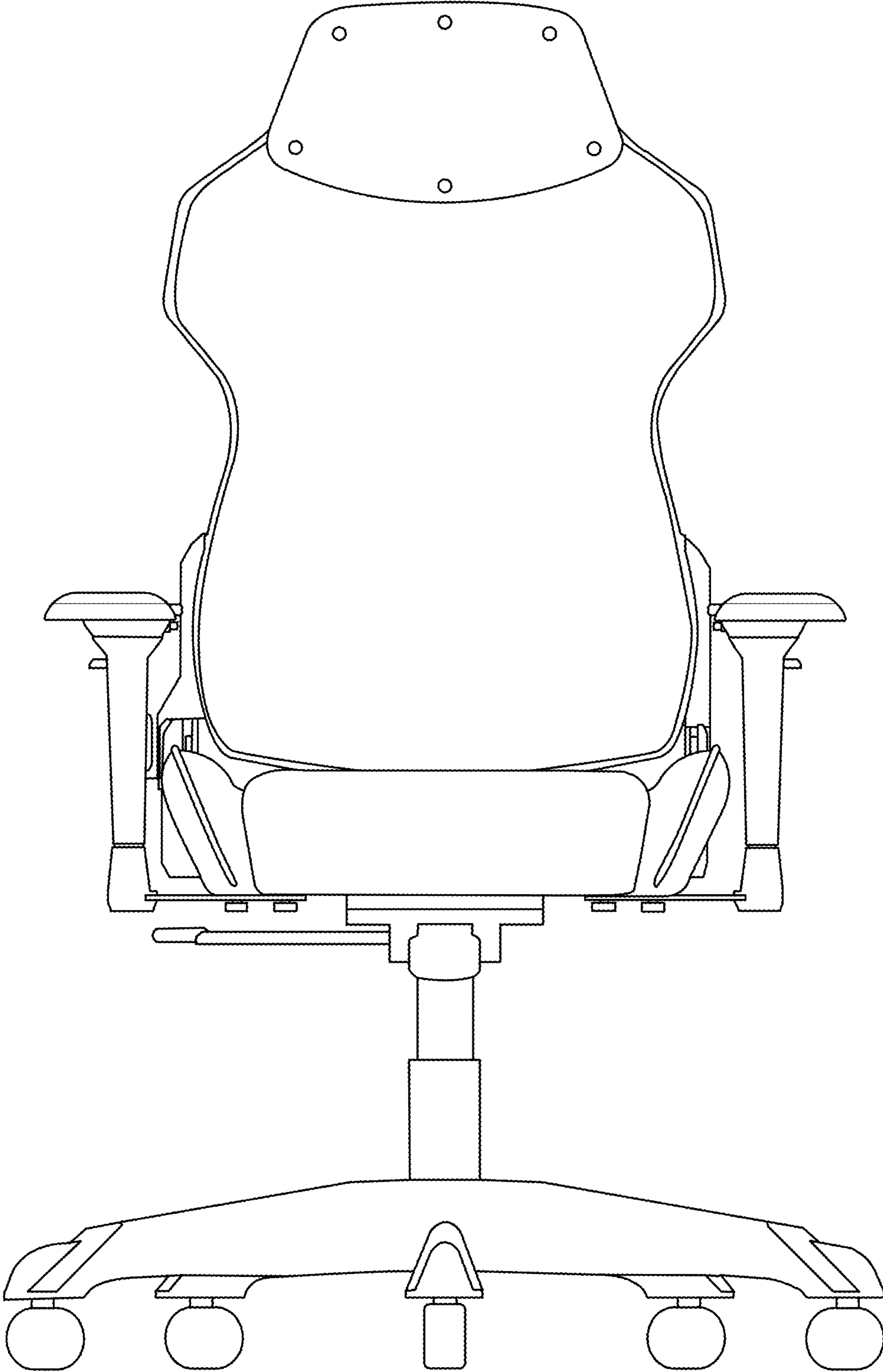


FIG. 2

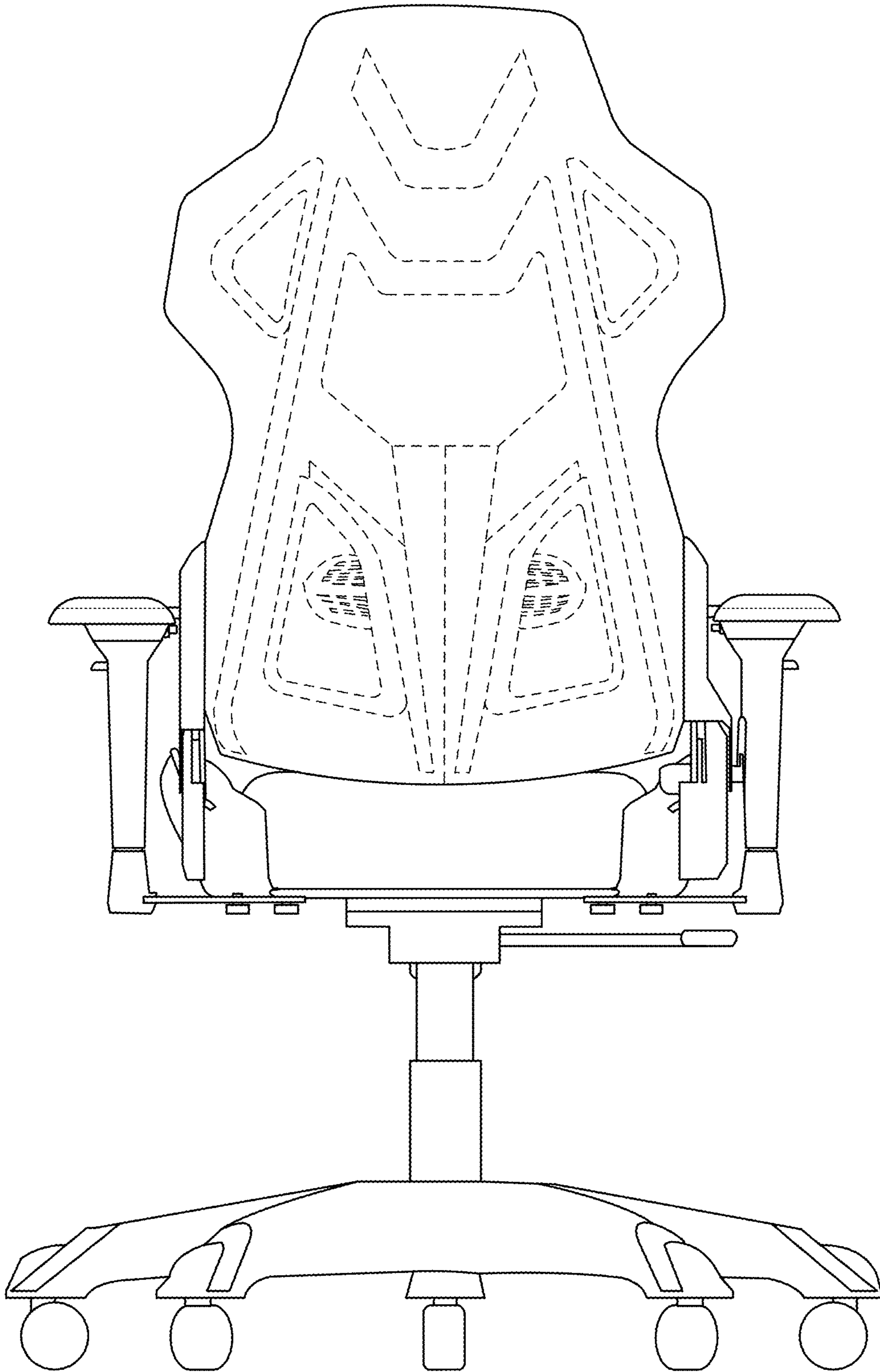


FIG. 3

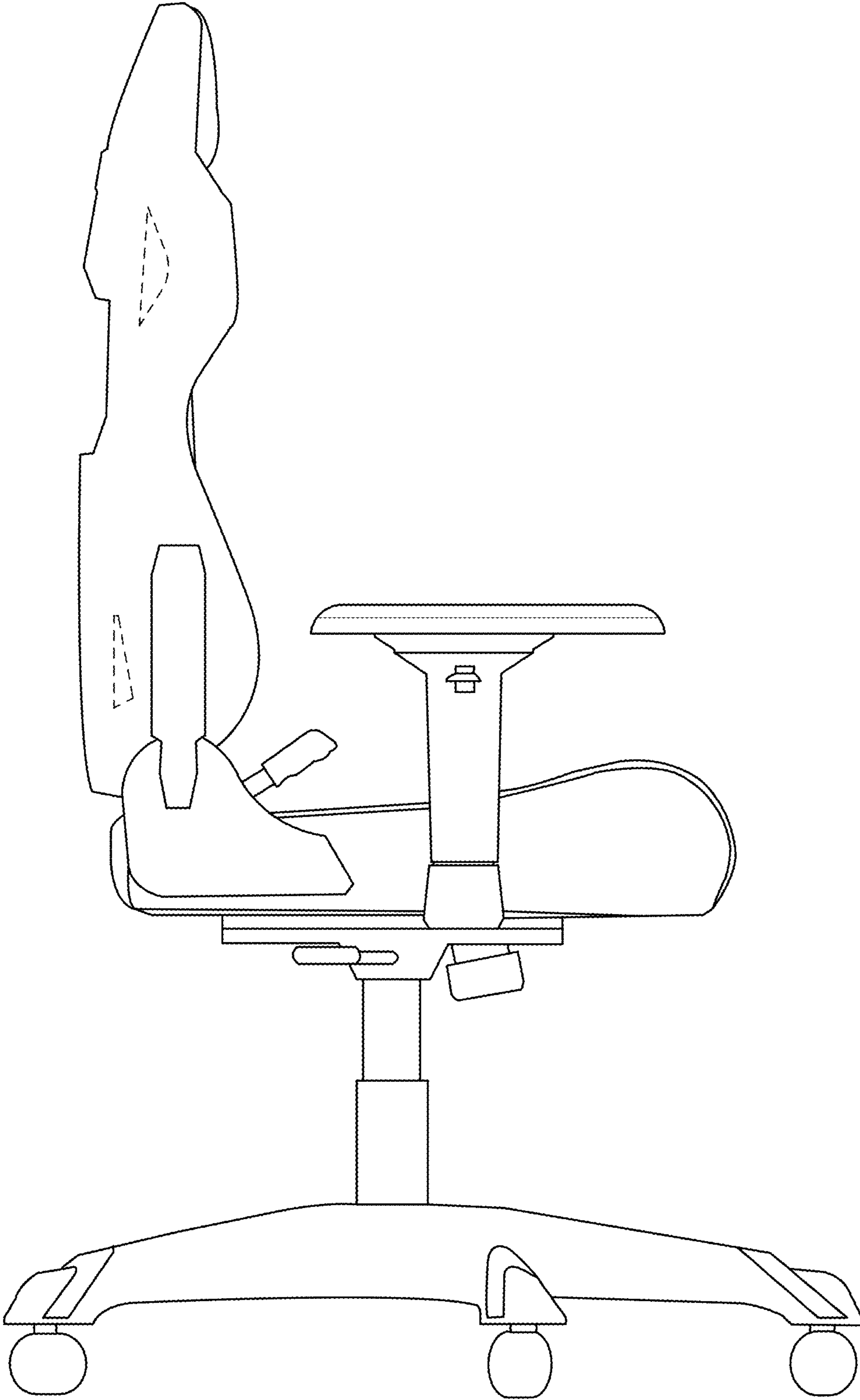


FIG. 4



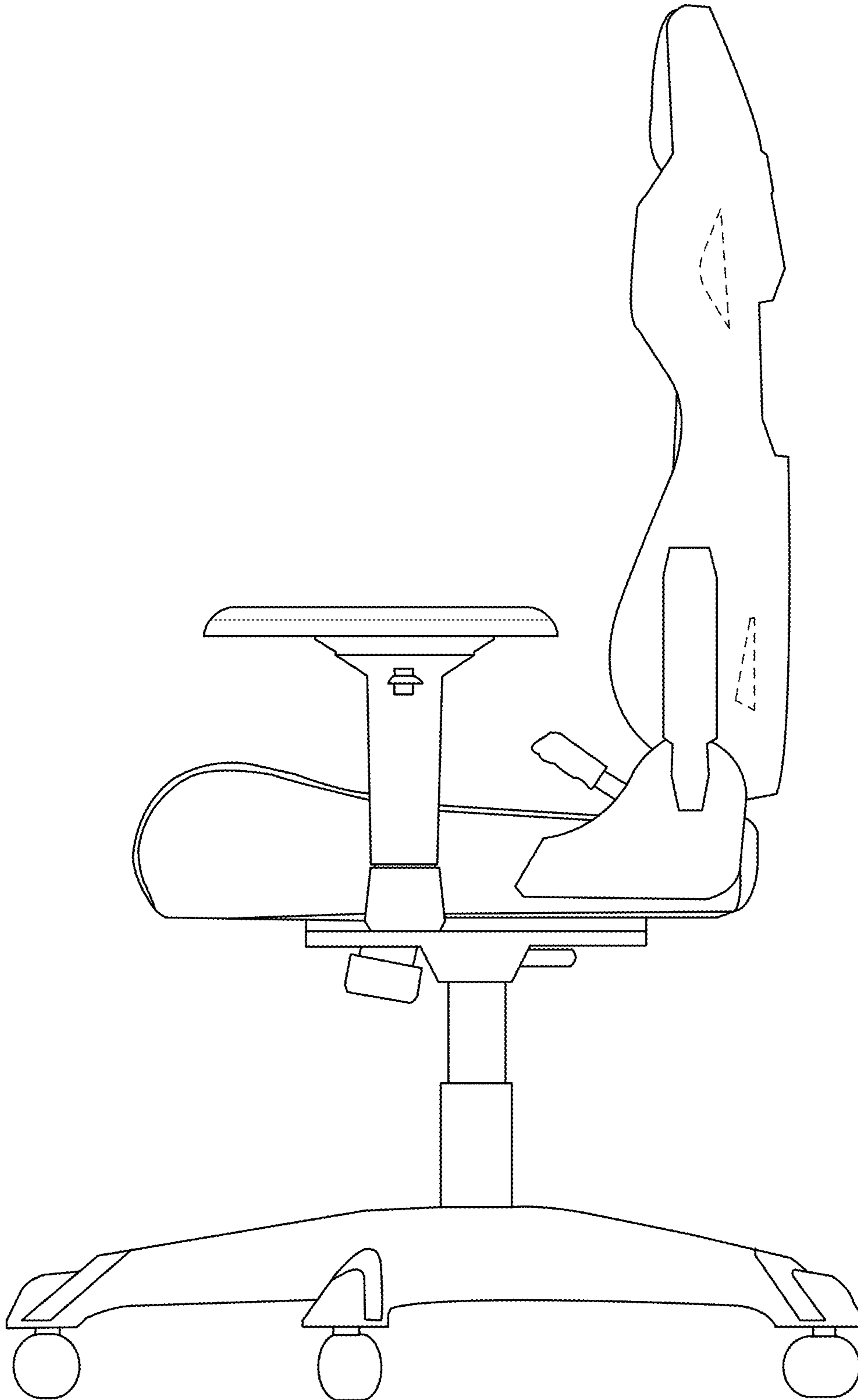


FIG. 5

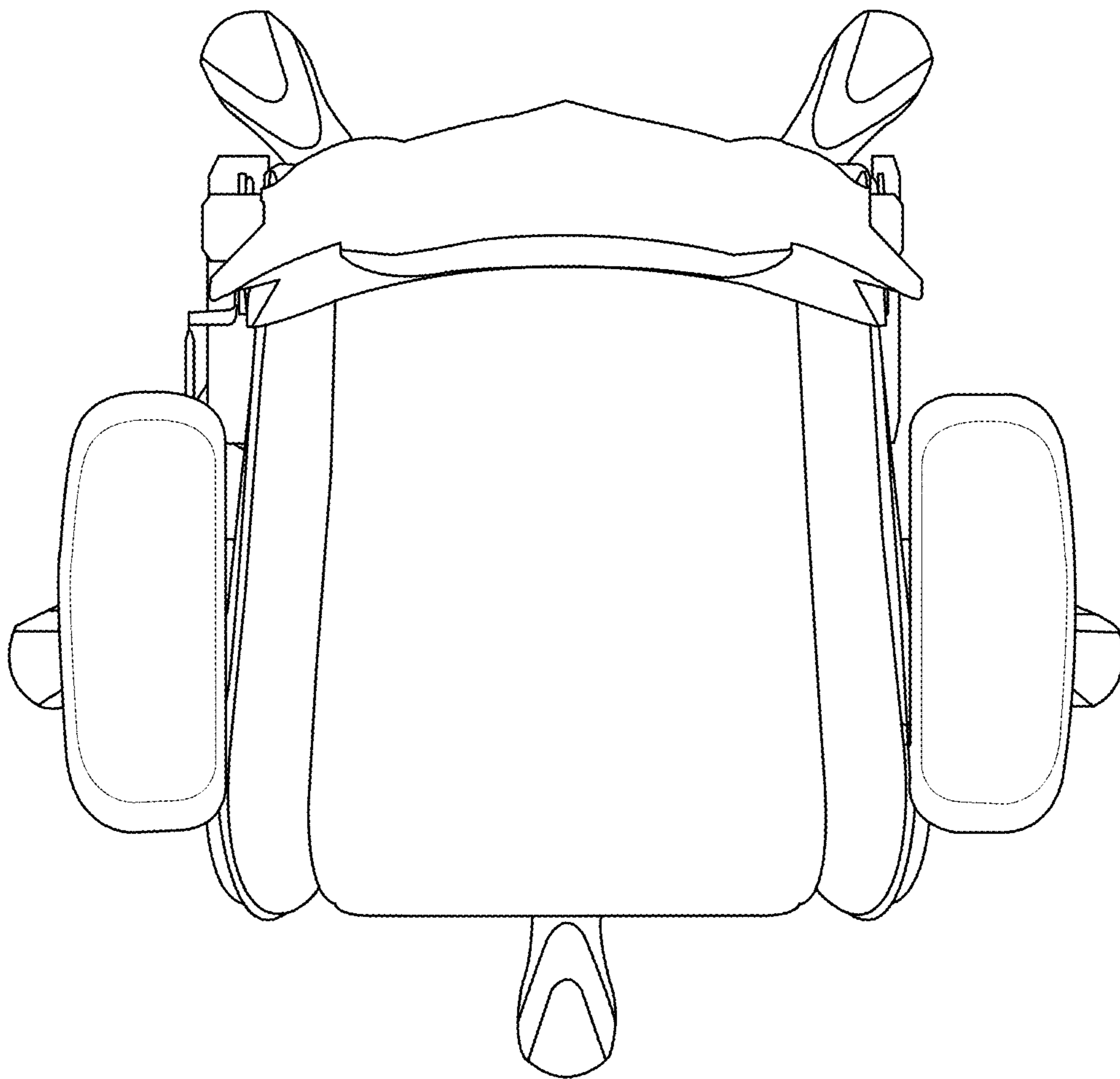


FIG. 6

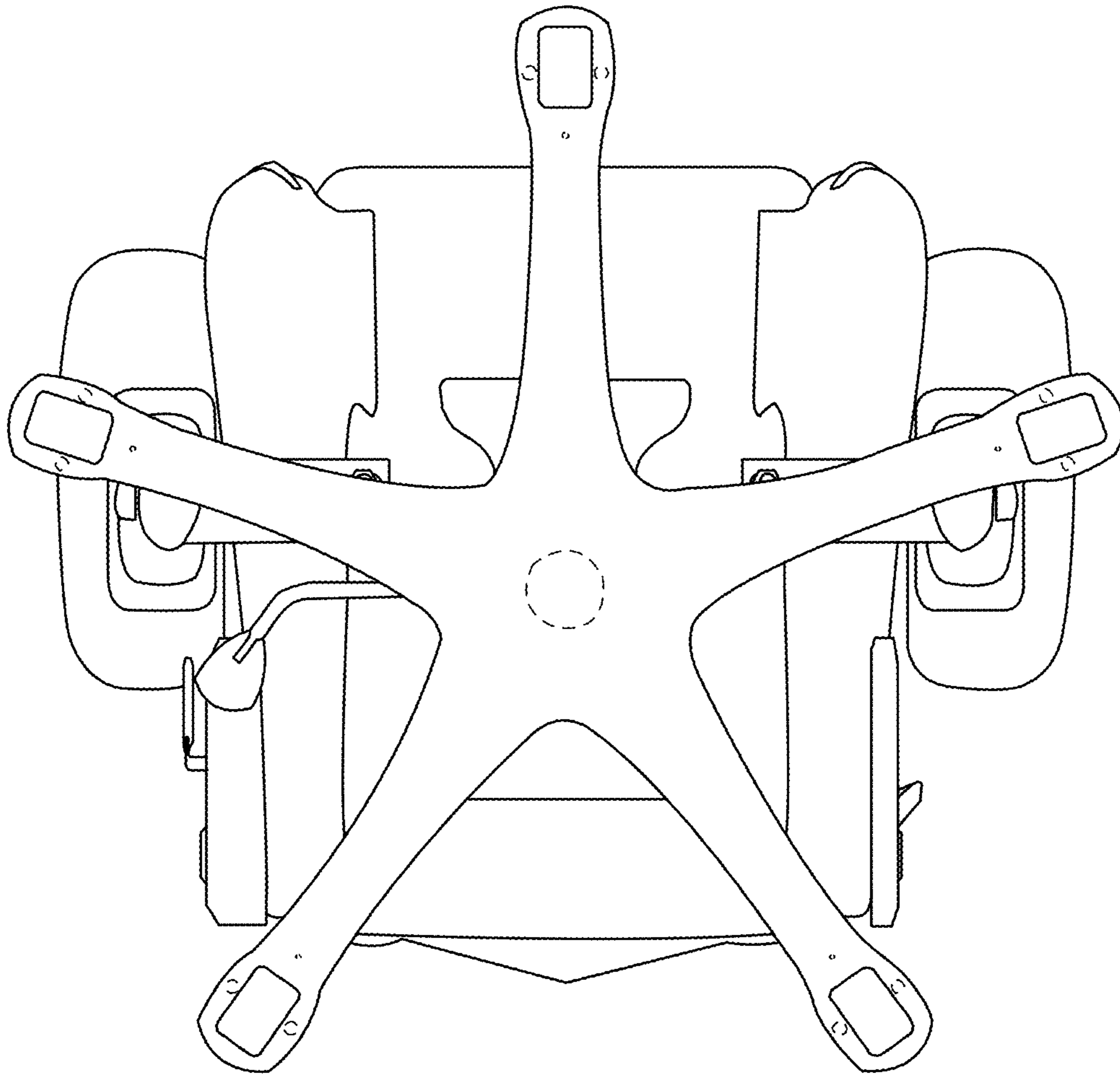


FIG. 7